

2.0t-3.8t A 系列内燃平衡重式叉车

2.0t-3.8t A Series Internal Combustion Counterbalanced Forklift Truck

零件目录
PARTS CATALOG

Hangcha Forklift Parts Manual

CPCD35 HC Hangcha Fork Lift Truck Hangcha A-Series 2.0-3.8T Internal Combustion Counterbalanced Forklift Truck

This catalog collects all of the components in a series of 2.0-3.8ton A forklift trucks.

Noted:

1. Looking up the series number of the part in the drawing of the assembly, in which the part is in the catalog, and then the codes of the drawing and standard of the part in terms of the series number.
- 2.No noted are all of the interchangeable parts and components, non-interchangeable parts and components are noted that which model can be applied, and it will be noted at the top right corner of the catalog and corresponding remark.
3. Container forklift truck and CP series truck are the same except for the lifting system.
4. For Mast parts see "2.0-3.8t A-Series Internal Combustion Counterbalanced Forklift Truck Mast Parts Catalog".



Anhui Leading Forklift Parts Co., Ltd.
www.leadingforkliftparts.com
www.youtube.com/@leadingforkliftparts



2.0t-3.8t A 系列内燃平衡重式叉车

2.0t-3.8t A Series Internal Combustion Counterbalanced Forklift Truck

零件目录 PARTS CATALOG

09/2020



杭叉集团股份有限公司
HANGCHA GROUP CO., LTD.

全国客服热线：400-884-7888

- 地址：中国浙江临安经济开发区东环路 88 号
- 电话：0571-88926666（总机号）85191117
- 传真：0571-85131772 ■ 邮编：311305
- 网站：<http://www.zjhc.cn> ■ 电子邮件：sales@zjhc.cn

- Address For: OVERSEAS USERS
- Address: 88 Donghuan Road, Lin'an Economic Development Zone, Zhejiang, China
- Fax: 0086-571-88926789 0086-571-88132890 ■ ZIP:311305
- Web: <http://www.hcforklift.com> ■ E-mail: sales@hcforklift.com

说 明

- 1、本“零件目录”汇集了 2.0t -3.8t A 系列各种叉车的零部件。
- 2、查询方法：
 - ① 用户可根据目录中各总成图查找所需的零部件的序号，根据序号可查得相应的图号或标准号。
 - ② 本目录中凡各种叉车通用的零件在目录中不加说明，不通用件除了在目录的右上角表示此总成所适用的车型代号和车型外，还在相应的备注予以区别。
- 3、订购零件时，须写明所用叉车的型号，出厂编号，所需零部件代号、名称及订购数量。
- 4、维修更换零部件时，为确保质量，请使用本公司零部件。
- 5、为提高质量，本公司将对某些零部件进行改进，对改进部分在本目录中不能同时一一修改，请用户谅解，欲了解详细情况可与本公司销售公司及备件处联系。
- 6、-X 集装箱叉车，除门架不同外，其余完全通用。
- 7、门架另见《2.0t-3.8t A 系列内燃平衡重式叉车 门架零件目录》。

INFORMATION

- I .This catalogue collects all of the parts (components)in series of 2.0-3.8ton A fork lift trucks.
- II .Looking up methods:
 - I) First looking up the series number of the part (component) in the drawings of the assembly, in which the part (component) is in the catalogue and then the codes of the drawing and standard of the part (the component) in terms of the series number.
 - II) No noted are all of the interchangeable parts and components ,non-interchangeable parts and components are noted that which model can be applied, and it will be noted at top righter corner of catalogue and corresponding remark..
- III. **Model, series Number, code Number of drawing and quantity should be given when ordering the spare parts.**
- IV. It is recommended to use the parts and components made by us for ideal the service and maintenance.
- V . We reserve the right of the change of the truck in construction for improving our products without notice. For the details of changes, please consult with sales department of Hangzhou Forklift Truck Co., ltd.
- VI. Container fork lift truck and CP series truck is same except of the lifting system.
- VII. Mast see “2.0-3.8t A Series Internal Combustion Counterbalanced Forklift Truck **Mast Parts Catalog**”.

© 2020 年 09 月 杭叉集团股份有限公司 © 09/2020 HANGCHA GROUP CO., LTD.

注:

G1 车是在 G2 车基础上换装 A495BPG-4 发动机。
G5 车是在 G2 车基础上换装 A490BPG-7 发动机。
G27 车是在 G2 车基础上换装 A495BPG-501 发动机。
G31 车是在 G2 车基础上换装 A498BPG-503 发动机。
其余均同相同配置的 G2 车。

Note:

G1 trucks are separately installed A495BPG-4 engines based on trucks with G2.
G5 trucks are separately installed A490BPG-7 engines based on trucks with G2.
G27 trucks are separately installed A495BPG-501 engines based on trucks with G2.
G31 trucks are separately installed A498BPG-503 engines based on trucks with G2
The rest are the same with the configuration of the G2 forklift truck.

缩写及代码:	Abbreviations and codes:
Ⓐ Ⓐ① Ⓑ 车型代号	Ⓐ Ⓐ① Ⓑ Model numbers
A1,A2,A3 总成序号	A1,A2,A3 Item,Assy
Assy 总成或组件	Assy Assembly
INC 包含	INC Including
OPS 感知系统	OPS Operator Presence Sensing
<2013-01-01..... 2013 年 1 月 1 日前生产的叉车	<2013-01-01.....The forklift produced before January 1, 2013.
≥2013-01-01..... 2013 年 1 月 1 日后生产的叉车	≥2013-01-01.....The forklift produced after January 1, 2013.

目 录 CONTENTS

第一部分	传动系统	PART I	DRIVING SYSTEM	1-A
第二部分	转向系统	PART II	STEERING SYSTEM	2-A
第三部分	动力系统	PART III	POWER SYSTEM	3-A
第四部分	车身系统	PART IV	BODY SYSTEM	4-A
第五部分	操纵系统	PART V	CONTROLLING SYSTEM	5-A
第六部分	液压系统	PART VI	HYDRAULIC SYSTEM	6-A
第七部分	电气系统	PART VII	ELECTRICAL SYSTEM	7-A
第八部分	驾驶室	PART VIII	CAB SYSTEM	8-A

第一部分 传动系统目录

Part I Driving system contents

Ⓐ CPC30/35/38-AG2	Ⓐ ¹ CPCD30/35/38-AG2	Ⓐ ² CPC30/35-AG2-Z	Ⓐ ³ CPCD30/35/38-AG2E
Ⓑ CPC20/25-AG2	Ⓑ ¹ CPCD20/25-AG2	⑦ CPCD20/25-AW55	Ⓑ ³ CPCD20/25-AG2E
Ⓒ CPC30/35/38-AG32	Ⓒ ¹ CPCD30/35/38-AG32	Ⓒ ² CPC38-AXG32	Ⓒ ³ CPCD38-AXG32
Ⓓ CPC20/25-AG32	Ⓓ ¹ CPCD20/25-AG32	Ⓕ CPC20/25-AW10	Ⓕ ¹ CPCD20/25-AW10
Ⓔ CPC30-AW10	Ⓔ ¹ CPCD30-AW10	Ⓔ ² CPC30-AXW10	Ⓔ ³ CPCD30-AXW10
Ⓒ ³ CPC30/35/38-AW13	Ⓒ ³ CPCD30/35/38-AW13	Ⓖ ¹ CPC20/25-AW13	Ⓖ ¹ CPCD20/25-AW13
Ⓘ ¹ CPC30/35/38-AW27	Ⓘ ¹ CPCD30/35/38-AW27	Ⓙ ¹ CPC20/25-AW27	Ⓙ ¹ CPCD20/25-AW27
Ⓚ ¹ CPQ30/35/38-AW7	Ⓚ ¹ CPQD30/35/38-AW7	Ⓛ ¹ CPQ20/25-AW7	Ⓛ ¹ CPQD20/25-AW7
Ⓜ ¹ CPCD30/35-AW67	Ⓜ ¹ CPCD20/25-AW67	Ⓞ ⁵ CPC30/35-AG52-Z	Ⓞ ⁶ CPC30/35-AG52G-Z
Ⓞ ¹ CPC30/35/38-AG51	Ⓞ ¹ CPCD30/35/38-AG51	Ⓞ ² CPC30/35-AG51-Z	Ⓞ ³ CPCD30/35-AXG51
Ⓞ ⁴ CPC30/35-AXG51	Ⓞ ⁵ CPC30/35-AG51G-Z	Ⓟ ¹ CPC20/25-AG51	Ⓟ ¹ CPCD20/25-AG51
Ⓞ ¹ CPC30/35/38-AG52	Ⓞ ¹ CPCD30/35/38-AG52	Ⓞ ³ CPCD30/35-AXG52	Ⓞ ⁴ CPC30/35-AXG52
Ⓡ ¹ CPC20/25-AG52	Ⓡ ¹ CPCD20/25-AG52	① CPC30/35-AG69-Z	② CPC30/35-AG69G-Z
Ⓢ ¹ CPC30/35/38-AG2J	Ⓢ ¹ CPCD30/35/38-AG2J	Ⓢ ² CPC30/35-AG2J-Z	Ⓢ ² CPC30/35-AG70J-Z
Ⓣ ¹ CPC20/25-AG2J	Ⓣ ¹ CPCD20/25-AG2J	Ⓢ ³ CPC30/35-AG70JG-Z	⑧ CPCD30/35/38-AW55
Ⓤ ¹ CPC30/35/38-AG65J	Ⓤ ¹ CPCD30/35/38-AG65J	Ⓤ ² CPC30/35-AG65J-Z	Ⓤ ³ CPCD30/35-AXG65J
Ⓤ ⁴ CPC30/35-AG65JG-Z	Ⓤ ⁶ CPC30/35-AXG65J	Ⓥ ¹ CPC20/25-AG65J	Ⓥ ¹ CPCD20/25-AG65J
Ⓦ ¹ CPC30/35/38-AG70	Ⓦ ¹ CPCD30/35/38-AG70	Ⓧ ¹ CPC20/25-AG70	Ⓧ ¹ CPCD20/25-AG70
Ⓨ ¹ CPC30/35/38-AG70J	Ⓨ ¹ CPCD30/35/38-AG70J	Ⓨ ² CPC20/25-AG70J	Ⓨ ² CPCD20/25-AG70J
③ CPC20/25-AG69	④ CPC30/35/38-AG69	⑤ CPCD20/25-AG69	⑥ CPCD30/35/38-AG69

序号 Item	名称 Description	适用车型 Serial No.	页码 Page
图 1 Fig.1	传动系统 Driving system	A A2 B C C2 D E E2 F G H I J K L O P Q R Q2 Q4 Q5 S S2 T U V W X Y Z U6 U2 U4 1 2 V2 Y Q5 Q6 3 4	1-1
图 2-1 Fig.2-1	2.0t-3.5t 离合器, 机械式 2.0t-3.5t Clitch, Mechanical	A A2 B C D E E2 F G H I J O P Q R Q2 Q4 S S2 T U V W X Y Z U6 1 2 V2 Q5 U2	1-6
图 2-2 Fig.2-2	2.0t-3.5t 离合器, 机械式 2.0t-3.5t Clitch, Mechanical	K L	1-11
图 2-3 Fig.2-3	3.8t AGZ309-130000-000, 机械式 中柴 3.8t Clitch, Mechanical,Zhongchai	3.8t 机械车,中柴 3.8t Mechanical Fork, Zhongchai	1-13
图 3 Fig.3	传动系统 Driving system	A1 A3 B1 B3 C1 D1 E1 E3 F1 G1 H1 I1 J1 K1 L1 M1 N1 O1 P1 Q1 R1 Q2 S1 T1 U1 V1 W1 X1 Y1 Z1 U3 5 6 7 8 9 10	1-16
图 3-1 Fig.3-1	冷却油管总成 Cooling oil pipe assy	A1 A3 B1 B3 C1 D1 E1 E3 F1 G1 H1 I1 J1 K1 L1 M1 N1 O1 P1 Q1 R1 Q2 S1 T1 U1 V1 W1 X1 Y1 Z1 U3 5 6 7 8 9 10	1-20
图 4-1 Fig.4-1	3.0t-3.8t 前轮 (单轮) 3.0t-3.8t Front wheel (Single tyre)	3.0t-3.8t 全部车型/All models of truck	1-22
图 4-2 Fig.4-2	2.0t-2.5t 前轮 (单轮) 2.0t-2.5t Front wheel (Single tyre)	2.0t-2.5t 全部车型/All models of truck	1-23
图 5-1 Fig.5-1	3.0t-3.8t 前轮 (双轮) 3.0t-3.8t Front wheel (Double tyre)	3.0t-3.8t 全部车型/All models of truck	1-24
图 5-2 Fig.5-2	2.0t-2.5t 前轮 (双轮) 2.0t-2.5t Front wheel (Double tyre)	2.0t-2.5t 全部车型/All models of truck	1-26
图 6 Fig.6	驱动桥 Drive axle	2.0t-3.8t 全部车型/All models of truck	1-28
图 7-1 Fig.7-1	左制动器总成 Brake assy,LH	3.0t-3.8t 全部车型/All models of truck	1-35
图 7-2 Fig.7-2	右制动器总成 Brake assy,RH	3.0t-3.8t 全部车型/All models of truck	1-38
图 7-3 Fig.7-3	左制动器总成 Brake assy,LH	2.0t-2.5t 全部车型/All models of truck	1-41
图 7-4 Fig.7-4	右制动器总成 Brake assy,RH	2.0t-2.5t 全部车型/All models of truck	1-43

序号 Item	名称 Description	适用车型 Serial No.	页码 Page
绍兴变速箱适用吨位为: 1.0t-3.5t ShaoXing transmission suitable tonnage: 1.0t-3.5t			
图 8 Fig.8	变速箱 (机械式 其 1) 绍兴 Transmission(clutch type Part-1) ShaoXing	1.0t-3.5t 机械变速箱 Mechanical Transmission	1-46
图 9 Fig.9	变速箱 (机械式 其 2) 绍兴 Transmission(clutch type Part-2) ShaoXing	1.0t-3.5t 机械变速箱 Mechanical Transmission	1-49
图 9-a Fig.9-a	主轴组件 (绍兴) Spindle assy (ShaoXing)	1.0t-3.5t 机械变速箱 Mechanical Transmission	1-53
图 10 Fig. 10	变速箱 (液力式) 绍兴 Transmission(tor-con type) ShaoXing	1.0t-3.5t 液力传动变速箱 Hydrodynamic Transmission	1-55
图 11 Fig. 11	液力离合器 (液力式) 绍兴 Hydraulic clutch(tor-con type) ShaoXing	1.0t-3.5t 液力传动变速箱 Hydrodynamic Transmission	1-61
图 12 Fig. 12	盖、控制阀、微动阀 (液力式) 绍兴 Cover control valve & inching valve(tor-con type) ShaoXin	1.0t-3.5t, 选配 Optional YQXD 液力传动变速箱 Hydrodynamic Transmission	1-64
图 13 Fig. 13	盖、控制阀、微动阀 (液力式) 绍兴 Cover control valve & inching valve(tor-con type) ShaoXin	1.0t-3.5t, 标配 Standard YQX 液力传动变速箱 Hydrodynamic Transmission	1-67
图 14 Fig. 14	减速器和差速器 (绍兴) Reduction & differential (ShaoXing)	全部车型 All models of truck	1-69
图 15 Fig. 15	供油泵 (液力式) 绍兴 Charging pump(tor-con type) ShaoXing	1.0t-3.5t 液力传动变速箱 Hydrodynamic Transmission	1-73
中南变速箱适用吨位为: 1.0t-3.5t ZhongNan transmission suitable tonnage: 1.0t-3.5t			
图 16 Fig. 16	变速箱 (机械式 其 1) 中南 Transmission(clutch type Part-1) ZhongNan	1.0t-3.5t 机械变速箱 Mechanical Transmission	1-74
图 17 Fig. 17	变速箱 (机械式 其 2) 中南 Transmission(clutch type Part-2) ZhongNan	1.0t-3.5t 机械变速箱 Mechanical Transmission	1-77
图 18 Fig. 18	变速箱 (液力式) 中南 Transmission(tor-con type) ZhongNan	1.0t-3.5t 液力传动变速箱 Hydrodynamic Transmission	1-82
图 19 Fig. 19	液力离合器 (液力式) 中南 Hydraulic clutch(tor-con type) ZhongNan	1.0t-3.5t 液力传动变速箱 Hydrodynamic Transmission	1-88

序号 Item	名称 Description	适用车型 Serial No.	页码 Page
图 20 Fig. 20	DCCT5 控制阀 (液力式) 中南 inching valve(tor-con type) ZhongNan	1.0t-3.5t, 选配 Optional YQXD 液力传动变速箱 Hydrodynamic Transmission	1-90
图 21 Fig. 21	盖、控制阀、微动阀 (液力式) 中南 Cover control valve & inching valve(tor-con type) ZhongNan	1.0t-3.5t, 标配 Standard YQX 液力传动变速箱 Hydrodynamic Transmission	1-93
图 22 Fig. 22	减速器和差速器 (中南) Reduction & differential (ZhongNan)	全部车型 All models of truck	1-96
图 23 Fig. 23	供油泵 (液力式) 中南 Charging pump(tor-con type) ZhongNan	1.0t-3.5t 液力传动变速箱 Hydrodynamic Transmission	1-101
中柴变速箱适用吨位为: 1.0t-3.8t. 注: 3.8t 叉车仅装配中柴变速箱。 ZhongChai transmission suitable tonnage: 1.0t-3.8t. Note: 3.8t forklift with only ZhongChai transmission.			
图 24 Fig.24	变速箱 (机械式 其 1) 中柴 Transmission(clutch type Part-1) ZhongChai	1.0t-3.8t 机械变速箱 Mechanical Transmission	1-102
图 25 Fig.25	变速箱 (机械式 其 2) 中柴 Transmission(clutch type Part-2) ZhongChai	1.0t-3.8t 机械变速箱 Mechanical Transmission	1-105
图 26 Fig.26	变速箱(液力式) (1) 中柴 Transmission(tor-con type) (1) ZhongChai	1.0t-3.8t 液力传动变速箱 Hydrodynamic Transmission	1-110
图 27 Fig.27	变速箱(液力式) (2) 中柴 Transmission(tor-con type) (2) ZhongChai	1.0t-3.8t 液力传动变速箱 Hydrodynamic Transmission	1-115
图 28 Fig.28	液力离合器总成, 中柴 Hydraulic Clutch assy, ZhongChai	1.0t-3.8t 液力传动变速箱 Hydrodynamic Transmission	1-118
图 29 Fig.29	微动阀, 中柴 Inching valve, ZhongChai	1.0t-3.8t 液力传动变速箱 Hydrodynamic Transmission	1-120
图 30 Fig.30	控制阀, 中柴 Control valve, ZhongChai	1.0t-3.8t 液力传动变速箱 Hydrodynamic Transmission	1-121
图 31 Fig.31	供油泵, 中柴 Oil pump, ZhongChai	1.0t-3.8t 液力传动变速箱 Hydrodynamic Transmission	1-123
图 32 Fig.32	减速传动和差速器部分, 中柴 Reduction gear and Differential part, ZhongChai	1.0t-3.8t 全部车型 All models of truck	1-125

序号 Item	名称 Description	适用车型 Serial No.	页码 Page
赣州变速箱适用吨位为: 2.0t-3.5t GanZhou transmission suitable tonnage: 2.0t-3.5t			
图 33 Fig.33	变速箱（机械式 其 1）赣州 Transmission(clutch type Part-1) GanZhou	2.0t-3.5t 机械变速箱 Mechanical Transmission	1-128
图 34 Fig.34	变速箱（机械式 其 2）赣州 Transmission(clutch type Part-2) GanZhou	2.0t-3.5t 机械变速箱 Mechanical Transmission	1-130
图 35 Fig.35	主轴组件（赣州） Spindle assy (GanZhou)	2.0t-3.5t 机械变速箱 Mechanical Transmission	1-132
图 36 Fig.36	减速器和差速器（赣州） Reduction & differential (GanZhou)	2.0t-3.5t 全部车型 All models of truck	1-134

图 1 传动系统
Fig.1 Driving system

- | | | | |
|----------------------|----------------------|----------------------|---------------------|
| Ⓐ CPC30/35/38-AG2 | Ⓑ CPC20/25-AG2 | Ⓒ CPC30/35/38-AG32 | Ⓒ② CPC38-AXG32 |
| Ⓓ CPC20/25-AG32 | Ⓔ CPC30-AW10 | Ⓖ CPC20/25-AW10 | Ⓒ③ CPC30/35/38-AW13 |
| Ⓕ CPC20/25-AW13 | Ⓘ CPC30/35/38-AW27 | Ⓙ CPC20/25-AW27 | Ⓖ④ CPC30/35/38-AW7 |
| Ⓖ CPC20/25-AW7 | Ⓐ② CPC30/35-AG2-Z | ⓪ CPC30/35/38-AG51 | Ⓖ⑤ CPC20/25-AG51 |
| Ⓖ① CPC30/35/38-AG52 | Ⓖ① CPC20/25-AG52 | Ⓖ② CPC30/35-AG51-Z | Ⓖ⑥ CPC30-AXW10 |
| Ⓖ④ CPC30/35-AXG51 | Ⓖ⑤ CPC30/35/38-AG2J | Ⓖ③ CPC30/35-AG2J-Z | Ⓖ⑦ CPC20/25-AG2J |
| Ⓖ⑤ CPC30/35-AXG52 | Ⓖ⑥ CPC30/35/38-AG65J | Ⓖ④ CPC30/35-AG51G-Z | Ⓖ⑧ CPC20/25-AG65J |
| Ⓖ⑦ CPC30/35/38-AG70 | Ⓖ⑦ CPC20/25-AG70 | Ⓖ⑤ CPC30/35/38-AG70J | Ⓖ⑨ CPC20/25-AG70J |
| Ⓖ⑧ CPC30/35-AG65J-Z | Ⓖ⑧ CPC30/35-AG65JG-Z | Ⓖ⑥ CPC30/35-AG70J-Z | Ⓖ⑩ CPC30/35-AXG65J |
| Ⓖ⑨ CPC30/35-AG69-Z | Ⓖ⑨ CPC30/35-AG69G-Z | Ⓖ⑦ CPC30/35-AG70JG-Z | Ⓖ⑪ CPC30/35-AG52-Z |
| Ⓖ⑩ CPC20/25-AG69 | Ⓖ⑩ CPC30/35/38-AG69 | Ⓖ⑧ CPCD20/25-AG69 | Ⓖ⑫ CPC30/35-AG52G-Z |
| Ⓖ⑪ CPCD30/35/38-AG69 | | | |

序号 Item	物料码 Part No.	名称 Description	数量 Qty	备注或适用车型 Remarks or Serial No.
1	A250-110000-000	驱动桥总成 Drive axle assy	1	2.0t-2.5t 见图6 See Fig.6
1	A300-110000-000	驱动桥总成 Drive axle assy	1	3.0t-3.8t 见图6 See Fig.6
2	N150-100001-000	纸垫 Gasket	1	<2014-10-15
2	159895	1598H 密封胶 1598H Salant	按需 Need	≥2014-10-15
3	G000120-010035-01	销 B10×35 Pin B10×35	1	
4	G000093-000010-00	垫圈 12 Washer 12	12	
5	G005783-012040-00	螺栓 M12×40 Bolt M12×40	10	
6	G005783-012030-00	螺栓 M12×30 Bolt M12×30	2	
7	JDS30-G00	机械变速箱 Mechanical transmission	1	2.0t-3.5t, <2013-01-01 除外/Except Ⓐ②
7	A300-120000-G00	机械变速箱 Mechanical transmission	1	2.0t-3.5t, ≥2013-01-01 除外 /Except Ⓐ② Ⓒ② Ⓖ② Ⓖ⑧ Ⓖ⑨

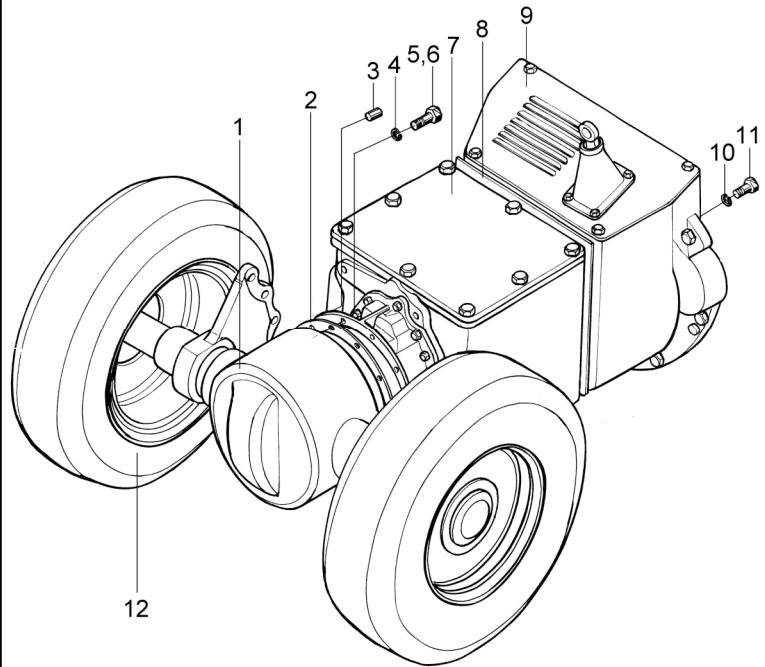


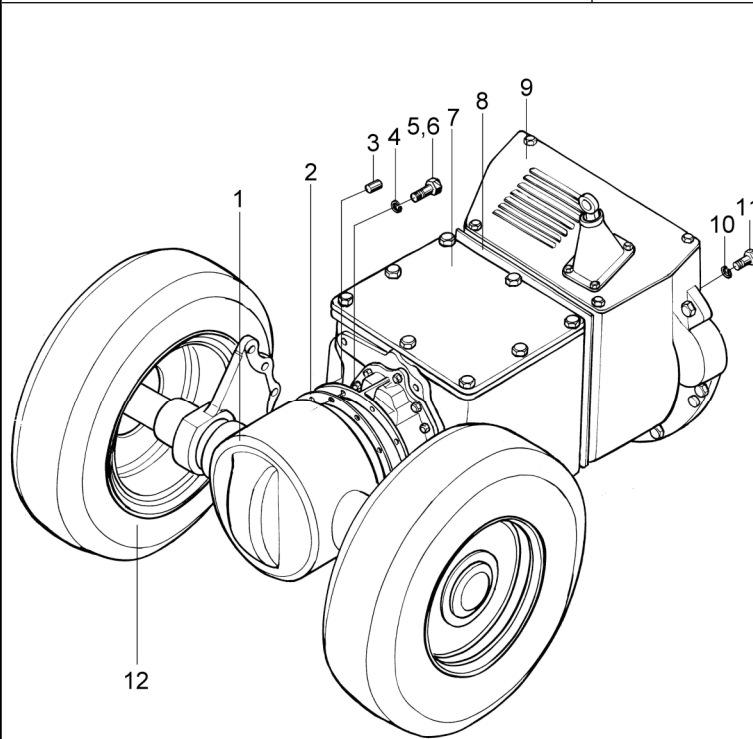
图 1 传动系统
Fig.1 Driving system

- | | | | |
|--------------------|---------------------|---------------------|--------------------|
| Ⓐ CPC30/35/38-AG2 | Ⓑ CPC20/25-AG2 | Ⓒ CPC30/35/38-AG32 | Ⓓ CPC38-AXG32 |
| Ⓓ CPC20/25-AG32 | Ⓔ CPC30-AW10 | Ⓕ CPC20/25-AW10 | Ⓖ CPC30/35/38-AW13 |
| Ⓕ CPC20/25-AW13 | Ⓖ CPC30/35/38-AW27 | Ⓖ CPC20/25-AW27 | Ⓖ CPQ30/35/38-AW7 |
| Ⓖ CPQ20/25-AW7 | Ⓖ CPC30/35-AG2-Z | Ⓖ CPC30/35/38-AG51 | Ⓖ CPC20/25-AG51 |
| Ⓖ CPC30/35/38-AG52 | Ⓖ CPC20/25-AG52 | Ⓖ CPC30/35-AG51-Z | Ⓖ CPC30-AXW10 |
| Ⓖ CPC30/35-AXG51 | Ⓖ CPC30/35/38-AG2J | Ⓖ CPC30/35-AG2J-Z | Ⓖ CPC20/25-AG2J |
| Ⓖ CPC30/35-AXG52 | Ⓖ CPC30/35/38-AG65J | Ⓖ CPC30/35-AG51G-Z | Ⓖ CPC20/25-AG65J |
| Ⓖ CPC30/35/38-AG70 | Ⓖ CPC20/25-AG70 | Ⓖ CPC30/35/38-AG70J | Ⓖ CPC20/25-AG70J |
| Ⓖ CPC30/35-AG65J-Z | Ⓖ CPC30/35-AG65JG-Z | Ⓖ CPC30/35-AG70J-Z | Ⓖ CPC30/35-AXG65J |
| Ⓖ CPC30/35-AG69-Z | Ⓖ CPC30/35-AG69G-Z | Ⓖ CPC30/35-AG70JG-Z | Ⓖ ③ ④ ⑤ ⑥ |

序号 Item	物料码 Part No.	名称 Description	数量 Qty	备注或适用车型 Remarks or Serial No.
7	AZ300-120000-G01	机械变速箱 Mechanical transmission JDS30H	1	Ⓖ Ⓖ Ⓖ Ⓖ Ⓖ Ⓖ
	另见 JDS30H 高速机械变速箱目录 See also JDS30H Mechanical transmission Gearbox Parts catalog			
A1	A380-120000-G00	机械变速箱加离合器总成 JDS37 II Mechanical transmission & Clutch	1	3.8t Ⓖ <2013-01-01 中柴,包含/INC:7,9
A1	A380-120000-G01		1	3.8t Ⓖ ≥2013-01-01 Ⓖ Ⓖ Ⓖ Ⓖ Ⓖ Ⓖ Ⓖ 中柴,包含/INC:7,9
A2	A381-120000-G00	机械变速箱加离合器总成 JDS37 II B1 Mechanical transmission & Clutch	1	3.8t Ⓖ Ⓖ <2013-01-01 中柴,包含/INC:7,9
A2	A381-120000-G01		1	3.8t Ⓖ Ⓖ ≥2013-01-01 Ⓖ, 中柴,包含/INC:7,9
A3	A382-120000-G00	机械变速箱加离合器总成 JDS37 II A-3 A-3 Mechanical transmission & Clutch	1	3.8t Ⓖ, 中柴,包含/INC:7,9
A4	A386-120000-G00	机械变速箱加离合器总成 JDS37 II J-3 Mechanical transmission & Clutch	1	3.8t Ⓖ 中柴,包含/INC:7,9

图 1 传动系统
Fig.1 Driving system

- | | | | |
|---------------------|----------------------|----------------------|---------------------|
| Ⓐ CPC30/35/38-AG2 | Ⓑ CPC20/25-AG2 | Ⓒ CPC30/35/38-AG32 | Ⓒ② CPC38-AXG32 |
| Ⓓ CPC20/25-AG32 | Ⓔ CPC30-AW10 | Ⓕ CPC20/25-AW10 | Ⓒ③ CPC30/35/38-AW13 |
| Ⓗ CPC20/25-AW13 | Ⓛ CPC30/35/38-AW27 | Ⓖ CPC20/25-AW27 | Ⓒ④ CPC30/35/38-AW7 |
| Ⓛ CPQ20/25-AW7 | Ⓐ② CPC30/35-AG2-Z | Ⓞ CPC30/35/38-AG51 | Ⓒ⑤ CPC20/25-AG51 |
| Ⓞ CPC30/35/38-AG52 | Ⓖ CPC20/25-AG52 | Ⓞ② CPC30/35-AG51-Z | Ⓔ CPC30-AXW10 |
| Ⓞ④ CPC30/35-AXG51 | Ⓢ CPC30/35/38-AG2J | Ⓢ② CPC30/35-AG2J-Z | Ⓒ⑥ CPC20/25-AG2J |
| Ⓞ④ CPC30/35-AXG52 | Ⓞ④ CPC30/35/38-AG65J | Ⓞ⑤ CPC30/35-AG51G-Z | Ⓒ⑦ CPC20/25-AG65J |
| Ⓞ⑤ CPC30/35/38-AG70 | Ⓞ⑤ CPC20/25-AG70 | Ⓞ⑥ CPC30/35/38-AG70J | Ⓒ⑧ CPC20/25-AG70J |
| Ⓞ⑥ CPC30/35-AG65J-Z | Ⓞ⑥ CPC30/35-AG65JG-Z | Ⓞ⑦ CPC30/35-AG70J-Z | Ⓞ⑨ CPC30/35-AXG65J |
| ① CPC30/35-AG69-Z | ② CPC30/35-AG69G-Z | Ⓞ⑧ CPC30/35-AG70JG-Z | Ⓞ⑩ CPC30/35-AG52-Z |
| ③ CPC20/25-AG69 | ④ CPC30/35/38-AG69 | ⑤ CPC20/25-AG69 | Ⓞ⑪ CPC30/35-AG52G-Z |
| ⑥ CPC30/35/38-AG69 | | | |



序号 Item	物料码 Part No.	名称 Description	数量 Qty	备注或适用车型 Remarks or Serial No.
7	A380-121000-W00	机械变速箱 Mechanical transmission	1	3.8t 中柴 Ⓐ Ⓒ
7	A380-121000-W01	机械变速箱 Mechanical transmission	1	3.8t 中柴, ≥ 2013-01-01 Ⓐ Ⓒ Ⓞ Ⓞ④ Ⓢ
7	A381-121000-W00	机械变速箱 Mechanical transmission	1	3.8t 中柴 Ⓒ①
7	A381-121000-W01	机械变速箱 Mechanical transmission	1	3.8t 中柴 Ⓒ① Ⓒ②
7	A386-121000-W00	机械变速箱 Mechanical transmission	1	3.8t 中柴 Ⓚ
7	AGZ309-120000-G00	机械变速箱 Mechanical transmission	1	Ⓞ⑤ Ⓞ⑥ ② Ⓞ⑧ Ⓞ⑨
另见 AGZ309-120000-G00 高速机械变速箱目录 See also AGZ309-120000-G00 Mechanical transmission Gearbox Parts catalog				
8	30HB-100002	纸垫 Gasket	1	2.0t-3.5t
8	J30H-07002	纸垫 Gasket	1	3.8t 中柴
9	30HB-120000	离合器 Clutch	1	2.0t-3.5t Ⓐ Ⓑ Ⓐ② Ⓒ② Ⓞ Ⓞ④ Ⓞ⑤ Ⓞ⑥ Ⓞ⑦ Ⓞ⑧ Ⓞ⑨ Ⓞ⑩ Ⓞ⑪ Ⓞ⑫ Ⓞ⑬ Ⓞ⑭ Ⓞ⑮ Ⓞ⑯ Ⓞ⑰ Ⓞ⑱ Ⓞ⑲ 见图 2-1 See Fig. 2-1

图1 传动系统
Fig.1 Driving system

- | | | | |
|---------------------|----------------------|----------------------|---------------------|
| Ⓐ CPC30/35/38-AG2 | Ⓑ CPC20/25-AG2 | Ⓒ CPC30/35/38-AG32 | Ⓒ② CPC38-AXG32 |
| Ⓓ CPC20/25-AG32 | Ⓔ CPC30-AW10 | Ⓕ CPC20/25-AW10 | Ⓒ③ CPC30/35/38-AW13 |
| Ⓗ CPC20/25-AW13 | Ⓛ CPC30/35/38-AW27 | Ⓖ CPC20/25-AW27 | Ⓒ④ CPC30/35/38-AW7 |
| Ⓛ CPQ20/25-AW7 | Ⓐ② CPC30/35-AG2-Z | Ⓞ CPC30/35/38-AG51 | Ⓒ⑤ CPC20/25-AG51 |
| Ⓞ CPC30/35/38-AG52 | Ⓖ CPC20/25-AG52 | Ⓞ② CPC30/35-AG51-Z | Ⓔ② CPC30-AXW10 |
| Ⓞ④ CPC30/35-AXG51 | Ⓢ CPC30/35/38-AG2J | Ⓢ② CPC30/35-AG2J-Z | Ⓖ① CPC20/25-AG2J |
| Ⓞ④ CPC30/35-AXG52 | Ⓞ① CPC30/35/38-AG65J | Ⓞ⑤ CPC30/35-AG51G-Z | Ⓞ⑥ CPC20/25-AG65J |
| Ⓞ⑥ CPC30/35/38-AG70 | Ⓞ⑧ CPC20/25-AG70 | Ⓞ⑦ CPC30/35/38-AG70J | Ⓞ⑦ CPC20/25-AG70J |
| Ⓞ⑦ CPC30/35-AG65J-Z | Ⓞ④ CPC30/35-AG65JG-Z | Ⓞ⑧ CPC30/35-AG70J-Z | Ⓞ⑧ CPC30/35-AXG65J |
| ① CPC30/35-AG69-Z | ② CPC30/35-AG69G-Z | Ⓞ③ CPC30/35-AG70JG-Z | Ⓞ⑤ CPC30/35-AG52-Z |
| ③ CPC20/25-AG69 | ④ CPC30/35/38-AG69 | ⑤ CPC20/25-AG69 | Ⓞ⑥ CPC30/35-AG52G-Z |
| ⑥ CPC30/35/38-AG69 | | | |

序号 Item	物料码 Part No.	名称 Description	数量 Qty	备注或适用车型 Remarks or Serial No.
9	AGZ309-130000-000	离合器 Clutch	1	Ⓞ⑤ Ⓞ④ ② Ⓞ③ Ⓞ⑥
	另见 AGZ309-120000-G00 高速机械变速箱目录 See also AGZ309-120000-G00 Mechanical transmission Gearbox Parts catalog			
9	30HBG32-110000	离合器 Clutch	1	2.0t-3.5t Ⓒ Ⓓ Ⓛ Ⓞ 见图 2-1 See Fig.2-1
9	A302-120000-000	离合器 Clutch	1	Ⓔ Ⓔ② Ⓕ Ⓒ③ 见图 2-1 See Fig.2-1
9	R836-120000-000	离合器 Clutch	1	Ⓖ Ⓛ See Fig.2-2
9	A380-122000-W00	离合器 Clutch	1	3.8t 中柴 Ⓐ Ⓞ Ⓞ 见图 2-2 See Fig.2-3
9	A382-122000-W00	离合器 Clutch	1	3.8t 中柴 Ⓒ 见图 2-2 See Fig.2-3
9	A381-122000-W00	离合器 Clutch	1	3.8t 中柴 Ⓒ Ⓛ Ⓒ② 见图 2-2 See Fig.2-3
9	A386-122000-W00	离合器 Clutch	1	3.8t 中柴 Ⓖ 见图 2-2 See Fig.2-3
10	G000093-000010-00	垫圈 10 Washer 10	7	
11	G005783-010030-00	螺栓 M10×30 Bolt M10×30	7	

图 1 传动系统
Fig.1 Driving system

- Ⓐ CPC30/35/38-AG2 Ⓑ CPC20/25-AG2 Ⓒ CPC30/35/38-AG32 Ⓓ CPC38-AXG32
- Ⓓ CPC20/25-AG32 Ⓔ CPC30-AW10 Ⓕ CPC20/25-AW10 Ⓖ CPC30/35/38-AW13
- Ⓕ CPC20/25-AW13 Ⓖ CPC30/35/38-AW27 Ⓖ CPC20/25-AW27 Ⓖ CPC30/35/38-AW7
- Ⓖ CPQ20/25-AW7 Ⓖ CPC30/35-AG2-Z Ⓖ CPC30/35/38-AG51 Ⓖ CPC20/25-AG51
- Ⓖ CPC30/35/38-AG52 Ⓖ CPC20/25-AG52 Ⓖ CPC30/35-AG51-Z Ⓖ CPC30-AXW10
- Ⓖ CPC30/35-AXG51 Ⓖ CPC30/35/38-AG2J Ⓖ CPC30/35-AG2J-Z Ⓖ CPC20/25-AG2J
- Ⓖ CPC30/35-AXG52 Ⓖ CPC30/35/38-AG65J Ⓖ CPC30/35-AG51G-Z Ⓖ CPC20/25-AG65J
- Ⓖ CPC30/35/38-AG70 Ⓖ CPC20/25-AG70 Ⓖ CPC30/35/38-AG70J Ⓖ CPC20/25-AG70J
- Ⓖ CPC30/35-AG65J-Z Ⓖ CPC30/35-AG65JG-Z Ⓖ CPC30/35-AG70J-Z Ⓖ CPC30/35-AXG65J
- Ⓖ CPC30/35-AG69-Z Ⓖ CPC30/35-AG69G-Z Ⓖ CPC30/35-AG70JG-Z Ⓖ CPC30/35-AG52-Z
- Ⓖ CPC20/25-AG69 Ⓖ CPC30/35/38-AG69 Ⓖ CPC20/25-AG69 Ⓖ CPC30/35-AG52G-Z
- Ⓖ CPC30/35/38-AG69 Ⓖ CPC30/35/38-AG69 Ⓖ CPC20/25-AG69 Ⓖ CPC30/35-AG52G-Z

序号 Item	物料码 Part No.	名称 Description	数量 Qty	备注或适用车型 Remarks or Serial No.
12		前轮总成(单轮) front wheel assy (Single)	2	3.0t-3.8t 见图 4 See Fig.4
12		内前轮总成(双轮)Inner front wheel assy(double)	2	3.0t-3.8t 见图 5 See Fig.5
12		外前轮总成(双轮)Outer front wheel assy(double)	2	3.0t-3.8t 见图 5 See Fig.5
12		前轮总成(单轮) front wheel assy (Single)	2	2.0t-2.5t 见图 4 See Fig.4
12		内前轮总成(双轮)Inner front wheel assy(double)	2	2.0t-2.5t 见图 5 See Fig.5
12		外前轮总成(双轮)Outer front wheel assy(double)	2	2.0t-2.5t 见图 5 See Fig.5

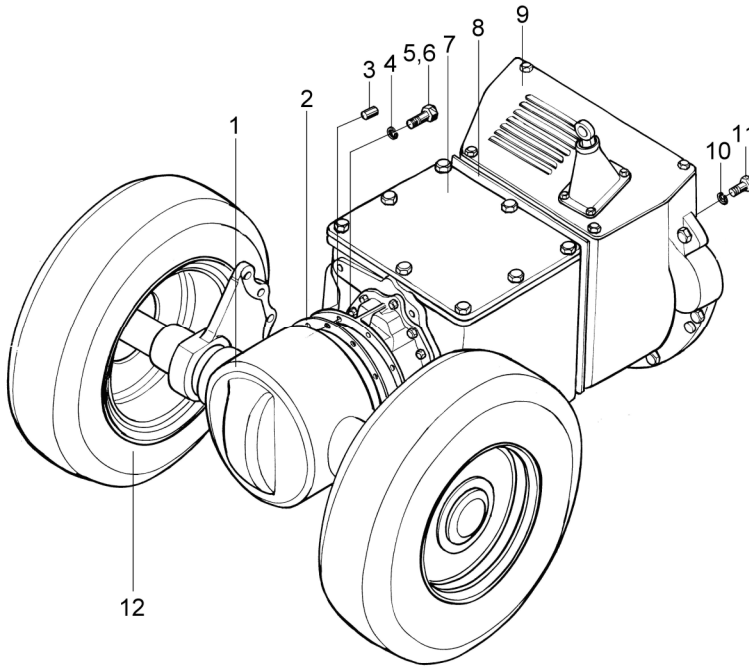
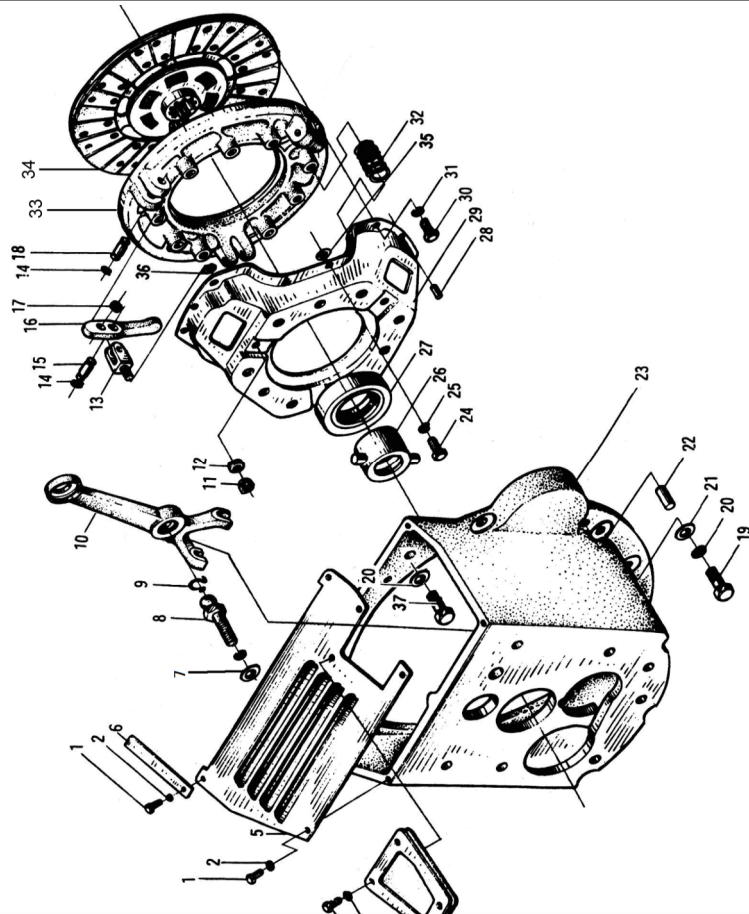


图 2-1 2.0t-3.5t 离合器, 机械式
Fig.2-1 2.0t-3.5t Clutch, Mechanical

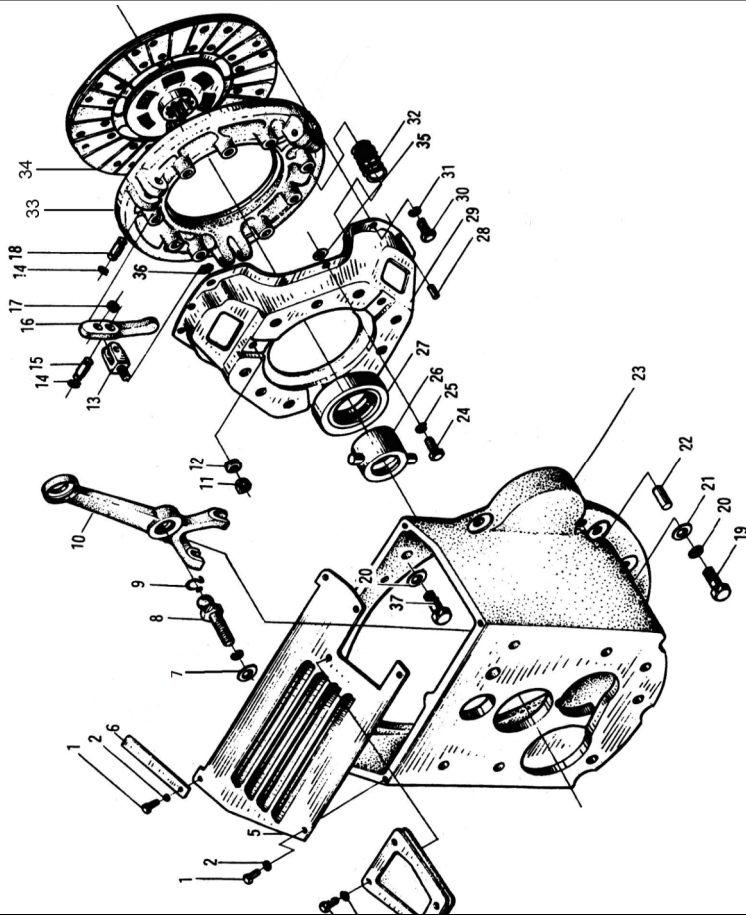
- | | | | |
|--------------------------------|--------------------------------|-------------------------------|----------------------------------|
| Ⓐ CPC30/35-AG2 | Ⓑ CPC20/25-AG2 | Ⓒ CPC30/35-AG32 | Ⓓ CPC20/25-AG32 ② |
| Ⓔ CPC30-AW10 | Ⓕ CPC20/25-AW10 | Ⓖ CPC30/35-AW13 | Ⓗ CPC20/25-AW13 ③ |
| Ⓛ CPC30/35-AW27 | Ⓜ CPC20/25-AW27 | Ⓐ ² CPC30/35-AG2-Z | Ⓒ ² CPC30/35-AG51-Z ④ |
| Ⓞ CPC30/35-AG51 | Ⓟ CPC20/25-AG51 | Ⓠ CPC30/35-AG52 | Ⓡ CPC20/25-AG52 |
| Ⓔ ² CPC30-AXW10 | Ⓒ ⁴ CPC30/35-AXG51 | Ⓢ CPC30/35-AG2J | Ⓣ ² CPC30/35-AG2J-Z |
| Ⓣ CPC20/25-AG2J | Ⓒ ⁴ CPC30/35-AXG52 | Ⓤ CPC30/35-AG65J | Ⓥ CPC20/25-AG65J |
| Ⓦ CPC30/35-AG70 | Ⓧ CPC20/25-AG70 | Ⓨ CPC30/35-AG70J | Ⓩ CPC20/25-AG70J |
| Ⓦ ⁶ CPC30/35-AXG65J | Ⓧ ⁶ CPC30/35-AG52-Z | ① CPC30/35-AG69-Z | Ⓦ ² CPC30/35-AG65J-Z |



序号 Item	物料码 Part NO.	名称 Description	数量 Qty	备注或适用车型 Remarks or Serial NO.
A1	30HB-120000	离合器 Clutch	1	Ⓐ Ⓑ Ⓐ ² Ⓞ Ⓟ Ⓠ Ⓡ Ⓒ ² Ⓒ ⁴ Ⓢ Ⓣ ² Ⓒ ⁴ Ⓤ Ⓥ Ⓦ Ⓧ Ⓨ Ⓩ Ⓦ ⁶ Ⓧ ⁶ ① Ⓦ ² Ⓨ ² ③ ④
A2	30HBG32-120000	离合器 Clutch	1	Ⓒ Ⓓ Ⓛ Ⓜ
A3	A302-120000-000	离合器 Clutch	1	Ⓔ Ⓔ ² Ⓟ Ⓠ Ⓡ Ⓢ
1	N163-420100-000	螺钉组件 Bolt	4	Ⓔ Ⓔ ² Ⓟ Ⓠ Ⓡ Ⓢ
1	G005783-006016-00	螺栓 M6×16 Bolt M6×16	3	除外/Except Ⓔ Ⓔ ² Ⓟ Ⓠ Ⓡ Ⓢ
2	G0000093-000006-00	垫圈 6 Washer 6	3	除外/Except Ⓔ Ⓔ ² Ⓟ Ⓠ Ⓡ Ⓢ
3	30HB-120006	压板 Plate	1	
4	30HB-120007	防尘垫 Gasket	4	
5	30HB-120100	离合器盖 Clutch cover	1	除外/Except Ⓔ Ⓔ ² Ⓟ Ⓠ Ⓡ Ⓢ
5	N150-120004-000	离合器盖 Clutch cover	1	Ⓔ Ⓔ ² Ⓟ Ⓠ Ⓡ Ⓢ
6	30HB-120008	线夹 Clip	2	
7	G000093-000012-00	垫圈 12 Washer 12	1	

图 2-1 2.0t-3.5t 离合器, 机械式
Fig.2-1 2.0t-3.5t Clutch, Mechanical

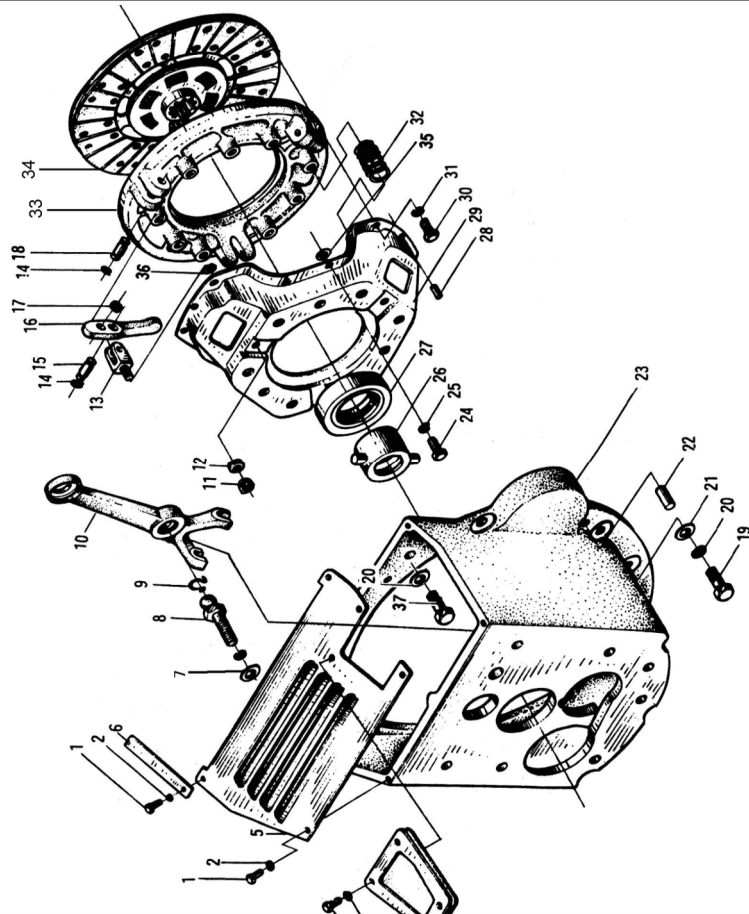
- | | | | |
|--------------------------------|--------------------------------|-------------------------------|----------------------------------|
| Ⓐ CPC30/35-AG2 | Ⓑ CPC20/25-AG2 | Ⓒ CPC30/35-AG32 | Ⓓ CPC20/25-AG32 ② |
| Ⓔ CPC30-AW10 | Ⓕ CPC20/25-AW10 | Ⓖ CPC30/35-AW13 | Ⓗ CPC20/25-AW13 ③ |
| Ⓛ CPC30/35-AW27 | Ⓜ CPC20/25-AW27 | Ⓐ ² CPC30/35-AG2-Z | Ⓒ ² CPC30/35-AG51-Z ④ |
| Ⓞ CPC30/35-AG51 | Ⓟ CPC20/25-AG51 | Ⓠ CPC30/35-AG52 | Ⓡ CPC20/25-AG52 |
| Ⓔ ² CPC30-AXW10 | Ⓒ ⁴ CPC30/35-AXG51 | Ⓢ CPC30/35-AG2J | Ⓣ ² CPC30/35-AG2J-Z |
| Ⓣ CPC20/25-AG2J | Ⓒ ⁴ CPC30/35-AXG52 | Ⓤ CPC30/35-AG65J | Ⓥ CPC20/25-AG65J |
| Ⓦ CPC30/35-AG70 | Ⓧ CPC20/25-AG70 | Ⓨ CPC30/35-AG70J | Ⓩ CPC20/25-AG70J |
| Ⓦ ² CPC30/35-AXG65J | Ⓧ ² CPC30/35-AG52-Z | ① CPC30/35-AG69-Z | Ⓦ ² CPC30/35-AG65J-Z |



序号 Item	物料码 Part NO.	名称 Description	数量 Qty	备注或适用车型 Remarks or Serial NO.
A4	N150-122000-000	离合器压盘 Clutch pressure plate	1	Ⓐ Ⓑ Ⓐ ² Ⓞ Ⓟ Ⓠ Ⓡ Ⓒ ² Ⓒ ⁴ Ⓢ Ⓣ ² Ⓒ ⁴ Ⓤ Ⓥ Ⓦ Ⓧ Ⓨ Ⓩ Ⓦ ² Ⓧ ² ① Ⓦ ² Ⓨ ² ③ ④
A4	30HBG32-121000	离合器压盘 Clutch pressure plate	1	Ⓒ Ⓓ Ⓛ Ⓜ
A4	A302-120000-000	离合器压盘 Clutch pressure plate	1	Ⓔ Ⓔ ² Ⓕ Ⓖ Ⓗ
11	NO PART NO.	支承座螺母 Nut	3	A4:离合器压盘总成 包含序号/INC: 11-18,24-25,29, 32-33,35-36
12	NO PART NO.	分离杆调整座 Adjusting seat	3	
13	NO PART NO.	分离杆支架 Support	3	
14	NO PART NO.	弹性挡圈 Snap ring	12	
15	NO PART NO.	前滚针轴承销 Pin	3	
16	NO PART NO.	分离杠杆 Operating lever	3	
17	NO PART NO.	轴承滚针 Bearing	114	
18	NO PART NO.	后滚针轴承销 Bearing pin	6	
24	NO PART NO.	连接螺栓 Bolt	3	

图 2-1 2.0t-3.5t 离合器, 机械式
Fig.2-1 2.0t-3.5t Clutch, Mechanical

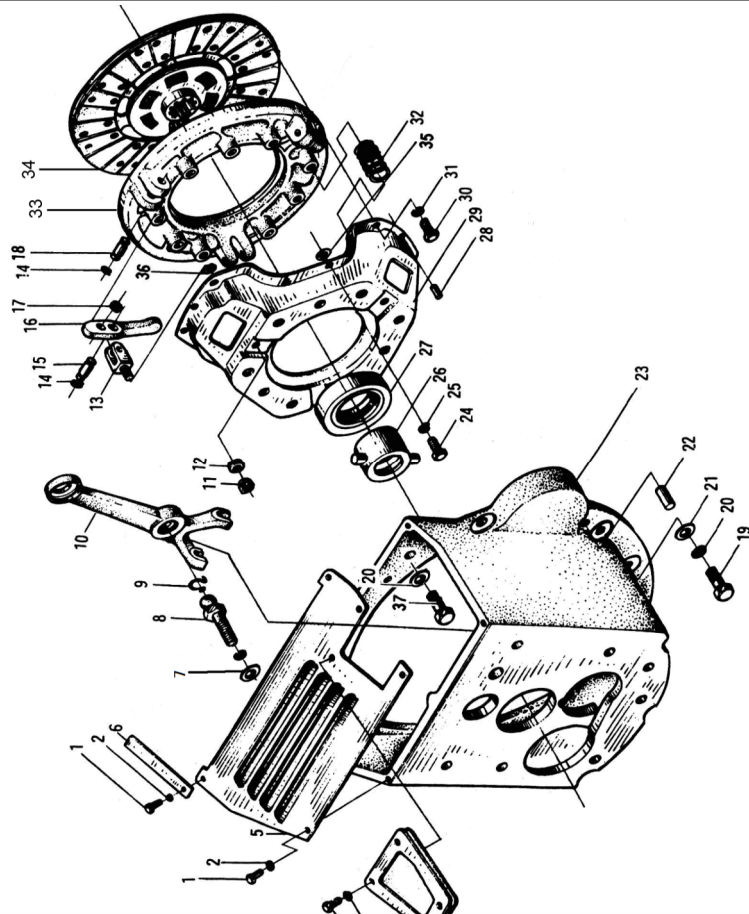
- | | | | |
|--------------------------------|--------------------------------|-------------------------------|----------------------------------|
| Ⓐ CPC30/35-AG2 | Ⓑ CPC20/25-AG2 | Ⓒ CPC30/35-AG32 | Ⓓ CPC20/25-AG32 ② |
| Ⓔ CPC30-AW10 | Ⓕ CPC20/25-AW10 | Ⓖ CPC30/35-AW13 | Ⓗ CPC20/25-AW13 ③ |
| Ⓛ CPC30/35-AW27 | Ⓜ CPC20/25-AW27 | Ⓐ ₂ CPC30/35-AG2-Z | Ⓒ ₂ CPC30/35-AG51-Z ④ |
| Ⓞ CPC30/35-AG51 | Ⓟ CPC20/25-AG51 | Ⓠ CPC30/35-AG52 | Ⓡ CPC20/25-AG52 |
| Ⓔ ₂ CPC30-AXW10 | Ⓞ ₄ CPC30/35-AXG51 | Ⓢ CPC30/35-AG2J | Ⓢ ₂ CPC30/35-AG2J-Z |
| Ⓣ CPC20/25-AG2J | Ⓞ ₄ CPC30/35-AXG52 | Ⓤ CPC30/35-AG65J | Ⓥ CPC20/25-AG65J |
| Ⓦ CPC30/35-AG70 | Ⓧ CPC20/25-AG70 | Ⓨ CPC30/35-AG70J | Ⓩ CPC20/25-AG70J |
| Ⓦ ₆ CPC30/35-AXG65J | Ⓧ ₅ CPC30/35-AG52-Z | ① CPC30/35-AG69-Z | Ⓦ ₂ CPC30/35-AG65J-Z |



序号 Item	物料码 Part NO.	名称 Description	数量 Qty	备注或适用车型 Remarks or Serial NO.
25	NO PART NO.	弹簧垫圈 10 Spring washer 10	3	A4:离合器压盘总成 包含序号/INC: 11-18,24-25,29, 32-33,35-36
29	NO PART NO.	压盘壳 Pressure plate housing	1	
32	NO PART NO.	压盘弹簧 Pressure plate spring	9	
33	NO PART NO.	压盘 Clutch pressure plate	1	
35	NO PART NO.	压盘传动片 Driving disc	6	
36	NO PART NO.	蝶形垫片 Gasket	3	
8	N150-120002-000	分离叉球形支柱 Ball-ended supporting	1	
9	N150-120007-000	挡圈 Snap ring	1	
10	N150-120006-000	分离拨叉 Clutch release fork	1	
19	G005783-010035-00	螺栓 M10×35 Bolt M10×35	7	Ⓐ Ⓑ Ⓐ ₂ Ⓞ Ⓟ Ⓠ Ⓡ Ⓒ ₂ Ⓞ ₄ Ⓢ Ⓢ ₂ Ⓣ Ⓞ ₄ Ⓤ Ⓥ Ⓦ Ⓧ Ⓨ Ⓩ Ⓦ ₆ Ⓧ ₅ ① Ⓦ ₂ Ⓨ ₂ ③ ④
19	G005783-010035-00	螺栓 M10×35 Bolt M10×35	9	Ⓒ Ⓓ Ⓛ Ⓜ
19	G005783-010050-00	螺栓 M10×50 Bolt M10×50	1	Ⓔ Ⓕ Ⓖ Ⓗ

图 2-1 2.0t-3.5t 离合器, 机械式
Fig.2-1 2.0t-3.5t Clutch, Mechanical

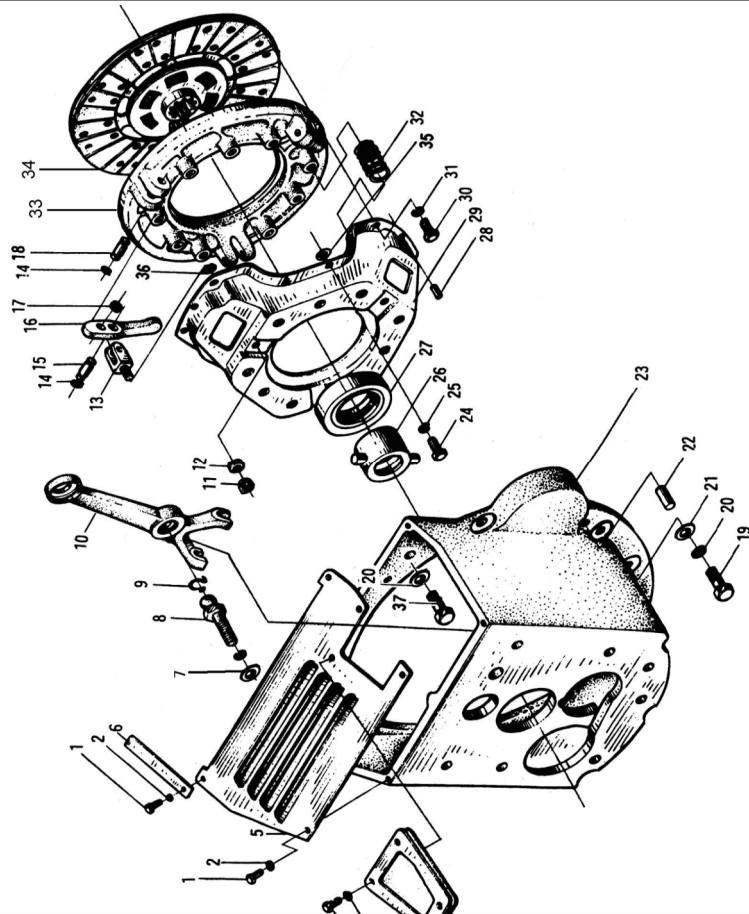
- | | | | |
|--------------------------------|--------------------------------|--------------------------------|----------------------------------|
| Ⓐ CPC30/35-AG2 | Ⓑ CPC20/25-AG2 | Ⓒ CPC30/35-AG32 | Ⓓ CPC20/25-AG32 ② |
| Ⓔ CPC30-AW10 | Ⓕ CPC20/25-AW10 | Ⓖ CPC30/35-AW13 | Ⓗ CPC20/25-AW13 ③ |
| Ⓛ CPC30/35-AW27 | Ⓜ CPC20/25-AW27 | Ⓐ ₂ CPC30/35-AG2-Z | Ⓒ ₂ CPC30/35-AG51-Z ④ |
| Ⓞ CPC30/35-AG51 | Ⓟ CPC20/25-AG51 | Ⓠ CPC30/35-AG52 | Ⓡ CPC20/25-AG52 |
| Ⓔ ₂ CPC30-AXW10 | Ⓞ ₄ CPC30/35-AXG51 | Ⓢ CPC30/35-AG2J | Ⓢ ₂ CPC30/35-AG2J-Z |
| Ⓣ CPC20/25-AG2J | Ⓞ ₄ CPC30/35-AXG52 | Ⓤ CPC30/35-AG65J | Ⓥ CPC20/25-AG65J |
| Ⓦ CPC30/35-AG70 | Ⓧ CPC20/25-AG70 | Ⓨ CPC30/35-AG70J | Ⓩ CPC20/25-AG70J |
| Ⓦ ₆ CPC30/35-AXG65J | Ⓧ ₅ CPC30/35-AG52-Z | Ⓩ ₁ CPC30/35-AG69-Z | Ⓩ ₂ CPC30/35-AG65J-Z |



序号 Item	物料码 Part NO.	名称 Description	数量 Qty	备注或适用车型 Remarks or Serial NO.
20	G000093-000010-00	垫圈 10 Washer 10	9	除外/Except Ⓔ Ⓔ ₂ Ⓕ Ⓖ Ⓗ
20	G000093-000010-00	垫圈 10 Washer 10	8	Ⓔ Ⓔ ₂ Ⓕ Ⓖ Ⓗ
21	G0097P1-000012-00	垫圈 12 Washer 12	1	Ⓐ Ⓑ Ⓐ ₂ Ⓞ Ⓟ Ⓠ Ⓡ Ⓒ ₂ Ⓞ ₄ Ⓢ Ⓢ ₂ Ⓣ Ⓞ ₄ Ⓤ Ⓥ Ⓦ Ⓧ Ⓨ Ⓩ Ⓦ ₆ Ⓧ ₅ ① Ⓦ ₂ Ⓨ ₂ ③ ④
22	G000120-010035-00	销 10×35 Pin 10×35	2	
23	30HB-120001	离合器壳 Clutch housing	1	
26	N150-121000-000	分离轴承套筒 Clutch release collar	1	
27	9688211-G00	分离轴承 Release bearing clutch	1	
28	G000119-006012-01	销 B6×12 Pin B6×12	3	
30	G005783-008025-00	螺栓 M8×25 Bolt M8×25	6	
31	G000093-000008-00	垫圈 8 Washer 8	6	
34	N150-124000-000	Clutch drivendisc assy 离合器从动盘总成	1	

图 2-1 2.0t-3.5t 离合器, 机械式
Fig.2-1 2.0t-3.5t Clutch, Mechanical

- | | | | |
|--------------------------------|--------------------------------|-------------------------------|----------------------------------|
| Ⓐ CPC30/35-AG2 | Ⓑ CPC20/25-AG2 | Ⓒ CPC30/35-AG32 | Ⓓ CPC20/25-AG32 ② |
| Ⓔ CPC30-AW10 | Ⓕ CPC20/25-AW10 | Ⓖ CPC30/35-AW13 | Ⓗ CPC20/25-AW13 ③ |
| Ⓛ CPC30/35-AW27 | Ⓜ CPC20/25-AW27 | Ⓐ ² CPC30/35-AG2-Z | Ⓒ ² CPC30/35-AG51-Z ④ |
| Ⓞ CPC30/35-AG51 | Ⓟ CPC20/25-AG51 | Ⓠ CPC30/35-AG52 | Ⓡ CPC20/25-AG52 |
| Ⓔ ² CPC30-AXW10 | Ⓒ ⁴ CPC30/35-AXG51 | Ⓢ CPC30/35-AG2J | Ⓣ ² CPC30/35-AG2J-Z |
| Ⓣ CPC20/25-AG2J | Ⓒ ⁴ CPC30/35-AXG52 | Ⓤ CPC30/35-AG65J | Ⓥ CPC20/25-AG65J |
| Ⓦ CPC30/35-AG70 | Ⓧ CPC20/25-AG70 | Ⓨ CPC30/35-AG70J | Ⓩ CPC20/25-AG70J |
| Ⓦ ⁶ CPC30/35-AXG65J | Ⓧ ⁵ CPC30/35-AG52-Z | ① CPC30/35-AG69-Z | Ⓦ ² CPC30/35-AG65J-Z |

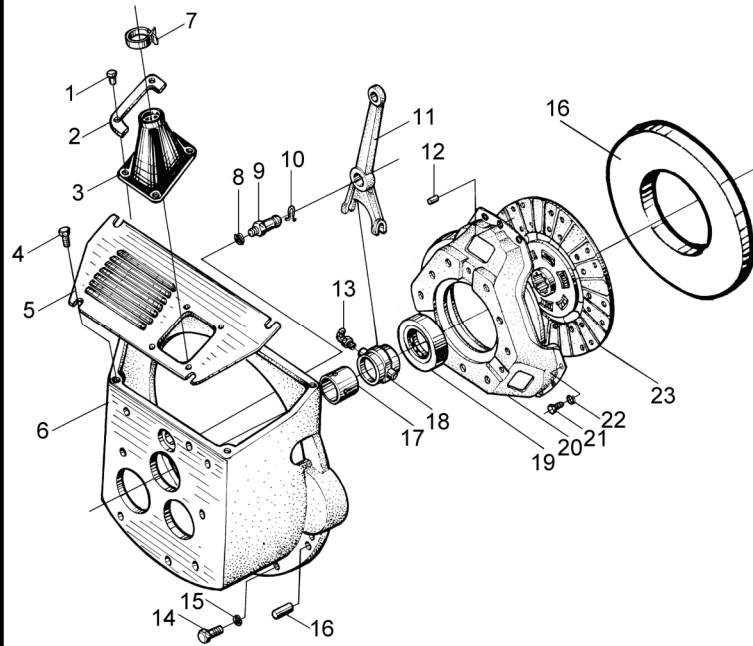


序号 Item	物料码 Part NO.	名称 Description	数量 Qty	备注或适用车型 Remarks or Serial NO.
37	G005783-010030-00	螺栓 M10×30 Bolt M10×30	2	Ⓐ Ⓑ Ⓐ ² Ⓞ Ⓟ Ⓠ Ⓡ Ⓒ ² Ⓒ ⁴ Ⓢ Ⓣ ² Ⓣ ⁴ Ⓤ Ⓥ Ⓦ Ⓧ Ⓨ Ⓩ Ⓦ ⁶ Ⓧ ⁵ ① Ⓦ ² Ⓨ ² ③ ④
38	G005783-006012-00	螺栓 M6×12 Bolt M6×12	3	Ⓐ Ⓑ Ⓐ ² Ⓞ Ⓟ Ⓠ Ⓡ Ⓒ ² Ⓒ ⁴ Ⓢ Ⓣ ² Ⓣ ⁴ Ⓤ Ⓥ Ⓦ Ⓧ Ⓨ Ⓩ Ⓦ ⁶ Ⓧ ⁵ ① Ⓦ ² Ⓨ ² ③ ④
38	N163-610100-W00	扣件 Fastener	4	Ⓔ Ⓔ ² Ⓕ Ⓖ Ⓗ
39	G000093-000006-00	垫圈 6 Washer 6	3	Ⓐ Ⓑ Ⓐ ² Ⓞ Ⓟ Ⓠ Ⓡ Ⓒ ² Ⓒ ⁴ Ⓢ Ⓣ ² Ⓣ ⁴ Ⓤ Ⓥ Ⓦ Ⓧ Ⓨ Ⓩ Ⓦ ⁶ Ⓧ ⁵ ① Ⓦ ² Ⓨ ² ③ ④

图 2-2 2.0t-3.5t 离合器, 机械式
Fig.2-2 2.0t-3.5t Clutch, Mechanical

Ⓚ CPQ30/35-AW7

Ⓛ CPQ20/25-AW7

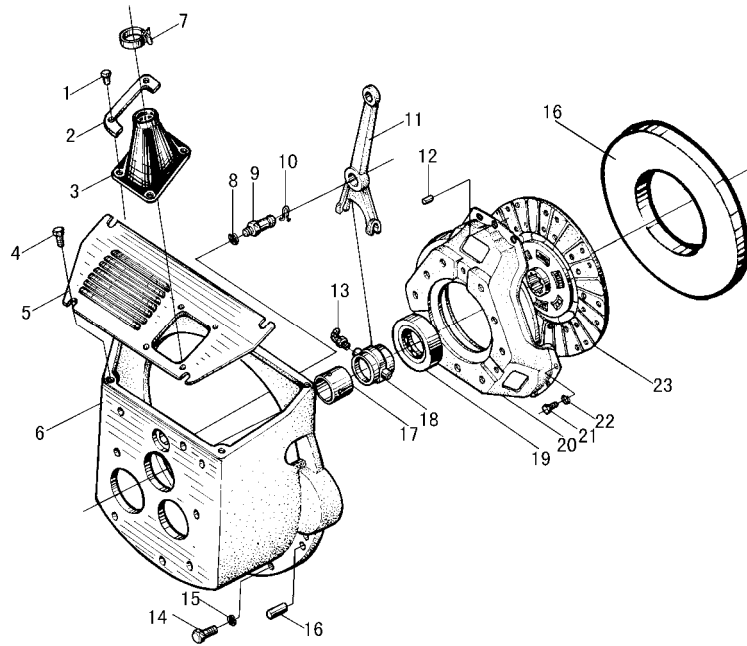


序号 Item	物料码 Part No.	名称 Description	数量 Qty	备注或适用车型 Remarks or Serial No.
A	R836-120000-000	离合器 Clutch	1	
1	N163-610100-W00	扣件 Fastener	4	
2	N150-120005-000	压板 Plate	2	
3	N150-120003-000	防尘罩 Dustproof hood	1	
4	N163-420100-000	螺钉组件 Screw	4	
5	N150-120004-000	离合器盖 Clutch cover	1	
6	R836-120001-000	离合器壳 Clutch housing	1	
7	PKD-100-G00	捆线带 PKD-100 Wire	1	
8	G000093-000012-00	垫圈 12 Washer 12	1	
9	N152-120002-000	分离叉球形支柱 Ball-ended supporting stud, clutch release fork	1	
10	N150-120007-000	挡圈 Snap ring	1	
11	N150-120006-000	分离拨叉 Release fork	1	
12	G00119-000012-00	销 B6×12 Pin B6×12	3	
13	G001153-006000-00	油杯 45°M6 Grease nipple	1	
14	G005783-010035-00	螺栓 M10×35 Bolt M10×35	9	

图 2-2 2.0t-3.5t 离合器, 机械式
Fig.2-2 2.0t-3.5t Clutch, Mechanical

Ⓚ CPQ30/35-AW7

Ⓛ CPQ20/25-AW7



序号 Item	物料码 Part No.	名称 Description	数量 Qty	备注或适用车型 Remarks or Serial No.
15	G000093-000010-00	垫圈 10 Washer 10	9	
16	G000120-010035-00	销 10×35 Pin 10×35	2	
A1	N150-121000-000	分离轴承套筒总成 Clutch releasae collar assy	1	包含/INC:13,17,18
17	N150-121002-000	衬套 Bushing	1	
18	N150-121001-000	分离轴承套筒 Clutch releasae collar	1	
19	9688211-G00	分离轴承 9688211 Release bearing clutch	1	
20	N150-122000-000	离合器压盘 Clutch pressure plate	1	
21	G005783-008025-00	螺栓 M8×25 Bolt M8×25	6	
22	G000093-000008-00	垫圈 8 Washer 8	1	
23	N150-124000-000	离合器从动盘总成 Clutch pressure plate	1	

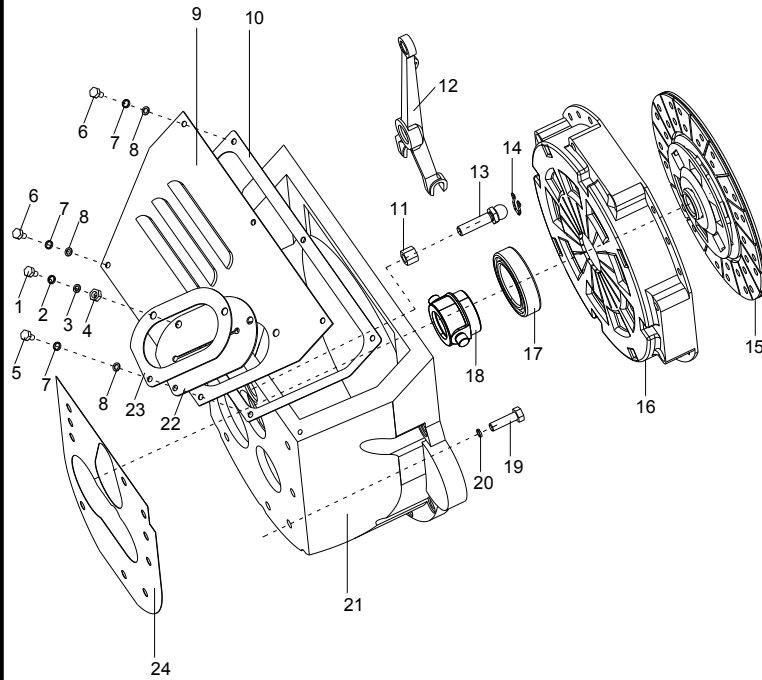
图 2-3 3.8t 离合器, 机械式 中柴
Fig.2-3 3.8t Clutch, Mechanical,Zhongchai

Ⓐ CPC38-AG2
Ⓚ CPQ38-AW7
Ⓢ CPC38-AG2J

Ⓒ CPC38-AG32
Ⓒ CPC38-AXG32
Ⓤ CPC38-AG65J

Ⓒ CPC38-AW13
Ⓞ CPC38-AG51
Ⓦ CPC38-AG70

Ⓛ CPC38-AW27
Ⓞ CPC38-AG52
Ⓨ CPC38-AG70J
Ⓒ CPC38-AG69



序号 Item	物料码 Part NO.	名称 Description	数量 Qty	备注或适用车型 Remarks or Serial NO.
A1	A380-122000-W00	离合器 Clutch	1	3.8t 中柴 Ⓐ Ⓒ Ⓒ Ⓢ Ⓤ Ⓦ Ⓨ Ⓒ
A2	A381-122000-W00	离合器 Clutch	1	3.8t 中柴 Ⓒ Ⓛ Ⓒ
A3	A382-122000-W00	离合器 Clutch	1	3.8t 中柴 Ⓒ
A4	A386-122000-W00	离合器 Clutch	1	3.8t 中柴 Ⓚ
1	GB5783-86-M8×16	螺栓 M8×16 Bolt M8×16	2	
2	GB/T93-8	弹簧垫圈 8 Spring washer 8	2	
3	GB93-87-8	垫圈 8 Washer lock 8	2	
4	GB6170-86-M8	螺母 M8 Nut M8	2	
5	GB5783-86-M6×16	螺栓 M6×16 Bolt M6×16	1	
6	GB5783-86-M6×12	螺栓 M6×12 Bolt M6×12	4	
7	GB/T93-6	弹簧垫圈 6 Spring washer 6	5	
8	GB93-87-6	垫圈 6 Washer lock 6	5	
9	J30H-07007A	离合器盖 Clutch cover	1	
10	J30H-07012A	离合器盖衬垫 Gasket	1	

图 2-3 3.8t 离合器, 机械式 中柴
Fig.2-3 3.8t Clutch, Mechanical,Zhongchai

Ⓐ CPC38-AG2
Ⓚ CPQ38-AW7
Ⓢ CPC38-AG2J

Ⓒ CPC38-AG32
Ⓒ CPC38-AXG32
Ⓤ CPC38-AG65J

Ⓒ CPC38-AW13
Ⓞ CPC38-AG51
Ⓦ CPC38-AG70

Ⓛ CPC38-AW27
Ⓞ CPC38-AG52
Ⓨ CPC38-AG70J
④ CPC38-AG69

序号 Item	物料码 Part NO.	名称 Description	数量 Qty	备注或适用车型 Remarks or Serial NO.
11	J30H-07010	调整螺母 Nut	1	
12	J30H-07003	分离叉 Clutch release fork	1	
13	J30H-07006A	分离叉球形支柱 Ball-ended supporting	1	Ⓐ Ⓞ Ⓞ Ⓢ Ⓤ Ⓦ Ⓨ ④ 三爪式压盘
13	J30H-07006B	分离叉球形支柱 Ball-ended supporting	1	Ⓒ Ⓒ2 Ⓒ Ⓛ Ⓚ 膜片式压盘
14	J30H-07005	弹性挡圈 Snap ring	1	
15	J30H-07500	从动盘总成 Clutch drivendisc assy	1	
16	J30H-07200	压盘及盖总成 Clutch pressure plate	1	Ⓐ Ⓞ Ⓞ Ⓢ Ⓤ Ⓦ Ⓨ ④ 三爪式
16	J30H-07300	压盘及盖总成 Clutch pressure plate	1	Ⓒ Ⓒ2 Ⓒ Ⓛ Ⓚ 膜片式, 配平飞轮发动机;
16	J30H-07300A	压盘及盖总成 Clutch pressure plate	1	膜片式, 配带台阶飞轮发动机
17	9688211-G00	分离轴承 9688211 Release bearing clutch	1	
18	J30H-07004	分离轴承套筒 Clutch release collar	1	
19	GB/T5783-M10×30	螺栓 M10×30 Bolt M10×30	7	
20	GB/T93-10	弹簧垫圈 10 Spring washer 10	7	
21	JDS37-07001	离合器壳 Clutch housing	1	Ⓐ Ⓞ Ⓞ Ⓢ Ⓤ Ⓦ Ⓨ ④ 3.8t
21	JDS37-07001A	离合器壳 Clutch housing	1	Ⓒ Ⓒ2 Ⓛ 3.8t 膜片式压盘

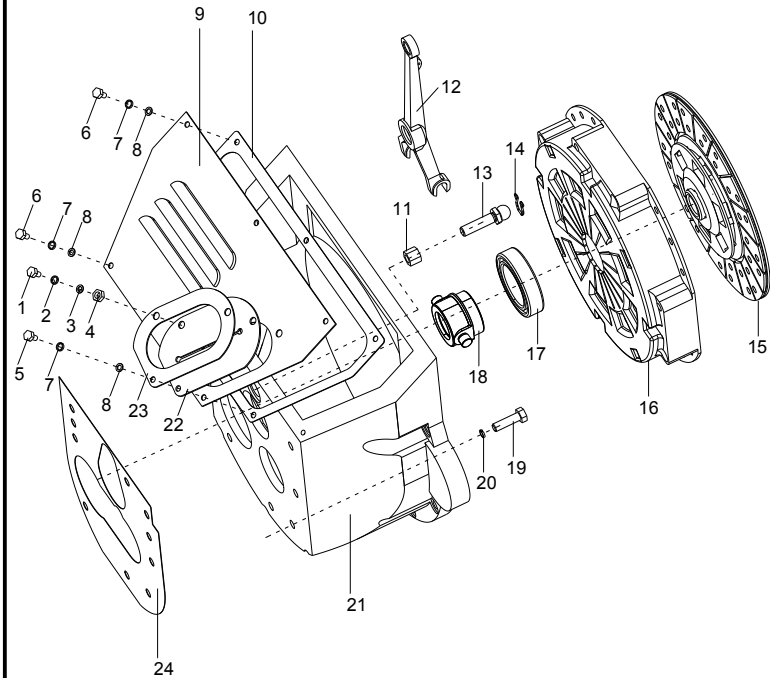
图 2-3 3.8t 离合器, 机械式 中柴
 Fig.2-3 3.8t Clutch, Mechanical,Zhongchai

Ⓐ CPC38-AG2
 Ⓚ CPQ38-AW7
 Ⓢ CPC38-AG2J

Ⓒ CPC38-AG32
 Ⓒ CPC38-AXG32
 Ⓤ CPC38-AG65J

Ⓒ CPC38-AW13
 Ⓒ CPC38-AG51
 Ⓜ CPC38-AG70

Ⓛ CPC38-AW27
 Ⓒ CPC38-AG52
 Ⓨ CPC38-AG70J
 Ⓒ CPC38-AG69



序号 Item	物料码 Part NO.	名称 Description	数量 Qty	备注或适用车型 Remarks or Serial NO.
21	J30H-07001J	离合器壳 Clutch housing	1	Ⓚ 3.8t 配宝亿汽油机
21	JDS37-07001-1	离合器壳 Clutch housing	1	Ⓒ 3.8t 配进口发动机
22	J30H-07008	防尘垫 Gasket	1	
23	J30H-07009	压板 Plate	1	
24	J30H-07002	离合器衬垫 Gasket	1	

图3 传动系统
Fig.3 Driving system

- | | | | |
|------------------------|--------------------------|-------------------------|------------------------|
| (A1) CPCD30/35/38-AG2 | (B1) CPCD20/25-AG2 | (A3) CPCD30/35/38-AG2E | (B3) CPCD20/25-AG2E |
| (C1) CPCD30/35/38-AG32 | (C3) CPCD38-AXG32 | (D1) CPCD20/25-AG32 | (E1) CPCD30-AW10 |
| (F1) CPCD20/25-AW10 | (G1) CPCD30/35/38-AW13 | (H1) CPCD20/25-AW13 | (I1) CPCD30/35/38-AW27 |
| (J1) CPCD20/25-AW27 | (K1) CPQD30/35/38-AW7 | (L1) CPQD20/25-AW7 | (M1) CPCD30/35-AW67 |
| (N1) CPCD20/25-AW67 | (O1) CPCD30/35/38-AG51 | (P1) CPCD20/25-AG51 | (Q1) CPCD30/35/38-AG52 |
| (R1) CPCD20/25-AG52 | (E3) CPCD30-AXW10 | (Q3) CPCD30/35-AXG51 | (S1) CPCD30/35/38-AG2J |
| (T1) CPCD20/25-AG2J | (Q3) CPCD30/35-AXG52 | (U1) CPCD30/35/38-AG65J | (V1) CPCD20/25-AG65J |
| (W1) CPCD30/35/38-AG70 | (X1) CPCD20/25-AG70 | (Y1) CPCD30/35/38-AG70J | (Z1) CPCD20/25-AG70J |
| (U3) CPCD30/35-AXG65J | (5) CPCD20/25-AG69 | (6) CPCD30/35/38-AG69 | (7) CPCD20/25-AW55 |
| (9) CPCD20/25-AG65JE | (10) CPCD30/35/38-AG65JE | | (8) CPCD30/35/38-AW55 |

序号 Item	物料码 Part No.	名称 Description	数量 Qty	备注或适用车型 Remarks or Serial No.
1	A250-110000-000	驱动桥总成 Drive axle assy	1	2.0t-2.5t, 见图6 See Fig.6 除外 Except (B3) (9)
1	A300-110000-000	驱动桥总成 Drive axle assy	1	3.0t-3.8t, 见图6 See Fig.6 除外 Except (A3) (10)
1	AE260-110000-000	驱动桥总成 Drive axle assy	1	(B3) (9), 见图 6 See Fig.6
1	AE310-110000-000	驱动桥总成 Drive axle assy	1	(A3) (10), 见图 6 See Fig.6
2	N150-100001-000	纸垫 Gasket	1	<2014-10-15
2	Drive axle-1598H	密封胶 Salant	按需 Need	≥2014-10-15
3	G000093-000010-00	垫圈 12 Washer 12	12	除外 Except (A3) (B3) (9) (10)
3	G000093-000010-00	垫圈 12 Washer 12	14	(A3) (B3) (9) (10)
4	G005783-012040-00	螺栓 M12×40 Bolt M12×40	10	除外 Except (A3) (B3) (9) (10)
5	G005783-012030-00	螺栓 M12×30 Bolt M12×30	2	除外 Except (A3) (B3) (9) (10)
5	G005786-012035-00	螺栓 M12×1.25×35 Bolt M12×1.25×35	14	(A3) (B3) (9) (10)

图3 传动系统
Fig.3 Driving system

- | | | | |
|----------------------|------------------------|-----------------------|----------------------|
| Ⓐ) CPCD30/35/38-AG2 | Ⓑ) CPCD20/25-AG2 | Ⓐ₃) CPCD30/35/38-AG2E | Ⓑ₃) CPCD20/25-AG2E |
| Ⓒ) CPCD30/35/38-AG32 | Ⓒ₃) CPCD38-AXG32 | Ⓓ) CPCD20/25-AG32 | Ⓔ) CPCD30-AXW10 |
| Ⓕ) CPCD20/25-AW10 | Ⓔ) CPCD30/35/38-AW13 | Ⓗ) CPCD20/25-AW13 | Ⓖ) CPCD30/35/38-AW27 |
| Ⓙ) CPCD20/25-AW27 | Ⓕ) CPQD30/35/38-AW7 | Ⓖ) CPCD20/25-AW7 | Ⓜ) CPCD30/35-AW67 |
| Ⓝ) CPCD20/25-AW67 | Ⓞ) CPCD30/35/38-AG51 | Ⓛ) CPQD20/25-AW7 | Ⓞ) CPCD30/35/38-AG52 |
| Ⓡ) CPCD20/25-AG52 | Ⓟ) CPCD30-AXW10 | Ⓟ) CPCD20/25-AG51 | Ⓢ) CPCD30/35/38-AG2J |
| Ⓣ) CPCD20/25-AG2J | Ⓠ) CPCD30/35-AXG52 | Ⓠ) CPCD30/35-AXG51 | Ⓢ) CPCD30/35/38-AG2J |
| Ⓡ) CPCD30/35/38-AG70 | Ⓡ) CPCD20/25-AG70 | Ⓡ) CPCD30/35/38-AG65J | Ⓡ) CPCD20/25-AG65J |
| Ⓡ) CPCD30/35-AXG65J | Ⓡ) CPCD20/25-AG69 | Ⓡ) CPCD30/35/38-AG70J | Ⓡ) CPCD20/25-AG70J |
| Ⓡ) CPCD20/25-AG65JE | Ⓡ) CPCD30/35/38-AG65JE | Ⓡ) CPCD30/35/38-AG69 | Ⓡ) CPCD20/25-AW55 |
| | | | Ⓡ) CPCD30/35/38-AW55 |

序号 Item	物料码 Part No.	名称 Description	数量 Qty	备注或适用车型 Remarks or Serial No.
6	YQX30A-G00	2.0t-3.5t 液力变速箱 YQX30A Transmission	1	2.0t-3.5t Ⓐ) Ⓑ) Ⓒ) Ⓓ) Ⓖ) Ⓙ) Ⓜ) Ⓝ) Ⓞ) Ⓟ) Ⓠ) Ⓡ) Ⓢ) Ⓣ) Ⓡ) Ⓢ) Ⓡ) Ⓡ) Ⓡ)
6	YQX30-G00	液力变速箱 YQX30 Transmission	1	2.0t-3.5t Ⓔ) Ⓕ) Ⓖ) Ⓗ) Ⓖ) Ⓡ) Ⓢ)
6	A316-120000-G00	液力变速箱 Transmission YQX30H1,YQX30J	1	2.0t-3.5t Ⓡ) Ⓢ)
6	A390-120000-G00	液力变速箱 YQX37A Transmission	1	3.8t Ⓐ) Ⓒ) Ⓖ) Ⓒ₃) Ⓞ) Ⓞ) Ⓡ) Ⓢ) Ⓡ) Ⓡ) Ⓡ) Ⓡ)
6	A392-120000-G00	液力变速箱 YQX37 Transmission	1	3.8t Ⓖ) Ⓢ)
6	A396-120000-G00	液力变速箱 YQX37J Transmission	1	3.8t Ⓡ)
6	AE310-120000-G00	液力变速箱总成 Transmission	1	Ⓐ₃) Ⓑ₃) Ⓡ) Ⓢ)
	另见 FYQXD30 II MA(HF) 型全浮式液力传动变速箱目录 See also FYQXD30 II MA(HF) Hydrodynamic Transmission Gearbox Parts catalog			
6	YQXD30A-G00	液力变速箱 YQXD30A Transmission	1	除外 Except Ⓖ) Ⓗ) Ⓐ₃) Ⓑ₃) Ⓡ) Ⓢ) 选配 Optional 电磁阀换向 Solenoid valve Commutation

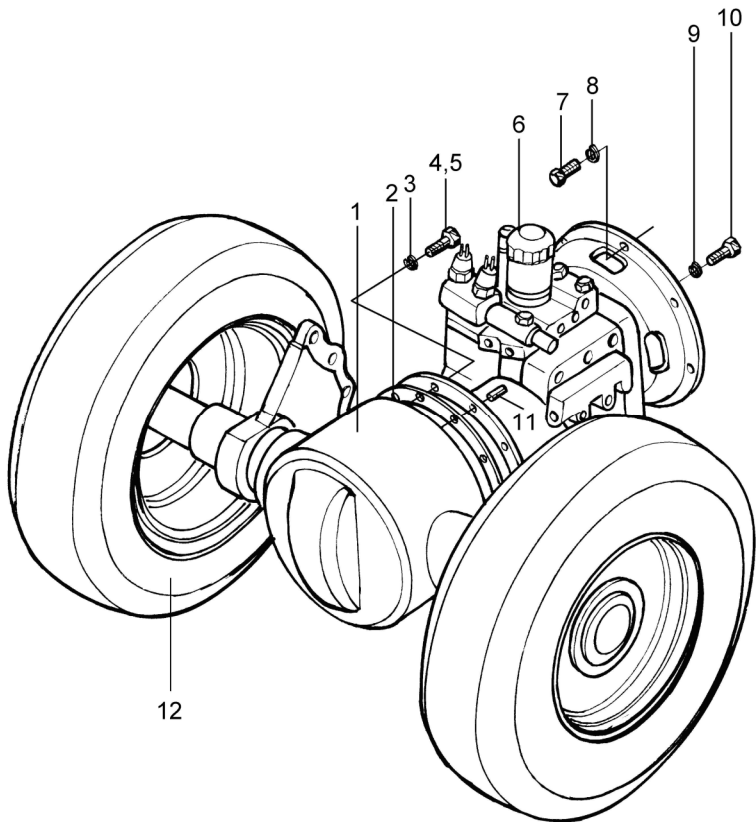


图3 传动系统
Fig.3 Driving system

- | | | | |
|------------------------|--------------------------|-------------------------|------------------------|
| (A1) CPCD30/35/38-AG2 | (B1) CPCD20/25-AG2 | (A3) CPCD30/35/38-AG2E | (B3) CPCD20/25-AG2E |
| (C1) CPCD30/35/38-AG32 | (C3) CPCD38-AXG32 | (D1) CPCD20/25-AG32 | (E1) CPCD30-AW10 |
| (F1) CPCD20/25-AW10 | (G1) CPCD30/35/38-AW13 | (H1) CPCD20/25-AW13 | (I1) CPCD30/35/38-AW27 |
| (J1) CPCD20/25-AW27 | (K1) CPQD30/35/38-AW7 | (L1) CPQD20/25-AW7 | (M1) CPCD30/35-AW67 |
| (N1) CPCD20/25-AW67 | (O1) CPCD30/35/38-AG51 | (P1) CPCD20/25-AG51 | (Q1) CPCD30/35/38-AG52 |
| (R1) CPCD20/25-AG52 | (E3) CPCD30-AXW10 | (Q3) CPCD30/35-AXG51 | (S1) CPCD30/35/38-AG2J |
| (T1) CPCD20/25-AG2J | (Q3) CPCD30/35-AXG52 | (U1) CPCD30/35/38-AG65J | (V1) CPCD20/25-AG65J |
| (W1) CPCD30/35/38-AG70 | (X1) CPCD20/25-AG70 | (Y1) CPCD30/35/38-AG70J | (Z1) CPCD20/25-AG70J |
| (U3) CPCD30/35-AXG65J | (5) CPCD20/25-AG69 | (6) CPCD30/35/38-AG69 | (7) CPCD20/25-AW55 |
| (9) CPCD20/25-AG65JE | (10) CPCD30/35/38-AG65JE | | (8) CPCD30/35/38-AW55 |

序号 Item	物料码 Part No.	名称 Description	数量 Qty	备注或适用车型 Remarks or Serial No.
6	YQXD30-G00	液力变速箱 YQXD30 Transmission	1	(G1) (H1) 选配 Optional 电磁阀换向 Solenoid valve Commutation
7	G005783-010035-00	螺栓 M10×35 Bolt M10×35	9	除外 Except (K1) (L1)
7	G005783-010035-00	螺栓 M10×35 Bolt M10×35	8	(K1) (L1)
8	G000093-000010-00	垫圈 10 Washer 10	9	除外 Except (K1) (L1) (7) (8)
8	G000093-000010-00	垫圈 10 Washer 10	8	(K1) (L1)
8	G000093-000010-00	垫圈 10 Washer 10	10	(7) (8)
9	G000093-000008-00	垫圈 8 Washer 8	6	除外 Except (K1) (L1)
9	G000093-000008-00	垫圈 8 Washer 8	12	(K1) (L1) (7) (8)
10	G005783-008025-00	螺栓 M8×25 Bolt M8×25	6	除外 Except (K1) (L1)
10	G005783-008025-00	螺栓 M8×20 Bolt M8×20	12	(K1) (L1) (7) (8)
11	G000120-008035-01	销 B10×35 Pin B10×35	1	除外 Except (A3) (B3) (7) (8) (9) (10)

图3 传动系统
Fig.3 Driving system

- | | | | |
|----------------------|------------------------|-----------------------|----------------------|
| Ⓐ) CPCD30/35/38-AG2 | Ⓑ) CPCD20/25-AG2 | Ⓐ) CPCD30/35/38-AG2E | Ⓑ) CPCD20/25-AG2E |
| Ⓒ) CPCD30/35/38-AG32 | Ⓒ) CPCD38-AXG32 | Ⓓ) CPCD20/25-AG32 | Ⓔ) CPCD30-AXW10 |
| Ⓕ) CPCD20/25-AW10 | Ⓖ) CPCD30/35/38-AW13 | Ⓗ) CPCD20/25-AW13 | Ⓛ) CPCD30/35/38-AW27 |
| Ⓙ) CPCD20/25-AW27 | Ⓚ) CPQD30/35/38-AW7 | Ⓛ) CPQD20/25-AW7 | Ⓜ) CPCD30/35-AW67 |
| Ⓝ) CPCD20/25-AW67 | Ⓞ) CPCD30/35/38-AG51 | Ⓟ) CPCD20/25-AG51 | Ⓠ) CPCD30/35/38-AG52 |
| Ⓡ) CPCD20/25-AG52 | Ⓟ) CPCD30-AXW10 | Ⓡ) CPCD30/35-AXG51 | Ⓢ) CPCD30/35/38-AG2J |
| Ⓣ) CPCD20/25-AG2J | Ⓢ) CPCD30/35-AXG52 | Ⓤ) CPCD30/35/38-AG65J | Ⓣ) CPCD20/25-AG65J |
| Ⓦ) CPCD30/35/38-AG70 | Ⓣ) CPCD20/25-AG70 | Ⓨ) CPCD30/35/38-AG70J | Ⓤ) CPCD20/25-AG70J |
| Ⓛ) CPCD30/35-AXG65J | Ⓟ) CPCD20/25-AG69 | Ⓠ) CPCD30/35/38-AG69 | Ⓡ) CPCD20/25-AW55 |
| Ⓡ) CPCD20/25-AG65JE | Ⓡ) CPCD30/35/38-AG65JE | | Ⓢ) CPCD30/35/38-AW55 |

序号 Item	物料码 Part No.	名称 Description	数量 Qty	备注或适用车型 Remarks or Serial No.
11	G000120-008025-01	销 B10×25 Pin B10×25	1	⑦ ⑧
12		前轮总成(单轮) front wheel assy (Single)	2	3.0t-3.8t 见图 4 See Fig.4
12		内前轮总成(双轮)Inner front wheel assy(double)	2	3.0t-3.8t 见图 5 See Fig.5
12		外前轮总成(双轮)Outer front wheel assy(double)	2	3.0t-3.8t 见图 5 See Fig.5
12		前轮总成(单轮) front wheel assy (Single)	2	2.0t-2.5t 见图 4 See Fig.4
12		内前轮总成(双轮)Inner front wheel assy(double)	2	2.0t-2.5t 见图 5 See Fig.5
12		外前轮总成(双轮)Outer front wheel assy(double)	2	2.0t-2.5t 见图 5 See Fig.5
16	G005783-010050-00	螺栓 M10×50 Bolt M10×50	1	⑦ ⑧
17	G006170-000010-00	螺母 M10 Nut M10	1	⑦ ⑧

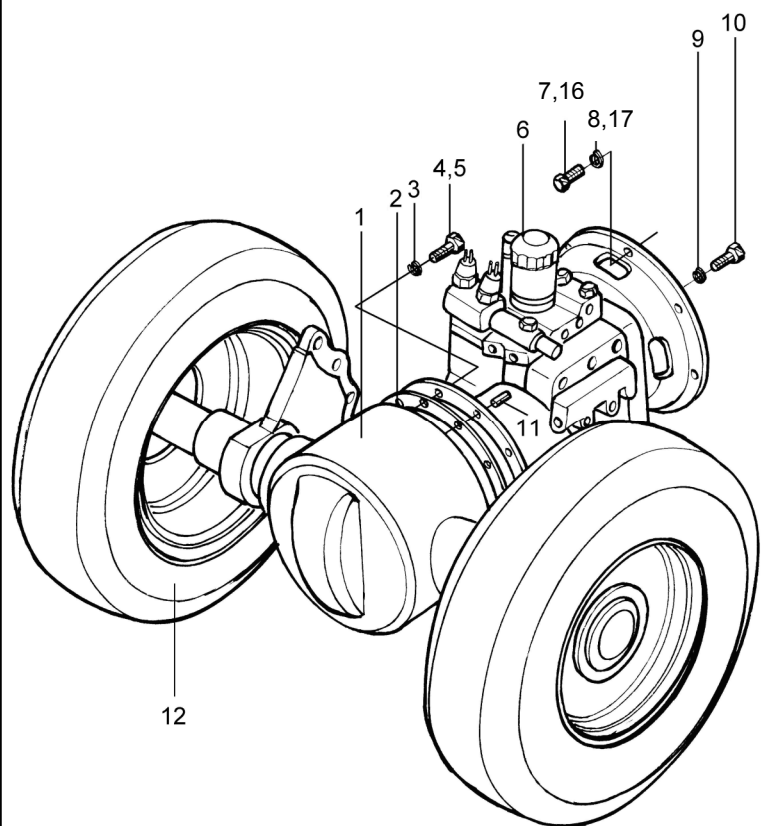
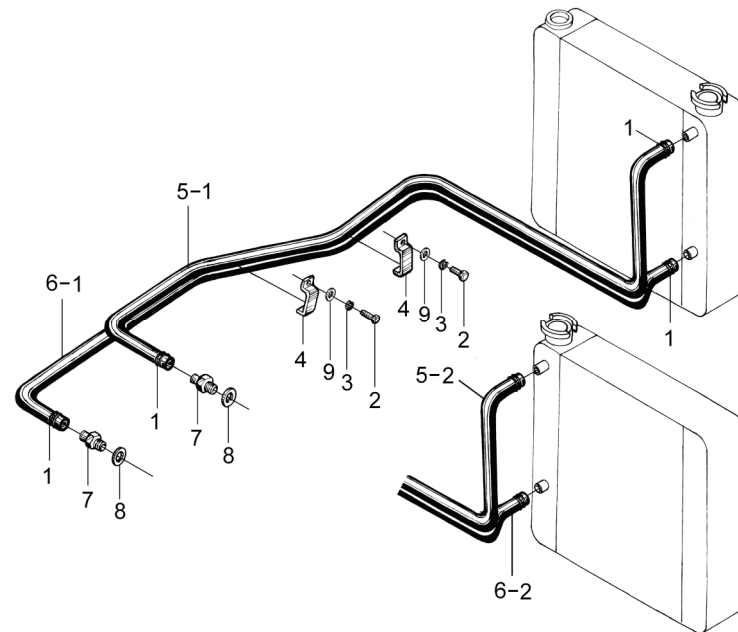


图 3-1 冷却油管总成
Fig.3-1 Cooling oil pipe assy

- | | | | |
|----------------------|-------------------------------|------------------------------------|---------------------------------|
| Ⓐ) CPCD30/35/38-AG2 | Ⓑ) CPCD20/25-AG2 | Ⓐ ₃) CPCD30/35/38-AG2E | Ⓑ ₃) CPCD20/25-AG2E |
| Ⓒ) CPCD30/35/38-AG32 | Ⓒ ₃) CPCD38-AXG32 | Ⓓ) CPCD20/25-AG32 | Ⓔ) CPCD30-AXW10 |
| Ⓕ) CPCD20/25-AW10 | Ⓔ) CPCD30/35/38-AW13 | Ⓗ) CPCD20/25-AW13 | Ⓘ) CPCD30/35/38-AW27 |
| Ⓙ) CPCD20/25-AW27 | Ⓕ) CPQD30/35/38-AW7 | Ⓘ) CPCD20/25-AW7 | Ⓜ) CPCD30/35-AW67 |
| Ⓝ) CPCD20/25-AW67 | Ⓞ) CPCD30/35/38-AG51 | Ⓟ) CPCD20/25-AG51 | Ⓝ) CPCD30/35/38-AG52 |
| Ⓡ) CPCD20/25-AG52 | Ⓟ) CPCD30-AXW10 | Ⓠ) CPCD30/35-AXG51 | Ⓞ) CPCD30/35/38-AG2J |
| Ⓣ) CPCD20/25-AG2J | Ⓡ) CPCD30/35-AXG52 | Ⓡ) CPCD30/35/38-AG65J | Ⓟ) CPCD20/25-AG65J |
| Ⓡ) CPCD30/35/38-AG70 | Ⓡ) CPCD20/25-AG70 | Ⓡ) CPCD30/35/38-AG70J | Ⓡ) CPCD20/25-AG70J |
| Ⓡ) CPCD30/35-AXG65J | Ⓡ) CPCD20/25-AG69 | Ⓡ) CPCD30/35/38-AG69 | Ⓡ) CPCD20/25-AW55 |
| Ⓡ) CPCD20/25-AG65JE | Ⓡ) CPCD30/35/38-AG65JE | | Ⓡ) CPCD30/35/38-AW55 |



序号 Item	物料码 Part No.	名称 Description	数量 Qty	备注或适用车型 Remarks or Serial No.
A1	A260-120000-000	冷却油管总成 Oil coolingpipe assy	1	除外/Except ⑨ ⑩ Ⓒ) Ⓒ ₃ Ⓓ) Ⓕ) Ⓖ) Ⓗ) Ⓘ)
A2	A260-130000-000	冷却油管总成 Oil coolingpipe assy	1	Ⓒ) Ⓒ ₃ Ⓓ) Ⓕ) Ⓖ) Ⓗ) Ⓘ) ⑦ ⑧
A3	AE310-130000-000	冷却油管总成 Oil coolingpipe assy	1	Ⓐ ₃ Ⓑ ₃ ⑨ ⑩ R561-120000-000
1	Q672-23-G00	双钢丝式环箍 23 Clamp 23	4	
2	G005783-008012-00	螺栓 M8×12 Bolt M8×12	4	
3	G000093-000008-00	垫圈 8 Washer 8	4	
4	30DH-100004	抱箍 Clamp	3	除外/Except ⑨ ⑩ Ⓒ) Ⓒ ₃ Ⓓ) Ⓕ) Ⓖ) Ⓗ) Ⓘ)
4	30DH-100004	抱箍 Clamp	2	Ⓒ) Ⓒ ₃ Ⓓ) Ⓕ) Ⓖ)
4	N160-110002-000	抱箍 Clamp	4	Ⓐ ₃ Ⓑ ₃ ⑨ ⑩
5-1	A260-110001-W00	胶管 L=2250 Rubber pipe	1	除外/Except ⑨ ⑩ Ⓒ) Ⓒ ₃ Ⓓ) Ⓕ) Ⓖ) Ⓗ) Ⓘ)
5-1	AE310-130010-W00	胶管 Rubber pipe	1	Ⓐ ₃ Ⓑ ₃ ⑨ ⑩ N160-110002-W00
5-2	A260-130001-W00	胶管 L=1500 Rubber pipe	1	Ⓒ) Ⓒ ₃ Ⓓ) Ⓕ) Ⓖ)

图 3-1 冷却油管总成
Fig.3-1 Cooling oil pipe assy

- | | | | |
|------------------------|--------------------------|-------------------------|------------------------|
| (A1) CPCD30/35/38-AG2 | (B1) CPCD20/25-AG2 | (A3) CPCD30/35/38-AG2E | (B3) CPCD20/25-AG2E |
| (C1) CPCD30/35/38-AG32 | (C3) CPCD38-AXG32 | (D1) CPCD20/25-AG32 | (E1) CPCD30-AW10 |
| (F1) CPCD20/25-AW10 | (G1) CPCD30/35/38-AW13 | (H1) CPCD20/25-AW13 | (I1) CPCD30/35/38-AW27 |
| (J1) CPCD20/25-AW27 | (K1) CPQD30/35/38-AW7 | (L1) CPQD20/25-AW7 | (M1) CPCD30/35-AW67 |
| (N1) CPCD20/25-AW67 | (O1) CPCD30/35/38-AG51 | (P1) CPCD20/25-AG51 | (Q1) CPCD30/35/38-AG52 |
| (R1) CPCD20/25-AG52 | (E3) CPCD30-AXW10 | (Q3) CPCD30/35-AXG51 | (S1) CPCD30/35/38-AG2J |
| (T1) CPCD20/25-AG2J | (Q3) CPCD30/35-AXG52 | (U1) CPCD30/35/38-AG65J | (V1) CPCD20/25-AG65J |
| (W1) CPCD30/35/38-AG70 | (X1) CPCD20/25-AG70 | (Y1) CPCD30/35/38-AG70J | (Z1) CPCD20/25-AG70J |
| (U3) CPCD30/35-AXG65J | (5) CPCD20/25-AG69 | (6) CPCD30/35/38-AG69 | (7) CPCD20/25-AW55 |
| (9) CPCD20/25-AG65JE | (10) CPCD30/35/38-AG65JE | | (8) CPCD30/35/38-AW55 |

序号 Item	物料码 Part No.	名称 Description	数量 Qty	备注或适用车型 Remarks or Serial No.
6-1	A260-110001-W00	胶管 L=2250 Rubber pipe	1	除外/Except (9) (10) (C1) (C3) (D1) (K1) (L1) (A3) (B3)
6-1	AE310-130010-W00	胶管 Rubber pipe	1	(A3) (B3) (9) (10) N160-110003-W00
6-2	A260-130001-W00	胶管 L=1500 Rubber pipe	1	(C1) (C3) (D1) (K1) (L1)
7	N160-110001-000	回油管接头 Connector	2	
8	J000982-000014-00	垫圈 14 Washer	2	
9	G0097P1-000008-00	垫圈 8 Washer 8	3	除外/Except (9) (10) t (C1) (C3) (D1) (K1) (L1) (A3) (B3)
9	G0097P1-000008-00	垫圈 8 Washer 8	2	(C1) (C3) (D1) (K1) (L1)
9	G0097P1-000008-00	垫圈 8 Washer 8	4	(A3) (B3) (9) (10)

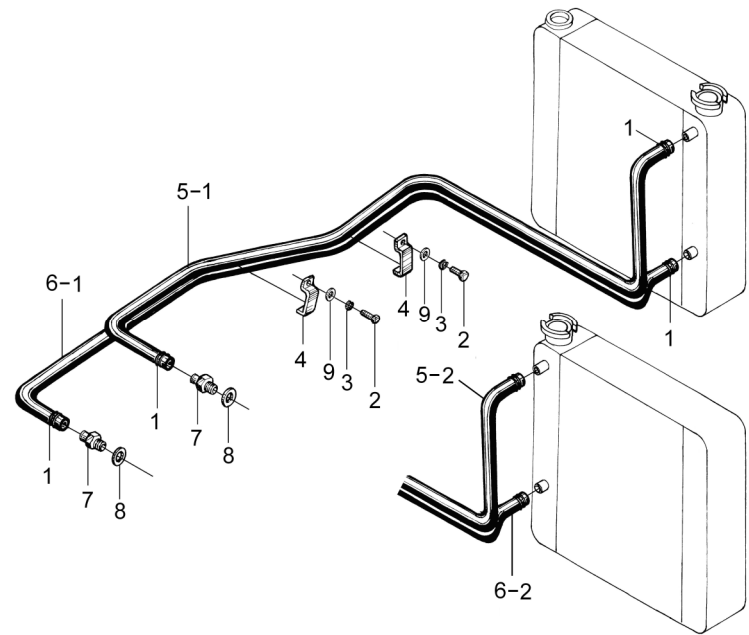


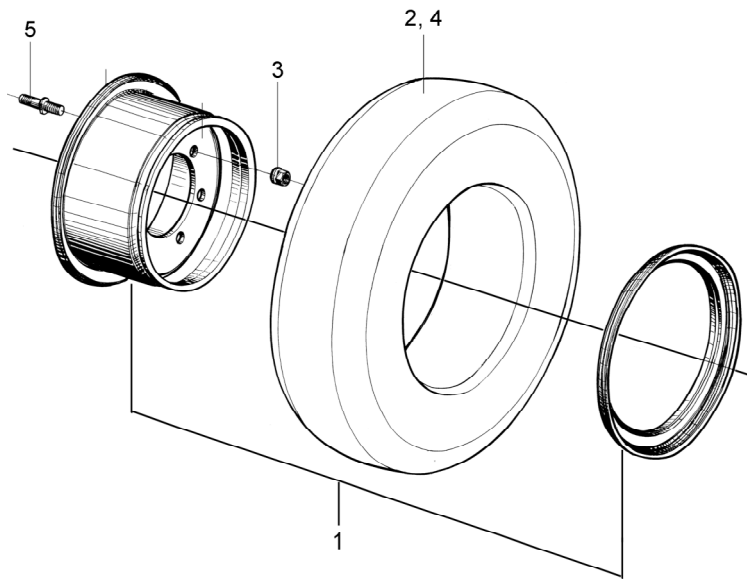
图 4-1 3.0t-3.8t 前轮 (单轮)
Fig.4-1 3.0t-3.8t Front wheel (Single tyre)

3.0t-3.8t
全部车型/All models of truck

序号 Item	物料码 Part NO.	名称 Description	数量 Qty	备注或适用车型 Remarks Or Serial No.
A1	MB300-113000-000	前轮总成(单轮) Front wheel assy	2	INC:1-2 实心轮胎 Solid Tyre
A1	N163-113000-000	前轮总成(单轮) Front wheel assy	2	INC:1-2 充气轮胎 Inflated tyre
1	N163-113100-000	轮辋总成 Rim-assy	2	黑色 Black
2	GT10823-2800915-00	实心轮胎 28×9-15 Solid Tyre 28×9-15	2	实心轮胎 Solid Tyre
2	GT02982-280091512-00	充气轮胎 28×9-15-12PR Inflated tyre	2	充气轮胎 Inflated tyre
3	N163-110015-000	轮毂螺母 Nut, Hub	12	
4	GT10823-2800915-02	无痕轮胎 28×9-15 Non-trace tyre 28×9-15	2	选配 Optional 实心轮胎 Solid Tyre
5	N163-110014-000	轮毂螺栓 Bolt, Hub	12	单轮 Single tyre

图 4-2 2.0t-2.5t 前轮 (单轮)
Fig.4-2 2.0t-2.5t Front wheel (Single tyre)

2.0t-2.5t
全部车型/All models of truck



序号 Item	物料码 Part NO.	名称 Description	数量 Qty	备注或适用车型 Remarks Or Serial No.
A1	MB250-113000-000	前轮总成(单轮) Front wheel assy	2	INC:1-2 实心轮胎 Solid Tyre
A1	N120-113000-000	前轮总成(单轮) Front wheel assy	2	INC:1-2 充气轮胎 Inflated tyre
1	N120-113100-000	轮辋总成 Rim-assy	2	黑色 Black
2	GT10823-0000712-00	实心轮胎 7.00-12 Solid tyre 7.00-12	2	实心轮胎 Solid Tyre
2	GT02982-000071212-00	充气轮胎 7.00-12-12PR Inflated tyre	2	充气轮胎 Inflated tyre
3	N163-110015-000	轮毂螺母 Nut, Hub	12	
4	GT10823-0000712-02	无痕轮胎 7.00-12 Non-trace tyre 7.00-12	2	选配 Optional 实心轮胎 Solid Tyre
5	N120-110006-000	轮毂螺栓 Bolt, Hub	12	单轮 Single tyre

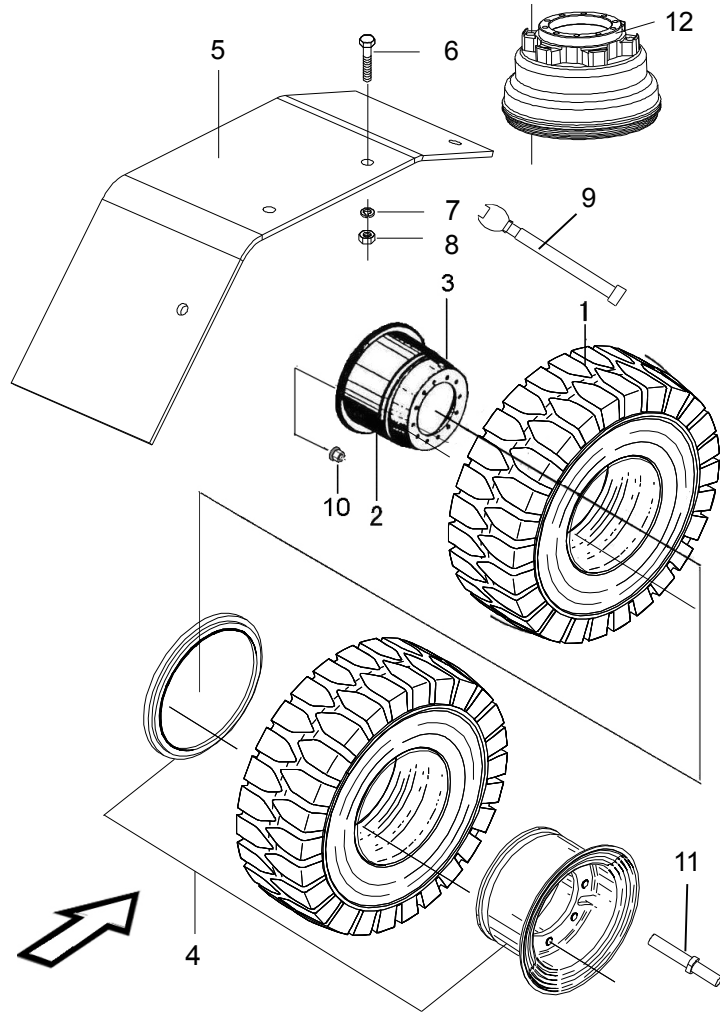
图 5-1 3.0t-3.8t 前轮 (双轮)
Fig.5-1 3.0t-3.8t Front wheel (Double tyre)

3.0t-3.8t
全部车型/All models of truck

序号 Item	物料码 Part NO.	名称 Description	数量 Qty	备注或适用车型 Remarks Or Serial No.
A1	MB300-113000-500	内前轮总成(双轮) Inner front wheel assy(double)	2	INC.1,4 实心轮胎 Solid Tyre
A2	MB300-111000-500	外前轮总成(双轮) Outer front wheel assy(double)	2	INC.1,2 实心轮胎 Solid Tyre
A1	N163-113000-500	内前轮总成(双轮) Inner front wheel assy(double)	2	INC.1,4 充气轮胎 Inflated tyre
A2	N163-111000-500	外前轮总成(双轮) Outer front wheel assy(double)	2	INC.1,2 充气轮胎 Inflated tyre
1	GT10823-2800915-00	实心轮胎 28×9-15 Solid Tyre 28×9-15	4	实心轮胎 Solid Tyre
1	GT02982-280091512-00	充气轮胎 28×9-15-12PR Inflated tyre	4	充气轮胎 Inflated tyre
2	N163-111100-500	外轮辋总成 Outer Rim-assy	2	黑色 Black
3		隔套 Ring	2	3t-3.5t 无此零件 3t-3.5t Not the part
4	N163-113100-500	内轮辋总成 Inner Rim-assy	2	黑色 Black
5	R960-110001-500	左挡泥板 Fender Left	1	
5	R960-110002-500	右挡泥板 Fender Right	1	
6	G005783-012045-00	螺栓 M12×45 Bolt M12×45	8	
7	G000093-000012-00	垫圈 12 Washer 12	8	
8	G006170-000012-00	螺母 M12 Nut M12	8	
9	A300-110007-500	气门接长管 Extension tube	2	50CDA-210001 充气轮胎 Inflated tyre

图 5-1 3.0t-3.8t 前轮 (双轮)
Fig.5-1 3.0t-3.8t Front wheel (Double tyre)

3.0t-3.8t
全部车型/All models of truck



序号 Item	物料码 Part NO.	名称 Description	数量 Qty	备注或适用车型 Remarks Or Serial No.
10	N163-110015-000	轮毂螺母 Nut, Hub	12	
11	N163-110001-500	轮毂螺栓 Bolt, Hub	12	双轮 Double tyre
12	A300-110002-500	轮毂 Hub	2	3.0t-3.8t, ≥2013-03-01 双轮 Double tyre

图 5-2 2.0t-2.5t 前轮（双轮）
Fig.5-2 2.0t-2.5t Front wheel (Double tyre)

2.0t-2.5t
全部车型/All models of truck

序号 Item	物料码 Part NO.	名称 Description	数量 Qty	备注或适用车型 Remarks Or Serial No.
A1	MB250-113000-500	内前轮总成(双轮) Inner front wheel assy(double)	2	INC.1,4 实心轮胎Solid Tyre
A2	MB250-111000-500	外前轮总成(双轮) Outer front wheel assy(double)	2	INC.1,2 实心轮胎 Solid Tyre
A1	N120-113000-500	内前轮总成 Inner front wheel assy	2	INC.1,4 充气轮胎 Inflated tyre
A2	N120-111000-500	外前轮总成 Outer front wheel assy	2	INC1,2 充气轮胎 Inflated tyre
1	GT10823-0000712-00	实心轮胎 7.00-12 Solid Tyre 7.00-12	4	实心轮胎 Solid Tyre
1	GT02982-000071212-00	充气轮胎 7.00-12-12PR Inflated tyre	4	充气轮胎 Inflated tyre
2	N120-111100-500	外轮辋总成 Outer Rim-assy	2	黑色 Black
3	隔套 Ring	2		
4	N120-113100-500	内轮辋总成 Inner Rim-assy	2	黑色 Black
5	R930-110001-500	左挡泥板 Fender Left	1	
5	R930-110002-500	右挡泥板 Fender Right	1	
6	G005783-012045-00	螺栓 M12×45 Bolt M12×45	6	
7	G000093-000012-00	垫圈 12 Washer 12	6	
8	G006170-000012-00	螺母 M12 Nut M12	6	
9	A300-110007-500	气门接长管 Extension tube	2	50CDA-210001 充气轮胎 Inflated tyre

图 5-2 2.0t-2.5t 前轮（双轮）
Fig.5-2 2.0t-2.5t Front wheel (Double tyre)

2.0t-2.5t
全部车型/All models of truck

序号 Item	物料码 Part NO.	名称 Description	数量 Qty	备注或适用车型 Remarks Or Serial No.
10	N163-110015-000	轮毂螺母 Nut, Hub	12	
11	N120-110001-500	轮毂螺栓 Bolt, Hub	12	双轮 Double tyre

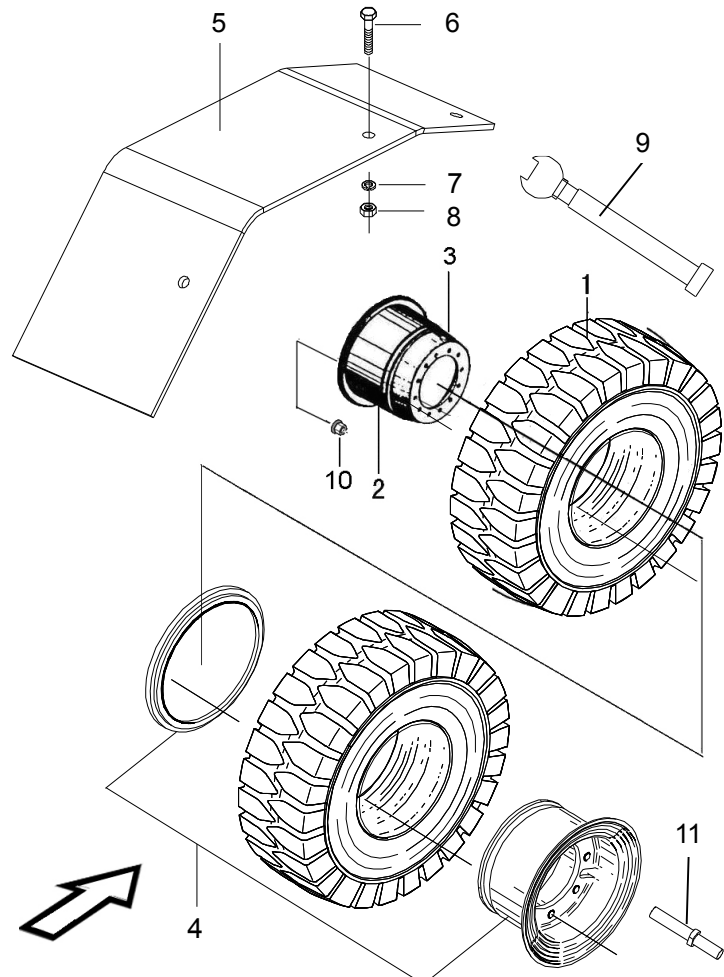


图 6 驱动桥总成
Fig.6 Drive axle assy

2.0t-3.8t
全部车型/All models of truck

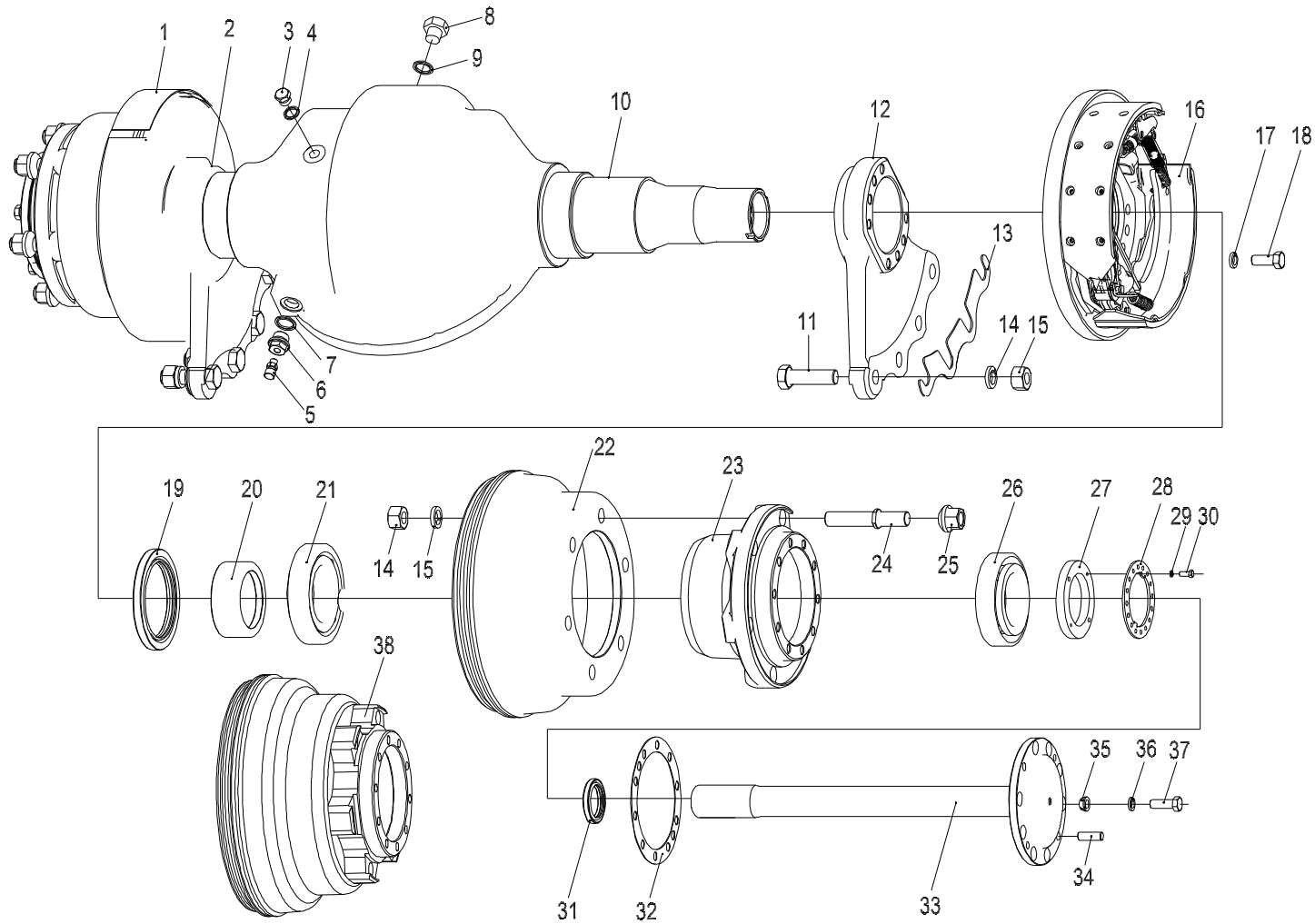
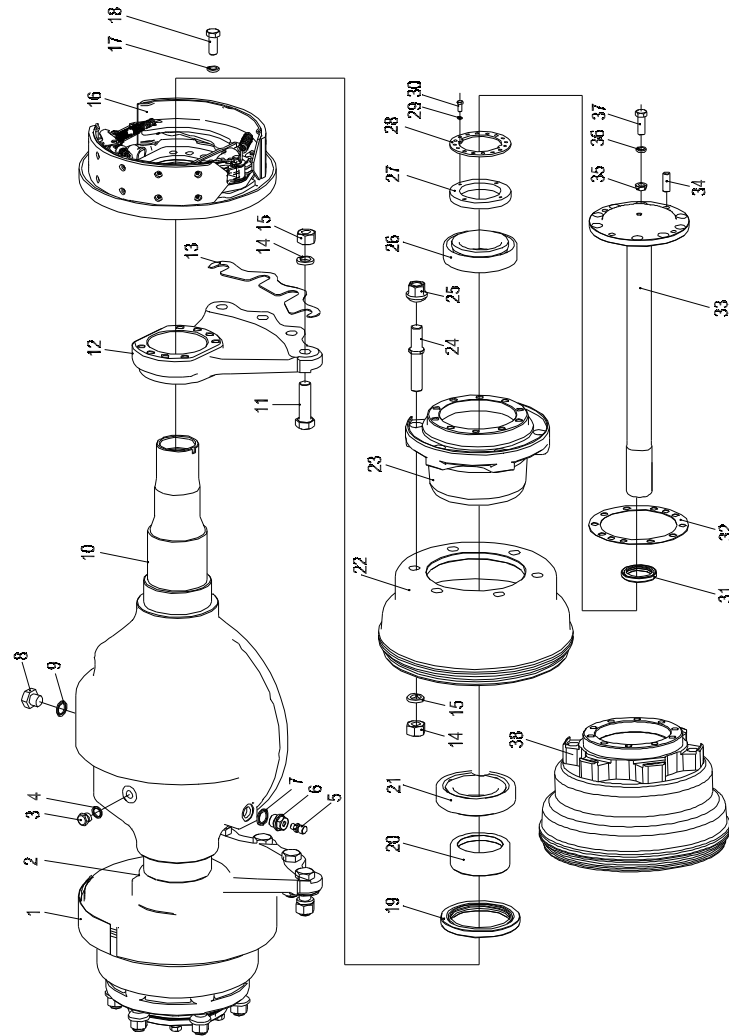


图 6 驱动桥总成
Fig.6 Drive axle assy

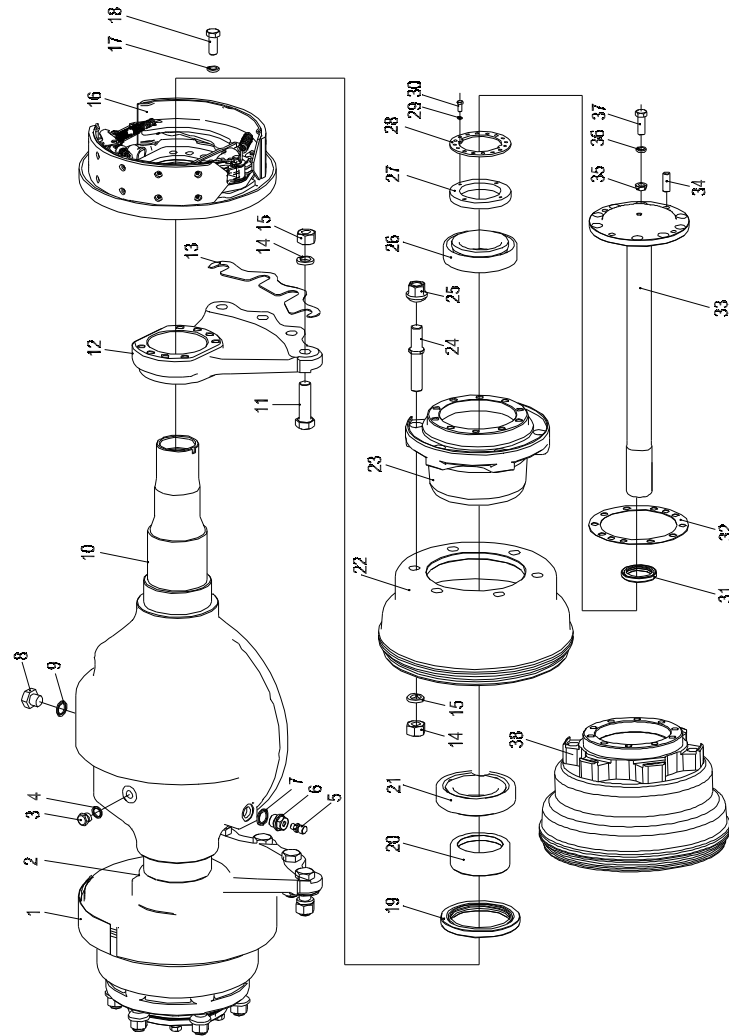
2.0t-3.8t
全部车型/All models of truck



序号 Item	物料码 Part NO.	名称 Description	数量 Qty	备注或适用车型 Remarks Or Serial No.
1		左制动器 Left brake	1	3.0t-3.8t 见图7-1 See Fig.7-1
1		左制动器 Left brake	1	2.0t-2.5t 见图7-3 See Fig.7-3
2	N163-110001-000	左支撑板 Left Plate	1	<2013-03-01,3.0t-3.8t
2	N163-110001-001	左支撑板 Left Plate	1	≥2013-03-01,3.0t-3.8t 除外 Except (A3)
2	N120-110001-000	左支撑板 Left Plate	1	<2013-03-01,2.0t-2.5t
2	N120-110001-001	左支撑板 Left Plate	1	≥2013-03-01,2.0t-2.5t 除外 Except (B3)
2	R561-110001-001	左支撑板 Left Plate	1	(A3)
2	R531-110001-001	左支撑板 Left Plate	1	(B3)
3	J001000-0161P5-00	六角螺塞 M16×1.5 Plug M16×1.5	1	
4	J000982-000016-00	垫圈 16 Washer 16	1	
5	Q903-Z1/8-G00	通气塞 Z1/8 Vented plug	1	<2013-05-24
6	N163-110017-000	内六角螺塞 Plug	1	
5	XB450-115000-000	呼吸器 Vented plug	1	前期用户, Early users 可两件一起更换 Can replacement two together
6	RC250-110004-000	内六角螺塞 Plug	1	≥2013-05-24
7	J000982-000022-00	垫圈 22 Washer 22	1	

图 6 驱动桥总成
Fig.6 Drive axle assy

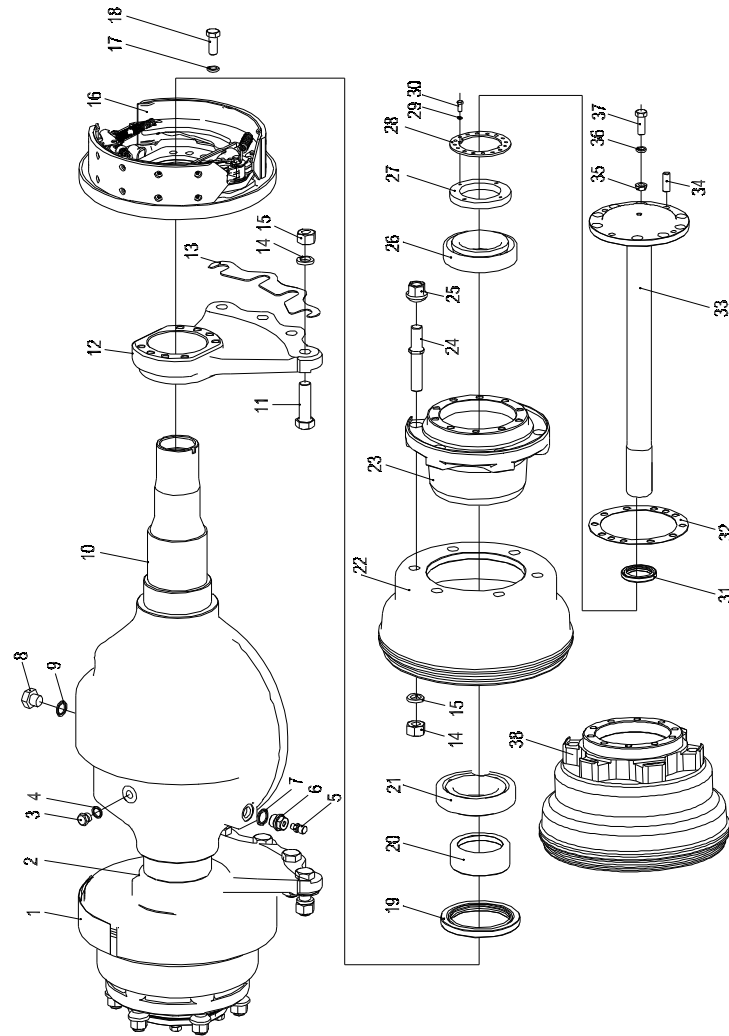
2.0t-3.8t
全部车型/All models of truck



序号 Item	物料码 Part NO.	名称 Description	数量 Qty	备注或适用车型 Remarks Or Serial No.
8	N163-110016-000	螺塞 Plug	1	
9	J000982-000020-00	垫圈 20 Washer 20	1	
10	A300-111001-000	桥体 Axle	1	3.0t-3.8t, 除外 Except (A3) (10)
10	A250-110001-000	桥体 Axle	1	2.0t-2.5t, 除外 Except (B3) (9)
10	AE310-110001-000	桥体 Axle	1	(A3) (10)
10	AE260-110001-000	桥体 Axle	1	(B3) (9)
11	A300-110003-000	连接螺栓 Bolt	8	除外 Except (A3) (B3) (9) (10)
11	N163-110004-000	连接螺栓 Bolt	8	(A3) (B3) (9) (10)
12	N163-110002-000	右支撑板 Right Plate	1	<2013-03-01,3.0t-3.8t
12	N163-110002-001	右支撑板 Right Plate	1	≥2013-03-01,3.0t-3.8t 除外 Except (A3) (10)
12	N120-110002-000	右支撑板 Right Plate	1	<2013-03-01,2.0t-2.5t
12	N120-110002-001	右支撑板 Right Plate	1	≥2013-03-01,2.0t-2.5t 除外 Except (B3) (9)
12	R561-110002-001	右支撑板 Right Plate	1	(A3) (10)
12	R531-110002-001	右支撑板 Right Plate	1	(B3) (9)
13	N163-110003-000	垫板 Plate	2	

图 6 驱动桥总成
Fig.6 Drive axle assy

2.0t-3.8t
全部车型/All models of truck



序号 Item	物料码 Part NO.	名称 Description	数量 Qty	备注或适用车型 Remarks Or Serial No.
14	G000093-000020-00	垫圈 20 Washer 20	20	
15	G006171-000020-05	螺母 M20×1.5 Nut M20×1.5	20	
16		右制动器 Right brake	1	3.0t-3.8t 见图7-2 See Fig.7-2
16		右制动器 Right brake	1	2.0t-2.5t 见图7-4 See Fig.7-4
17	G007244-000014-00	垫圈 14 Washer 14	16	
18	N163-110020-000	螺栓 Bolt	16	<2013-03-01
18	A300-110005-000	螺栓 Bolt	16	≥2013-03-01, 除外 Except (A3) (B3) (9) (10)
18	XF250-110007-000	螺栓 Bolt	16	(A3) (B3) (9) (10)
19	G9877P1-140010512-01	油封 FB105×140×12 Oil seal	2	
20	A300-110001-000	油封座 Oil Seat	2	
21	A300-110010-G00	轴承 7816 Bearing	2	
22	N163-110006-000	制动鼓 Brake drum	2	<2013-03-01 3.0t-3.8t
22	N120-110003-000	制动鼓 Brake drum	2	<2013-03-01 2.0t-2.5t
23	A300-110004-000	轮毂 Hub	2	<2013-03-01 3.0t-3.8t
23	A250-110004-000	轮毂 Hub	2	<2013-03-01 2.0t-2.5t

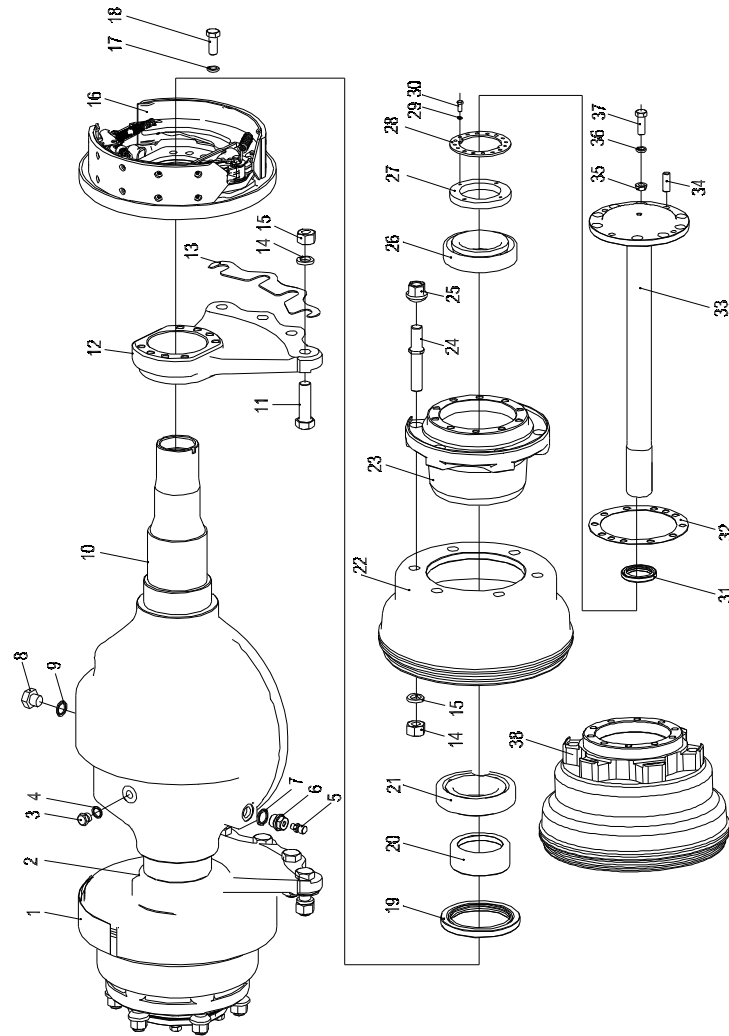
图 6 驱动桥总成
Fig.6 Drive axle assy

2.0t-3.8t
全部车型/All models of truck

序号 Item	物料码 Part NO.	名称 Description	数量 Qty	备注或适用车型 Remarks Or Serial No.
24	N163-110014-000	轮毂螺栓 Bolt, Hub	12	3.0t-3.8t 单轮 Single tyre
24	N163-110001-500	轮毂螺栓 Bolt, Hub	12	3.0t-3.8t 双轮 Double tyre
24	N120-110006-000	轮毂螺栓 Bolt, Hub	12	2.0t-2.5t 单轮 Single tyre
24	N120-110001-500	轮毂螺栓 Bolt, Hub	12	2.0t-2.5t 双轮 Double tyre
25	N163-110015-000	轮毂螺母 Nut, Hub	12	
26	N163-110100-G00	轴承 7815 Bearing	2	
27	N163-110009-000	锁紧螺母 Lock nut	2	
28	N163-110011-000	锁紧片 Locking shim	2	
29	G000093-000006-00	垫圈 6 Washer 6	4	
30	G005783-006012-00	螺栓 M6×12 Bolt M6×12	4	
31	HG40692-045006212-00	油封 PD45×62×12 Oil seal	2	除外 Except (A3) (B3) (9) (10)
31	HG40692-048006212-00	油封 PD48×62×12 Oil seal	2	(A3) (B3) (9) (10)
32	N163-110018-000	纸垫 Gasket	2	
33	N150-110001-000	半轴 Half shaft	2	<2013-03-01
33	N150-110001-001	半轴 Half shaft	2	≥2013-03-01 除外 Except (A3) (B3) (9) (10)

图 6 驱动桥总成
Fig.6 Drive axle assy

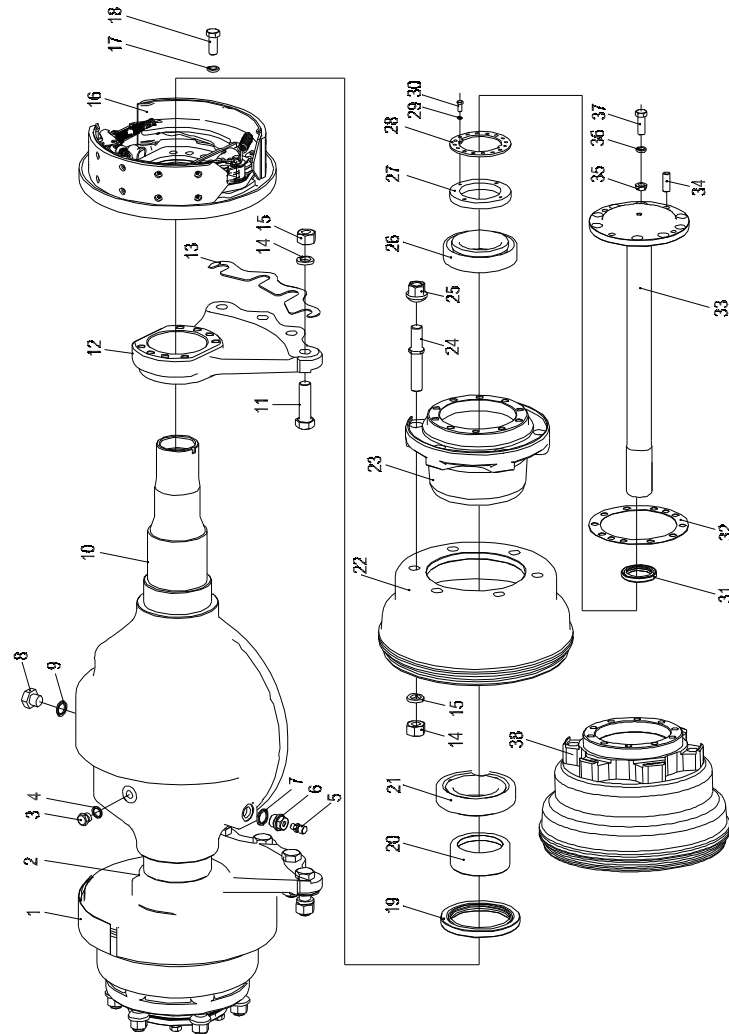
2.0t-3.8t
全部车型/All models of truck



序号 Item	物料码 Part NO.	名称 Description	数量 Qty	备注或适用车型 Remarks Or Serial No.
33	XB250-110001-000	半轴 Half shaft	2	Ⓐ Ⓑ ⑨ ⑩
34	G000119-012035-03	销 D12×35 Pin D12×35	4	<2013-03-01
34	G000119-012035-03	销 D12×35 Pin D12×35	2	Ⓐ Ⓑ ⑨ ⑩
35	N163-110019-000	压紧衬套 Clamp split-ring	16	<2013-03-01
35	N163-110019-000	压紧衬套 Clamp split-ring	18	Ⓐ Ⓑ ⑨ ⑩
36	G007244-000012-00	垫圈 12 Washer 12	16	<2013-03-01
36	G007244-000012-00	垫圈 12 Washer 12	18	Ⓐ Ⓑ ⑨ ⑩
37	N163-110021-000	螺栓 Bolt	16	<2013-03-01
37	A300-110006-000	螺栓 Bolt	20	≥2013-03-01 除外Except Ⓐ Ⓑ ⑨ ⑩
37	N163-110021-000	螺栓 Bolt	18	Ⓐ Ⓑ ⑨ ⑩
38	A300-110002-000	轮毂 Hub	2	3.0t-3.8t, ≥2013-03-01 单轮 Single tyre 除外Except Ⓐ ⑩
38	A300-110002-500	轮毂 Hub	2	3.0t-3.8t, ≥2013-03-01 双轮 Double tyre 除外Except Ⓐ ⑩
38	A250-110002-000	轮毂 Hub	2	2.0t-2.5t, ≥2013-03-01

图 6 驱动桥总成
Fig.6 Drive axle assy

2.0t-3.8t
全部车型/All models of truck



序号 Item	物料码 Part NO.	名称 Description	数量 Qty	备注或适用车型 Remarks Or Serial No.
38	XF300-110002-001	轮毂 Hub	2	Ⓐ3 ⑩
38	XF250-110004-001	轮毂 Hub	2	Ⓑ3 ⑨

图 7-1 左制动器总成
Fig.7-1 Brake assy,LH

3.0t-3.8t
全部车型 All models of truck

序号 Item	物料码 Part No.	名称 Description	数量 Qty	备注或适用车型 Remarks or Serial No.
A1	N163-111000-G00	左制动器总成 Brake assy,LH	1	<2013-03-01
A1	N163-111000-G01	左制动器总成 Brake assy,LH	1	≥2013-03-01,驱动桥改进 Drive axle Improve 除外Except (A3) (B3) (9) (10)
A1	N163-111000-G02	左制动器总成 Brake assy,LH	1	(A3) (B3) (9) (10)
1	GB21-76- M8×1.25×25-6g	螺栓 M8×1.25×25-6g Bolt M8×1.25×25-6g	2	
2	GB91-76-8	弹簧垫圈 8 Washer 8	2	
3	24433-70040G	胶堵 Cove adjusting hole	1	
4	24433-70010G	压簧拉杆 Spring parking	2	
5	24433-72000G-L	左制动器底板总成 Brake plate assy,LH	1	<2013-03-01
5	24433-72000G01-L	左制动器底板总成 Brake plate assy,LH	1	≥2013-03-01,驱动桥改进 Drive axle Improve
6	24433-70150G	拉杆销 Pin	1	
7	24433-70140G-L	左手制动拉杆 Lever parking,LH	1	
A2	24433-71/5000G-L	制动蹄总成(左) Brake shoe assy,LH	1	包含/INC:8,20, 除外 Except (A3) (B3) (9) (10)
A2	FHXX24433-71/5000G-L	制动蹄总成(左) Brake shoe assy,LH	1	包含/INC:8,20, (A3) (B3) (9) (10)

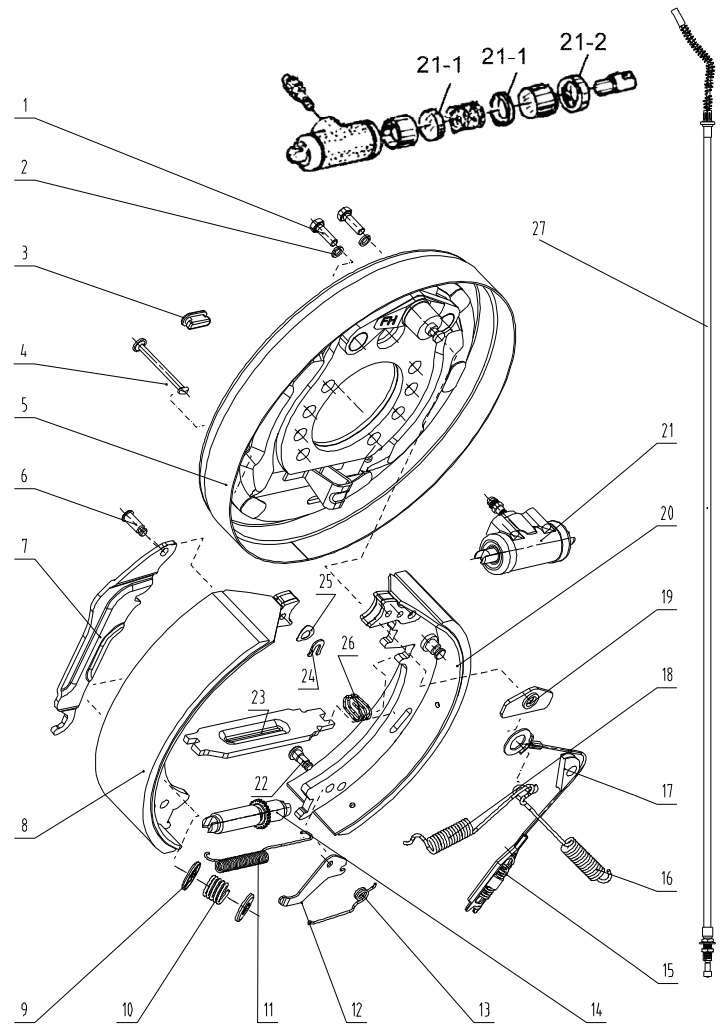


图 7-1 左制动器总成
Fig.7-1 Brake assy,LH

3.0t-3.8t
全部车型 All models of truck

序号 Item	物料码 Part No.	名称 Description	数量 Qty	备注或适用车型 Remarks or Serial No.
8	24433-75000G	制动蹄带摩擦片总成 Brake shoe	1	See Item A2 ,不单独提供 Do not supply separately 除外 Except (A3) (B3) (9) (10)
8	NO PART NO.	制动蹄带摩擦片总成 Brake shoe	1	See Item A2 ,不单独提供 Do not supply separately (A3) (B3) (9) (10)
9	24433-70020G	压簧座 Spring seating	4	
10	24433-70030G	压簧 Spring	2	
11	24433-70050G	拉簧 Spring	1	
12	24433-70100G-L	左棘爪 Lever,LH	1	
13	24433-70090G-L	左扭簧 Twist spring,LH	1	
14	24433-74000G-L	左间隙调整器总成 Adjusting fitting assy,LH	1	
15	24433-73000G	弹簧拉线装置 Spring fitting assy	1	
16	24433-70071G-L	左回位弹簧 (后) Return spring, Left rear	1	
17	24433-70081G	导向块 Oriented block	1	
18	24433-70070G-L	左回位弹簧 (前) Return spring, Left Front	1	
19	24433-70060G	导向板 Guide Strip	1	

图 7-1 左制动器总成
Fig.7-1 Brake assy,LH

3.0t-3.8t
全部车型 All models of truck

序号 Item	物料码 Part No.	名称 Description	数量 Qty	备注或适用车型 Remarks or Serial No.
20	24433-71001G-L	左制动蹄带摩擦片及挂簧销总成 Left Brake shoe with spring pin	1	见序号 A2,See Item A2 不单独提供 Do not supply separately 除外 Except (A3) (B3) (9) (10)
20	NO PART NO.	左制动蹄带摩擦片及挂簧销总成 Left Brake shoe with spring pin	1	见序号 A2,See Item A2 不单独提供 Do not supply separately (A3) (B3) (9) (10)
21	24433-76000G	制动分泵总成 Wheel cylinder assy	1	
21-1	24433-76030G	分泵皮碗 Cup,piston	2	
21-2	22673-72101	制动分泵护罩 Cover,dust	2	
22	24433-70110G	扭簧销 Pin	1	
23	24433-70120G-L	左手制动推杆 Lever pushing,LH	1	
24	24433-70170G	杆销挡圈 Retainer	1	
25	24433-70160G	弹性垫片 Washer,lock	1	
26	24433-70130G	弹簧 Spring	1	
27	N163-111100-000	手制动钢索总成(左) Cable, Control,LH	1	

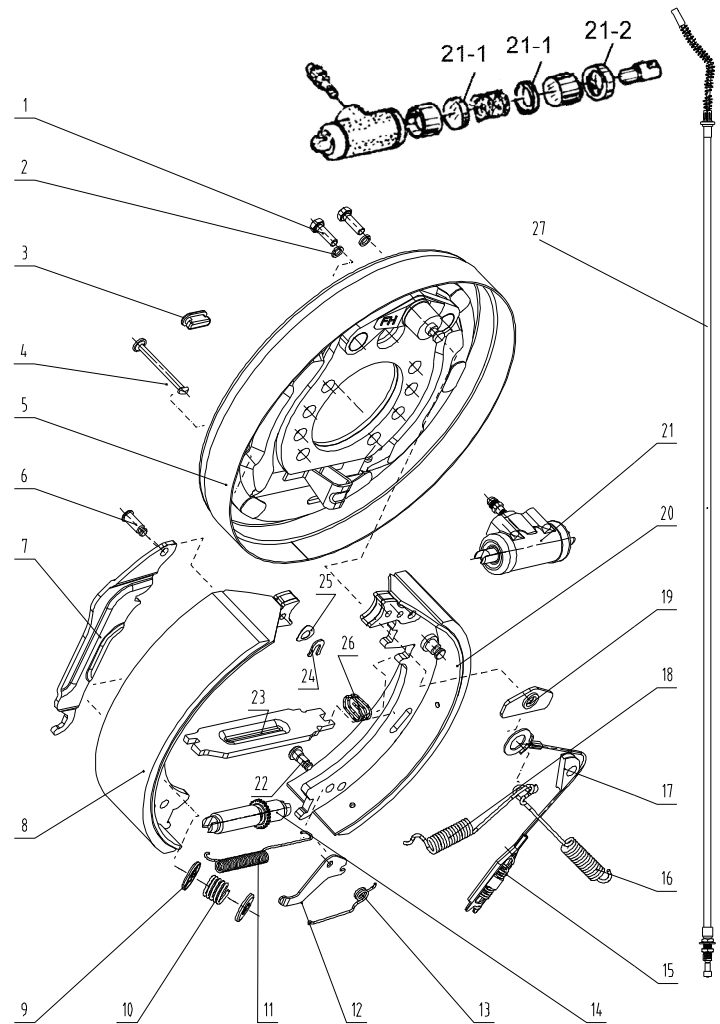


图 7-2 右制动器总成
Fig.7-2 Brake assy,RH

3.0t-3.8t
全部车型 All models of truck

序号 Item	物料码 Part No.	名称 Description	数量 Qty	备注或适用车型 Remarks or Serial No.
A1	N163-112000-G00	右制动器总成 Brake assy,RH	1	<2013-03-01
A1	N163-112000-G01	右制动器总成 Brake assy,RH	1	≥2013-03-01,驱动桥改进 Drive axle Improve 除外Except (A3) (B3) (9) (10)
A1	R561-111000-G01	右制动器总成 Brake assy,RH	1	(A3) (B3) (9) (10)
1	GB21-76- M8×1.25×25-6g	螺栓 M8×1.25×25-6g Bolt M8×1.25×25-6g	2	
2	GB91-76-8	弹簧垫圈 8 Washer 8	2	
3	24433-70040G	胶堵 Cove adjusting hole	1	
4	24433-70010G	压簧拉杆 Spring parking	2	
5	24433-72000G-R	右制动器底板总成 Brake plate assy,RH	1	<2013-03-01
5	24433-72000G01-R	右制动器底板总成 Brake plate assy,RH	1	≥2013-03-01,驱动桥改进 Drive axle Improve
6	24433-70150G	拉杆销 Pin	1	
7	24433-70140G-R	右手制动拉杆 Lever parking,RH	1	
A3	24433-71/5000G-R	制动蹄总成(右) Brake shoe assy,RH	1	包含/INC:8,20, 除外 Except (A3) (B3) (9) (10)
A3	FHXX24433-71/5000G-R	制动蹄总成(右) Brake shoe assy,RH	1	包含/INC:8,20, (A3) (B3) (9) (10)

图 7-2 右制动器总成
Fig.7-2 Brake assy,RH

3.0t-3.8t
全部车型 All models of truck

序号 Item	物料码 Part No.	名称 Description	数量 Qty	备注或适用车型 Remarks or Serial No.
8	24433-75000G	制动蹄带摩擦片总成 Brake shoe	1	See Item A3 ,不单独提供 Do not supply separately 除外 Except (A3) (B3) (9) (10)
8	NO PART NO.	制动蹄带摩擦片总成 Brake shoe	1	See Item A3 ,不单独提供 Do not supply separately (A3) (B3) (9) (10)
9	24433-70020G	压簧座 Spring seating	4	
10	24433-70030G	压簧 Spring	2	
11	24433-70050G	拉簧 Spring	1	
12	24433-70100G-R	右棘爪 Lever,RH	1	
13	24433-70090G-R	右扭簧 Twist spring,RH	1	
14	24433-74000G-R	右间隙调整器总成 Adjusting fitting assy,RH	1	
15	24433-73000G	弹簧拉线装置 Spring fitting assy	1	
16	24433-70071G-R	右回位弹簧（后） Return spring, Right rear	1	
17	24433-70081G	导向块 Oriented block	1	
18	24433-70070G-R	右回位弹簧（前） Return spring, Right Front	1	
19	24433-70060G	导向板 Guide Strip	1	

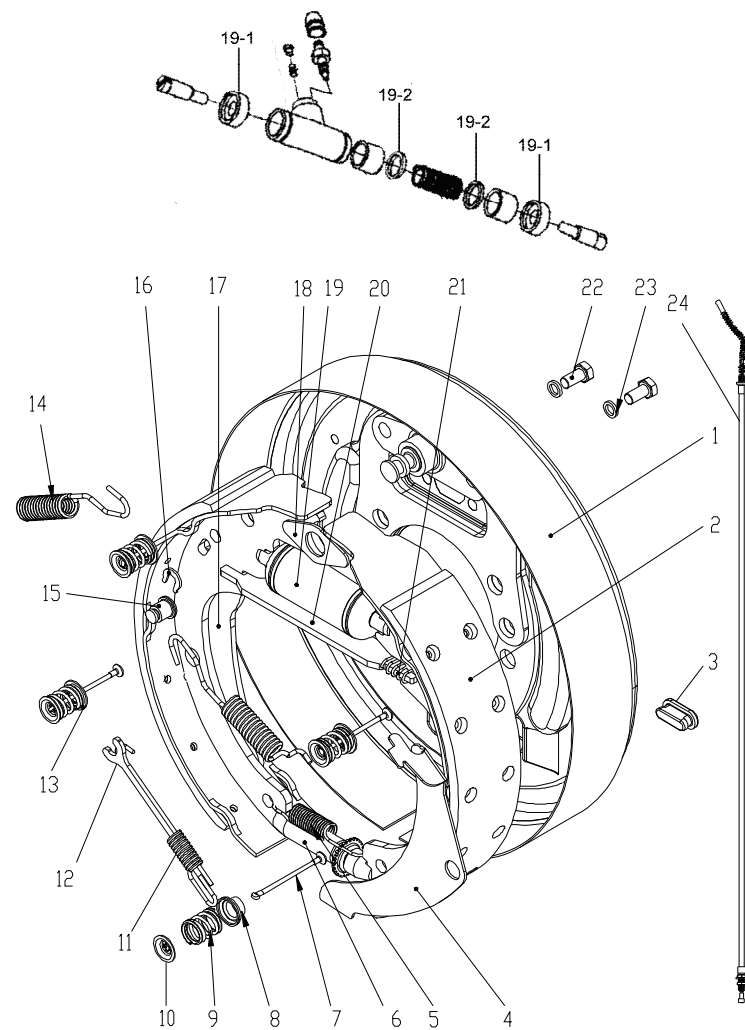
图 7-2 右制动器总成
Fig.7-2 Brake assy,RH

3.0t-3.8t
全部车型 All models of truck

序号 Item	物料码 Part No.	名称 Description	数量 Qty	备注或适用车型 Remarks or Serial No.
20	24433-71001G-R	右制动蹄带摩擦片及挂簧销总成 Right Brake shoe with spring pin	1	见序号 A3,See Item A3 不单独提供 Do not supply separately 除外 Except (A3) (B3) (9) (10)
20	NO PART NO.	右制动蹄带摩擦片及挂簧销总成 Right Brake shoe with spring pin	1	见序号 A3,See Item A3 不单独提供 Do not supply separately (A3) (B3) (9) (10)
21	24433-76000G	制动分泵总成 Wheel cylinder assy	1	
21-1	24433-76030G	分泵皮碗 Cup,piston	2	
21-2	22673-72101	制动分泵护罩 Cover,dust	2	
22	24433-70110G	扭簧销 Pin	1	
23	24433-70120G-R	右手制动推杆 Lever pushing,RH	1	
24	24433-70170G	杆销挡圈 Retainer	1	
25	24433-70160G	弹性垫片 Washer,lock	1	
26	24433-70130G	弹簧 Spring	1	
27	N163-112200-000	手制动钢索总成(右) Cable, Control,RH	1	剩余车型 Remaining models
27	R561-111100-000	手制动钢索总成(右) Cable, Control,RH	1	(A3) (B3) (9) (10)

图 7-3 左制动器总成
Fig.7-3 Brake assy,LH

2.0t-2.5t
全部车型 All models of truck



序号 Item	物料码 Part No.	名称 Description	数量 Qty	备注或适用车型 Remarks or Serial No.
A1	N120-111000-G00	左制动器总成 Brake assy,LH	1	<2016-12-21
A1	N120-111000-G01	左制动器总成 Brake assy,LH	1	≥2016-12-21
1	23653-73011-L	左制动器底板总成 Brake plate assy,LH	1	
2	23653-73021	制动蹄带摩擦片总成 Brake shoe	2	<2016-12-21
2	FHXX23653-73021	制动蹄带摩擦片总成 Brake shoe	2	≥2016-12-21
3	22673-72321	胶堵 Plug,Rubber	2	
4	23653-72151-L	左调整杠杆 Adjust lever,LH	1	
5	23653-72051	下端回位弹簧 Spring	1	
6	23653-72041-L	左间隙调整器总成 Gap adjuster assy,LH	1	
7	23653-72101	压簧拉杆 Pin,Shoe-hold	4	
8	23653-72121	压簧座 Washer,Cup	1	
9	23653-72091	弹簧 Spring	4	
10	23653-72111	压簧盖 Washer, Cup	4	
11	23653-72171	拉簧 Spring,Actuator	1	
12	23653-72161	顶杆 Stopper,Pawl-lever	1	

图 7-3 左制动器总成
Fig.7-3 Brake assy,LH

2.0t-2.5t
全部车型 All models of truck

序号 Item	物料码 Part No.	名称 Description	数量 Qty	备注或适用车型 Remarks or Serial No.
13	23653-72191	压簧座 Washer,Cup	3	
14	23673-72261	回位弹簧 Spring,Shoe return	2	
15	22673-72231	拉杆销 Pin,Lever	1	
16	22673-72251	垫片 Shim	1	
17	23653-72071-L	左手制动拉杆 Brake lever,LH	1	
18	23653-72131	垫片 Plate,Shoe guide	1	
19	22373-72041-L	左制动分泵总成 Cylinder assy,LH	1	
19-1	22673-72081G	分泵皮碗 Cup,piston	2	
19-2	22673-72101	制动分泵护罩 Cover,dust	2	
20	23653-72081	手制动推杆 Strut	1	
21	23673-72391	压缩弹簧 Spring	1	
22	G005782-008016-00	螺栓 M8×16 Bolt M8×16	2	
23	G000093-000008-00	垫圈 8 Washer 8	2	
24	N163-111100-000	左制动钢索总成 Cable,Control,LH	1	

图 7-4 右制动器总成
Fig.7-4 Brake assy,RH

2.0t-2.5t
全部车型 All models of truck

序号 Item	物料码 Part No.	名称 Description	数量 Qty	备注或适用车型 Remarks or Serial No.
A1	N120-112000-G00	右制动器总成 Brake assy,RH	1	剩余车型 <2016-12-21 Remaining models
A1	N120-112000-G01	右制动器总成 Brake assy,RH	1	剩余车型 ≥2016-12-21 Remaining models
A1	R531-111000-G00	右制动器总成 Brake assy,RH	1	Ⓐ3 Ⓑ3 ⑨ ⑩
1	23653-73011-R	右制动器底板总成 Brake plate assy,RH	1	
2	23653-73021	制动蹄带摩擦片总成 Brake shoe	2	<2016-12-21
2	FHXX23653-73021	制动蹄带摩擦片总成 Brake shoe	2	≥2016-12-21
3	22673-72321	胶堵 Plug,Rubber	2	
4	23653-72071-R	右手制动拉杆 Brake lever,RH	1	
5	23653-72101	压簧拉杆 Pin,Shoe-hold	4	
6	23653-72191	压簧座 Washer,Cup	3	
7	23653-72091	弹簧 Spring	4	
8	23653-72111	压簧盖 Washer, Cup	4	
9	23653-72051	下端回位弹簧 Spring	1	
10	23653-72041-R	右间隙调整器总成 Gap adjuster assy,RH	1	
11	23653-72151-R	右调整杠杆 Adjust lever,RH	1	

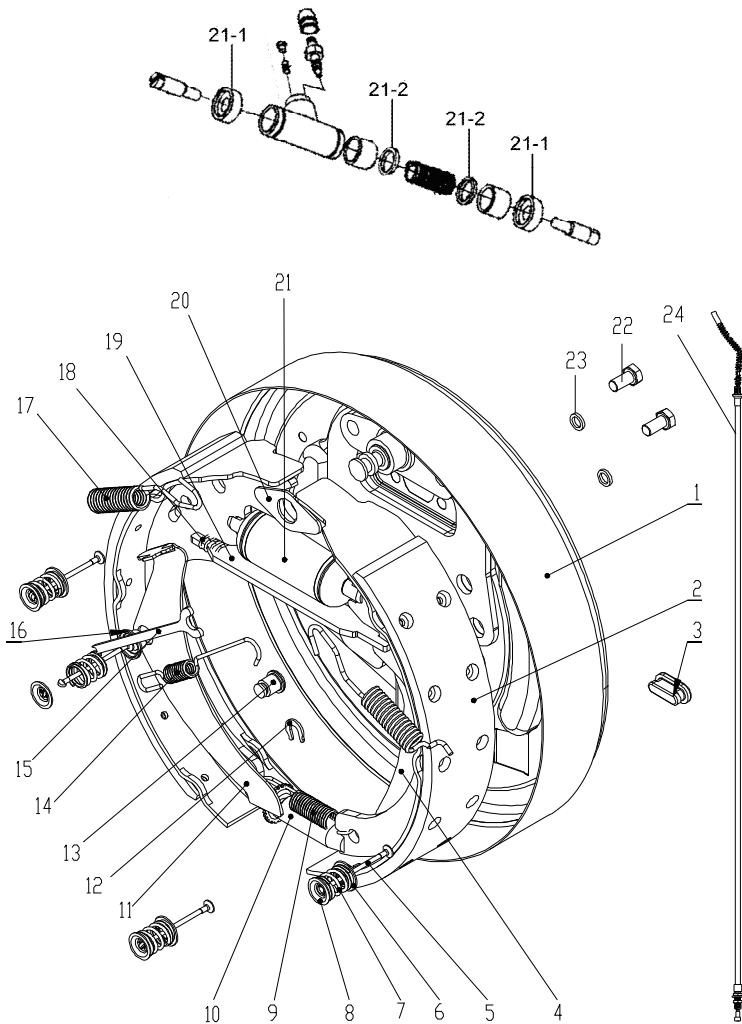


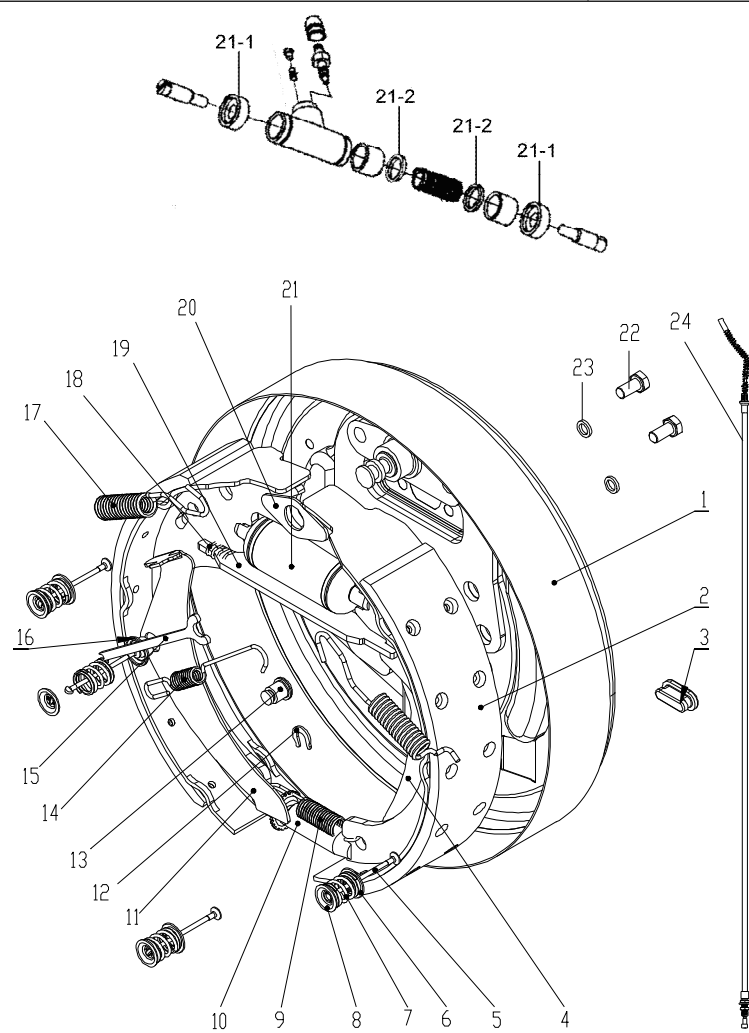
图 7-4 右制动器总成
Fig.7-4 Brake assy,RH

2.0t-2.5t
全部车型 All models of truck

序号 Item	物料码 Part No.	名称 Description	数量 Qty	备注或适用车型 Remarks or Serial No.
12	22673-72251	垫片 Shim	1	
13	22673-72231	拉杆销 Pin,Lever	1	
14	23653-72171	拉簧 Spring,Actuator	1	
15	23653-72161	顶杆 Stopper,Pawl-lever	1	
16	23653-72121	压簧座 Washer,Cup	1	
17	23673-72261	回位弹簧 Spring,Shoe return	2	
18	23673-72391	压缩弹簧 Spring	1	
19	23653-72081	手制动推杆 Strut	1	
20	23653-72131	垫片 Plate,Shoe guide	1	
21	22373-72041-R	右制动分泵总成 Cylinder assy,RH	1	
21-1	22673-72081G	分泵皮碗 Cup,piston	2	
22-2	22673-72101	制动分泵护罩 Cover,dust	2	
22	G005782-008016-00	螺栓 M8×16 Bolt M8×16	2	
23	G000093-000008-00	垫圈 8 Washer 8	2	
24	N163-112200-000	右制动钢索总成 Cable,Control,RH	1	剩余车型 Remaining models

图 7-4 右制动器总成
Fig.7-4 Brake assy,RH

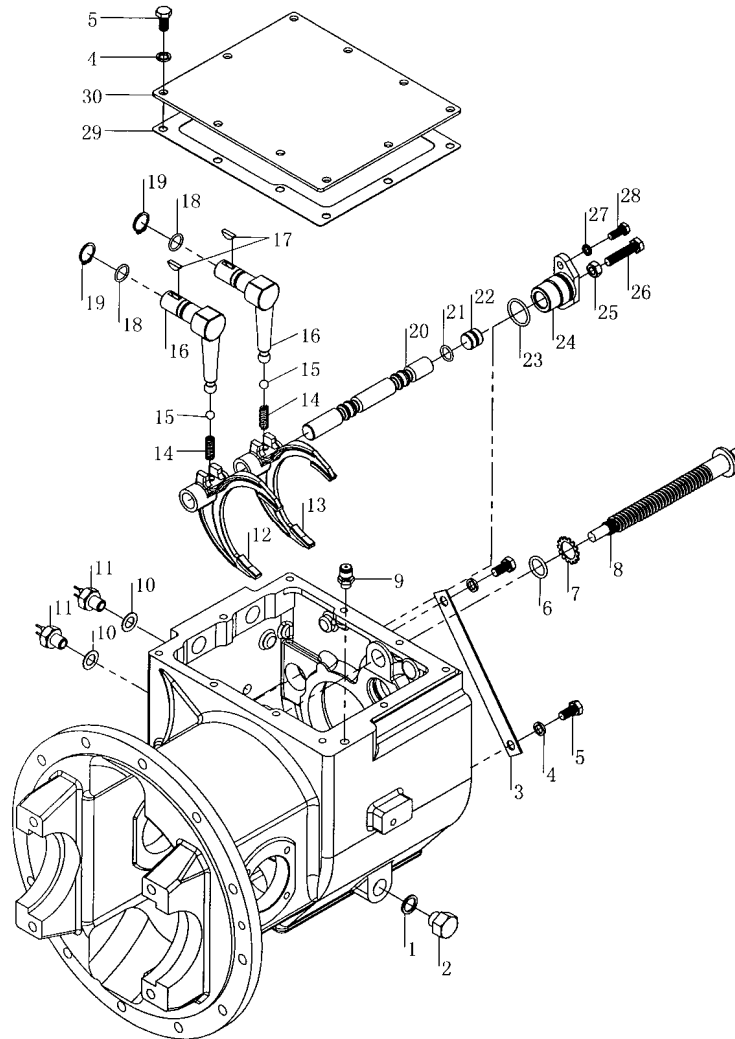
2.0t-2.5t
全部车型 All models of truck



序号 Item	物料码 Part No.	名称 Description	数量 Qty	备注或适用车型 Remarks or Serial No.
24	R561-111100-000	手制动钢索总成(右) Cable, Control,RH	1	ⒶⓅ ⒷⓅ ⑨ ⑩

图8 变速器(机械式 其1) 绍兴 ShaoXing
Fig.8 Transmission(clutch type part-1)

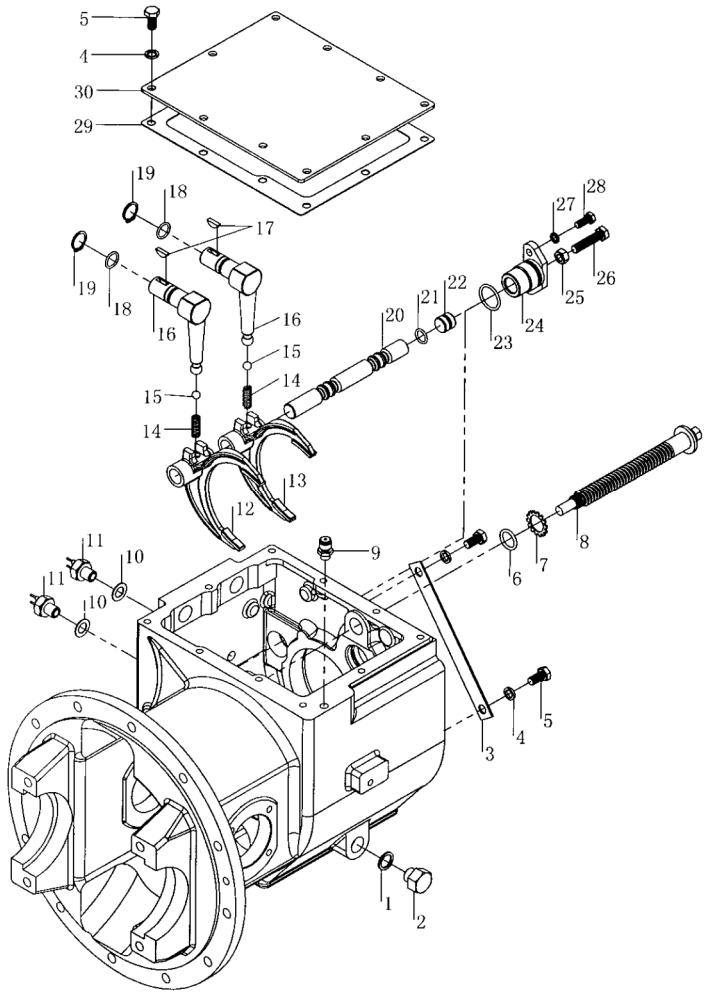
1.0t-3.5t
JDS 系列机械变速箱 JDS Series Mechanical Gearbox



序号 Item	物料码 Part No.	名称 Description	数量 Qty	备注或适用车型 Remarks or Serial No.
1	Q20-03-18×24×2	密封垫圈 18×24×2 Washer 18×24×2	1	
2	JB/ZQ4447-86 R1/2	螺塞 Plug	1	<2013-01-01
2	JDS30-0046	螺塞 M18×1.5 Plug M18×1.5	1	≥2013-01-01
3	JDS30-0042	挡板 Plate	1	≥2013-01-01
4	GB93-87-10	弹簧垫圈 10 Washer lock 10	12	
5	GB5783-86-M10×20	螺栓 M10×20 Bolt M10×20	12	
6	GB1235-76-28×3.5	O 形密封圈 28×3.5 O-ring	1	
7	JDS30-0017	外齿弹性垫圈 Washer	1	
8	JDS30-0010	滑动螺杆 Bolt,slide	1	
9	JDS30-0001	塞体 Air breather	1	<2013-01-01
9	JDS30-0002	盖 Cover	1	<2013-01-01
9	Q903-Z“1/8”—27	钢球通气塞 Z“1/8”—27 Air breather	1	≥2013-01-01
10	14×24×2 Q/301B202-86	密封圈 14×24×2 Seal ring	1	<2013-01-01
10	14×24×1 Q/301B202-86	密封圈 14×24×1 Seal ring 14×24×1	2	≥2013-01-01
11	JK208	倒车灯开关 Switch,back-lamp	1	<2013-01-01

图8 变速器(机械式 其1) 绍兴 ShaoXing
Fig.8 Transmission(clutch type part-1)

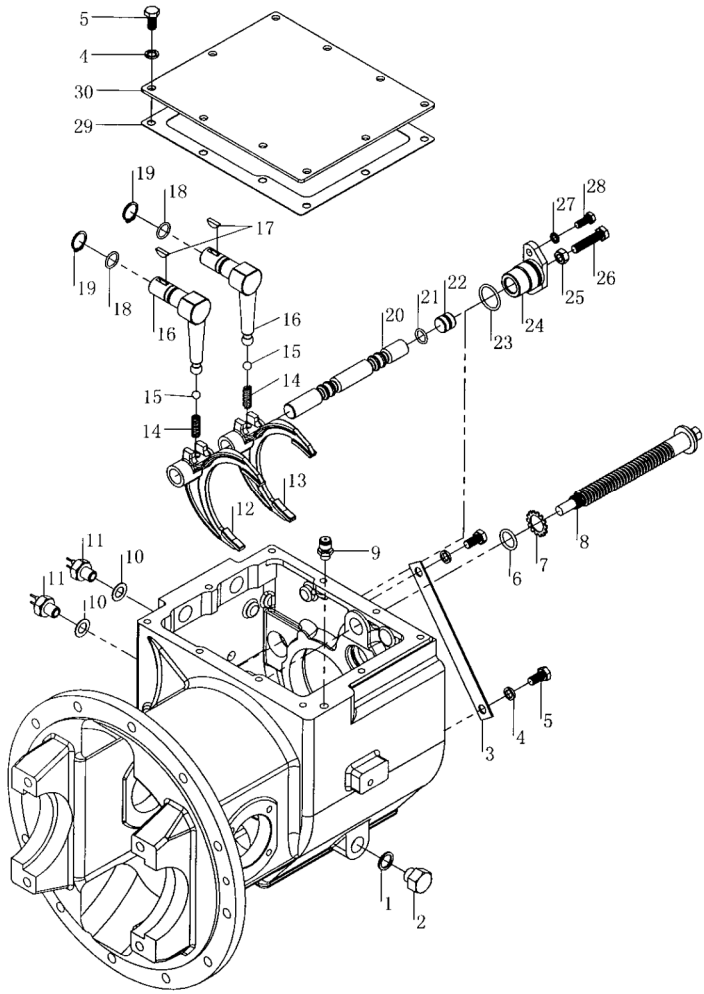
1.0t-3.5t
JDS 系列机械变速箱 JDS Series Mechanical Gearbox



序号 Item	物料码 Part No.	名称 Description	数量 Qty	备注或适用车型 Remarks or Serial No.
11	JK611T	倒车灯开关 Switch,back-lamp	2	≥2013-01-01
12	JDS30-0003	拨叉 Fork,shift	1	<2013-01-01
12	JDS30IIL-0003	拨叉 Fork,shift	1	≥2013-01-01
13	JDS30-0003	拨叉 Fork,shift	1	
14	JDS30-0004	弹簧 Spring	2	
15	GB308-89-10.000G200b	钢球 10.0000 G2006 Ball,steel	2	
16	JDS30-0006	传动杆 Lever,shift	2	
17	GB1099-79-5×19	半圆键 5×19 Key,woodruf 5×19	2	
18	GB1235-76-22×2.4	O 形圈 22×2.4 O-ring 22×2.4	2	
19	GB894.1-86-22	轴用弹性挡圈 22 Snap ring 22	2	
20	JDS30-0005	换挡杆 Rod,shift	1	
21	GB1235-76-20×2.4	O 形圈 20×2.4 O-ring 20×2.4	1	<2013-01-01
21	GB1235-76-20×2.5	O 形密封圈 20×2.5 O-ring 20×2.5	1	≥2013-01-01
22	JDS30-0043	塞 Plug	1	
23	GB1235-76-35×3.1	O 形密封圈 35×3.1 O-ring 35×3.1	1	

图8 变速器(机械式 其1) 绍兴 ShaoXing
Fig.8 Transmission(clutch type part-1)

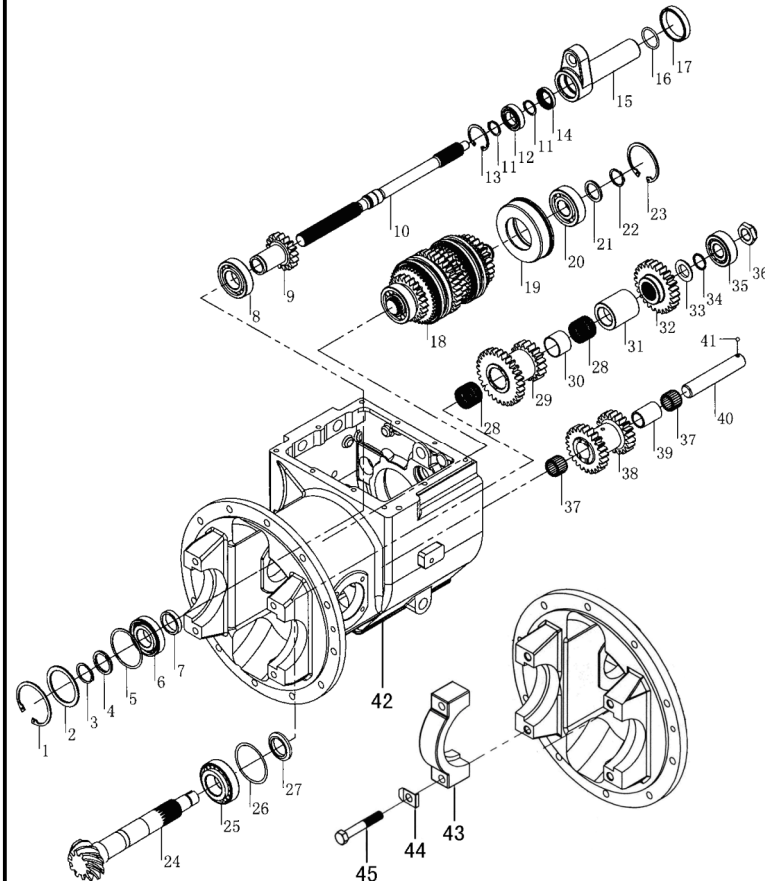
1.0t-3.5t
JDS 系列机械变速箱 JDS Series Mechanical Gearbox



序号 Item	物料码 Part No.	名称 Description	数量 Qty	备注或适用车型 Remarks or Serial No.
24	JDS30-0041	轴臂 Supporter, arm shaft	1	
25	GB6170-86-M10	螺母 M10 Nut M10	1	
26	GB5783-86-M10×45	螺栓 M10×45 Bolt M10×45	1	
27	GB93-87-8	弹簧垫圈 8 Washer lock 8	2	
28	GB5783-86-M8×20	螺栓 M8×20 Bolt M8×20	2	
29	JDS30-0008	箱盖垫片 Gasket, case cover	1	
30	JDS30-0007	箱盖 Cover, case	1	

图9 变速器(机械式 其2) 绍兴 ShaoXing
Fig.9 Transmission(clutch type part-2)

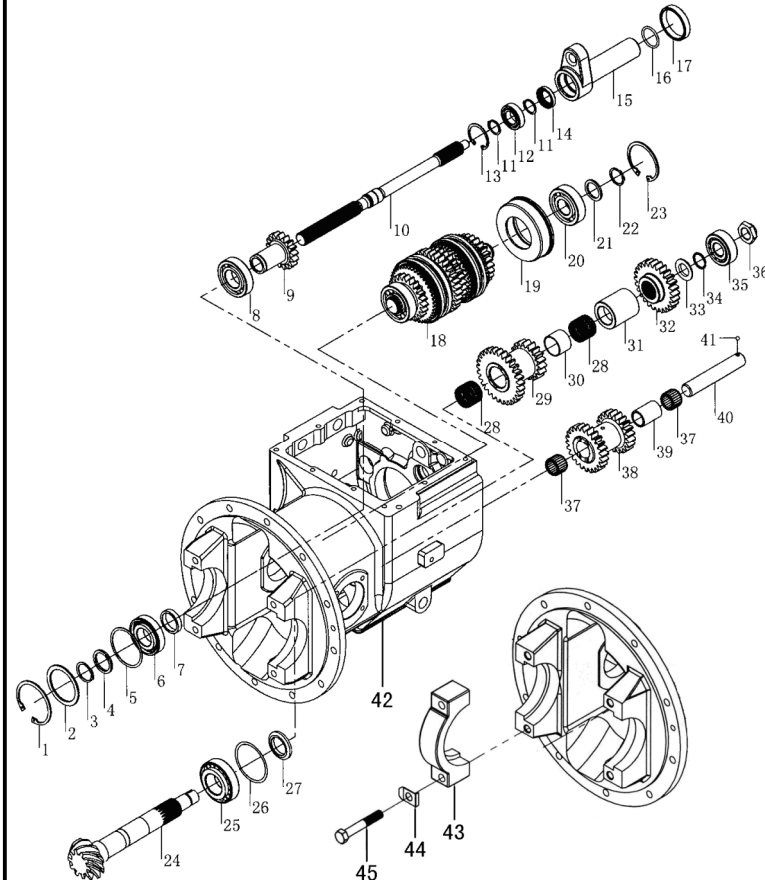
1.0t-3.5t
JDS 系列机械变速箱 JDS Series Mechanical Gearbox



序号 Item	物料码 Part No.	名称 Description	数量 Qty	备注或适用车型 Remarks or Serial No.
1	GB893.2-86-80	孔用弹性挡圈 80 Snap ring 80	1	
2	JDS30-0009	轴承垫圈 Spacer	1	
3	GB894.1-86-35	轴用弹性挡圈 35 Snap ring 35	1	
4	JDS30-0202	隔圈 Spacer	1	
5	GB305-89-72/78.6	止动环 72/78.6 Ring,thrust	1	
6	GB276-94-6207N	轴承 6207N bearing	1	
7	JDS30-0203	隔套 Spacer	1	
8	GB276-94-6207	轴承 6207 bearings	1	
9	JDS30-0201	输入齿轮 Gear,input	1	
10	JDS30-0301	主动轴 Shaft,main drive	1	
11	GB894.1-86-25	轴用弹性挡圈 25 Snap ring	2	
12	GB276-94-6005	轴承 6005 bearing	1	
13	GB893.2-86-47	孔用弹性挡圈 47 Snap ring	1	
14	JDS30-0019	油封 25×40×8 Seal,oil	1	
15	JDS30-0016	轴承架 Retainer,bearing	1	

图9 变速器(机械式 其2) 绍兴 ShaoXing
Fig.9 Transmission(clutch type part-2)

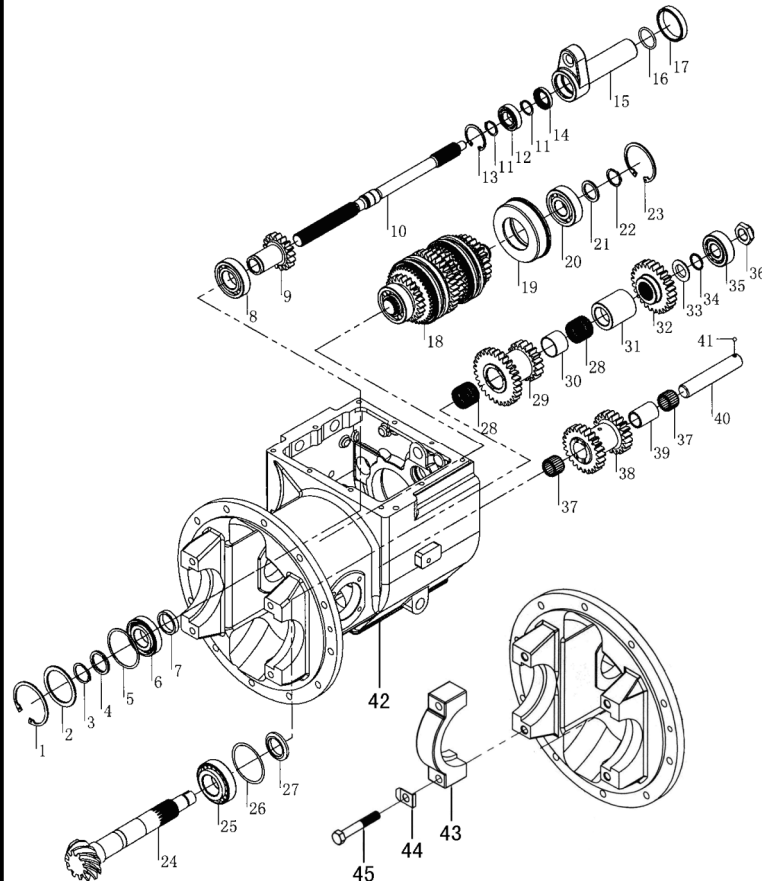
1.0t-3.5t
JDS 系列机械变速箱 JDS Series Mechanical Gearbox



序号 Item	物料码 Part No.	名称 Description	数量 Qty	备注或适用车型 Remarks or Serial No.
16	GB1235-76-42×3.5	O 形密封圈 42×3.5 O-ring	1	
17	JDS30-0018	轴环 Collar	1	
18	JDS30-0400	主轴组件 Spindle assy	1	见图 9-a See Fig. 9-a
19	JDS30-0029	轴承保持圈 Retainer, bearing	1	
20	GB276-94-6306	轴承 6306 bearing	1	
21	JDS30-0027	隔圈 Spacer	1	
22	GB894.1-86-30	轴用弹性挡圈 30 Snap ring	1	
23	GB893.2-86-72	孔用弹性挡圈 72 Snap ring	1	
24	JDS18-0001	输出轴 Shaft,output	1	1.0t-1.8t
	JDS30-0040			2.0t-3.5t
25	GB297-94-32208	轴承 32208 bearing	1	
26	JDS30-0011 (δ=0.1)	垫片 δ=0.1 Shim	按需 Need d	
	JDS30-0011 (δ=0.2)	垫片 δ=0.2 Shim		
	JDS30-0011 (δ=0.3)	垫片 δ=0.3 Shim		

图9 变速器(机械式 其2) 绍兴 ShaoXing
Fig.9 Transmission(clutch type part-2)

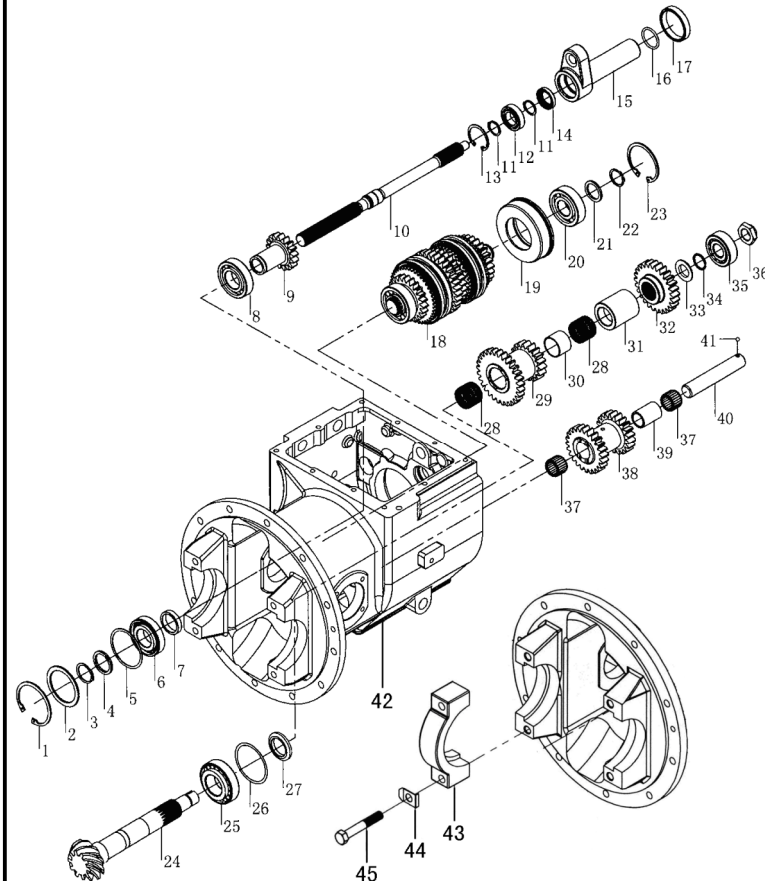
1.0t-3.5t
JDS 系列机械变速箱 JDS Series Mechanical Gearbox



序号 Item	物料码 Part No.	名称 Description	数量 Qty	备注或适用车型 Remarks or Serial No.
27	JDS30-0012	止推垫圈 Washer,stop	1	
28	35×40×30	滚针轴承 Bearing,needle	2	
29	JDS30-0014	双联齿轮 Gear,cluster	1	
30	JDS30-0013	衬套 Spacer	1	
31	JDS30-0015	衬套 Spacer	1	
32	JDS30-0020	输出齿轮 Gear,output	1	
33	JDS30-0021	止推板 Plate,thrust	1	
34	JDS30-0022	隔环 spacer ring	1	
35	GB297-94-32305	轴承 32305 Bearing 32305	1	
36	JDS30-0023	锁紧螺母 Lock nut	1	
37	25×33×24	滚针轴承 Bearing,needle	2	
38	JDS30-0035	惰轮 Gear,reverse,idler	1	
39	JDS30-0036	衬套 Spacer	1	
40	JDS30-0034	惰轮轴 Shaft, reverse idler	1	
41	GB308-89-6.3500 G2006	钢球 6.3500 G2006 Ball,steel	1	

图9 变速器(机械式 其2) 绍兴 ShaoXing
Fig.9 Transmission(clutch type part-2)

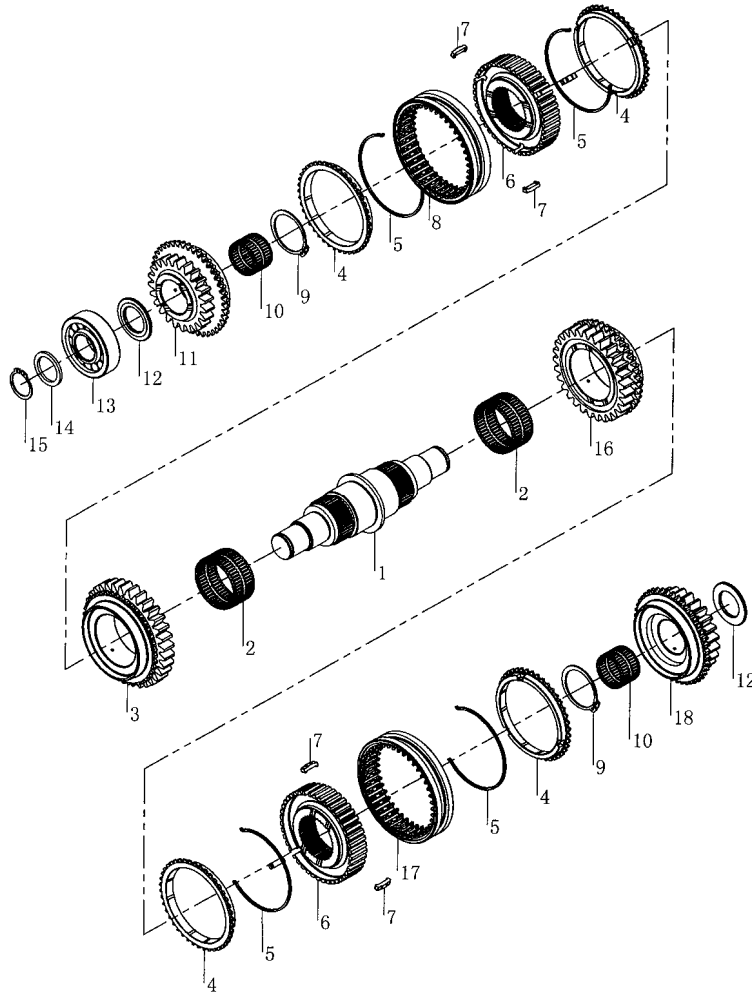
1.0t-3.5t
JDS 系列机械变速箱 JDS Series Mechanical Gearbox



序号 Item	物料码 Part No.	名称 Description	数量 Qty	备注或适用车型 Remarks or Serial No.
42	JDS25-0101	机械变速箱壳体 Case,transmission	1	1.0t-1.8t
42	JDS30-0101	机械变速箱壳体 Case,transmission	1	2.0t-3.5t
43	YQX25-0101	轴承座 Cap,bearing	2	1.0t-1.8t
43	YQX30-0102	轴承座 Cap,bearing	2	2.0t-3.5t
44	YQX25-0004	锁片 Plate,lock	4	1.0t-1.8t
44	YQX30-0023	锁片 Plate,lock	4	2.0t-3.5t
45	YQX30-0101	螺栓 Bolt	4	

图 9-a 主轴组件 (绍兴)
Fig.9-a Spindle assy (ShaoXing)

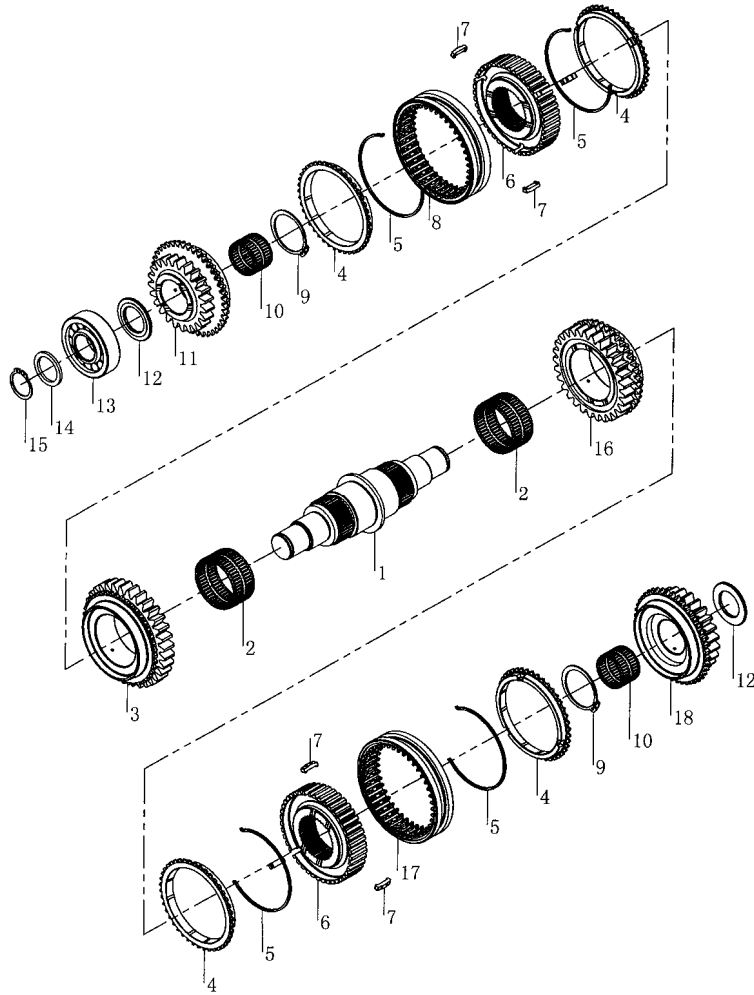
1.0t-3.5t
JDS 系列机械变速箱 JDS Series Mechanical Gearbox



序号 Item	物料码 Part No.	名称 Description	数量 Qty	备注或适用车型 Remarks or Serial No.
A1	JDS30-0400	主轴组件 Spindle assy	1	包含/INC:1-18
1	JDS30-0039	主轴 Shaft,main	1	
2	56×61×30	滚针轴承 Bearing,needle	2	
3	JDS30-0037	低速齿轮 Gear,low speed	1	
4	JDS30-0030	同步环 Ring,block	4	
5	JDS30-0031	弹簧 Spring	4	
6	JDS30-0028	离合器从动盘毂 Hub,clutch	2	
7	JDS30-0032	嵌块 Insert	6	
8	JDS30-0033	1/2 档啮合套 Sleeve	1	
9	GB894.1-86-48	轴用弹性挡圈 48 Snap ring	2	
10	35×40×27	滚针轴承 Bearing,needle	2	
11	JDS30-0038	高速齿轮 Gear,high speed	1	
12	JDS30-0026	止推垫圈 Washer,stop	2	
13	GB283-94-NJ306	轴承 NJ306 Bearing NJ306	1	
14	JDS30-0027	隔圈 Spacer	1	

图 9-a 主轴组件 (绍兴)
Fig.9-a Spindle assy (ShaoXing)

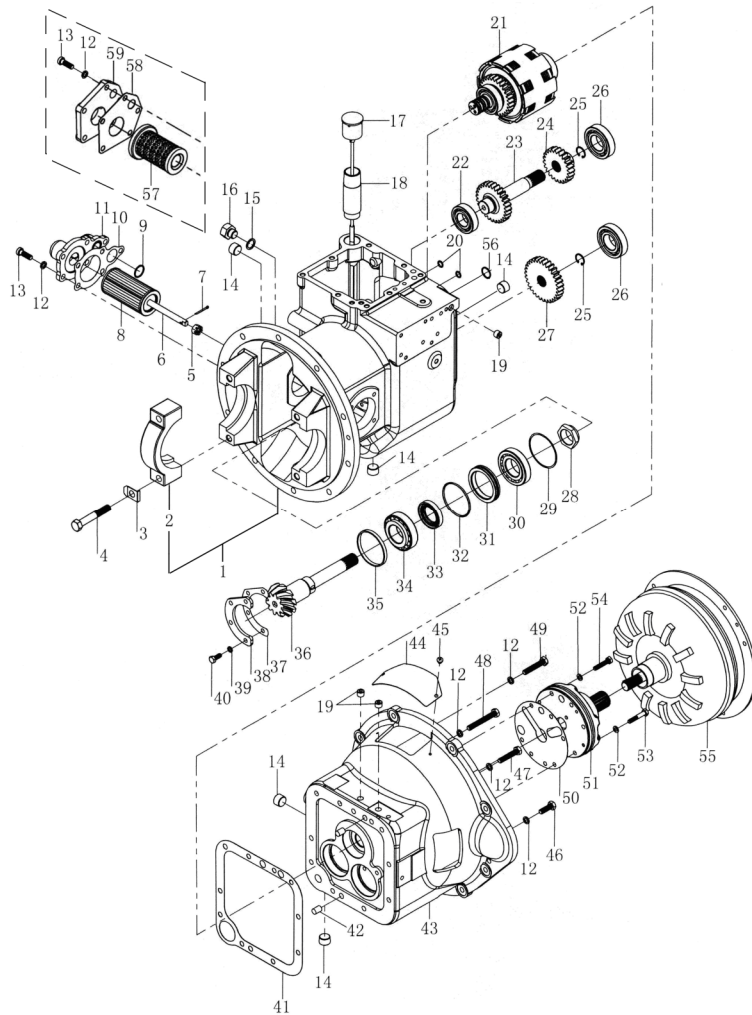
1.0t-3.5t
JDS 系列机械变速箱 JDS Series Mechanical Gearbox



序号 Item	物料码 Part No.	名称 Description	数量 Qty	备注或适用车型 Remarks or Serial No.
15	GB894.1-86-30	轴用弹性挡圈 Snap ring	1	
16	JDS30-0024	倒档齿轮 Gear,reverse	1	
17	JDS30-0033	啮合套 Sleeve	1	<2013-01-01
17	JDS30-0044	啮合套 Sleeve	1	≥2013-01-01
18	JDS30-0025	前进档齿轮 Gear,forward	1	

图 10 变速箱（液力式）绍兴 SHAOXING
Fig.10 Transmission(tor-con type)

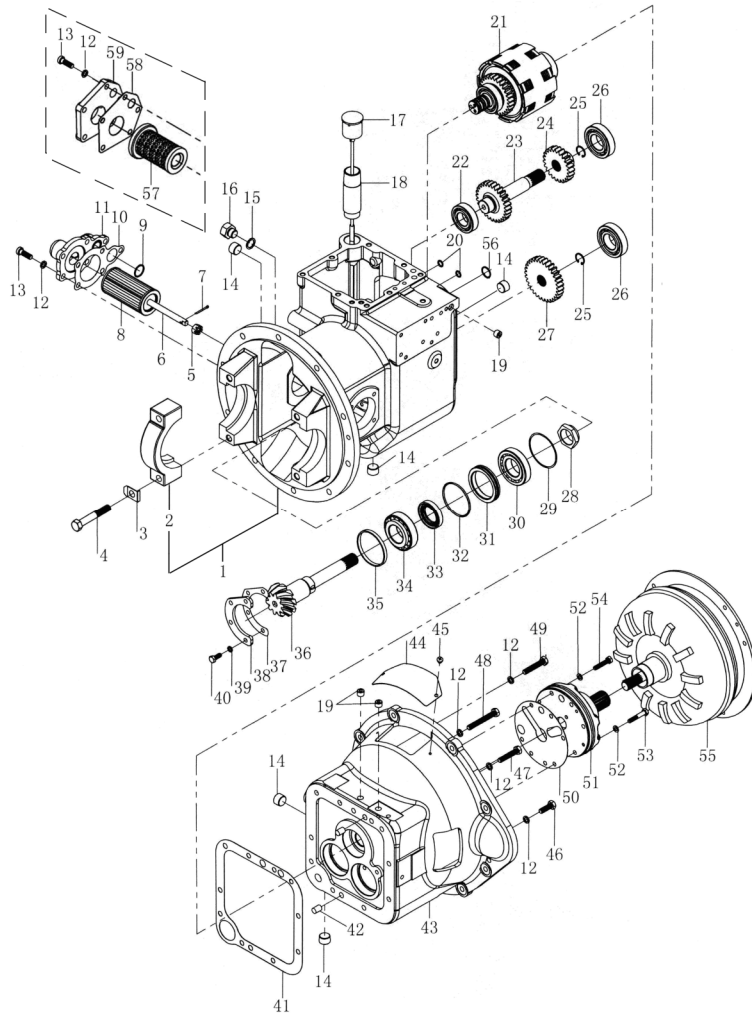
1.0t-3.5t
YQX、YQXD 系列液力传动变速箱
YQX, YQXD Series Hydrodynamic Transmission Gearbox



序号 Item	物料码 Part No.	名称 Description	数量 Qty	备注或适用车型 Remarks or Serial No.
1	YQX25-0100	液力变速箱壳体组件 Case assy,Transmission	1	1.0t-1.8t:YQXD18HA
	YQX25AS-0100	液力变速箱壳体组件 Case assy,Transmission	1	1.0t-1.8t: YQX18E,YQXD18E, YQXD18HB,YQXD18H1 <2016-01
	YQX25D-0100	液力变速箱壳体组件 Case assy,Transmission	1	1.0t-1.8t: YQX18E,YQXD18E, YQXD18HB,YQXD18H1 ≥2016-01
	YQX30AS-0100	液力变速箱壳体组件 Case assy,Transmission	1	2.0t-3.5t
2	YQX25-0101	轴承座 Bearing seat	2	1t-2.5t, 不单独提供 Do not supply separately
	YQX30-0102	轴承座 Bearing seat	2	3t-3.5t, 不单独提供 Do not supply separately
3	YQX25-0004	锁片 Plate,Lock	4	1.0t-1.8t
	YQX30-0023	锁片 Plate,Lock	4	2.0t-3.5t
4	YQX30-0101	螺栓 Bolt	4	
5	GB6181-86-12	螺母 M12 Nut M12	1	2t-3.5t, (1t-1.8t, <2016-01)
6	YQX30AS-0502	螺杆 Screw	1	2t-3.5t, (1t-1.8t, <2016-01)
7	GB91-86-3.2×28	开口销 3.2×28 Cotter pin 3.2×28	1	2t-3.5t, (1t-1.8t, <2016-01)

图 10 变速箱（液力式）绍兴 SHAOXING
Fig.10 Transmission(tor-con type)

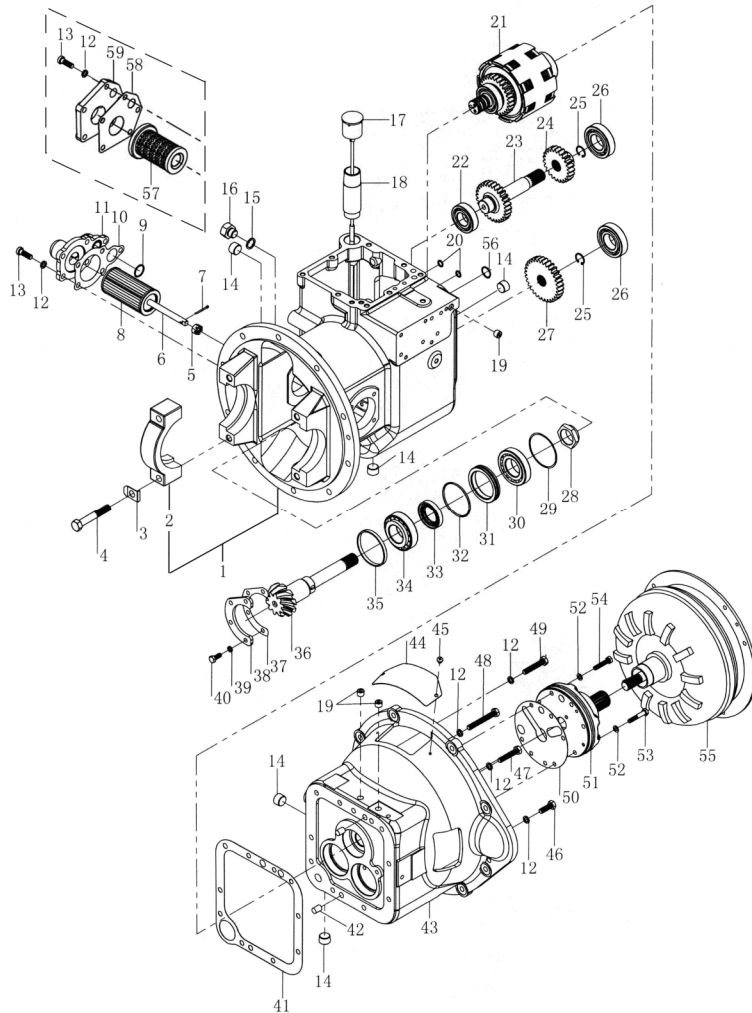
1.0t-3.5t
YQX、YQXD 系列液力传动变速箱
YQX, YQXD Series Hydrodynamic Transmission Gearbox



序号 Item	物料码 Part No.	名称 Description	数量 Qty	备注或适用车型 Remarks or Serial No.
8	YQX30AS-0510	滤网组件 Filter components	1	2t-3.5t, (1t-1.8t, <2016-01)
9	GB1235-76-28×2.4	O 形密封圈 28×2.4 O-ring 28×2.4	1	2t-3.5t, (1t-1.8t, <2016-01)
10	YQX30AS-0503	纸垫 Paper pad	1	2t-3.5t, (1t-1.8t, <2016-01)
11	YQX30AS-0501	油滤座 Oil filter seat	1	2t-3.5t, (1t-1.8t, <2016-01)
12	GB93-87-10	垫圈 10 Washer 10	14	
13	GB70-85-M10×30	螺钉 M10×30 Screw M10×30	5	
14	JB/ZQ4446-86-R1/2	螺塞 R1/2 Screw plug R1/2	3	
15	Q20-03-18×24×2	密封垫 18×24×2 Gasket 18×24×2	1	Q20-03-18×24×1.5
16	JDS30-0046	螺塞 Screw plug	1	
17	YQX30-0400	加油器盖组件 Fuel lid assy	1	
18	YQX30-0007	加油管 Pipe oil fill	1	
19	JB/ZQ4446-86-R1/4	螺塞 R1/4 Screw plug R1/4	3	
20	GB1235-76-15×2.4	O 形密封圈 15×2.4 O-ring 15×2.4	2	
21	YQX18-1000	液力离合器总成 Hydraulic clutch,Assy	1	1.0t-1.8t 见图 11 See Fig.11
	YQX30-1000	液力离合器总成 Hydraulic clutch,Assy	1	2.0t-3.5t 见图 11 See Fig.11

图 10 变速箱（液力式）绍兴 SHAOXING
Fig.10 Transmission(tor-con type)

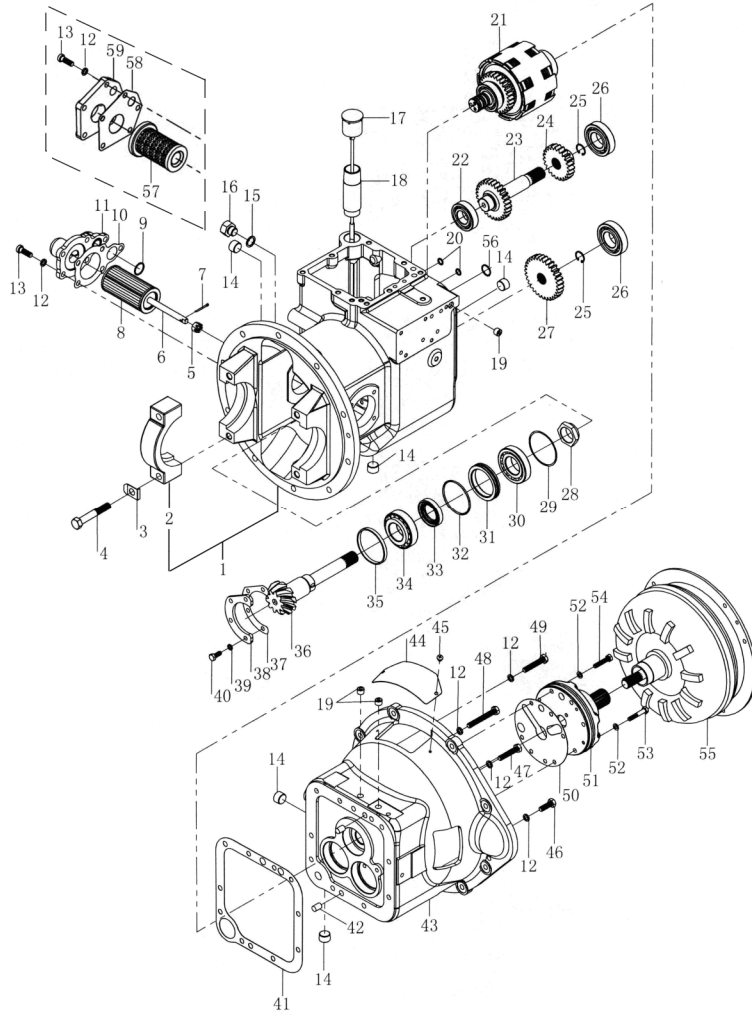
1.0t-3.5t
YQX、YQXD 系列液力传动变速箱
YQX, YQXD Series Hydrodynamic Transmission Gearbox



序号 Item	物料码 Part No.	名称 Description	数量 Qty	备注或适用车型 Remarks or Serial No.
22	GB276-94-6206	轴承 6206 Bearing 6206	1	
23	YQX30-0015	惰轮轴 Shaft,Idler	1	
24	YQX30-0013	惰轮 Gear,Idler	1	
25	GB893.1-86-24	孔用弹性挡圈 24 Circlips for holes 24	2	
26	GB276-94-6207	轴承 6207 Bearing 6207	2	
27	YQX30-0012	输出齿轮 Output gear	1	
28	YQX30-0014	锁紧螺母 Nut	1	
29	YQX30-0016	垫 Pad		按需 Need
30	GB297-94-30208	轴承 30208 Bearing 30208	1	
31	YQX30-0001	油封保持架 Retainer,Oil seal	1	
32	GB1235-76-80×3.1	O 形圈 80×3.1 O-ring 80×3.1	1	
33	YQX30-0005	输出轴油封 Seal,Oil	1	
34	GB297-94-32208	轴承 32208 Bearing 32208	1	
35	YQX30-0003	轴环 Collar	1	
36		输出轴 Shaft,Output	1	1t-1.8t, 见图 14 序号 7 See Fig.14 Item 7

图 10 变速箱（液力式）绍兴 SHAOXING
Fig.10 Transmission(tor-con type)

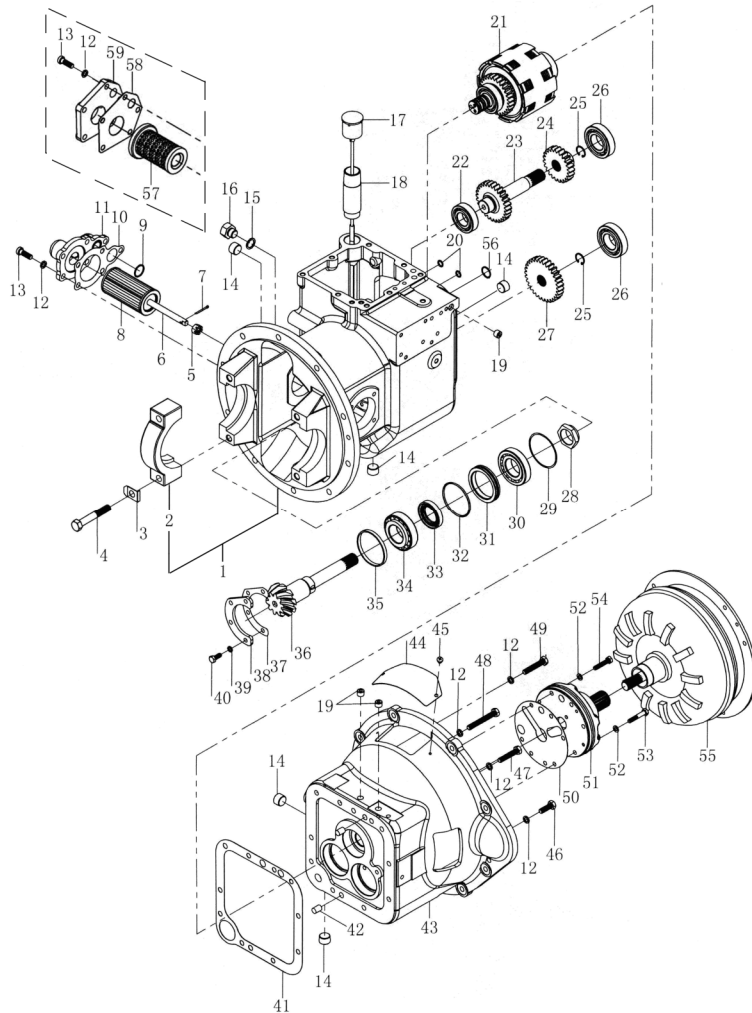
1.0t-3.5t
YQX、YQXD 系列液力传动变速箱
YQX, YQXD Series Hydrodynamic Transmission Gearbox



序号 Item	物料码 Part No.	名称 Description	数量 Qty	备注或适用车型 Remarks or Serial No.
36		输出轴 Shaft,Output	1	2.0t-3.5t, 见图 14 序号 7 See Fig.14 Item 7
37	YQX30-0002	垫片 Shim		按需 Need
38	YQX30-0004	支承片 Plate,Bearing support	1	
39	GB93-87-8	垫圈 8 Washer 8	4	
40	GB5783-86-M8×20	螺栓 M8×20 Bolt M8×20	4	
41	YQX30AS-0001	垫片 Shim	1	
42	GB119-86-B12×20	圆柱销 B12×20 Pin,Parallel B12×20	2	
43	YQX30H-0201	变矩器壳体 Case, Torque-converter	1	YQX30,YQXD18E YQX18E
43	YQX30W-0201		1	YQX18H1, YQX30H1
43	YQX30-0201		1	YQX18HA, YQXD18HA YQX30A, YQXD30A
44	YQX30-0202	盖板 Cover	1	
45	GB818-85-M6×8	十字槽螺钉 M6×8 Screw M6×8	2	<2014-10
45	GB818-85-M6×12	十字槽螺钉 M6×12 Screw M6×12	2	≥2014-10
46	GB5783-86-M10×30	螺栓 M10×30 Bolt M10×30	4	

图 10 变速箱（液力式）绍兴 SHAOXING
Fig.10 Transmission(tor-con type)

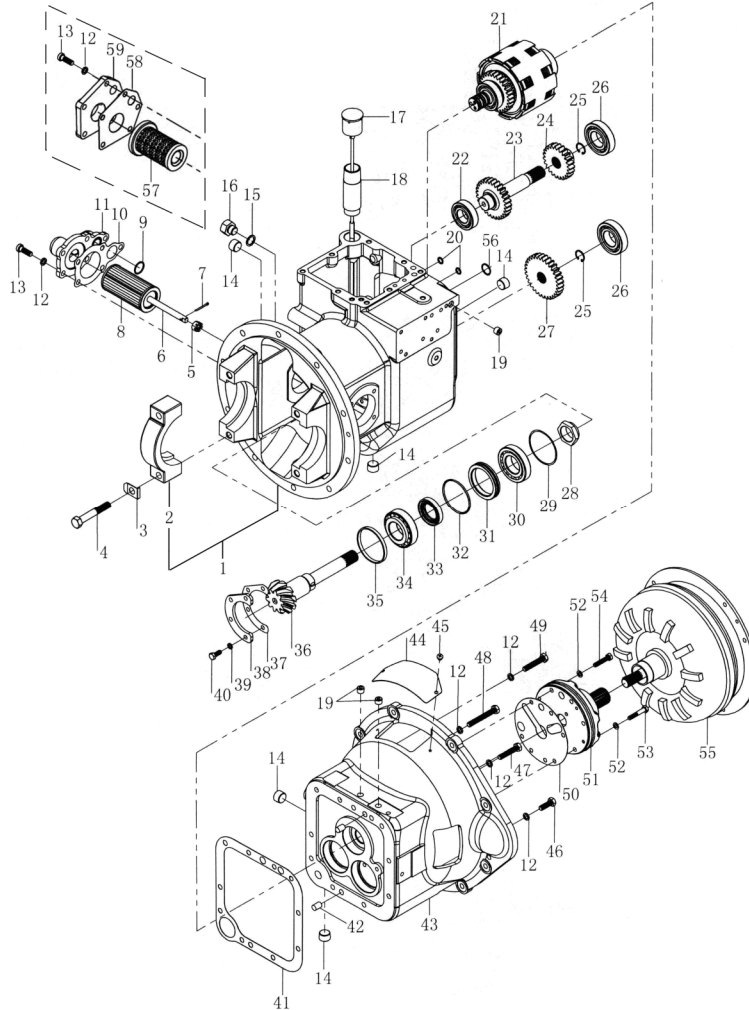
1.0t-3.5t
YQX、YQXD 系列液力传动变速箱
YQX, YQXD Series Hydrodynamic Transmission Gearbox



序号 Item	物料码 Part No.	名称 Description	数量 Qty	备注或适用车型 Remarks or Serial No.
47	GB5783-86-M10×50	螺栓 M10×50 Bolt M10×50	1	
48	GB5783-86-M10×75	螺栓 M10×75 Bolt M10×75	1	
49	GB5783-86-M10×55	螺栓 M10×55 Bolt M10×55	3	
50	YQX30-0010	垫片 Shim	1	
51	YQX30-3000	油泵总成 Charging pump	1	见图 15 See Fig.15
52	Q20-03-8×14×1.5	密封圈 8×14×1.5 Gasket 8×14×1.5	6	
53	GB5780-86-M8×45	螺栓 M8×45 Bolt M8×45	4	
54	GB5780-86-M8×40	螺栓 M8×40 Bolt M8×40	2	
55	YQX30H-6000	YJH265 液力变矩器 Torque-converter	1	YQX18H1, YQX30H1 YQX30
55	YQX30-6000	YJH265D-2 液力变矩器 YJH265D-2 Torque-converter	1	YQX18HA, YQXD18HA YQX30A, YQXD30A
56	GB1235-76-24×2.4	O 形密封圈 24×2.4 O-ring 24×2.4	1	
57	YQX30B-0510	滤网组件 Filter components	1	1t-1.8t, ≥2016-01
58	YQX30D-0502	滤油座纸垫 Paper pad, Oil filter seat	1	1t-1.8t, ≥2016-01

图 10 变速箱 (液力式) 绍兴 SHAOXING
Fig.10 Transmission(tor-con type)

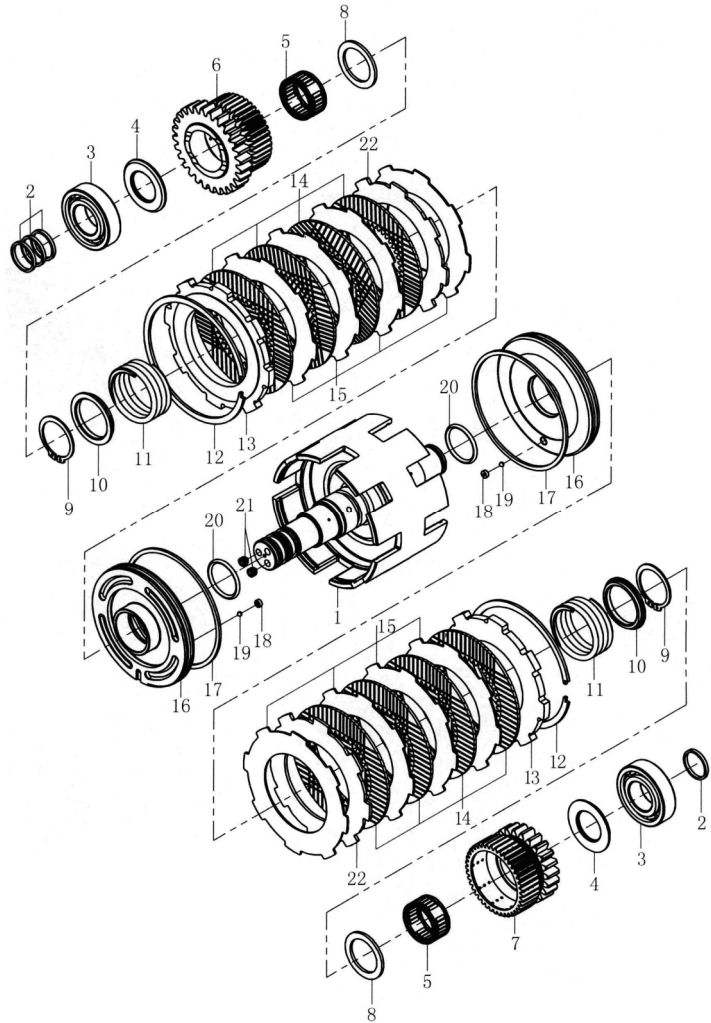
1.0t-3.5t
YQX、YQXD 系列液力传动变速箱
YQX, YQXD Series Hydrodynamic Transmission Gearbox



序号 Item	物料码 Part No.	名称 Description	数量 Qty	备注或适用车型 Remarks or Serial No.
59	YQX30D-0501	油滤座 Oil filter seat	1	1t-1.8t, $\geq 2016-01$

图 11 液力离合器(液力式)绍兴 SHAOXING
Fig.11 Hydraulic clutch(tor-con type)

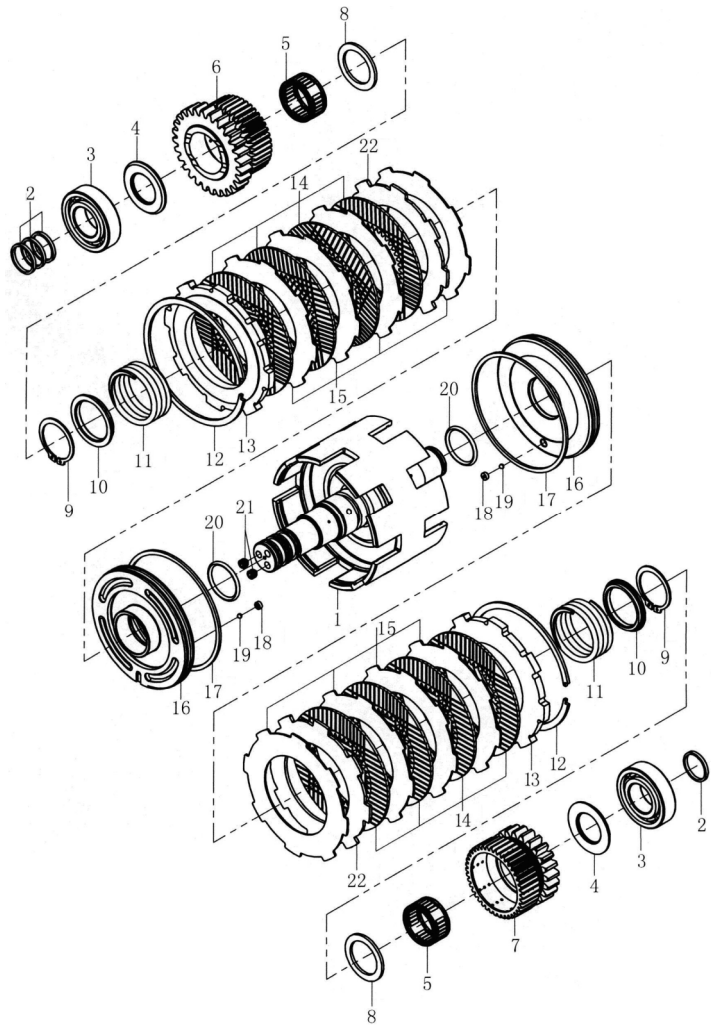
1.0t-3.5t
YQX、YQXD 系列液力传动变速箱
YQX, YQXD Series Hydrodynamic Transmission Gearbox



序号 Item	物料码 Part No.	名称 Description	数量 Qty	备注或适用车型 Remarks or Serial No.
A1	YQX18-1000	液力离合器总成 Hydraulic clutch,Assy	1	1.0t-1.8t See Fig.10 Item21
A2	YQX30-1000	液力离合器总成 Hydraulic clutch,Assy	1	2.0t-3.5t See Fig.10 Item21
1	YQX30-1100	输入轴组件 Shaft assy,Input	1	
2	YQX30-1006	密封环 (A) Ring,Seal	4	
3	GB276-94-6206	轴承 6206 Bearing 6206	2	
4	YQX30-1007	离合器-止推环 (B) Ring,Thrust	2	
5	K35×42×20	滚针轴承 Bearing,Needle	2	
6	YQX30-1005	倒车档齿轮 Gear,Reverse	1	
7	YQX30-1003	前进档齿轮 Gear,Forward	1	
8	YQX30-1008	离合器-止推环 (A) Ring,Thrust	2	
9	GB894.1-86-40	轴用弹性挡圈 40 Circlips for shaft 40	2	
10	YQX30-1009	弹簧座 Seat,Spring	2	
11	YQX30-1004	回程弹簧 Spring,Return	2	
12	YQX30-1014	卡环 Snap ring	2	

图 11 液力离合器(液力式)绍兴 SHAOXING
Fig.11 Hydraulic clutch(tor-con type)

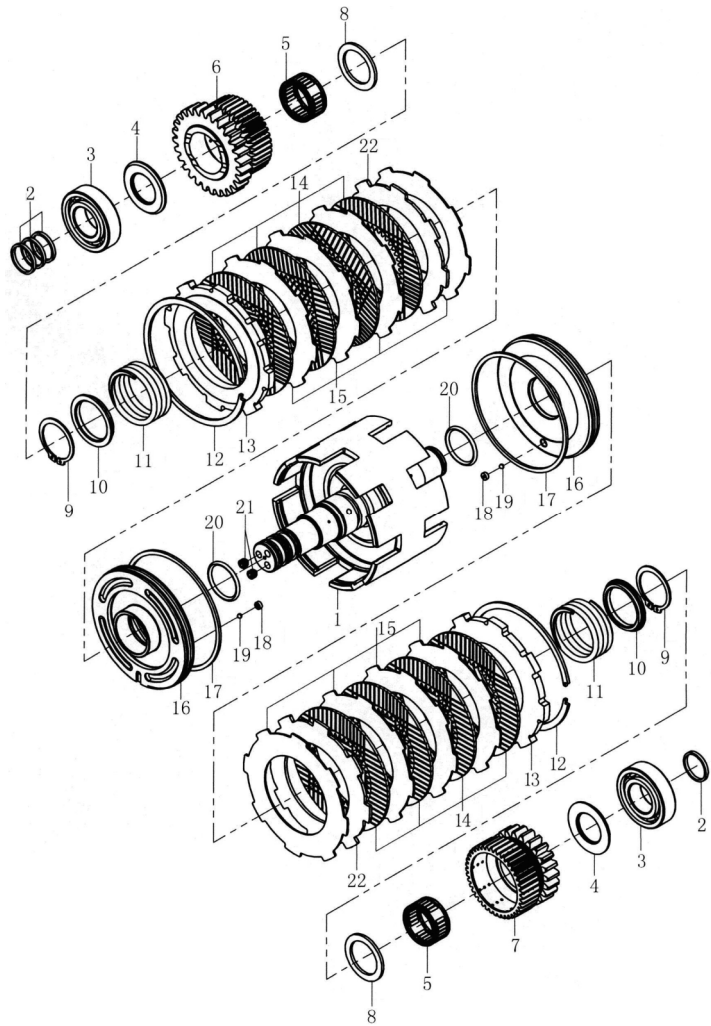
1.0t-3.5t
YQX、YQXD 系列液力传动变速箱
YQX, YQXD Series Hydrodynamic Transmission Gearbox



序号 Item	物料码 Part No.	名称 Description	数量 Qty	备注或适用车型 Remarks or Serial No.
13	YQX18-1001	端板 Plate,End	2	1.0t-1.8t
	YQX30-1001	端板 Plate,End	8	2.0t-3.5t
14	YQX30-1013	摩擦片 Disk,Friction	6	1t-1.8t, <2014-10
	YQX30-1013A	摩擦片 Disk,Friction	6	1t-1.8t, ≥2014-10
	YQX30-1013B	摩擦片 Disk,Friction	8	2t-3.5t
15	YQX30-1012	隔片 Spacer	6	1t-1.8t, <2014-10
	YQX30-1012A	隔片 Spacer	6	1t-1.8t, ≥2014-10
	YQX30-1012A	隔片 Spacer	8	2t-3.5t
16	YQX30-1002A	活塞 Piston	2	1t-1.8t
16	YQX30-1002B	活塞 Piston	2	2t-3.5t
17	YQX30-1011	密封环 (B) Ring,seal	2	
18	YQX30-1010	堵塞 Plug	2	
19	GB308-89-G200b-4	钢球 4.0000 G200b Ball,steel 4.0000 G200b	2	
20	GB1235-76-40×3.5	O 形圈 40×3.5 O-ring, 40×3.5	2	
21	GB78-85-M8×8	螺钉 M8×8 Screw, M8×8	2	

图 11 液力离合器(液力式)绍兴 SHAOXING
Fig.11 Hydraulic clutch(tor-con type)

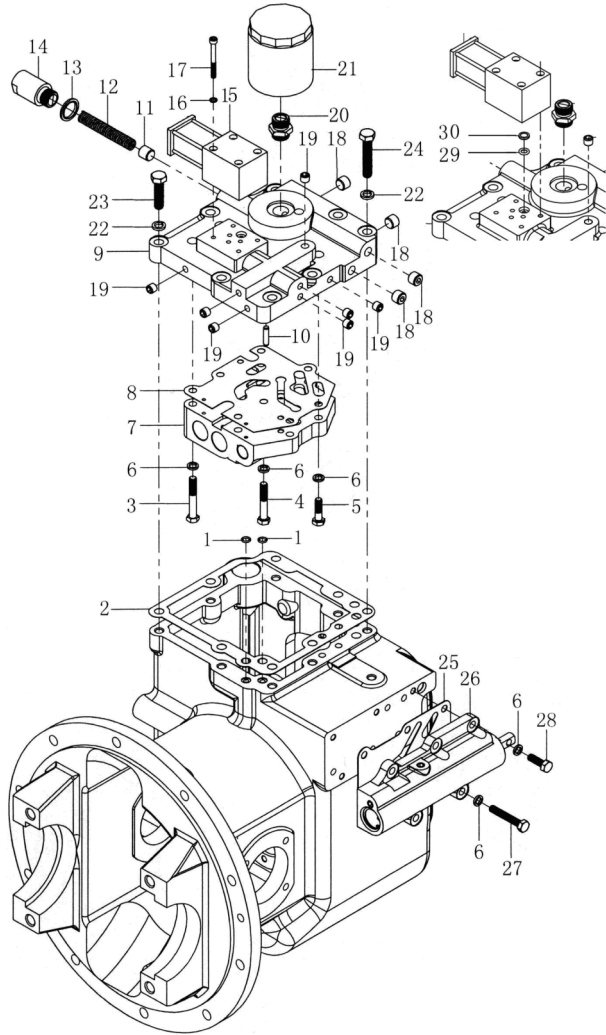
1.0t-3.5t
YQX、YQXD 系列液力传动变速箱
YQX, YQXD Series Hydrodynamic Transmission Gearbox



序号 Item	物料码 Part No.	名称 Description	数量 Qty	备注或适用车型 Remarks or Serial No.
22	YQX18-1002	蝶形板 Disc shaped plate	2	1t-1.8t

图 12 盖、控制阀、微动阀（液力式）绍兴
Fig.12 Cover control valve &
inching valve (tor-con type) SHAOXIN

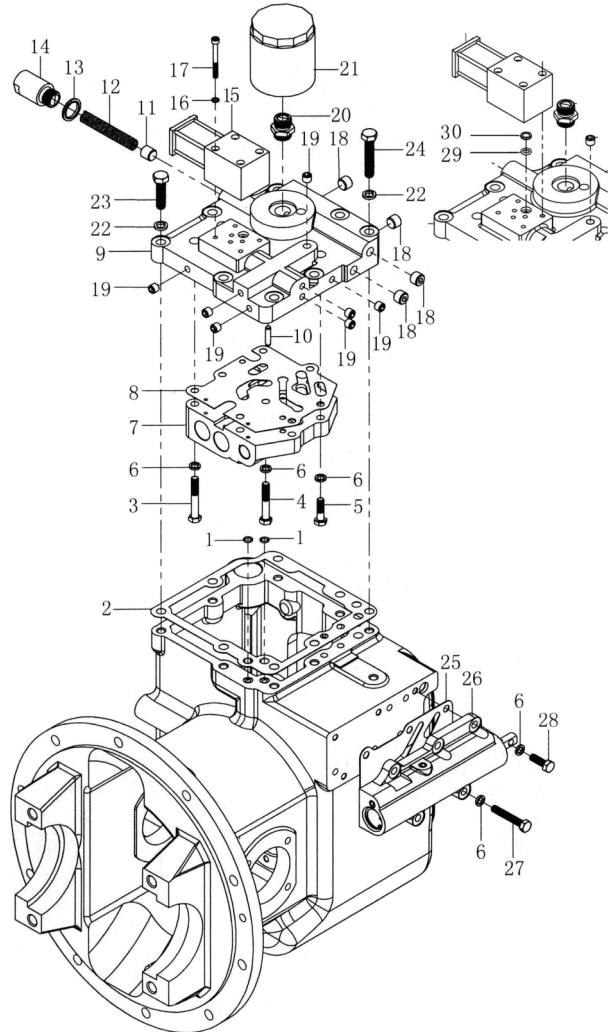
1.0t-3.5t
YQXD（电磁阀换向）系列液力变速箱
YQXD (Solenoid valve Commutation) Series Hydrodynamic Gearbox



序号 Item	物料码 Part No.	名称 Description	数量 Qty	备注或适用车型 Remarks or Serial No.
1	GB1235-76-11×1.9	O 形密封圈 11×1.9 O-ring 11×1.9	2	
2	YQX30-0008	垫片 Shim	1	
3	GB5782-86-M8×55	螺栓 M8×55 Bolt M8×55	3	
4	GB5782-86-M8×50	螺栓 M8×50 Bolt M8×50	3	
5	GB5782-86-M8×30	螺栓 M8×30 Bolt M8×30	2	
6	GB93-87-8	弹簧挡圈 8 Washer 8	13	
A1	YQX30D-4100	盖和控制阀总成 Assy, Cover Control valve	1	包含 INC:7,9
7	YQX30D-4120	控制阀总成 Control valve	1	不单独提供 Do not supply separately
8	YQX30-4001	密封垫 Gasket	1	
9	YQX30D-4111	壳体盖 Cover,Case	1	不单独提供 Do not supply separately
10	GB119-86-A6×25	圆柱销 A6×25 Pin,Parallel A6×25	1	
11	YQX30D-4112	活塞 Piston	1	
12	YQX30-4003	弹簧 Spring	1	
13	JB982-77-20	组合密封垫 20 Combination gasket 20	1	
14	YQX30-4002	安全阀盖 Cup	1	

图 12 盖、控制阀、微动阀（液力式）绍兴
 Fig.12 Cover control valve &
 inching valve (tor-con type) SHAOXIN

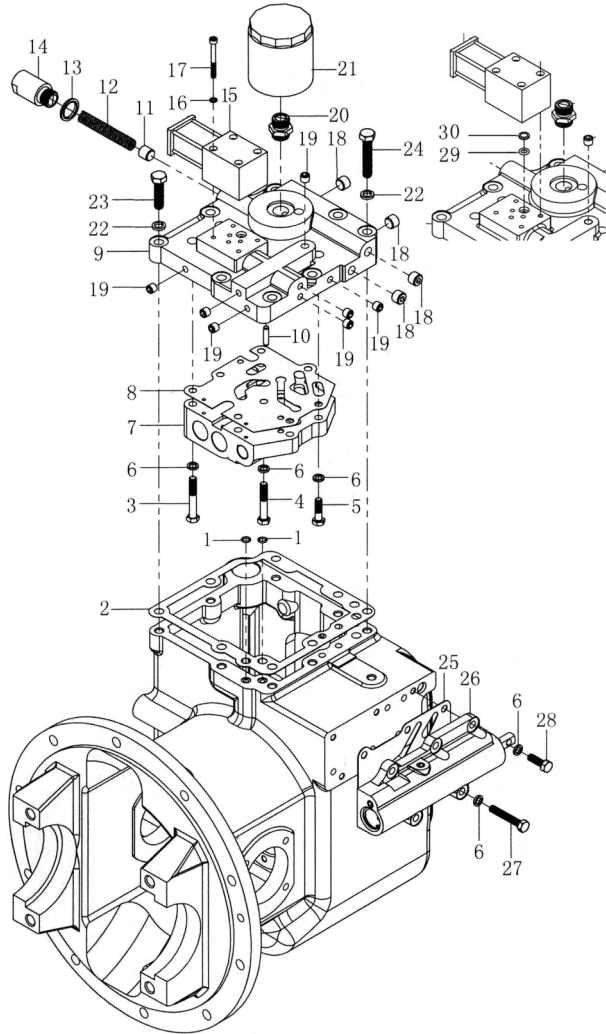
1.0t-3.5t
 YQXD（电磁阀换向）系列液力变速箱
 YQXD (Solenoid valve Commutation) Series Hydrodynamic Gearbox



序号 Item	物料码 Part No.	名称 Description	数量 Qty	备注或适用车型 Remarks or Serial No.
15	YQX30DH-4200	电磁换向阀, 四线插头 Solenoid valve, 4-way plug	1	防水接插件 Plug & Socket Waterproof
16	GB859-76-5	弹簧挡圈 5 Spring block circle 5	4	
17	GB70-85-M5×50	螺钉 M5×50 Screw M5×50	4	
18	Q/ZB285-ZG1/4	内六角螺塞 ZG1/4 Plug, Hexagon ZG1/4	4	
19	Q/ZB285-ZG1/8	内六角螺塞 ZG1/8 Plug, Hexagon ZG1/8	7	
20	YQX30-4005	管接头 Nipple	1	
21	YQX30-0300	滤油器 (II) Oil filter	1	
22	GB93-87-10	垫圈 10 Washer 10	8	
23	GB5783-86-M10×40	螺栓 M10×40 Bolt M10×40	6	
24	GB5783-86-M10×55	螺栓 M10×55 Bolt M10×55	2	
25	YQX30-0022	衬垫 Liner	1	
26	YQX30-5000	微动阀总成 Inching valve	1	

图 12 盖、控制阀、微动阀（液力式）绍兴
 Fig.12 Cover control valve &
 inching valve (tor-con type) SHAOXIN

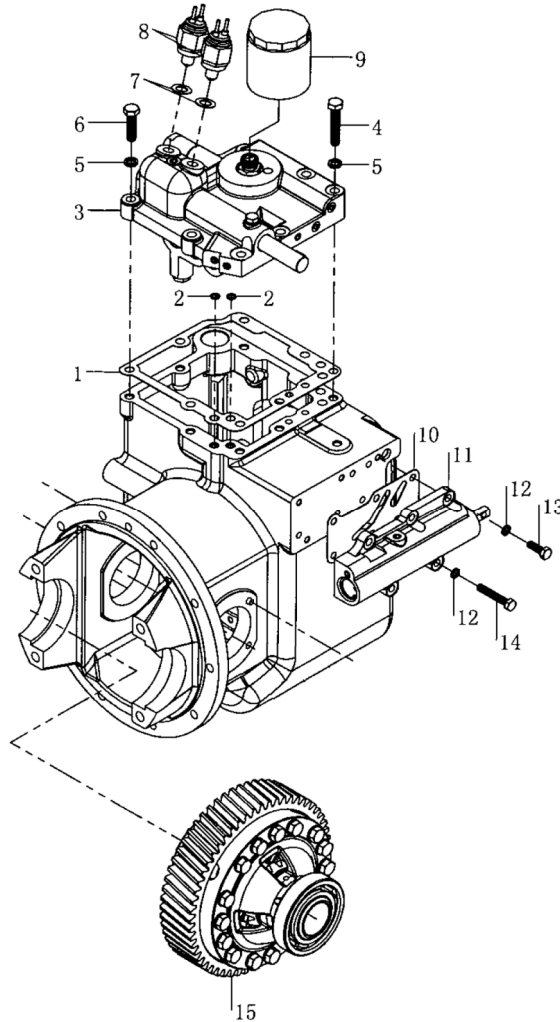
1.0t-3.5t
 YQXD（电磁阀换向）系列液力变速箱
 YQXD (Solenoid valve Commutation) Series Hydrodynamic Gearbox



序号 Item	物料码 Part No.	名称 Description	数量 Qty	备注或适用车型 Remarks or Serial No.
27	GB5783-86-M8×50	螺栓 M8×50 Bolt M8×50	2	
28	GB5783-86-M8×25	螺栓 M8×25 Bolt M8×25	3	
29	GB1235-76-12×2.4	O 形密封圈 12×2.4 O-ring 12×2.4	1	≥2016-01
30	YQXD45-4107	滤网 Filter screen	1	≥2016-01

图 13 盖、控制阀、微动阀（液力式）绍兴
 Fig.13 Cover control valve &
 inching valve (tor-con type) SHAOXING

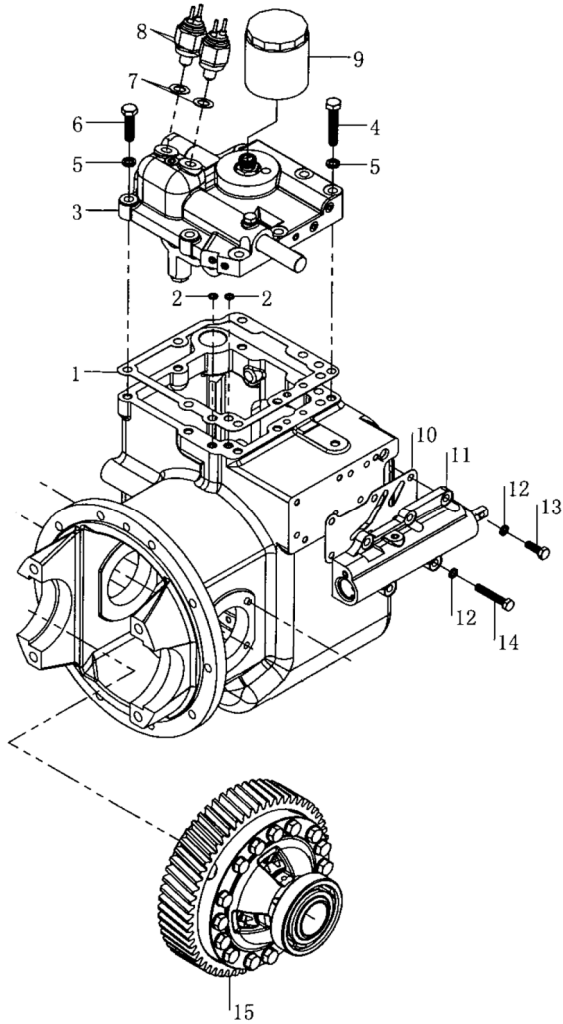
1.0t-3.5t
 YQX(手动换向)系列液力传动变速箱
 YQX(Manual control Commutation) Series Hydrodynamic Transmission Gearbox



序号 Item	物料码 Part No.	名称 Description	数量 Qty	备注或适用车型 Remarks or Serial No.
1	YQX30-0008	垫片 Shim	1	
2	GB1235-76-11×1.9	O 形密封圈 11×1.9 O-ring 11×1.9	2	
3	YQX30-4000	盖和控制阀总成 Assy, Cover Control valve	1	
4	GB5783-86-M10×55	螺栓 M10×55 Bolt M8×55	2	
5	GB93-87-10	弹簧垫圈 10 Washer 10	16	
6	GB5783-86-M10×40	螺栓 M10×40 Bolt M10×40	6	
7	14×24×2 Q/301B202-86	密封圈 14×24×2 Seal ring	2	<2013-01-01
7	14×24×1 Q/301B202-86	密封圈 14×24×1 Seal ring 14×24×1	2	≥2013-01-01
8	JK208	倒车灯开关 Switch,back-lamp	2	<2013-01-01
8	JK611T	倒车灯开关 Switch,back-lamp	2	≥2013-01-01
9	YQX30-0300	滤油器 (II) Oil filter	1	
10	YQX30-0022	衬垫 Liner	1	
11	YQX30-5000	微动阀总成 Inching valve	1	
12	GB93-87-8	弹簧垫圈 8 Washer 8	5	
13	GB5783-86-M8×25	螺栓 M8×25 Bolt M8×25	3	

图 13 盖、控制阀、微动阀（液力式）绍兴
 Fig.13 Cover control valve &
 inching valve (tor-con type) SHAOXING

1.0t-3.5t
 YQX(手动换向)系列液力传动变速箱
 YQX(Manual control Commutation) Series Hydrodynamic Transmission Gearbox



序号 Item	物料码 Part No.	名称 Description	数量 Qty	备注或适用车型 Remarks or Serial No.
14	GB5783-86-M8×50	螺栓 M8×50 Bolt M8×50	2	
15		差速器总成 Differential assy	1	见图 14 See Fig.14

图 14 减速器和差速器 (绍兴)
Fig.14 Reduction & differential (ShaoXing)

全部车型 All models of truck
1.0t-3.5t

序号 Item	物料码 Part No.	名称 Description	数量 Qty	备注或适用车型 Remarks or Serial No.
1	GB5783-86-M10×25	螺栓 M10×25 Bolt M10×25	8	
2	GB93-87-10	垫圈 10 Washer 10	8	
3	YQX30-0021	轴承盖 Cover,Bearing	2	
4	GB1235-76-75×3.1	O 型密封圈 75×3.1 O-ring 75×3.1	2	
5	YQX30-0017	垫片 (δ=0.1,0.2,0.5) Shim (δ=0.1,0.2,0.5)		按需 Need
6	GB297-94-32207	轴承 32207 Bearing 32207	2	
7	YQX18-0900	螺旋伞齿轮组件 Spiral bevel gear assy	1	1.0t-1.8t
	YQX30-0900	螺旋伞齿轮组件 Spiral bevel gear assy	1	2.0t-3.5t
8	YQX30-0019	衬套 Bushing	1	
9	YQX25-0002	齿轴 Shaft,Final pinion	1	1.0t-1.8t
	YQX30-0018	齿轴 Shaft,Final pinion	1	2.0t-3.5t
A1	YQX18-2000	差速器总成 Differential assy	1	1.0t-1.8t 包含/INC:10-23
A3	YQX30-2000	差速器总成 Differential assy	1	2.0t-3.5t 包含/INC:10-25

图 14 减速器和差速器 (绍兴)
Fig.14 Reduction & differential (ShaoXing)

全部车型 All models of truck
1.0t-3.5t

序号 Item	物料码 Part No.	名称 Description	数量 Qty	备注或适用车型 Remarks or Serial No.
10	YQX25-2003	大齿圈 Gear ring	1	1.0t-1.8t
	YQX30-2003	大齿圈 Gear ring	1	2.0t-3.5t
B	YQX25-2100	差速器壳体组件 Case assy,Differential Gear	1	1t-1.8t
B	YQX30-2100	差速器壳体组件 Case assy,Differential Gear	1	2t-3.5t
11	YQX25-2101	差速器右半壳 Case RH, Differential Gear (不单独提供 Do not supply separately)	1	1.0t-1.8t
			1	
	YQX30-2101		1	2.0t-3.5t
12	YQX25-2102	差速器左半壳 Case LH,Differential Gear (不单独提供 Do not supply separately)	1	1.0t-1.8t
			1	
	YQX30-2102		1	2.0t-3.5t
13	YQX25-2002	螺栓 Bolt	12	1.0t-1.8t
	YQX30-2002	螺栓 Bolt	16	2.0t-3.5t
14	YQX25-2001	锁紧垫片 Washer,Lock	6	1.0t-1.8t
	YQX30-2001	锁紧垫片 Washer,Lock	8	2.0t-3.5t

图 14 减速器和差速器 (绍兴)
Fig.14 Reduction & differential (ShaoXing)

全部车型 All models of truck
1.0t-3.5t

序号 Item	物料码 Part No.	名称 Description	数量 Qty	备注或适用车型 Remarks or Serial No.
15	GB6176-86-M10×1.25	螺母 M10×1.25 Nut M10×1.25	12	1.0t-1.8t
	GB6176-86-M10×1.25	螺母 M10×1.25 Nut M10×1.25	28	2.0t-3.5t
16	YQX25-2007	垫圈 Washer	2	1.0t-2.5t
16	YQX30-2007	垫圈 Washer	2	2.0t-3.5t
17	YQX25-2009	半轴齿轮 Gear side	2	1.0t-2.5t
	YQX30-2009	半轴齿轮 Gear side	2	2.0t-3.5t
C	YQX25-2005/2008	十字齿轮轴 Cross gear shaft	1	1t-1.8t, ≥2014-10 取代 Replace:18,19,20
C	YQX30-2005/2008	十字齿轮轴 Cross gear shaft	1	2t-3.5t, ≥2014-10 取代 Replace:18,19,20
18	YQX25-2008	齿轮轴 I Pinion shaft I	1	1.0t-1.8t, <2014-10
	YQX30-2008	齿轮轴 I Pinion shaft I	1	2.0t-3.5t, <2014-10
19	YQX25-2005	齿轮轴 II Pinion shaft II	1	1.0t-1.8t, <2014-10
	YQX30-2005	齿轮轴 II Pinion shaft II	1	2.0t-3.5t, <2014-10
20	GB119-86-B6×30	圆柱销 B6×30 Pin, Parallel B6×30	1	1.0t-1.8t, <2014-10
	GB119-86-B6×28	圆柱销 B6×28 Pin, Parallel B6×28	1	2.0t-3.5t, <2014-10
21	YQX25-2006	行星齿轮 Planetary pinion	4	1.0t-1.8t

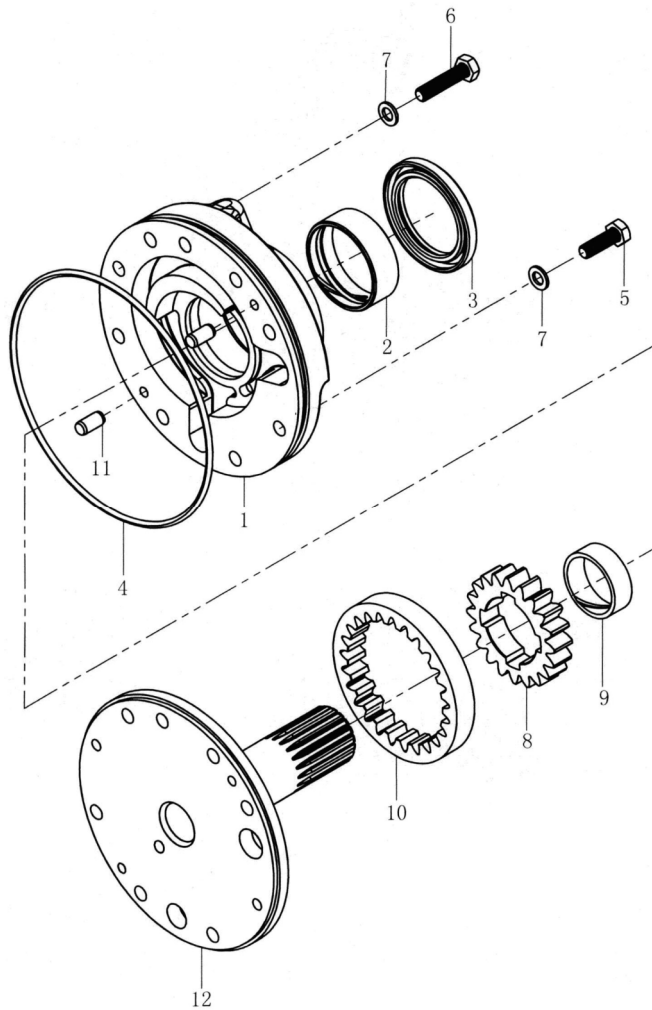
图 14 减速器和差速器 (绍兴)
Fig.14 Reduction & differential (ShaoXing)

全部车型 1.0t-3.5t
All models of truck

序号 Item	物料码 Part No.	名称 Description	数量 Qty	备注或适用车型 Remarks or Serial No.
21	YQX30-2006	行星齿轮 Planetary pinion	4	2.0t-3.5t
22	YQX25-2004	止推垫圈 Washer,Thrust	4	1.0t-1.8t
	YQX30-2004	止推垫圈 Washer,Thrust	4	2.0t-3.5t
23	GB276-94-6211	轴承 6211 Bearing 6211	2	1.0t-1.8t
	GB276-94-6213	轴承 6213 Bearing 6213	2	2.0t-3.5t
24	YQX30-2104	螺栓 Bolt	12	2.0t-3.5t
25	YQX30-2103	锁紧垫片 Washer,Lock	6	2.0t-3.5t

图 15 供油泵（液力式）绍兴 SHAOXING
Fig.15 Charging pump(tor-con type)

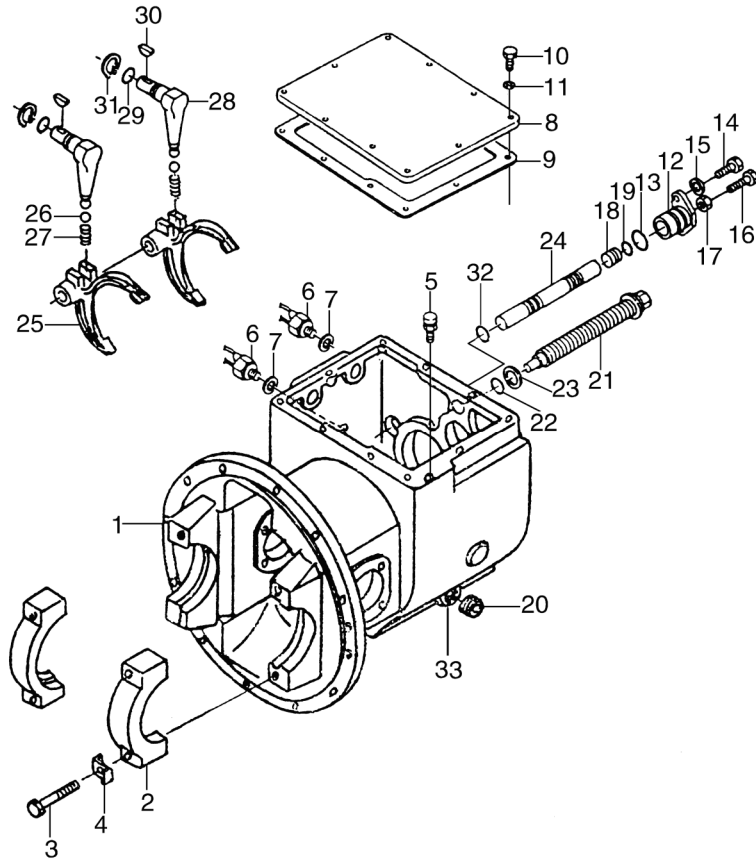
1.0t-3.5t
YQX,YQXD 系列液力传动变速箱
YQX,YQXD Series Hydrodynamic Transmission Gearbox



序号 Item	物料码 Part No.	名称 Description	数量 Qty	备注或适用车型 Remarks or Serial No.
A	YQX30-3000	油泵总成 Charging pump	1	见图 10 序号 51 See Fig.10 Item51
1	YQX30-3007	泵壳 Case,Pump	1	
2	YQX30-3001	衬套 Bushing	1	
3	GB9877.1-88-B50×68×8	油封 (F) B50×68×8 Seal,Oil B50×68×8	1	
4	GB3452.1-92-145×3.55	O 型密封圈 145×3.55 O-ring 145×3.55	1	
5	GB5783-86-M8×25	螺栓 M8×25 Bolt M8×25	1	
6	GB5783-86-M8×35	螺栓 M8×35 Bolt M8×35	1	
7	Q20-03-8×14×1.5	密封圈 8×14×1.5 Gasket 8×14×1.5	2	
8	YQX30-3003	主动齿轮 Gear,Drive	1	
9	YQX30-3004	衬套 Bushing	1	
10	YQX30-3005	被动齿轮 Gear,Driven	1	
11	GB119-86-B8×16	圆柱销 B8×16 Pin,Parallel B8×16	2	
12	YQX30-3006	导轮座 Support,Starter	1	

图 16 变速器(机械式 其 1)中南 ZhongNan
Fig.16 Transmission(clutch type part-1)

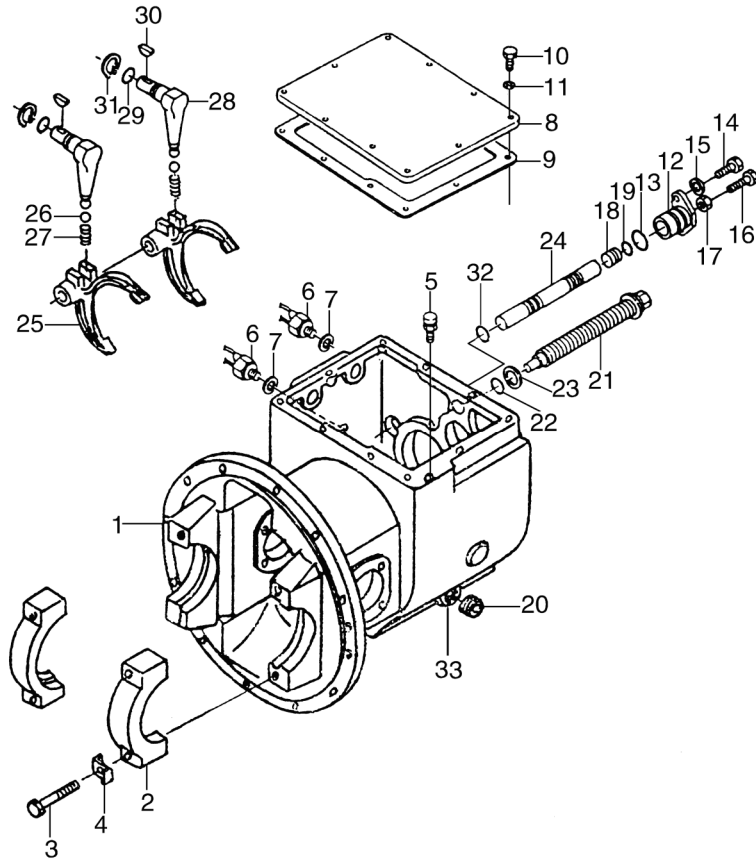
1.0t-3.5t
JDS 系列机械变速箱 JDS Series Mechanical Gearbox



序号 Item	物料码 Part No.	名称 Description	数量 Qty	备注或适用车型 Remarks or Serial No.
1	JDS25.001	机械变速箱壳体 Case,transmission	1	1.0t-1.8t
	JDS30.001	机械变速箱壳体 Case,transmission	1	2.0t-3.5t
2	JDS25.002	轴承座 Cap,bearing	2	1.0t-1.8t
	JDS30.072	轴承座 Cap,bearing	2	2.0t-3.5t
3	YDS30.089	螺栓 Bolt	4	
4	YDS25.003	锁片 Plate,lock	4	1.0t-1.8t <2013-01-01
4	JDS25.003	锁片 Plate,lock	4	1.0t-1.8t ≥2013-01-01
4	YDS30.082	锁片 Plate,lock	4	2.0t-3.5t
5	JDS30.050	塞体 Air breather	1	
	JDS30.051	盖 Cover	1	
6	JK208	倒车灯开关 Switch,back-lamp	1	≥2012-12-31 数量 2 Qty2
7	14×24×2 Q/301B202-86	密封圈 14×24×2 Seal ring	1	≥2012-12-31 数量 2 Qty2
8	JDS30.048	箱盖 Cover,case	1	
9	JDS30.049	箱盖垫片 Gasket,case cover	1	
10	GB5783-86-M10×1.25×16	螺栓 M10×1.25×16 Bolt M10×1.25×16	10	<2013-01-01

图 16 变速器(机械式 其 1)中南 ZhongNan
Fig.16 Transmission(clutch type part-1)

1.0t-3.5t
JDS 系列机械变速箱 JDS Series Mechanical Gearbox



序号 Item	物料码 Part No.	名称 Description	数量 Qty	备注或适用车型 Remarks or Serial No.
10	GB5783-2000-M10×20	螺栓 M10×20 Bolt M10×20	10	≥2013-01-01
11	GB93-87-10	垫圈 10 Washer lock 10	10	
12	JDS30.031	轴臂 Supporter, arm shaft	1	
13	35×3.1 GB1235-76	O 形圈 35×3.1 O-ring	1	
14	GB5783-2000-M8×20	螺栓 M8×20 Bolt	2	
15	GB93-87-8	垫圈 8 Washer, lock	2	
16	GB5783-2000-M10×45	螺栓 M10×45 Bolt	1	
17	GB6170-2000-M10	螺母 M10 Nut	1	
18	JDS30.032	塞 Plug	1	
19	20×2.4 GB1235-76	O 形圈 20×2.4 O-ring	1	
20	YDS30.104	螺塞 Plug	1	<2013-01-01
20	YBS5.133	螺塞 Plug	1	≥2013-01-01
21	JDS30.027	滑动螺栓 Bolt, slide	1	
22	28×3.5 GB1235-76	O 形圈 28×3.5 O-ring	1	
23	JDS30.028	外齿弹性垫圈 Washer	1	

图 16 变速器(机械式 其 1)中南 ZhongNan
Fig.16 Transmission(clutch type part-1)

1.0t-3.5t
JDS 系列机械变速箱 JDS Series Mechanical Gearbox

序号 Item	物料码 Part No.	名称 Description	数量 Qty	备注或适用车型 Remarks or Serial No.
24	JDS30.033	换挡杆 Rod,shift	1	
25	JDS30.044	拨叉 Fork,shift	2	
26	10.0000G200b GB/T308-2002	钢球 10.000G200b Ball,steel	2	
27	JDS30.045	弹簧 Spring	2	
28	JDS30.047	转动杆 Lever,shift	2	
29	22×2.4 GB1235-76	O 形圈 22×2.4 O-ring	2	
30	5×19 GB/T1099.1-2003	半圆键 5×19 Key,woodruf	2	
31	GB/T894.1-86-22	弹性挡圈 22 Snap ring	2	
32	JDS30.033	调整垫片 Shim	1/3	
33	18 JB982-77	组合密封垫圈 Washer	1	
			2	
			2	

图 17 变速器(机械式 其 2)中南 ZhongNan
Fig.17 Transmission(clutch type part-2)

1.0t-3.5t
JDS 系列机械变速箱 JDS Series Mechanical Gearbox

序号 Item	物料码 Part No.	名称 Description	数量 Qty	备注或适用车型 Remarks or Serial No.
1	JDS30.026	轴环 Collar	1	
2	JDS30.025	主动轴 Shaft,main drive	1	
3	JDS30.024	轴承架 Retainer,bearing	1	
4	42×3.5 GB1235-76	O 形圈 42×3.5 O-ring	1	
5	AC1315E0	油封 Seal,oil	1	
6	6005 GB/T276-94	深沟球轴承 6005 Deep groove ball bearings	1	
7	GB893.2-86-47	弹性挡圈 47 Snap ring	1	
8	GB894.1-86-25	弹性挡圈 25 Snap ring	2	
9	JDS30.037	输入齿轮 Gear,innut	1	
10	JDS30.038	隔套 Spacer	1	
11	6207 GB/T276-94	深沟球轴承 6207 Deep groove ball bearings	1	
12	6207N GB/T276-94	外圈有止动槽的深沟球轴承 Ball,bearings	1	
	72/78.6 GB305-89	72/78.6 止动环 Ring,thrust	1	
13	JDS30.040	隔套 Spacer	1	
14	GB894.1-86-35	弹性挡圈 35 Snap ring	1	

图 17 变速器(机械式 其 2)中南 ZhongNan
Fig.17 Transmission(clutch type part-2)

1.0t-3.5t
JDS 系列机械变速箱 JDS Series Mechanical Gearbox

序号 Item	物料码 Part No.	名称 Description	数量 Qty	备注或适用车型 Remarks or Serial No.
15	JDS30.039	轴承垫圈 Spacer	1	
16	GB893.2-86-80	弹性挡圈 80 Snap ring	1	
17	JDS30.003	主轴 Shaft,main	1	
18	NJ306E GB/T283-94	圆柱滚子轴承 NJ306 Bearing,roller	1	
19	GB894.1-86-48	弹性挡圈 48 Snap ring	2	
20	GB894.1-86-30	弹性挡圈 30 Snap ring	2	
21	JDS30.018	隔圈 $\delta=3.0,3.1,3.2,3.3,3.4$ Spacer	1/5 $\times 2$	
22	JDS30.017	止推垫圈 Washer,stop	2	
23	JDS30.019	轴承保持架 Retainer, bearing	1	
24	GB893.2-86-72	弹性挡圈 72 Snap ring	1	
25	6306 GB/T276-94	深沟球轴承 6306 Bearing,ball	1	
26	JDS30.010	啮合套 Sleeve	1	
27	JDS30.007	离合器从动盘毂 Hub,clutch	2	
28	JDS30.013	同步环 Ring,block	4	
29	JDS30.011	嵌块 Insert	6	

图 17 变速器(机械式 其 2)中南 ZhongNan
Fig.17 Transmission(clutch type part-2)

1.0t-3.5t
JDS 系列机械变速箱 JDS Series Mechanical Gearbox

序号 Item	物料码 Part No.	名称 Description	数量 Qty	备注或适用车型 Remarks or Serial No.
30	JDS30.012	弹簧 Spring	4	
31	JDS30.002	高速齿轮 Gear,high speed	1	
32	JDS30.004	低速齿轮 Gear,low speed	1	
33	JDS30.014	前进档齿轮 Gear,forward	1	
34	JDS30.005	倒档齿轮 Gear,reverse	1	
35	JDS30.015W	滚针轴承 Bearing,needle	2	
36	GB5846-86-KJ35×40×27 S	滚针轴承 KJ35×40×27S Bearing,needle	2	
37	JDS30.006	惰轮轴 Shaft, reverse idler	1	
38	6.3500G200b GB308-89	钢球 6.3500G200b Ball,steel	1	
39	JDS30.008	惰轮 Gear,reverse,idler	1	
40	KMJ25×33×24	滚针轴承 Bearing,needle	2	
41	JDS30.009	衬套 Spacer	1	
42	JDS18.041	输出轴 Shaft,output	1	1.0t-1.8t
42	JDS30.041	输出轴 Shaft,output	1	2.0t-3.5t

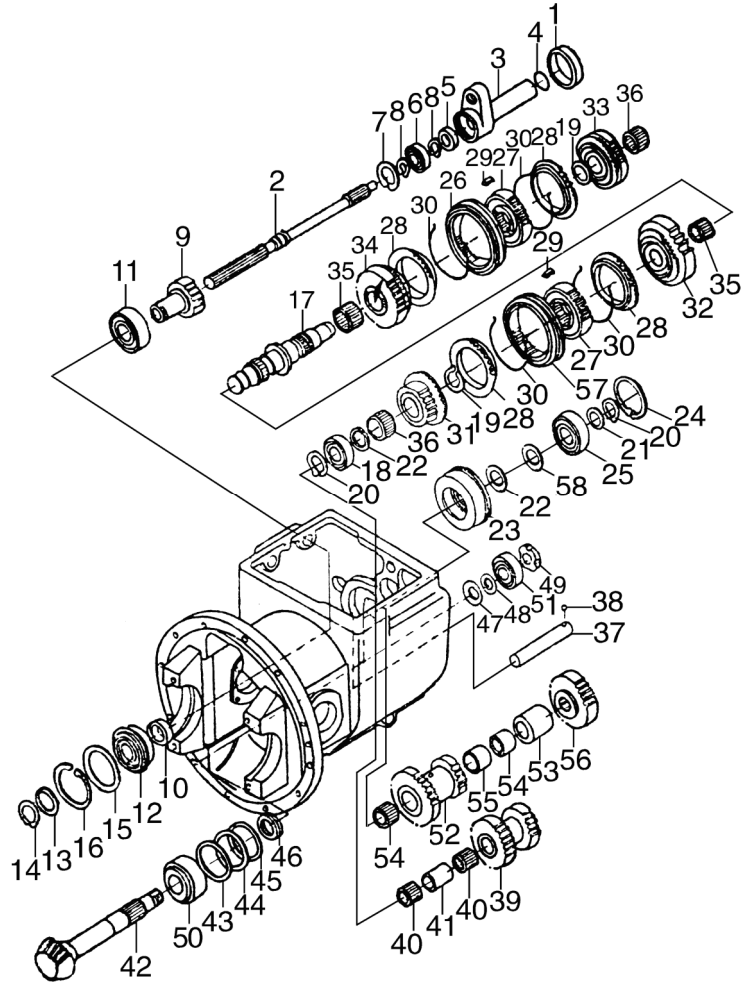


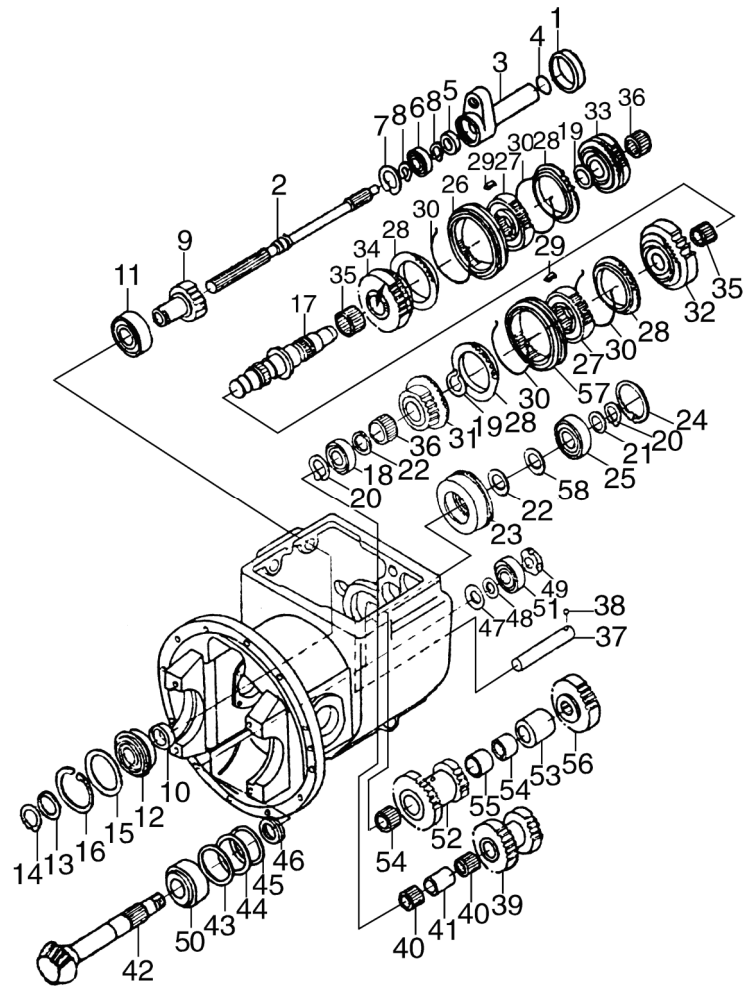
图 17 变速器(机械式 其 2)中南 ZhongNan
Fig.17 Transmission(clutch type part-2)

1.0t-3.5t
JDS 系列机械变速箱 JDS Series Mechanical Gearbox

序号 Item	物料码 Part No.	名称 Description	数量 Qty	备注或适用车型 Remarks or Serial No.
43	JDS30.043 ($\delta=0.1$)	垫片 $\delta=0.1$ Shim	1/3	
44	JDS30.043 ($\delta=0.2$)	垫片 $\delta=0.2$ Shim		
45	JDS30.043 ($\delta=0.3$)	垫片 $\delta=0.3$ Shim		
46	JDS30.042	止推垫圈 Washer,stop	1	
47	JDS30.020 ($\delta=4$)	止推板 $\delta=4$ Plate,thrust	1/4	
	JDS30.020 ($\delta=4.5$)	止推板 $\delta=4.5$ Plate,thrust		
	JDS30.020 ($\delta=5$)	止推板 $\delta=5$ Plate,thrust		
	JDS30.020 ($\delta=5.5$)	止推板 $\delta=5.5$ Plate,thrust		
48	JDS30.021	弹簧垫圈 Spring washer	1	
49	JDS30.075	防松螺母 Nut	1	
50	32208 GB/T297-94	圆锥滚子轴承 32208 Bearing,taper roller	1	
51	32305 GB/T297-94	圆锥滚子轴承 32305 Bearing,taper roller	1	
52	JDS30.035	双联齿轮 Gear,cluster	1	
53	JDS30.034	衬套 Spacer	1	
54	K35×40×30ZW	滚针轴承 K35×40×30ZW Bearing,needle	2	

图 17 变速器(机械式 其 2)中南 ZhongNan
 Fig.17 Transmission(clutch type part-2)

1.0t-3.5t
 JDS 系列机械变速箱 JDS Series Mechanical Gearbox



序号 Item	物料码 Part No.	名称 Description	数量 Qty	备注或适用车型 Remarks or Serial No.
55	JDS30.036A	衬套 Spacer	1	
56	JDS30.023	输出齿轮 Gear,output	1	
57	JDS30.010A	啮合套 Sleeve	1	
58	JDS30.29	调整垫片 Shim	2/3	

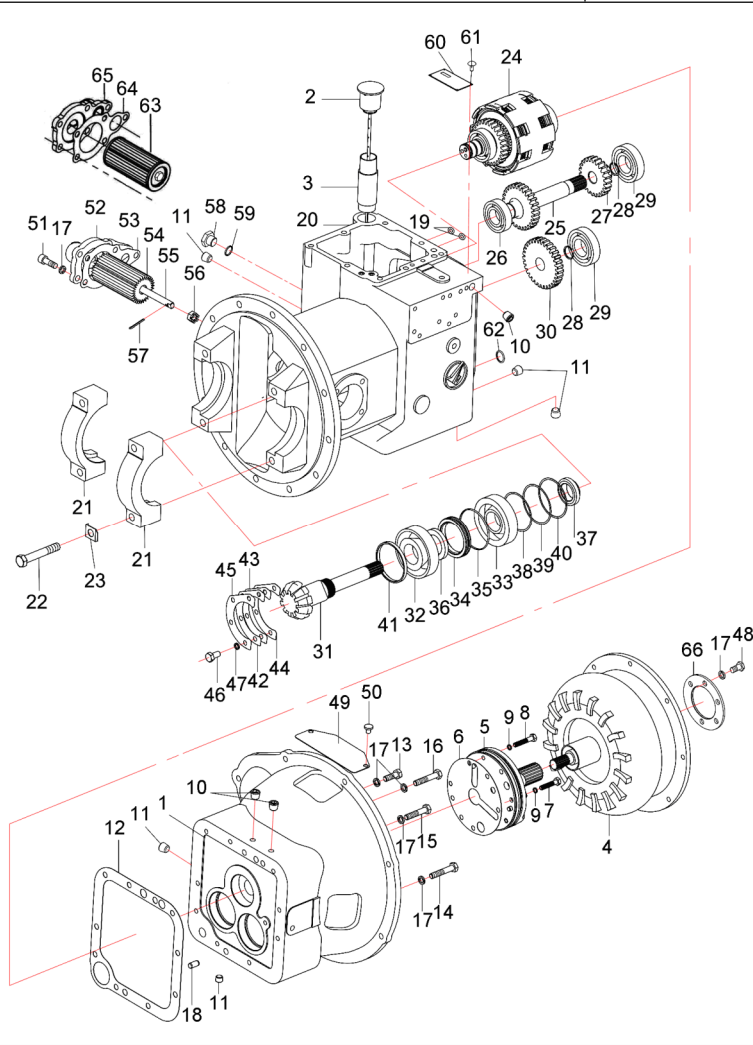
图 18 变速箱（液力式）中南 ZhongNan
Fig.18 Transmission(tor-con type)

1.0t-3.5t
YQX,YQXD 系列液力传动变速箱
YQX,YQXD Series Hydrodynamic Transmission Gearbox

序号 Item	物料码 Part No.	名称 Description	数量 Qty	备注或适用车型 Remarks or Serial No.
1	YDS30.035	变矩器壳体 Case,Torque-converter	1	YQXD18E
	YDS30H1.001			YQX18H1, YQX30H1 YQXD18H1
	YDS30.035			YQX30 YQXD30
	YDS30A.001			YQX18HA YQX30A,YQXD30A
	YDS30.035			YQX30H
	YDS30.035			
2	YDS30.909	加油口盖 Cup, Oil fill	1	
3	YDS30.049	加油管 Pipe oil fill	1	
4	YJH265	液力变矩器 Torque-converter	1	YQXD18E
	YJH265			YQX18H1, YQX30H1 YQXD18H1
	YJH265			YQX30 YQXD30
	YJH265D			YQX18HA YQX30A,YQXD30A
	YJH265			
	YJH265D			

图 18 变速箱（液力式）中南 ZhongNan
Fig.18 Transmission(tor-con type)

1.0t-3.5t
YQX,YQXD 系列液力传动变速箱
YQX,YQXD Series Hydrodynamic Transmission Gearbox



序号 Item	物料码 Part No.	名称 Description	数量 Qty	备注或适用车型 Remarks or Serial No.
4	YJH265A	液力变矩器 Torque-converter	1	YQX30H
5	YDS30.906	供油泵总成 Charging pump assy	1	见图 23 See Fig.23
6	YDS30.100	垫片 Gasket	1	
7	GB/T5789-1986-M8×50-10.9	螺栓 Bolt	2	YDS30.110
8	GB/T5789-1986-M8×40-10.9	螺栓 Bolt	4	YDS30.111
9	YDS30.144	组合密封垫圈 Combined sealing washer	6	8 JB/T 982-1977
10	YDS30.103	螺塞 Plug	3	
11	YDS30.104	螺塞 Plug	5	
12	YDS30.038	垫片 Gasket	1	
13	GB/T5783-2000-M10×30	螺栓 Bolt	4	
14	GB/T5783-2000-M10×50	螺栓 Bolt	1	
15	GB/T5783-2000-M10×55	螺栓 Bolt	3	
16	YDS30.165	螺栓 Bolt	1	GB/T5783-2000-M10×75
17	GB/T93-1987-10	弹簧垫圈 Washer spring	20	
18	GB/T119.1-2000-12h8×20	圆柱销 Round pin	2	

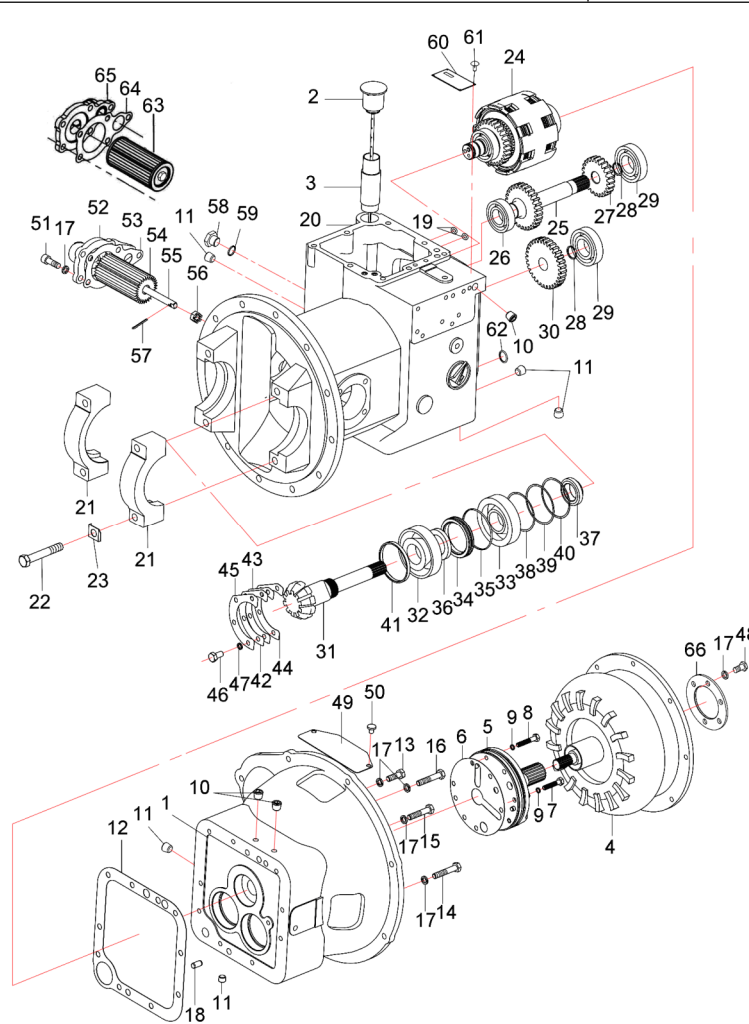
图 18 变速箱（液力式）中南 ZhongNan
Fig.18 Transmission(tor-con type)

1.0t-3.5t
YQX,YQXD 系列液力传动变速箱
YQX,YQXD Series Hydrodynamic Transmission Gearbox

序号 Item	物料码 Part No.	名称 Description	数量 Qty	备注或适用车型 Remarks or Serial No.
19	15×2.4 GB1235-76	O 形密封圈 O-ring	2	
20	YDS25.018	液力变速箱壳体 Case, Transmission	1	1.0t-1.8t
	YDS30.136			2.0t-3.5t
21	YDS25.002	轴承座 Bearing seat	2	1.0t-1.8t
	YDS30.072			2.0t-3.5t
22	YDS30.089	螺栓 Bolt	4	
23	YDS25.003	锁片 Plate,lock	4	1.0t-1.8t
	YDS30.082			2.0t-3.5t
24	YDS18.901	液力离合器总成 Clutch, hydraulic	1	1.0t-1.8t 见图 19 SeeFig.19
	YDS30.901			2.0t-3.5t 见图 19 SeeFig.19
25	YDS30.025	惰轮轴 Shaft,idler	1	
26	6206 GB/T276-1994	深沟球轴承 Deep groove ball bearings	1	
27	YDS30.037	惰轮 Gear,idler	1	
28	GB/T893.1-1986-24	孔用弹性挡圈 Circlips For Holes	1	
29	6207 GB/T276-1994	深沟球轴承 Deep groove ball bearings	2	

图 18 变速箱（液力式）中南 ZhongNan
Fig.18 Transmission(tor-con type)

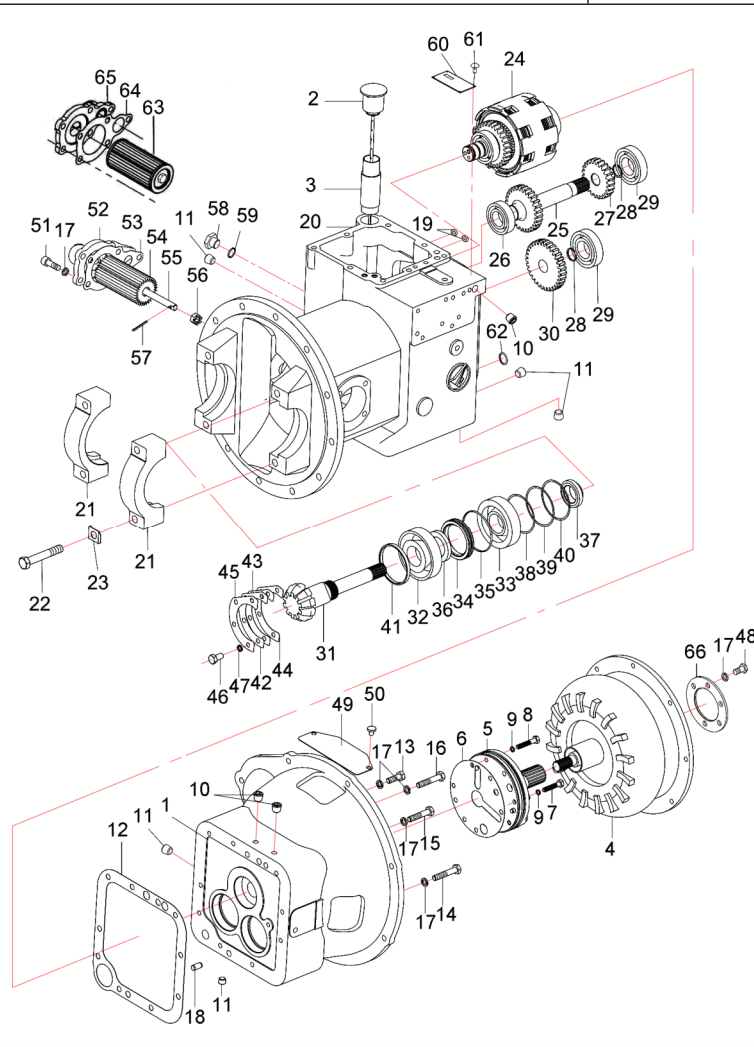
1.0t-3.5t
YQX,YQXD 系列液力传动变速箱
YQX,YQXD Series Hydrodynamic Transmission Gearbox



序号 Item	物料码 Part No.	名称 Description	数量 Qty	备注或适用车型 Remarks or Serial No.
30	YDS30.036	输出齿轮 Gear output	1	
31	YDS18.003	输出轴 Shaft,output	1	1.0t-1.8t
	YDS30DY.002			3.0t-3.5t
32	32208 GB/T 297-1994	圆锥滚子轴承 Bearing,taper rollrt	1	
33	30208 GB/T 297-1994	圆锥滚子轴承 Bearing,taper rollrt	1	
34	YDS30.023	油封保持架 Retainer,oil seal	1	
35	80×3.1 GB1235-76	O形密封圈 O-ring	1	
36	12163-82131	油封 Seal,oil	1	
37	YDS30.024	螺母 Nut	1	
38	YDS30.019 (δ=0.1)	垫 Shim	按需 Need d	
39	YDS30.019 (δ=0.2)			
40	YDS30.019 (δ=0.5)			
41	YDS30.020	轴环 Collapsible	1	

图 18 变速箱（液力式）中南 ZhongNan
Fig.18 Transmission(tor-con type)

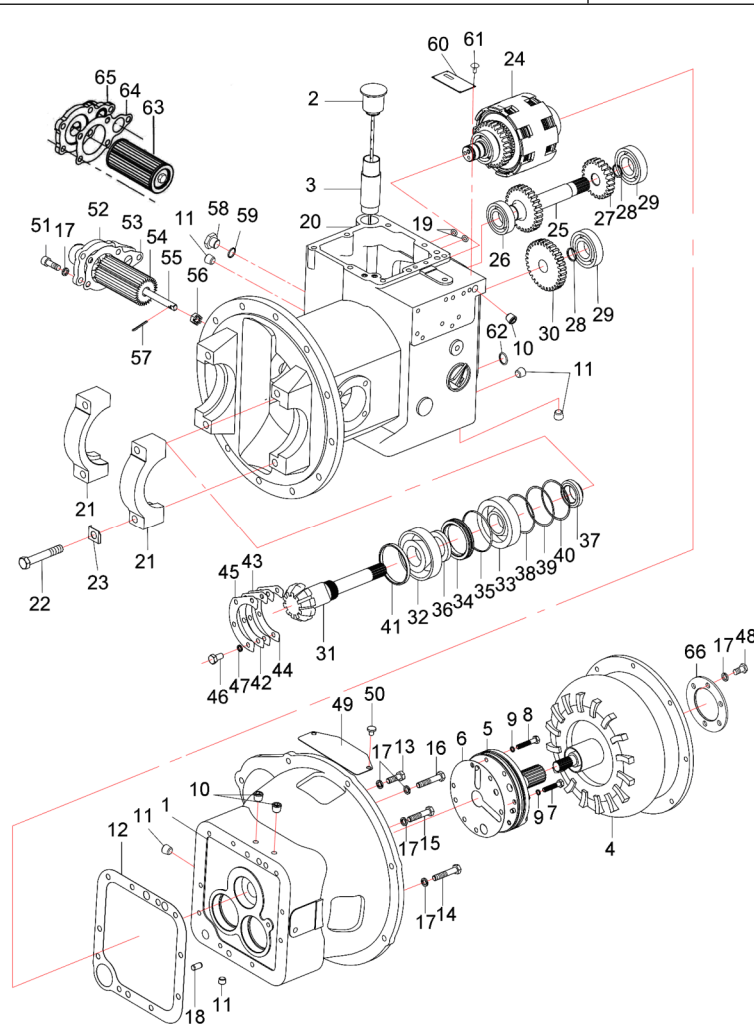
1.0t-3.5t
YQX,YQXD 系列液力传动变速箱
YQX,YQXD Series Hydrodynamic Transmission Gearbox



序号 Item	物料码 Part No.	名称 Description	数量 Qty	备注或适用车型 Remarks or Serial No.
42	YDS30.022 (δ=0.1)	垫片 Shim	按需 Need	
43	YDS30.022 (δ=0.2)			
44	YDS30.022 (δ=0.5)			
45	YDS30.021	支承片 Plate,,support	1	
46	GB/T5783-2000-M8×20	螺栓 Bolt	4	
47	GB/T93-1987-8	弹簧垫圈 Washer, spring	4	
48	GB/T5786-2000-M10×1.25×20	螺栓 Bolt	6	
49	FYQX30.056	窗盖 Cover	1	YDS30.112
50	GB/T818-2000-M8×10	螺钉 Screw	2	
51	GB/T70.1-2000-M10×30	螺钉 Screw	5	
52	YDS30.133	油滤座 Seat ,Strainer	1	
53	YDS30.134	纸垫 paper washer	1	
54	YBS3.814	滤网组件 Filter components	1	
55	YDS30.135	螺杆 screw stem	1	
56	GB/T6181-1986-M12	螺母 Nut	1	

图 18 变速箱（液力式）中南 ZhongNan
Fig.18 Transmission(tor-con type)

1.0t-3.5t
YQX,YQXD 系列液力传动变速箱
YQX,YQXD Series Hydrodynamic Transmission Gearbox



序号 Item	物料码 Part No.	名称 Description	数量 Qty	备注或适用车型 Remarks or Serial No.
57	GB/T91-2000-3.2×30	销 pin	1	
58	YBS5.133	堵塞 block up	1	
59	18 JB982-77	组合密封垫圈 Combined sealing washer	1	
60	NO PART NO.	标牌 nameplate	1	
61	NO PART NO.	标牌铆钉 Rivet, nameplate	4	
62	24×2.4 GB1235-76	O形密封圈 O-ring	1	
63	YDS30.911	滤油器 Filter components	1	1t-1.8t, ≥2016-01
64	YDS30.156	滤油座纸垫 Paper pad, Oil filter seat	1	1t-1.8t, ≥2016-01
65	YDS18.006	油滤座 Oil filter seat	1	1t-1.8t, ≥2016-01
66	YJH265.001	垫圈 Washer	1	

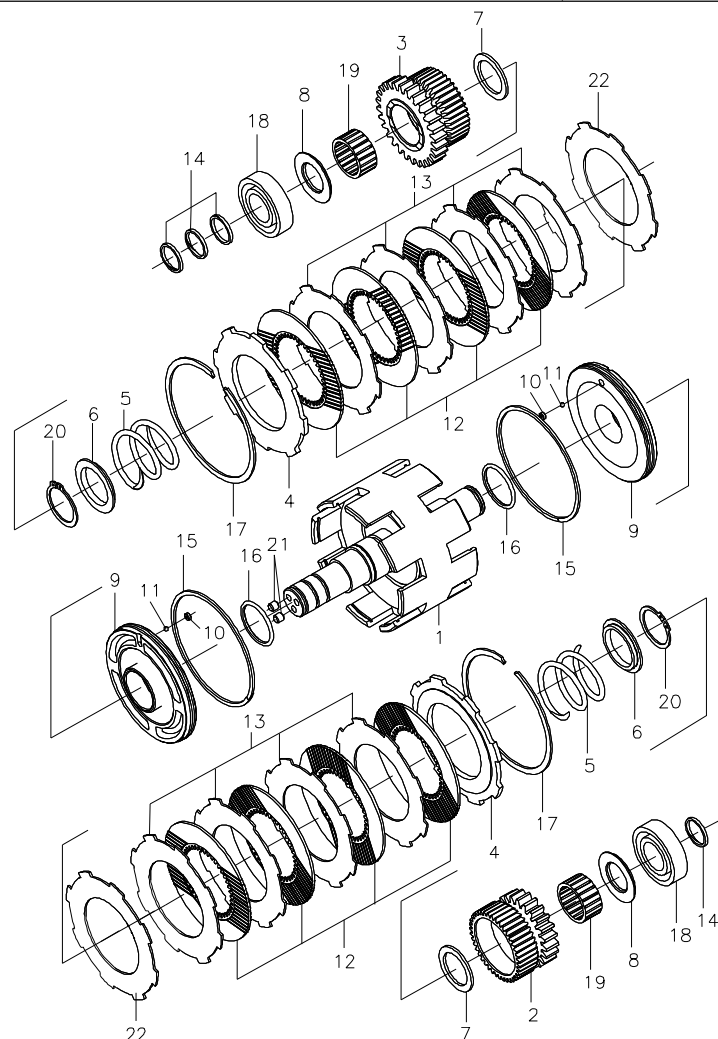
图 19 液力离合器(液力式) 中南 ZhongNan
Fig.19 Hydraulic clutch(tor-con type)

1.0t-3.5t
YQX,YQXD 系列液力传动变速箱
YQX,YQXD Series Hydrodynamic Transmission Gearbox

序号 Item	物料码 Part No.	名称 Description	数量 Qty	备注或适用车型 Remarks or Serial No.
A1	YDS18.901	液力离合器总成 Hydraulic clutch,assy	1	1.0t-1.8t See Fig.18 Item24
A2	YDS30.901	液力离合器总成 Hydraulic clutch,assy	1	2.0t-3.5t See Fig.18 Item24
1	FYQX30.810	输入轴总成 Assy,Shaft,input	1	YDS30.802
2	YDS30.007	前进档齿轮 Gear,forward	1	
3	YDS30.008	后退档齿轮 Gear,reverse	1	
4	YDS30.012	端板 Plate,end	2	1.0t-1.8t
4	YDS30.018	端板 Plate,end	2	2.0t-3.5t
5	YDS30.009	回程弹簧 Spring,return	2	
6	YDS30.010	弹簧座 Seat,spring	2	
7	YDS30.011	止推环 (A) Ring,thrust	2	
8	YDS30.012	止推环 (B) Ring,thrust	2	
A3	YDS30.902	活塞总成 Piston assy	2	包含/INC.9-11
9	YDS30.005	活塞 Piston	2	
10	YDS30.006	塞 Plug	2	
11	4 G200b GB/T 308-2002	钢球 Steel ball	2	

图 19 液力离合器(液力式) 中南 ZhongNan
Fig.19 Hydraulic clutch(tor-con type)

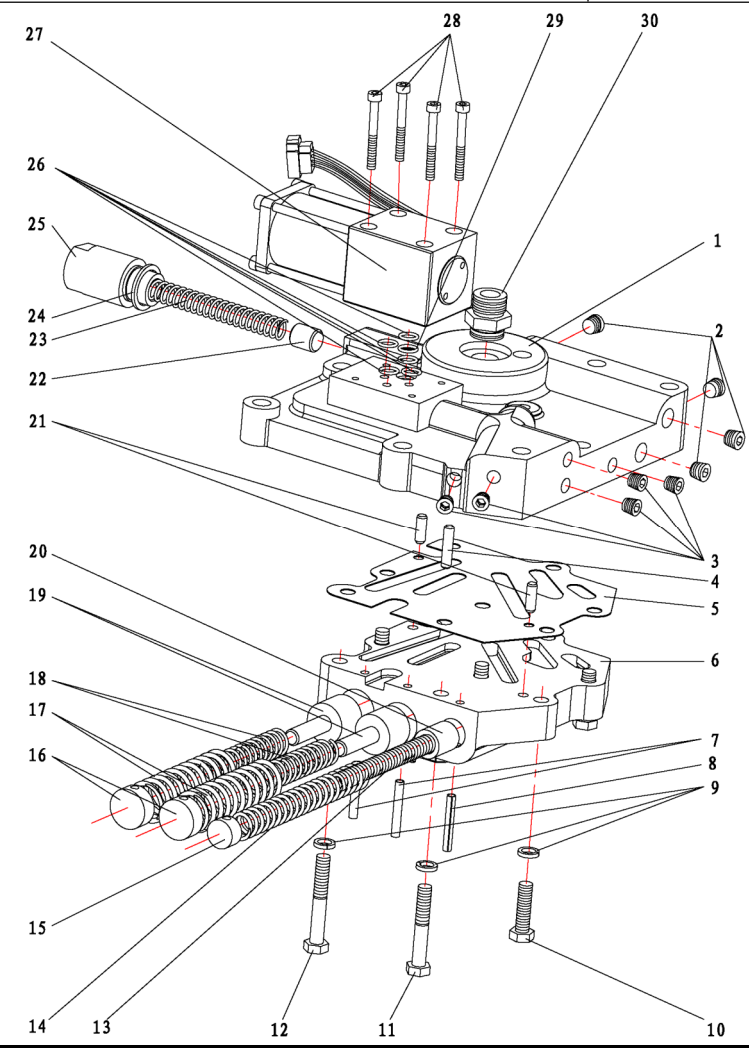
1.0t-3.5t
YQX,YQXD 系列液力传动变速箱
YQX,YQXD Series Hydrodynamic Transmission Gearbox



序号 Item	物料码 Part No.	名称 Description	数量 Qty	备注或适用车型 Remarks or Serial No.
12	11243-82141	摩擦片 Disk,friction	6	1t-1.8t
12	11243-82141	摩擦片 Disk,friction	8	2t-3.5t
13	123S3-82111	隔片 Spacer	6	1t-1.8t
13	123S3-82111	隔片 Spacer	8	2t-3.5t
14	YDS30.015	密封环 (A) Ring,seal	4	
15	YDS30.016	密封环 (B) Ring,seal	2	
16	40×3.5 GB 1235-76	O 形密封圈 O-ring	2	
17	YDS30.017	卡环 Snap ring	2	
18	6026 GB/T 276-9994	深沟球轴承 Deep groove ball bearings	2	
19	K35×42×20	滚针轴承 Bearing,needle	2	
20	GB/T 894.1-1986-40	轴用弹性挡圈 Circlips For shaft 40	2	
21	GB/T 77-2000-M8×8	螺钉 Screw	2	
22	YDS18.001	碟形板 Disc shaped plate	2	1t-1.8t

图 20 DCCT5 控制阀（液力式）中南
Fig.20 inching valve(tor-con type) ZhongNan

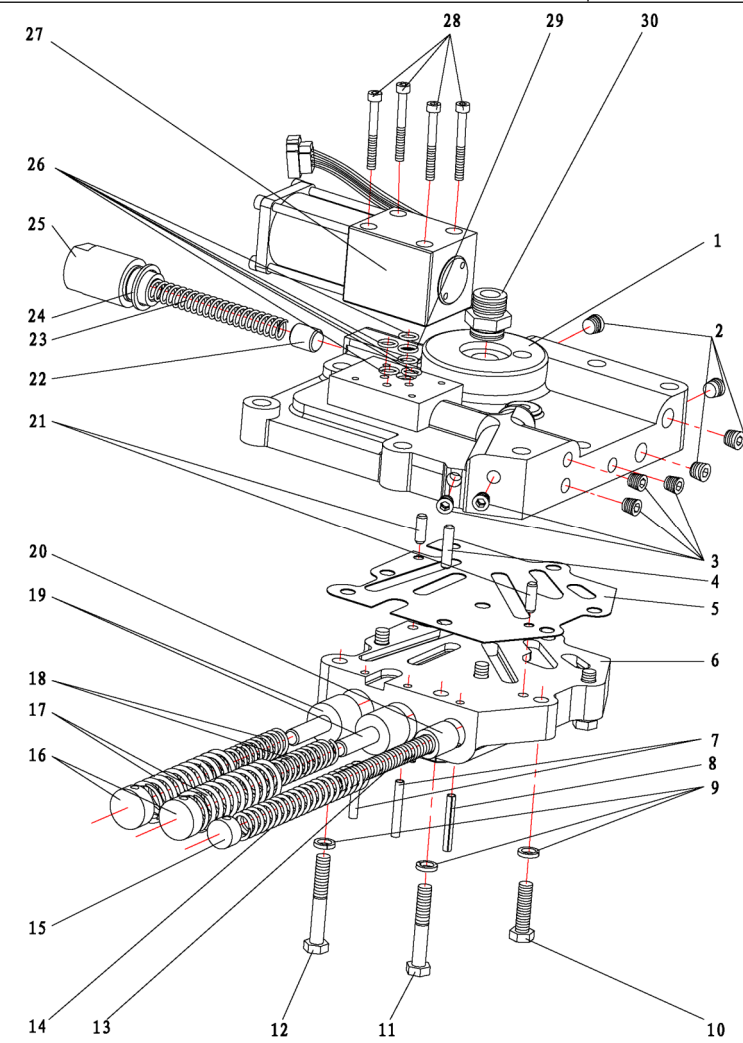
1.0t-3.5t
YQXD（电磁阀换向）系列液力变速箱
YQXD (Solenoid valve Commutation) Series Hydrodynamic Gearbox



序号 Item	物料码 Part No.	名称 Description	数量 Qty	备注或适用车型 Remarks or Serial No.
A1	DCCT5-HF	DCCT5-HF 控制阀总成 inching valve assy	1	包含INC:1-30, 防水接插件 Plug & Socket Waterproof
1	11243-83272	壳体盖 Cover, Case	1	不单独提供 Do not supply separately
2	YDS30.103	螺塞 Plug	4	
3	YDS30.102	螺塞 Plug	5	
4	GB/T119.1-2000-6h8×28	圆柱销 Round pin	1	
5	116H3-82361a	纸垫 Paper washer	1	
6	15583-83362	阀体 Valve body	1	不单独提供 Do not supply separately
7	GB/T879.1-2000-5×40	弹性圆柱销 Elastic cylindrical pin	2	
8	GB/T879.1-2000-5×35	弹性圆柱销 Elastic cylindrical pin	1	
9	GB/T93-1987-8	垫圈 Washer	8	
10	GB/T5783-2000-M8×30-10.9	螺栓 Bolt	2	
11	GB/T5782-2000-M8×50-10.9	螺栓 Bolt	3	
12	GB/T5782-2000-M8×55-10.9	螺栓 Bolt	3	
13	YDS30.059	弹簧 Spring	1	

图 20 DCCT5 控制阀 (液力式) 中南
Fig.20 inching valve (tor-con type) ZhongNan

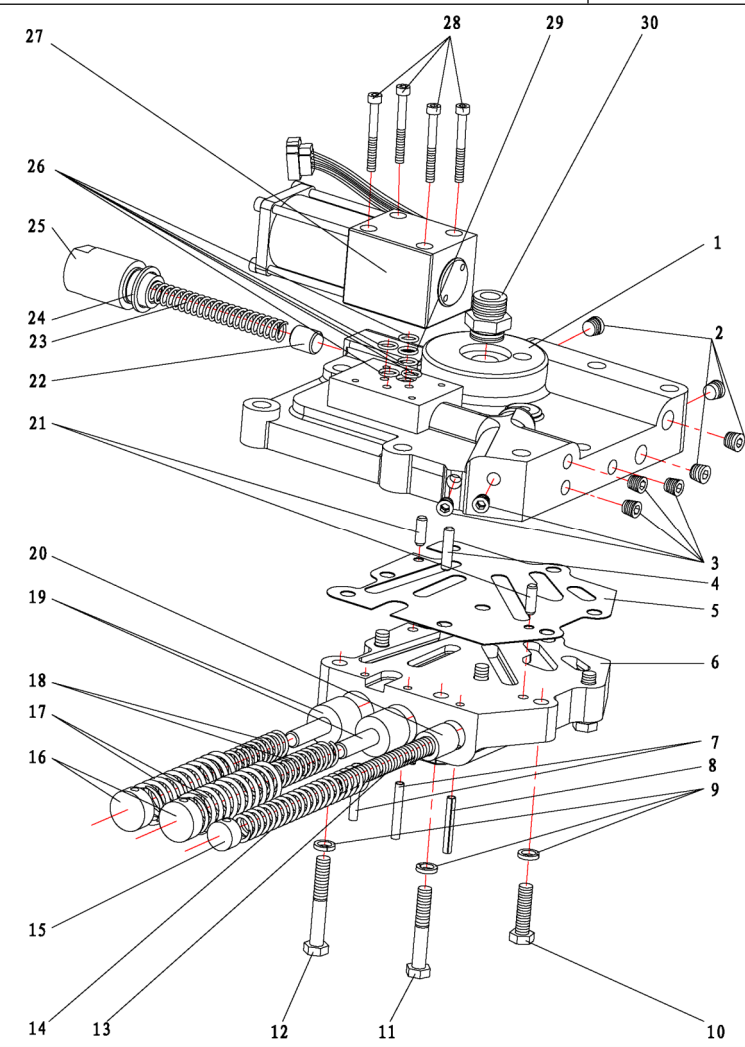
1.0t-3.5t
YQXD (电磁阀换向) 系列液力变速箱
YQXD (Solenoid valve Commutation) Series Hydrodynamic Gearbox



序号 Item	物料码 Part No.	名称 Description	数量 Qty	备注或适用车型 Remarks or Serial No.
14	15583-82411a	弹簧 Spring	1	
15	YDS30.060	塞 Plug	1	
16	YDS30.064	塞 Plug	2	
17	YDS30.062	弹簧 Spring	2	
18	YDS30.063	弹簧 Spring	2	
19	YDS30.061	阀芯 Balsa	2	
20	YDS30.057	活塞 Piston	1	
21	GB/T119.1-2000-6h8×18	圆柱销 Round pin	2	
22	YDS30.052	活塞 Piston	1	
23	YDS30.050	弹簧 Spring	1	
24	20 JB/T982-1977	组合密封垫圈 Combined sealing washer	1	
25	YDS30.051	安全阀盖 Relief valve cover	1	
26	9.00×1.80 GB3452.1-1992	O 形密封圈 O-ring	5	
27	SWM-G02-C4-D12-30-S006 -HF	电磁换向阀 Solenoid valve	1	防水接插件 Plug & Socket Waterproof
28	GB/T70.1-2000-M5×45	内六角圆柱头螺钉 screw	4	不单独提供 Do not supply separately

图 20 DCCT5 控制阀（液力式）中南
Fig.20 inching valve(tor-con type) ZhongNan

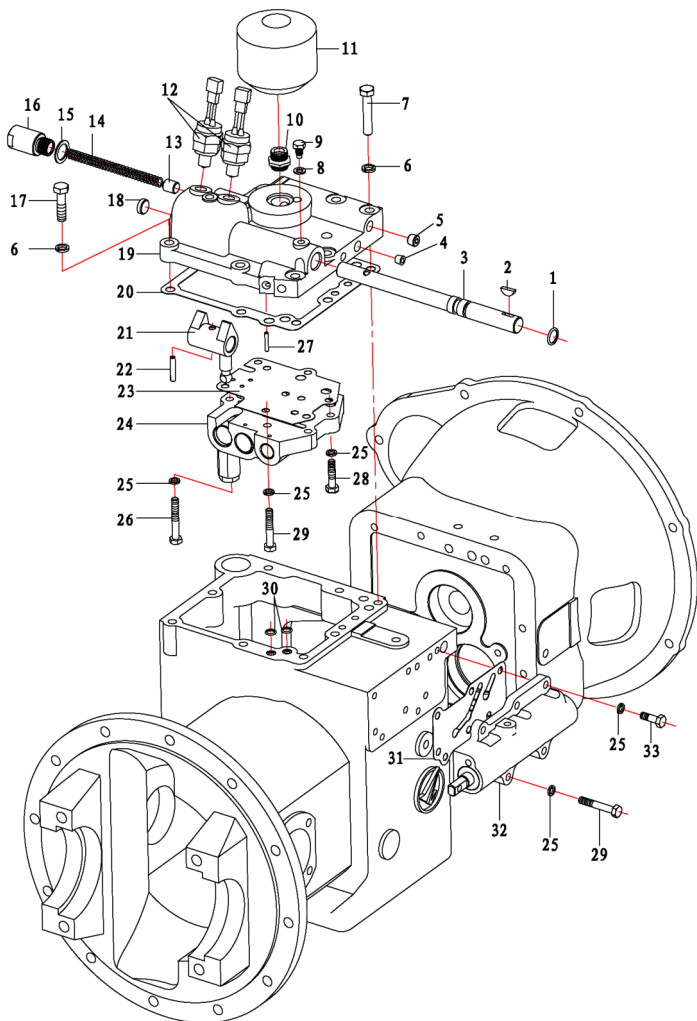
1.0t-3.5t
YQXD（电磁阀换向）系列液力变速箱
YQXD (Solenoid valve Commutation) Series Hydrodynamic Gearbox



序号 Item	物料码 Part No.	名称 Description	数量 Qty	备注或适用车型 Remarks or Serial No.
29	13983-82161	滤网 Filter	1	
30	YDS30.048	管接头 Nipple	1	不单独提供 Do not supply separately
A2	YDS30.910	微动阀总成 Inching valve	1	见图 21 序号 32 See Fig.21 Item32

图 21 盖、控制阀、微动阀（液力式）中南
 Fig.21 Cover control valve & inching valve (tor-con type) ZhongNan

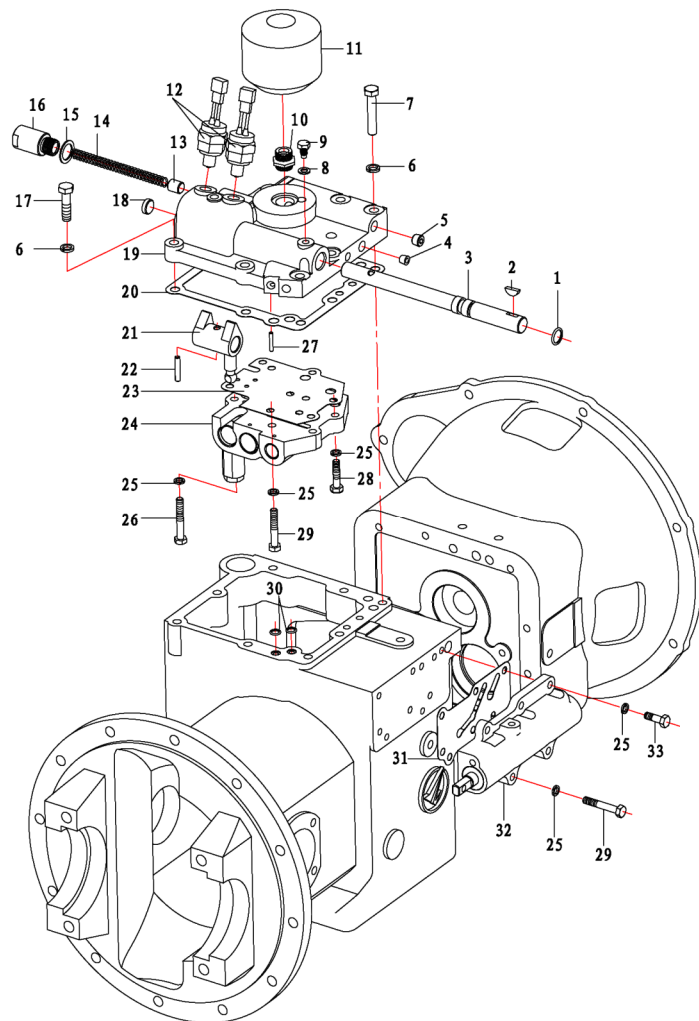
1.0t-3.5t
 YQX,YQXD 系列液力传动变速箱
 YQX,YQXD Series Hydrodynamic Transmission Gearbox



序号 Item	物料码 Part No.	名称 Description	数量 Qty	备注或适用车型 Remarks or Serial No.
1	20×2.4 GB1235-76	O 形密封圈 O-ring	1	
2	5×19 GB/T1099.1-2003	半圆键 Key,woodruf	1	
3	YDS30.032	变速臂轴 Shaft,shift arm	1	
4	YDS30.102	螺塞 Plug	6	
5	YDS30.103	螺塞 Plug	4	
6	GB/T93-1987-10	弹簧垫圈 Washer,spring	8	
7	GB/T5783-2000-M10×55-10.9	螺栓 Bolt	2	
8	8×14×1.5 Q/301B202-86	密封圈 Seal ring	1	
9	YDS30.068	固定螺栓 Bolt,set	1	
10	YDS30.048	管接头 Nipple	1	
11	YBS5.904	滤清器 Strainer	1	
12	JK208	倒车灯开关 Switch	2	
13	YDS30.052	活塞 Piston	1	
14	YDS30.050	弹簧 Spring	1	
15	20×28×1.5Q/301B202-86	密封圈 Seal ring	1	

图 21 盖、控制阀、微动阀（液力式）中南
Fig.21 Cover control valve & inching valve (tor-con type) ZhongNan

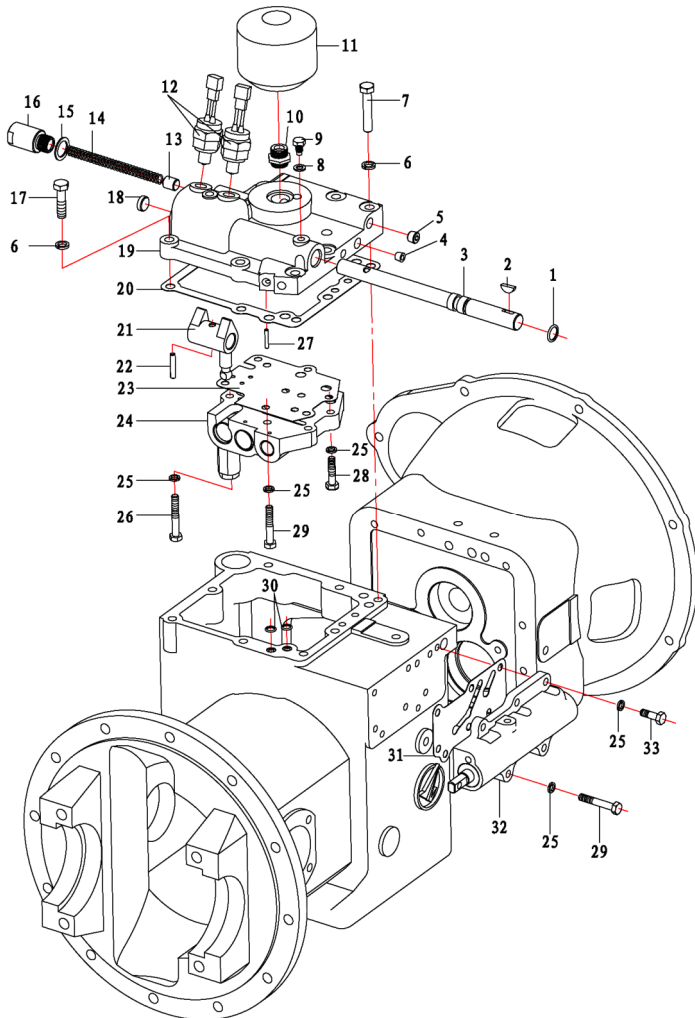
1.0t-3.5t
YQX,YQXD 系列液力传动变速箱
YQX,YQXD Series Hydrodynamic Transmission Gearbox



序号 Item	物料码 Part No.	名称 Description	数量 Qty	备注或适用车型 Remarks or Serial No.
16	YDS30.051	安全阀盖 Cup	1	
17	GB/T5783-2000-M10×40-10.9	螺栓 Bolt	6	
18	YDS30.034	塞子 Plug	1	
A1	YDS30.907	盖和控制阀总成 Assy, Cover Control valve	1	包含/INC:19,21,24
19	YDS30.066	壳体盖 Cover,case	1	不单独提供 Do not supply separately
20	YDS30.067	垫片 Gasket	1	
21	YDS30.033	变速臂 Arm,shift	1	不单独提供 Do not supply separately
22	GB/T879.1-2000-6×32	弹性圆柱销 Elastic cylindrical pin	1	
23	YDS30.065	垫片 Gasket	1	
24	YDS30.904	控制阀总成 Control valve assy	1	不单独提供 Do not supply separately
25	GB/T93-1987-8	弹簧垫圈 Washer,lock	11	
26	GB/T5783-2000-M8×55-10.9	螺栓 Bolt	2	
27	GB/T879.1-2000-4×25	弹性圆柱销 Elastic cylindrical pin	1	
28	GB/T5783-2000-M8×35-10.9	螺栓 Bolt	2	
29	GB/T5783-2000-M8×50-10.9	螺栓 Bolt	4	

图 21 盖、控制阀、微动阀（液力式）中南
 Fig.21 Cover control valve & inching valve (tor-con type) ZhongNan

1.0t-3.5t
 YQX,YQXD 系列液力传动变速箱
 YQX,YQXD Series Hydrodynamic Transmission Gearbox



序号 Item	物料码 Part No.	名称 Description	数量 Qty	备注或适用车型 Remarks or Serial No.
30	11×1.9 GB1235-76	O 形密封圈 O-ring	2	
31	YDS30.047	垫片 Gasket	1	
32	YDS30.910S	微动阀总成 Inching valve	1	YDS30.910
33	GB/T5783-2000-M8×25-10.9	螺栓 Bolt	3	

图 22 减速器和差速器 (中南)
Fig.22 Reduction & differential (ZhongNan)

1.0t-3.5t
全部车型 All models of truck

序号 Item	物料码 Part No.	名称 Description	数量 Qty	备注或适用车型 Remarks or Serial No.
1	YDS25.016	齿轴 Shaft, final pinion	1	1.0t-1.8t
	YDS30.070	齿轴 Shaft, final pinion	1	2.0t-3.5t
2	YDS18.004	螺旋伞齿轮 Gear, spiral bevel	1	1.0t-1.8t
	YDS30DY.071	螺旋伞齿轮 Gear, spiral bevel	1	2.0t-3.5t
3	YDS30.086	衬套 Spacer	1	
4	32207 GB/T297-94	圆锥滚子轴承32207 Bearing, taper roller	2	
5	YDS30.087	轴承盖 Cover, bearing	2	<2013-01-01
5	YDS18.005	轴承盖 Cover, bearing	2	≥2013-01-01
6	75×3.1 GB1235-76	O形圈75×3.1 O-ring 75×3.1	2	
7	GB5783-86 M10×25	螺栓M10×25 Bolt M10×25	8	<2013-01-01
7	GB5783-2000 M10×30	螺栓M10×30 Bolt M10×30	8	≥2013-01-01
8	GB93-87-10	弹簧垫圈10 Washer, spring 10	8	

图 22 减速器和差速器 (中南)
Fig.22 Reduction & differential (ZhongNan)

1.0t-3.5t
全部车型 All models of truck

序号 Item	物料码 Part No.	名称 Description	数量 Qty	备注或适用车型 Remarks or Serial No.
9	YDS30.090 ($\delta=0.1,0.15$)	垫片 $\delta=0.1,0.15$ Shim	2	3 组选装 6 件 Select 6 piece in 3 groups
10	YDS30.090 ($\delta=0.2$)	垫片 $\delta=0.2$ Shim	2	
11	YDS30.090 ($\delta=0.5$)	垫片 $\delta=0.5$ Shim	2	
12	YDS25.010	齿圈 Gear, ring	1	1.0t-1.8t
A1	YDS25.901	差速器总成 Differential assy	1	1.0t-1.8t 包含/INC:12,16-30
A2	YDS30.905	差速器总成 Differential assy	1	2.0t-3.5t 包含/INC:12-30
12	YDS25.073	齿圈 Gear, ring	1	2.0t-3.5t
13	YDS30.077	螺栓 Bolt	16	2.0t-3.5t
14	GB/T6176-2000-M10×1.25-12	螺母 Nut	16	2.0t-3.5t
15	YDS30.088	锁紧垫片 Washer, lock	8	2.0t-3.5t
16	YDS25.004	右差速器壳 Case, cross R,H	1	1.0t-1.8t
17	YDS25.005	左差速器壳 Case, cross L,H	1	16、17成对购买 16、17Paired buy
16	YDS30.074	右差速器壳 Case, cross R,H	1	2.0t-3.5t
17	YDS30.075	左差速器壳 Case, cross L,H	1	16、17成对购买 16、17Paired buy

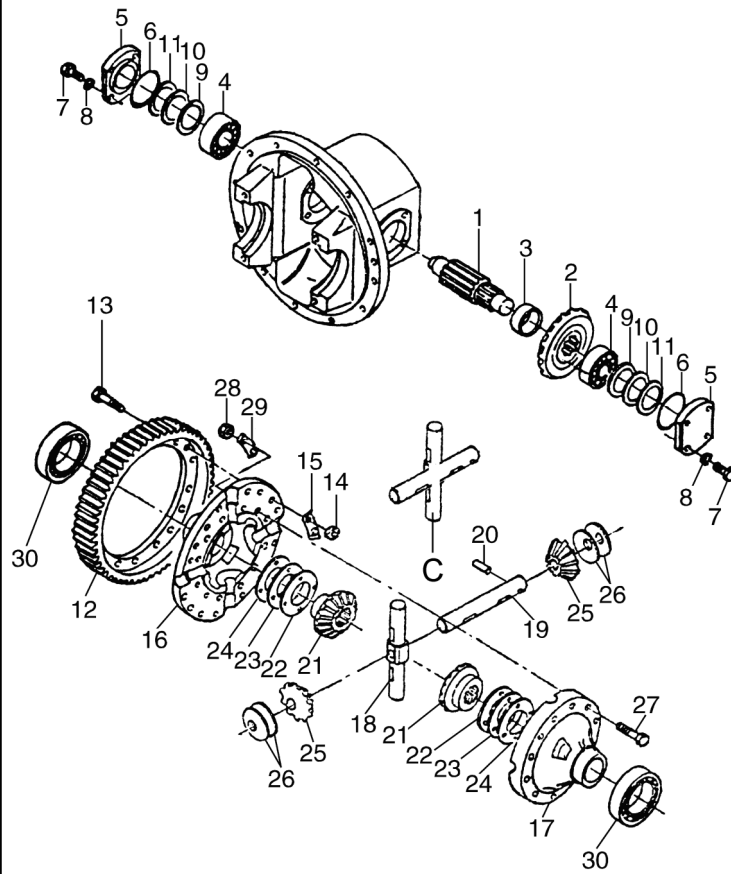


图 22 减速器和差速器 (中南)
Fig.22 Reduction & differential (ZhongNan)

1.0t-3.5t
全部车型 All models of truck

序号 Item	物料码 Part No.	名称 Description	数量 Qty	备注或适用车型 Remarks or Serial No.
C	YDS25.019	十字齿轮轴 Cross gear shaft	1	1t-1.8t, ≥2013-11 取代 Replace:18,19,20
C	14453-52101A	十字齿轮轴 Cross gear shaft	1	2t-3.5t, ≥2013-11 取代 Replace:18,19,20
18	YDS25.008	齿轮轴 (I) Shaft, pinion	1	1.0t-1.8t, <2013-11
18	YDS30.080	齿轮轴 (I) Shaft, pinion	1	2.0t-3.5t, <2013-11
19	YDS25.009	齿轮轴 (II) Shaft, pinion	1	1.0t-1.8t, <2013-11
	YDS30.081	齿轮轴 (II) Shaft, pinion	1	2.0t-3.5t, <2013-11
20	GB119-86-B6×28	园柱销B6×28 Pin parallel	1	1.0t-1.8t, <2013-11
20	GB119-86-B6×30	园柱销B6×30 Pin parallel	1	2.0t-3.5t, <2013-11
21	YDS25.011	半轴齿轮 Gear, side	2	1.0t-1.8t
	YDS30.085	半轴齿轮 Gear, side	2	2.0t-3.5t
22 23 24	YDS25.012 (δ=1.8)	垫圈δ=1.8 Washer	1/4 ×	1.0t-1.8t
	YDS25.012 (δ=2.0)	垫圈δ=2.0 Washer	2	
	YDS25.012 (δ=2.2)	垫圈δ=2.2 Washer	1/4 ×	1.0t-1.8t
	YDS25.012 (δ=2.4)	垫圈δ=2.4 Washer	2	

图 22 减速器和差速器 (中南)
Fig.22 Reduction & differential (ZhongNan)

1.0t-3.5t
全部车型 All models of truck

序号 Item	物料码 Part No.	名称 Description	数量 Qty	备注或适用车型 Remarks or Serial No.
22	YDS30.079S (δ=2.2)	垫圈δ=2.2 Washer	1/3 × 2	2.0t-3.5t
23	YDS30.079S(δ=2.4)	垫圈δ=2.4 Washer		
24	YDS30.079S (δ=2.5)	垫圈δ=2.5 Washer		
25	YDS25.007	行星齿轮 Gear, pinion	4	1.0t-1.8t
25	YDS30.083	行星齿轮 Gear, pinion	4	2.0t-3.5t
26	YDS25.006 (δ=1.8)	止推垫片δ=1.8 Washer, thrust	1/3 × 4	1.0t-1.8t
26	YDS25.006 (δ=,2.0)	止推垫片δ=,2.0 Washer, thrust		
26	YDS25.006 (δ=2.2)	止推垫片δ=2.2 Washer, thrust		
26	YDS30.084	止推垫片 Washer, thrust	4	2.0t-3.5t
27	YDS25.013	螺栓 Bolt	12	1.0t-1.8t
27	YDS30.076	螺栓 Bolt	12	2.0t-3.5t
28	GB6176-2000-M10×1.2 5-S12	螺母M10×1.25,12级 Nut	12	
29	YDS25.014	锁紧垫片 Washer, lock	6	1.0t-1.8t
29	YDS30.078	锁紧垫片 Washer, lock	6	2.0t-3.5t
30	6211 GB/T276-94	深沟球轴承6211 Deep groove ball bearings	2	1.0t-1.8t

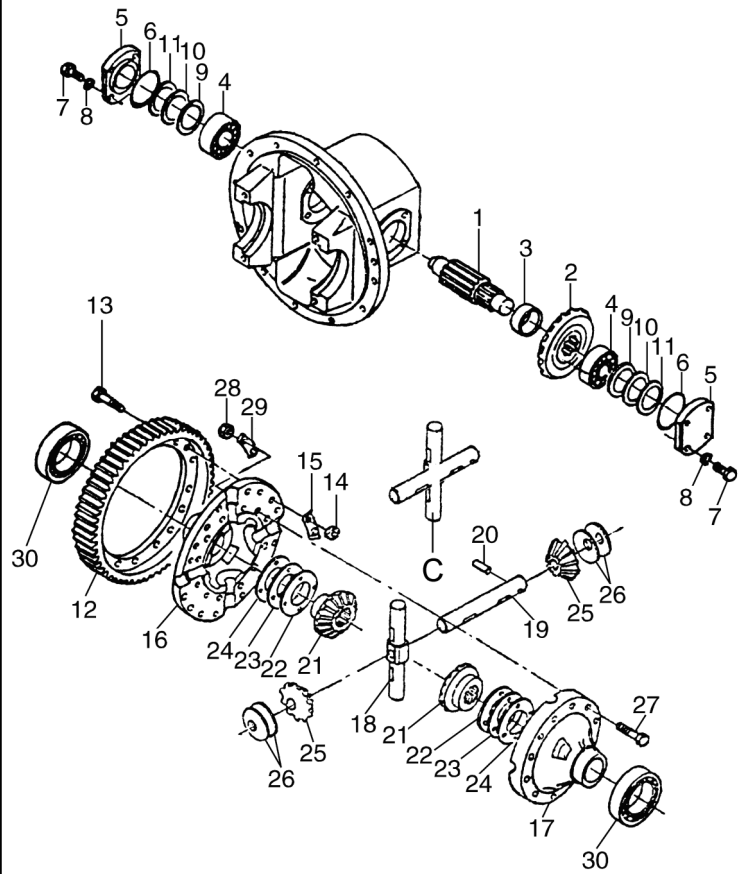
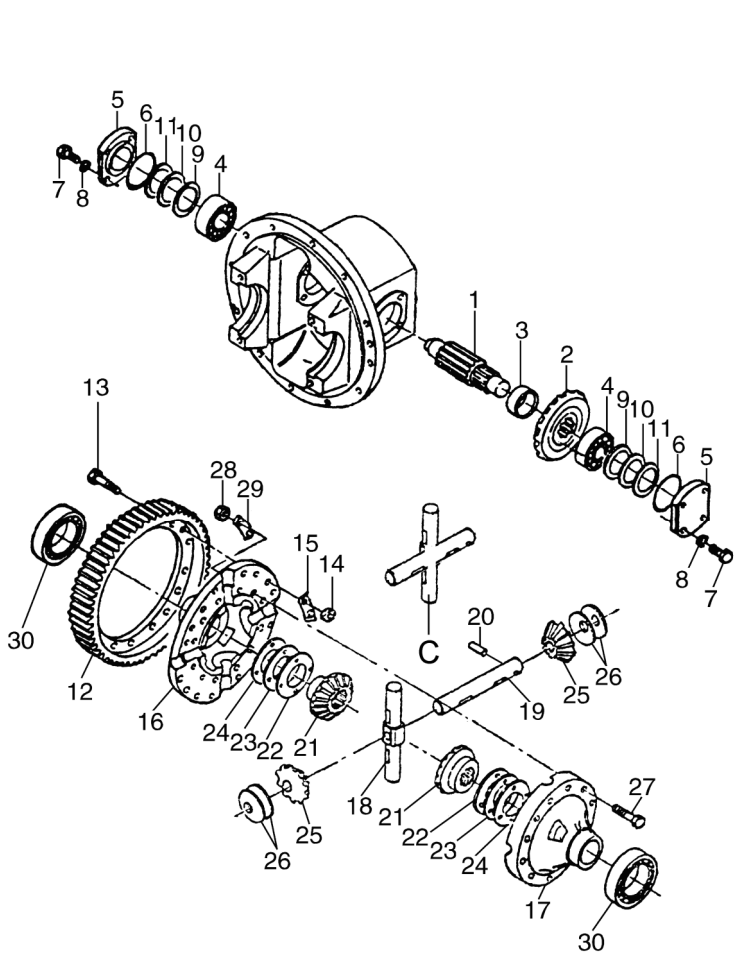


图 22 减速器和差速器 (中南)
Fig.22 Reduction & differential (ZhongNan)

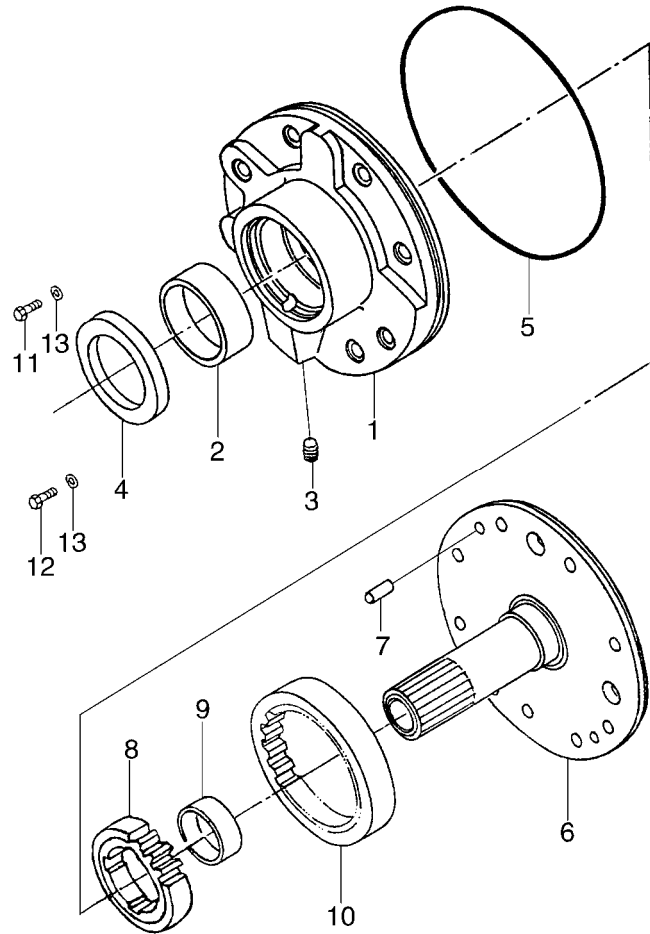
1.0t-3.5t
全部车型 All models of truck



序号 Item	物料码 Part No.	名称 Description	数量 Qty	备注或适用车型 Remarks or Serial No.
30	6213 GB/T276-94	深沟球轴承6211 Deep groove ball bearings	2	2.0t-3.5t

图 23 供油泵（液力式）中南 ZhongNan
Fig.23 Charging pump(tor-con type)

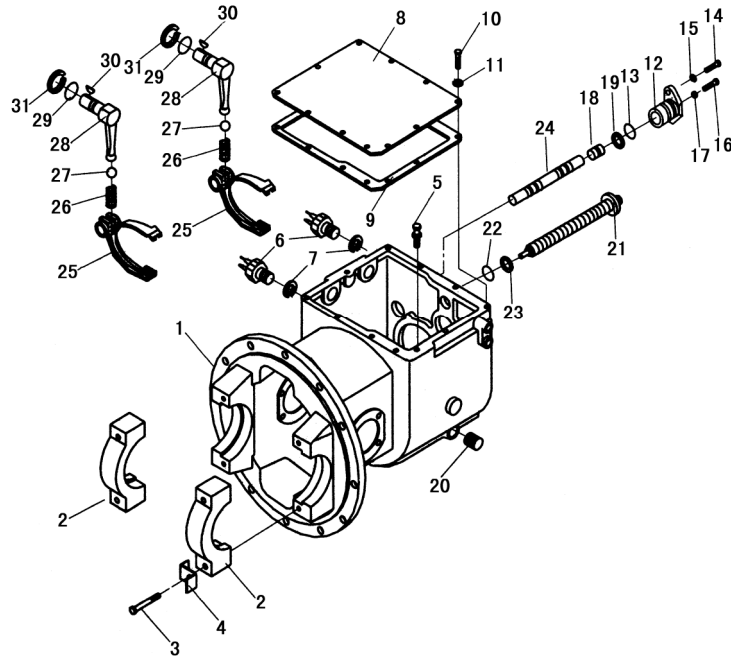
1.0t-3.5t
YQX,YQXD 系列液力传动变速箱
YQX,YQXD Series Hydrodynamic Transmission Gearbox



序号 Item	物料码 Part No.	名称 Description	数量 Qty	备注或适用车型 Remarks or Serial No.
A1	YDS30.906	供油泵总成 Charging pump assy	1	见图 18 序号 5 See Fig.18 Item5
1	YDS30.091	泵壳 Case,pump	1	
2	YDS30.092	衬套 Bushing	1	
3	YDS30.102	堵头 Plug	1	
4	AH2847R	油封 B50×68×8 Seal,oil B50×68×8	1	
5	145×3.55G GB3452.1-92	O 形圈 145×3.55G O-ring 145×3.55G	1	
6	YDS30.095	导轮座 Support,starter	1	
7	GB119-86-B8×16	圆柱销 B8×16 Pin,paraller	1	
8	YDS30.096	主动齿轮 Gear, drive	1	
9	YDS30.097	衬套 Bushing	1	
10	YDS30.098	被动齿轮 Gear,driven	1	
11	GB/T 5783-2000-M8×25 -10.9	螺栓 M8×25 Bolt M8×25	1	
12	GB/T 5783-2000-M8×35 -10.9	螺栓 M8×35 Bolt M8×35	1	
13	8-JB982-77	组合密封垫圈 Combined sealing washer	2	

图 24 变速器(机械式 其 1)中柴 ZhongChai
Fig.24 Transmission(clutch type part-1)

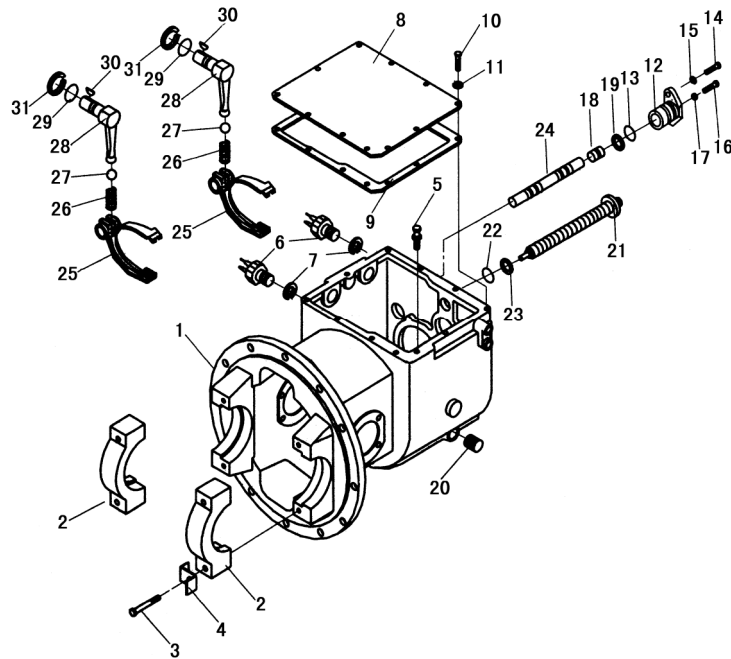
1.0t-3.5t
机械变速箱 Mechanical Transmission



序号 Item	物料码 Part No.	名称 Description	数量 Qty	备注 Remarks
1	JDS25-01001	机械箱体 Case,transmission	1	1.0t-1.8t <2013-01-01
1	J30H-01001	机械箱体 Case,transmission	1	2.0t-3.5t <2013-01-01
1	JDS37-01001	机械箱体 Case,transmission	1	3.8t <2013-01-01
1	JDS25-01001A	机械箱体 Case,transmission	1	1.0t-1.8t ≥2013-01-01
1	J30H-01001A	机械箱体 Case,transmission	1	2.0t-3.5t ≥2013-01-01
1	JDS37-01001A	机械箱体 Case,transmission	1	3.8t ≥2013-01-01
2	YQX25-01002	轴承座 Cap, bearing	2	1.0t-1.8t
2	Y30H-01002	轴承座 Cap, bearing	2	3.0t-3.8t
3	Y30H-01010	轴承座螺栓 Bolt	4	
4	Y30H-01008	轴承座锁片 Plate, lock	4	
5	J30H-01100	通气塞总成 Air breather	1	≥2013-01-01 数量 Qty:2
6	J30H-01004	倒车灯开关 Switch, back-lamp	1	≥2013-01-01 数量 Qty:2
7	Y30H-07009	倒车灯衬垫 Seal ring	1	
8	J30H-01002A	箱盖 Cover, Case	1	
9	J30H-01003	箱盖衬垫 Gasket, Case cover	1	

图 24 变速器(机械式 其 1)中柴 ZhongChai
Fig.24 Transmission(clutch type part-1)

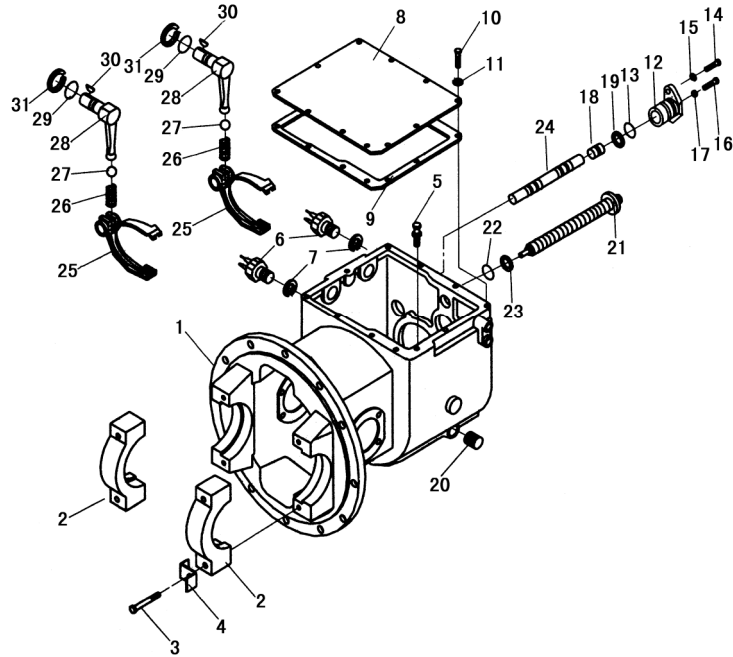
1.0t-3.5t
机械变速箱 Mechanical Transmission



序号 Item	物料码 Part No.	名称 Description	数量 Qty	备注 Remarks
10	GB5783-86-M10×16	螺栓 M10×16 Bolt M10×16	10	
11	GB93-87-10	垫圈 10 Washer lock 10	10	
12	J30H-06004	轴臂 Supporter, arm shaft	1	
13	GB1235-76-35×3.1	O 形圈 35×3.1 O-ring 35×3.1	1	
14	GB5783-86-M8×20	螺栓 M8×20 Bolt M8×20	2	
15	GB93-87-8	垫圈 8 Washer lock 8	2	
16	GB5783-86-M10×45	螺栓 M10×45 Bolt M10×45	1	
17	GB6170-86-M10	螺母 M10 Nut M10	1	
18	J30H-06005	塞 Plug	1	
19	GB1235-76-20×2.4	O 形圈 20×2.4 O-ring 20×2.4	1	
20	Q/ZB285.4-77- ZG1/2	螺塞 ZG1/2" Plug	1	
21	J30H-02005	滑动螺栓\ Bolt, slide	1	
22	GB1235-76-28×3.5	O 形圈 28×3.5 O-ring 28×3.5	1	
23	J30H-02006	外齿弹性垫圈 Washer	1	
24	J30H-06003	换挡杆 Rod, shift	1	

图 24 变速器(机械式 其 1)中柴 ZhongChai
Fig.24 Transmission(clutch type part-1)

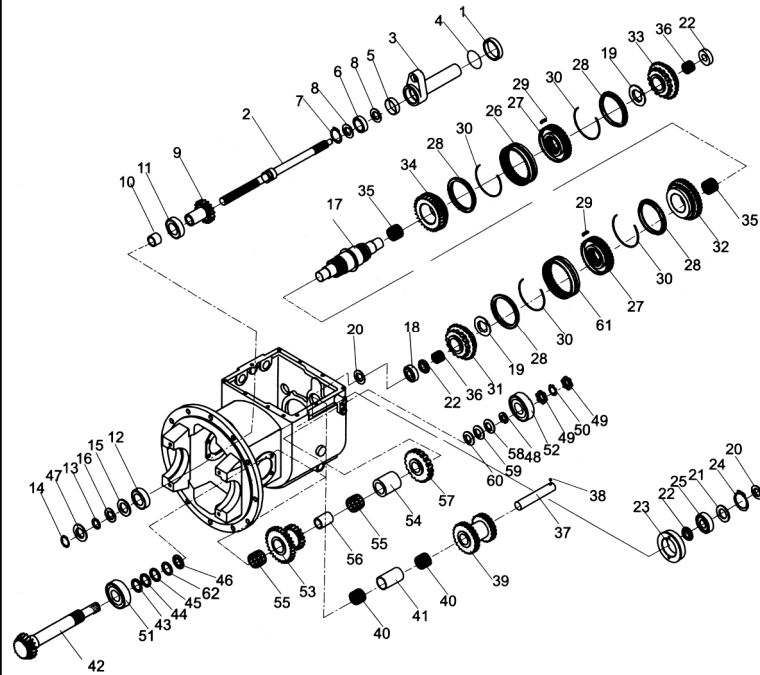
1.0t-3.5t
机械变速箱 Mechanical Transmission



序号 Item	物料码 Part No.	名称 Description	数量 Qty	备注 Remarks
25	J30H-06002	换档拨叉 Fork, shift	2	
26	J30H-06006	拨叉弹簧 Spring	2	
27	GB308-89-10.000G200b	钢球 10.000G200b Ball, steel	2	
28	J30H-06001	转动杆 Lever, shift	2	
29	GB1235-76-22×2.4	O 形圈 22×2.4 O-ring 22×2.4	2	
30	GB1099-79-5×19	半圆键 5×19 Key, woodruff	2	
31	GB894.1-86-22	轴用弹性挡圈 22 Snap ring 22	2	

图 25 变速器(机械式 其 2)中柴 ZhongChai
Fig.25 Transmission(clutch type part-2)

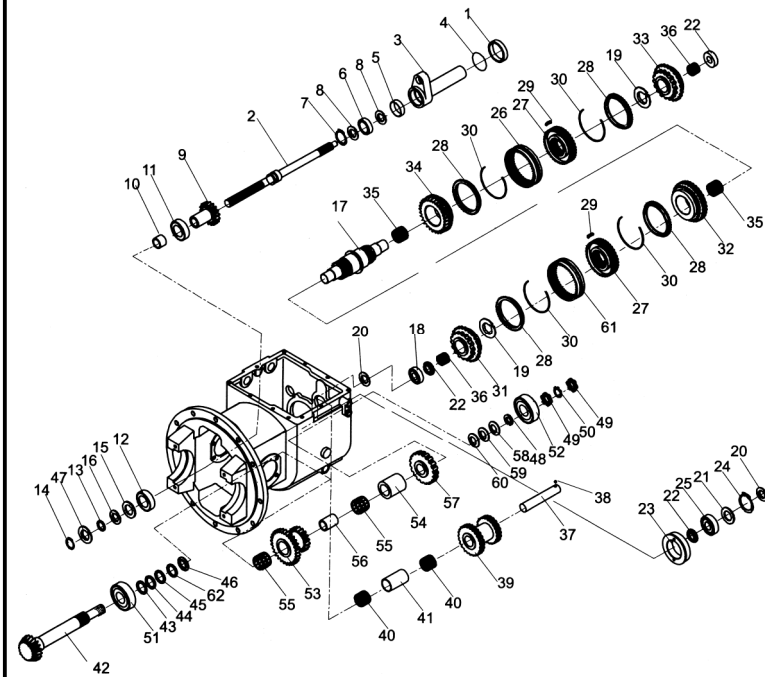
1.0t-3.8t
机械变速箱 Mechanical Transmission



序号 Item	物料码 Part No.	名称 Description	数量 Qty	备注 Remarks
1	J30H-02004	轴环 Collar	1	
2	J30H-02001	主动轴 Shaft, main drive	1	
3	J30H-02003	轴承架 Retainer, bearing	1	
4	GB1235-76-42×3.5	O 形圈 42×3.5 O-ring 42×3.5	1	
5	J30H-02008	油封 Seal, oil	1	
6	GB276-94-6005	球轴承 6005 Bearing ball	1	
7	GB893.1-86-47	弹性挡圈 47 Snap ring 47	1	
8	GB894.1-86-25	弹性挡圈 25 Snap ring 25	2	
9	J30H-02002	输入齿轮 Gear, input	1	
10	J30H-02009	隔套 Spacer	1	
11	G276-94-6207	球轴承 6207 Bearing ball 6207	1	
12	GB276-94-6207N	球轴承 6207N Bearing ball 6207N	1	
13	J30H-02010	输入隔圈 Spacer	1	
14	GB894.1-86-35	弹性挡圈 35 Snap ring 35	1	
15	GB/T305-98-72/78.6	止动环 72/78.6 Bearing ball	1	

图 25 变速器(机械式 其 2)中柴 ZhongChai
Fig.25 Transmission(clutch type part-2)

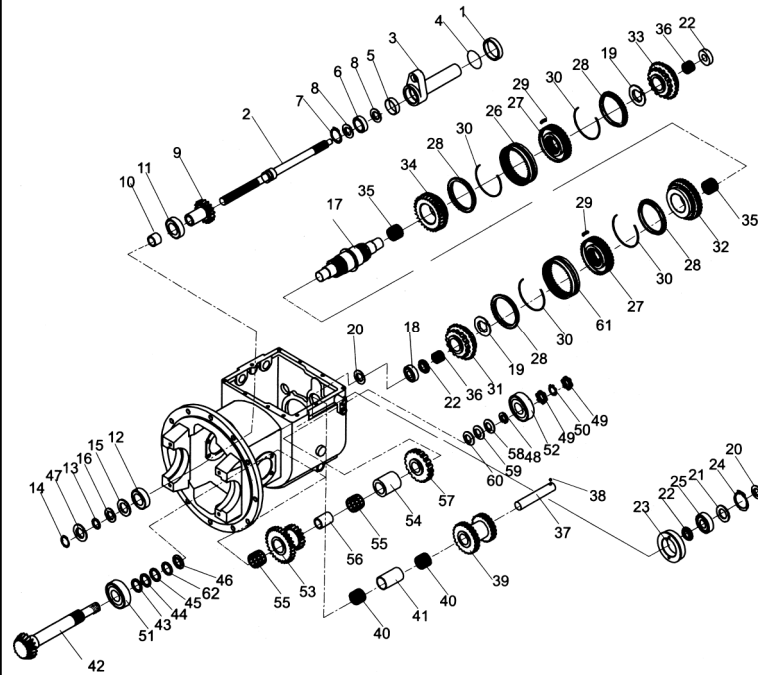
1.0t-3.8t
机械变速箱 Mechanical Transmission



序号 Item	物料码 Part No.	名称 Description	数量 Qty	备注 Remarks
16	J30H-02007	轴承垫圈 Spacer	1	
17	J30H-03002	主轴 Shaft, main	1	
18	GB283-94-NJ306E	轴承 NJ306E Bearing ball NJ306E	1	
19	J30H-03009	卡环 Snap ring	2	
20	GB894.1-86-30	弹性挡圈 30 Snap ring 30	2	
21	J30H-03007	主轴隔圈 Spacer	1	
22	J30H-03010	止推摩擦片 Plate, thrust	2	
23	J30H-03001	轴承保持圈 Retainer, bearing	1	
24	GB893.1-86-72	弹性挡圈 72 Snap ring 72	1	
25	GB276-94-6306	球轴承 6306 Bearing ball	1	
26	J30H-03102	进退档同步器齿套 Sleeve	1	
27	J30H-03101	同步器齿毂 Hub, clutch	2	
28	J30H-03008	同步器齿环 Ring block	4	
29	J30H-03103	同步器滑块 Insert	6	
30	J30H-03104	同步器弹簧 Spring	4	

图 25 变速器(机械式 其 2)中柴 ZhongChai
Fig.25 Transmission(clutch type part-2)

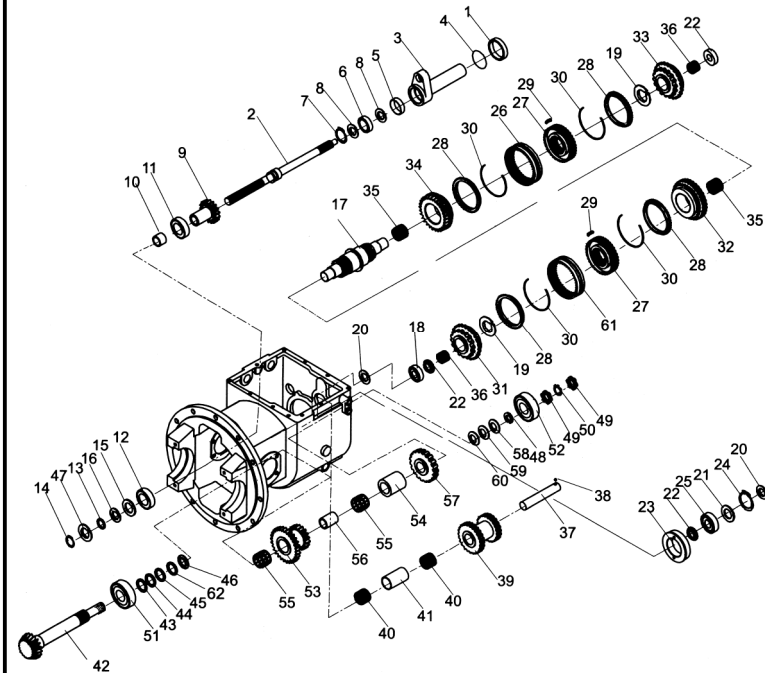
1.0t-3.8t
机械变速箱 Mechanical Transmission



序号 Item	物料码 Part No.	名称 Description	数量 Qty	备注 Remarks
31	J30H-03005	高速齿轮 Gear, high speed	1	1.0t-3.5t
31	JDS37-03005	高速齿轮 Gear, high speed	1	3.8t
32	J30H-03006	低速齿轮 Gear, low speed	1	
33	J30H-03003	前进档齿轮 Gear, forward	1	1.0t-3.5t
33	JDS37-03003	前进档齿轮 Gear, forward	1	3.8t
34	J30H-03004	倒档齿轮 Gear, reverse	1	
35	JB/T7918-97-K56×61×30	轴承 K56×61×30 Bearing needle	2	
36	JB/T7918-97-K35×40×27	轴承 K35×40×27 Bearing needle	2	
37	J30H-05001	惰轮轴 Shaft, reverse idler	1	
38	GB308-89	钢球 6.35 Ball, steel	1	
39	J30H-05002	惰轮 Gear, reverse, idler	1	1.0t-3.5t
39	JDS37-05002	惰轮 Gear, reverse, idler	1	3.8t
40	JB/T7918-97-K25×33×24	轴承 K25×33×24 Bearing needle	2	
41	J30H-05003	惰轮轴衬套 Spacer	1	
42	JDS18-04001	输出轴 Shaft, out put	1	1.0t-1.8t

图 25 变速器(机械式 其 2)中柴 ZhongChai
Fig.25 Transmission(clutch type part-2)

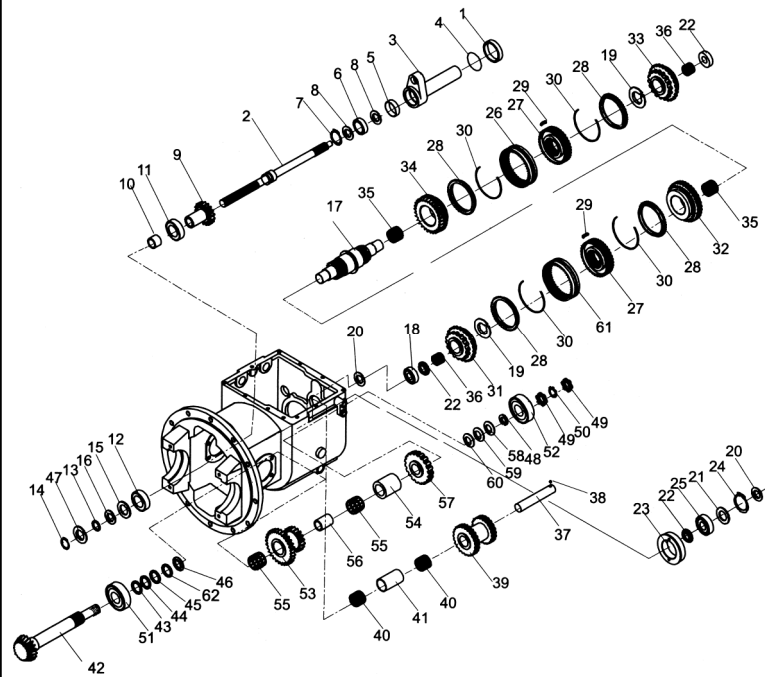
1.0t-3.8t
机械变速箱 Mechanical Transmission



序号 Item	物料码 Part No.	名称 Description	数量 Qty	备注 Remarks
42	JDS25-04001	输出轴 Shaft, out put	1	A 系列无此零件 A Series no part NO.
42	J30H-04001	输出轴 Shaft, out put	1	2.0t-3.5t
43	J30H-04009	输出轴垫片 Shim	AR	包含 INC: 44、45
46	J30H-04008	止推垫圈 Plate, thrust	1	
47	GB893.1-86-80	弹性挡圈 80 Snap ring 80	1	
48	J30H-04007	弹簧垫圈 Spring washer	1	
49	J30H-04011	防松螺母 Nut	1	
50	已取消	件 49 改结构, 数量减一		
51	GB297-94-32208	轴承 32208 Bearing taper roller	1	
52	GB297-94-32305	轴承 32305 Bearing taper roller	1	
53	J30H-04004	双联齿轮 Gear, cluster	1	1.0t-3.5t
53	JDS37-04004	双联齿轮 Gear, cluster	1	3.8t
54	J30H-04003	输出轴衬套(I) Spacer	1	
55	JB/T7918-97-K35×40×27	轴承 K35×40×27 Bearing needle	2	
56	J30H-04005	输出轴衬套(II) Spacer	1	

图 25 变速器(机械式 其 2)中柴 ZhongChai
 Fig.25 Transmission(clutch type part-2)

1.0t-3.8t
 机械变速箱 Mechanical Transmission



序号 Item	物料码 Part No.	名称 Description	数量 Qty	备注 Remarks
57	J30H-04002	输出齿轮 Gear, out put	1	1.0t-3.5t
57	JDS37-04002	输出齿轮 Gear, out put	1	3.8t
58	J30H-04006	止推板 (选用) Plate, thrust	1	包含/INC:59、60
61	J30H-03201	高低速档同步器齿套 Sleeve	1	

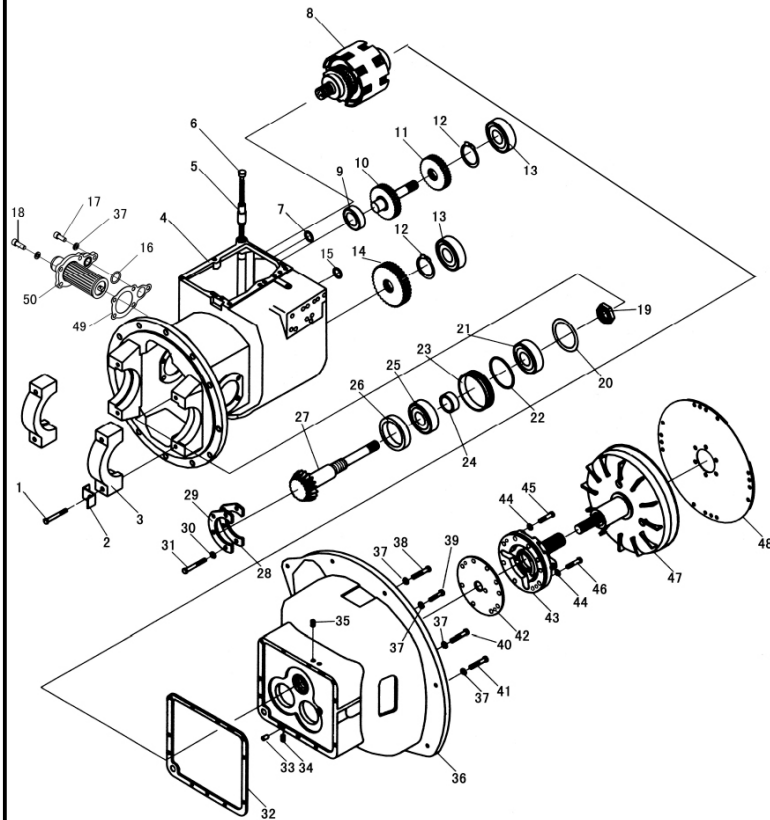
图 26 变速箱(液力式) (1)中柴 ZhongChai
Fig.26 Transmission(tor-con type) (1)

1.0t-3.8t
液力传动变速箱 Hydrodynamic Transmission

序号 Item	物料码 Part No.	名称 Description	数量 Qty	备注 Remarks
1	Y30H-01010	轴承座螺栓 Bolt	4	
2	Y30H-01008	轴承座锁片 Plate, lock	4	
3	YQX25-01001	轴承座 Cap, bearing	2	1.0t-1.8t
3	Y30H-01002	轴承座 Cap, bearing	2	2.0t-3.8t
4	YQX25-01001	液力箱体 Case, mission	1	1.0t-1.8t
4	Y30H-01001	液力箱体 Case, mission	1	2.0t-3.5t
4	YQX37-01001	液力箱体 Case, mission	1	3.8t
5	Y30H-01006	加油管 Pipe oil fill	1	将转为 Y30H-01006A
6	Y30H-01007	加油口盖 Cup	1	将转为 Y30H-01007A
7	GB1235-76-15×2.4	O 形圈 15×2.4 O-ring 15×2.4	2	
8	YQX18-02000	液力离合器总成 Hydraulic Clutch assy	1	1.0t-1.8t
8	Y30H-02000-1	液力离合器总成 Hydraulic Clutch assy	1	2.0t-3.5t
8	Y30H-02000-2	液力离合器总成 Hydraulic Clutch assy	1	3.8t
9	GB276-94-6206	轴承 6206 Bearing 6206	1	
10	Y30H-04001	惰轮轴 Shaft, idler	1	1.0t-3.5t

图 26 变速箱(液力式) (1)中柴 ZhongChai
Fig.26 Transmission(tor-con type) (1)

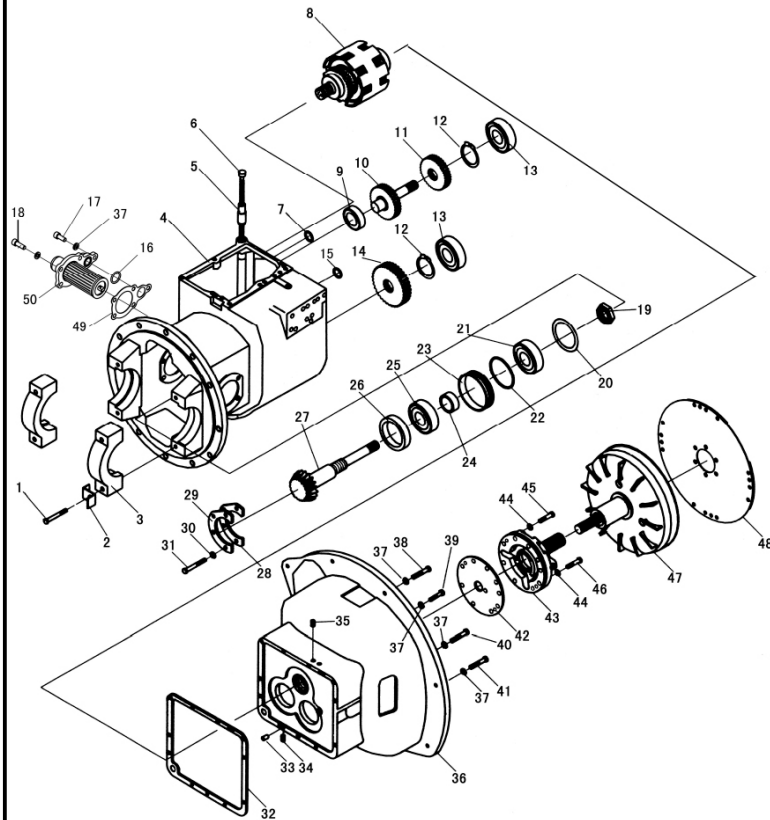
1.0t-3.8t
液力传动变速箱 Hydrodynamic Transmission



序号 Item	物料码 Part No.	名称 Description	数量 Qty	备注 Remarks
10	YQX37-04001	惰轮轴 Shaft, idler	1	3.8t
11	Y30H-04002	惰轮 Gear, idler	1	1.0t-3.5t
11	YQX37-04002	惰轮 Gear, idler	1	3.8t
12	GB893.1-86-24	孔用挡圈 24 Snap, ring	2	
13	GB276-94-6207	轴承 6207 Bearing 6207	2	
14	Y30H-03002	输出齿轮 Gear, output	1	1.0t-3.5t
14	YQX37-03002	输出齿轮 Gear, output	1	3.8t
15	GB1235-76-24×2.4	O 形圈 24×2.4 O-ring 24×2.4	1	
16	GB1235-76-28×2.4	O 形圈 28×2.4 O-ring 28×2.4	1	
17	GB/T70.1-30208	螺钉 M10×20 Screw M10×20	1	
18	GB/T70.1- M10×30	螺钉 M10×30 Screw M10×30	4	
19	Y30H-03009	防松螺母 Nut	1	
20	Y30H-03006	液力输出轴垫片 Shim	AR	
21	GB297-94-30208	轴承 30208 Bearing 30208	1	
22	GB1235-76-80×3.1	O 形圈 80×3.1 O-ring 80×3.1	1	

图 26 变速箱(液力式) (1)中柴 ZhongChai
Fig.26 Transmission(tor-con type) (1)

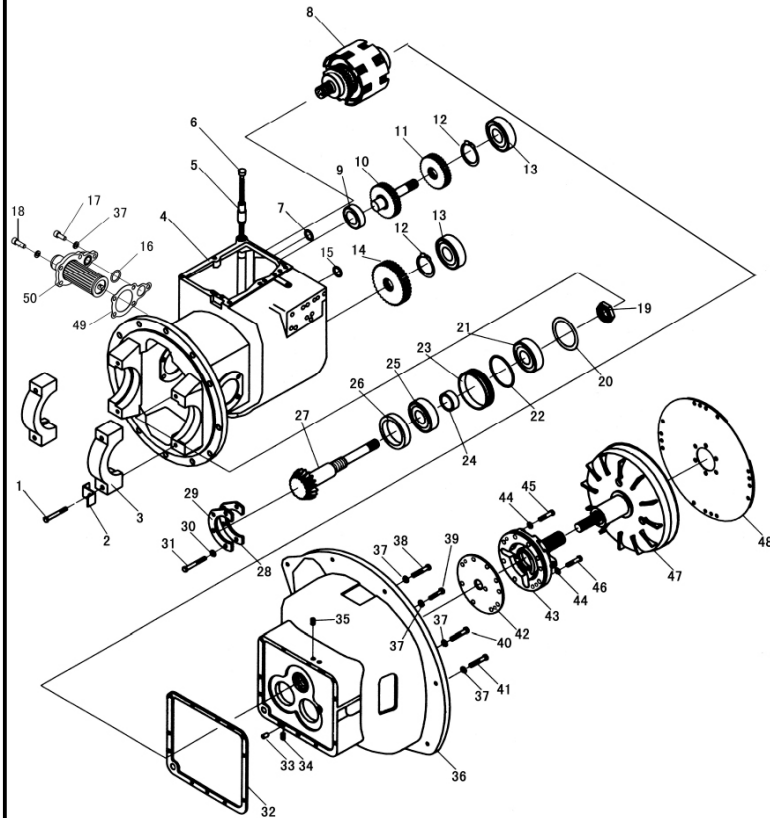
1.0t-3.8t
液力传动变速箱 Hydrodynamic Transmission



序号 Item	物料码 Part No.	名称 Description	数量 Qty	备注 Remarks
23	Y30H-03003	油封保持架 Retainer, oil seal	1	
24	Y30H-03007	油封 Seal, oil	1	
25	GB297-94-32208	轴承 32208 Bearing 32208	1	
26	Y30H-03008	轴环 Collar	1	
27	YQX18-03001	输出轴 Shaft, output	1	1.0t-1.8t
27	YQX25-03001	输出轴 Shaft, output	1	A 系列无此零件 A Series no part NO.
27	Y30H-03001	输出轴 Shaft, output	1	2.0t-3.5t
27	Y30H-03001A	输出轴 Shaft, output	1	3.8t
28	Y30H-03005	支承片垫片 Shim	AR	
29	Y30H-03004	支承片 Plate, bearing support	1	
30	GB93-87-8	垫圈 8 Washer 8	4	
31	GB5783-86- M8×20	螺栓 M8×20 Bolt M8×20	4	
32	Y30H-01004A	变矩器壳衬垫 Gasket	1	
33	GB119-76- A12×20	销 A12×20 Pin A12×20	2	
34	JB/ZQ4446-R1/2	螺塞 R1/2 Plug R1/2	5	

图 26 变速箱(液力式) (1)中柴 ZhongChai
Fig.26 Transmission(tor-con type) (1)

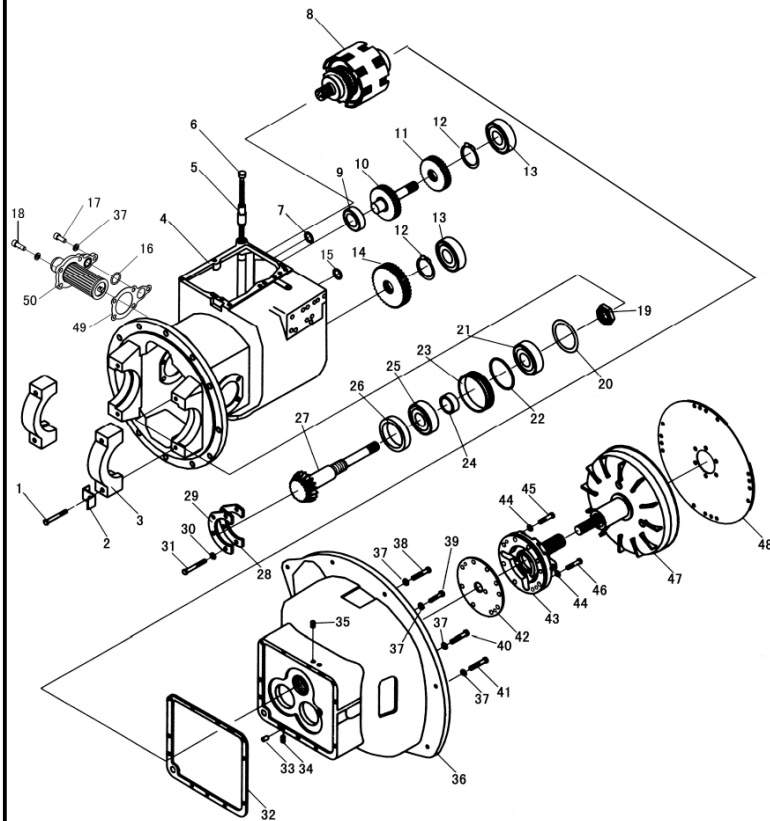
1.0t-3.8t
液力传动变速箱 Hydrodynamic Transmission



序号 Item	物料码 Part No.	名称 Description	数量 Qty	备注 Remarks
35	JB/ZQ4446-R1/4	螺塞 R1/4 Plug R1/4	3	
36	Y30H-01003	变矩器壳 Case, tor-con	1	剩余车型 Remaining models
36	Y30H-01003-1	变矩器壳 Case, tor-con	1	配进口发动机 Imported engine (除外/ except 4G64 三菱 /Mitsubishis)
36	Y30H-01003-2	变矩器壳 Case, tor-con	1	4G64 三菱发动机 Mitsubishis engine
36	Y30H-01003J	变矩器壳 Case, tor-con	1	(W7 发动机/engine) 配宝亿(白杨)汽油机
37	GB93-87-10	垫圈 10 Washer 10	15	
38	GB5782-86-M10×75	螺栓 M10×75 Bolt M10×75	1	
39	GB5783-86-M10×30	螺栓 M10×30 Bolt M10×30	4	
40	GB5782-86-M10×50	螺栓 M10×50 Bolt M10×50	1	
41	GB5782-86-M10×55	螺栓 M10×55 Bolt M10×55	3	
42	Y30H-05002	供油泵衬垫 Gasket	1	
43	Y30H-05000	供油泵总成 Charging pump assy	1	1.0t-3.5t
43	YQX37-05000	供油泵总成 Charging pump assy	1	3.8t
44	Y30H-07007	螺栓衬垫 Gasket	6	

图 26 变速箱(液力式) (1)中柴 ZhongChai
Fig.26 Transmission(tor-con type) (1)

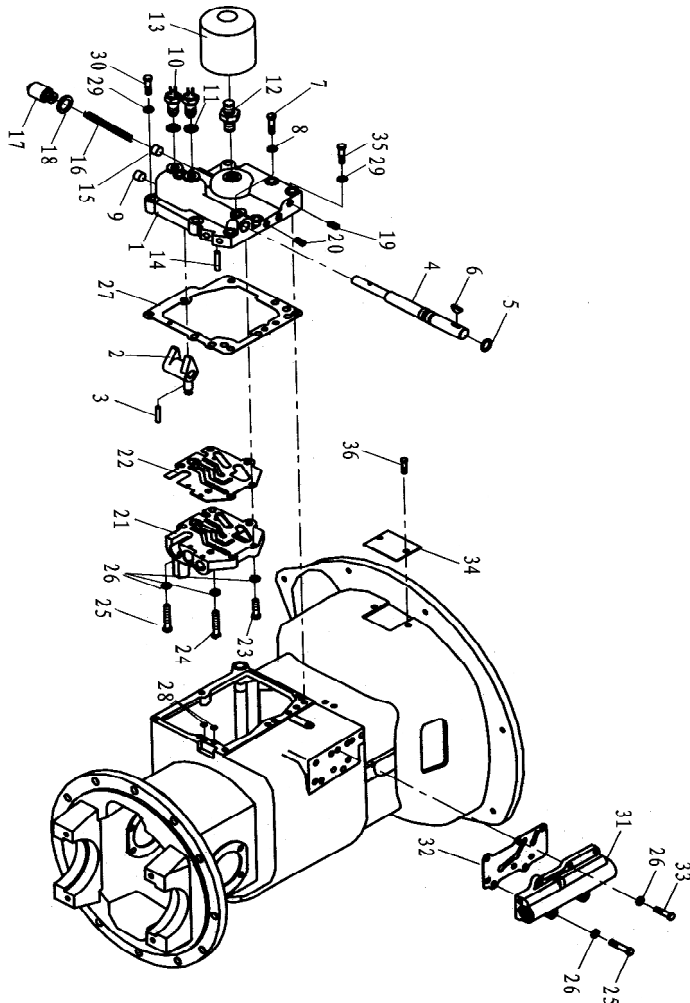
1.0t-3.8t
液力传动变速箱 Hydrodynamic Transmission



序号 Item	物料码 Part No.	名称 Description	数量 Qty	备注 Remarks
45	GB5783-86- M8×35	螺栓 M8×35 Bolt M8×35	2	
46	GB5783-86-M8×45	螺栓 M8×45 Bolt M8×45	4	
47	Y30H-06100	变矩器组件 Tor-con assy	1	1.0t-3.5t
47	YQX37-06100	变矩器组件 Tor-con assy	1	3.8t
48	Y30H-06200	输入板组件 Plate	1	G26,G2,G32,G31,W27 发动机/engine
48	Y30H-06200-1	输入板组件 Plate	1	W10,W13,W7 发动机/engine 配进口发动机, 配宝亿(白杨)汽油机
49	Y30H-01013	粗滤器衬垫 Strainer spacer	1	
50	Y30H-01100	外置粗滤器总成 Outlay strainer assiy	1	

图 27 变速箱(液力式) (2)中柴 ZhongChai
Fig.27 Transmission(tor-con type) (2)

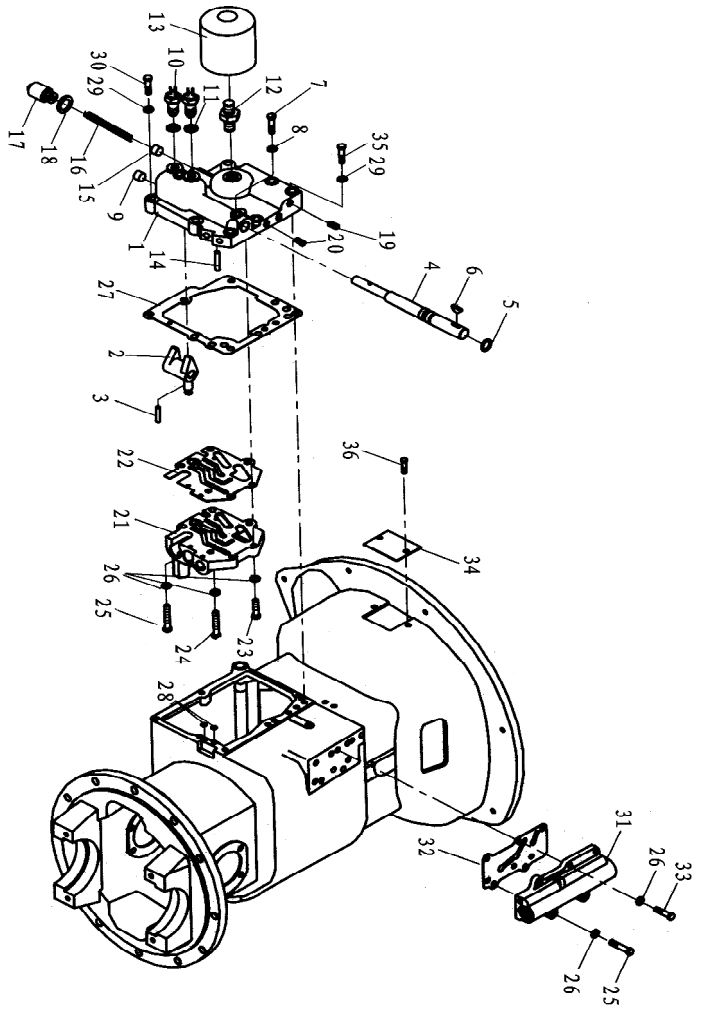
1.0t-3.8t
液力传动变速箱 Hydrodynamic Transmission



序号 Item	物料码 Part No.	名称 Description	数量 Qty	备注 Remarks
1	Y30H-07001	壳体盖 Cover, case	1	
2	Y30H-07004	变速臂 Arm, shift	1	
3	GB879-76-6×32	销 6×32 Pin 6×32	1	
4	Y30H-07003	变速臂轴 Shaft, shift arm	1	
5	GB1235-76-20×2.4	O 形圈 20×2.4 O-ring 20×2.4	1	
6	GB1099-79-5×19	半圆键 5×19 Key, woodruff 5×19	1	
7	Y30H-07006	螺栓 Bolt	1	
8	Y30H-07007	螺栓衬垫 Shim	1	
9	Y30H-07005	塞子 Plug	1	
10	J30H-01004	倒车灯开关 Switch	2	
11	Y30H-07009	倒车灯衬垫 Shim	2	
12	Y30H-07002	管接头 Nipple	1	
13	Y30H-07010	滤油器 (II) Filter, oil	1	
14	GB879-76-4×26	弹性活塞销 4×26 Pin 4×26	1	
15	Y30H-07014	活塞 Piston	1	1.0t-3.5t

图 27 变速箱(液力式) (2)中柴 ZhongChai
Fig.27 Transmission(tor-con type) (2)

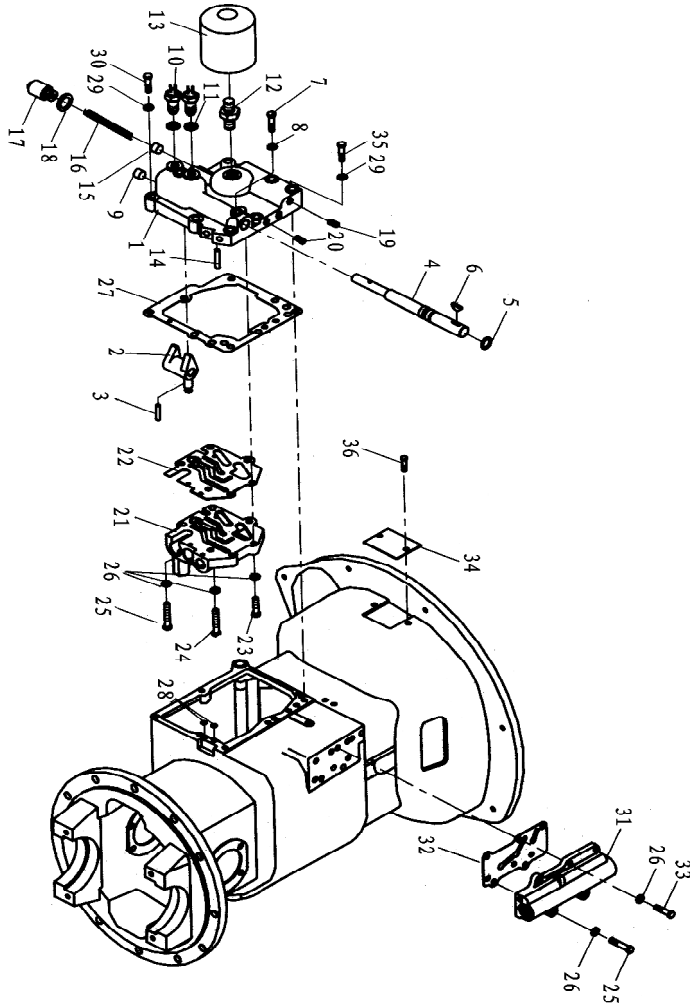
1.0t-3.8t
液力传动变速箱 Hydrodynamic Transmission



序号 Item	物料码 Part No.	名称 Description	数量 Qty	备注 Remarks
15	YQX37-07014	活塞 Piston	1	3.8t
16	Y30H-07013	弹簧 Spring	1	1.0t-3.5t
16	YQX37-07013	弹簧 Spring	1	3.8t
17	Y30H-07011	安全阀盖 Cup	1	1.0t-3.5t
17	YQX37-07011	安全阀盖 Cup	1	3.8t
18	Y30H-07012	安全阀衬垫 Packing, copper	1	
19	Q/ZB285.4-77-ZG1/8	螺塞 ZG1/8" Plug	4	
20	Q/ZB285.4-77-ZG1/4	螺塞 ZG1/4" Plug	6	
21	Y30H-07100	控制阀总成 Control ,Assy	1	
22	Y30H-07016	控制阀衬垫 Gasket	1	
23	GB5783-86-M8×35	螺栓 M8×35 Bolt M8×35	2	
24	GB5782-86-M8×55	螺栓 M8×55 Bolt M8×55	2	
25	GB5782-86-M8×50	螺栓 M8×50 Bolt M8×50	4	
26	GB93-87-8	垫圈 8 Shim 8	11	
27	Y30H-07015	壳体盖衬垫 Gasket	1	

图 27 变速箱(液力式) (2)中柴 ZhongChai
 Fig.27 Transmission(tor-con type) (2)

1.0t-3.8t
 液力传动变速箱 Hydrodynamic Transmission



序号 Item	物料码 Part No.	名称 Description	数量 Qty	备注 Remarks
28	GB1235-76-9×1.9	O 形圈 9×1.9 O-ring 9×1.9	2	
29	GB93-87-10	垫圈 10 Shim 10	8	
30	GB5783-86-M10×55	螺栓 M10×55 Bolt M10×55	2	
31	Y30H-08000	微动阀总成 Inching value assy	1	
32	Y30H-08010	微动阀衬垫 Shim	1	
33	GB5783-86- M8×25	螺栓 M8×25 Bolt M8×25	3	
34	Y30H-01005A	变矩器壳盖 Cover, tor-con	1	
35	GB5783-86-M10×40	螺栓 M10×40 Bolt M10×40	6	
36	GB818-85(A)-M8×10	螺钉 M8×10 Bolt M8×10	2	

图 28 液力离合器总成, 中柴
Fig.28 Hydraulic Clutch assy, ZhongChai

1.0t-3.8t
液力传动变速箱 Hydrodynamic Transmission

序号 Item	物料码 Part No.	名称 Description	数量 Qty	备注 Remarks
A1	YQX18-02000	液力离合器总成 Hydraulic Clutch assy	1	1.0t-1.8t
A2	Y30H-02000-1	液力离合器总成 Hydraulic Clutch assy	1	2.0t-3.5t
A3	Y30H-02000-2	液力离合器总成 Hydraulic Clutch assy	1	3.8t
1	Y30H-02100-1	输入轴总成 Shift, input	1	1.0t-3.5t
1	Y30H-02100-2	输入轴总成 Shift, input	1	3.8t
2	Y30H-02002	倒车档齿轮 Gear, reverse	1	
3	Y30H-02001	前进档齿轮 Gear, forward	1	
4	YQX18-02012-1	端板 Plate, end	2	
4	Y30H-02012	端板 Plate, end	2	
5	Y30H-02003	回程弹簧 Spring, return	2	
6	Y30H-02004	弹簧座 Seat, spring	2	
7	Y30H-02005	止推环 A Ring, restrain	2	
8	Y30H-02006	止推环 B Ring, restrain	2	
9	Y30H-02201	活塞 Piston	2	
10	Y30H-02202	塞 Plug	2	

图 28 液力离合器总成, 中柴
Fig.28 Hydraulic Clutch assy, ZhongChai

1.0t-3.8t
液力传动变速箱 Hydrodynamic Transmission

序号 Item	物料码 Part No.	名称 Description	数量 Qty	备注 Remarks
11	GB308-89-1/8	钢球 1/8" Steel Ball	2	
12	Y30H-02007	摩擦片 Plate, friction	8	1.0t-1.8t 数量 Qty:6
12	Y30H-02007A	摩擦片 Plate, friction	10	3.8t
13	Y30H-02008	隔片 Plate, separator	8	1.0t-1.8t 数量 Qty:6
13	Y30H-02008A	隔片 Plate, separator	10	3.8t
14	Y30H-02009	密封环 A Ring, seal	4	
15	Y30H-02010	密封环 B Ring, seal	2	
16	GB1235-76-40×3.5	O 形圈 40×3.5 O-ring 40×3.5	2	
17	Y30H-02011A	卡环 Snap, ring	2	
18	GB276-94-6206	轴承 6206 Bearing 6206	2	
19	JB/T7918-97- K35×42 ×20	滚针轴承 K35×42×20 Bearing, needle	2	
20	GB894.1-86-40	挡圈 40 Bearing, needle	2	
21	GB78-85- M8×8	螺钉 M8×8 Screw M8×8	2	
22	YQX18-02013	蝶形弹簧 Disc spring	2	1.0t-1.8t

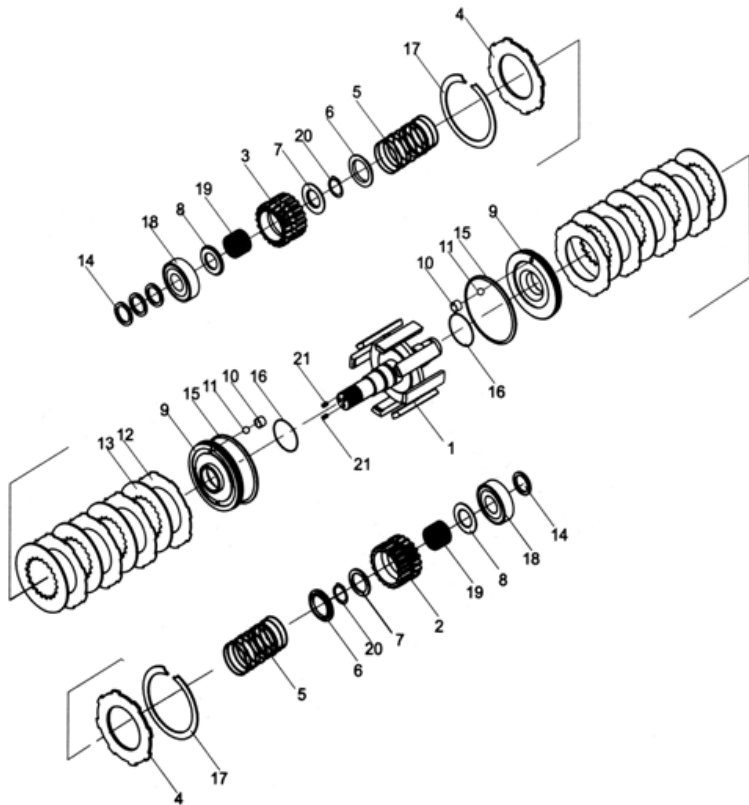
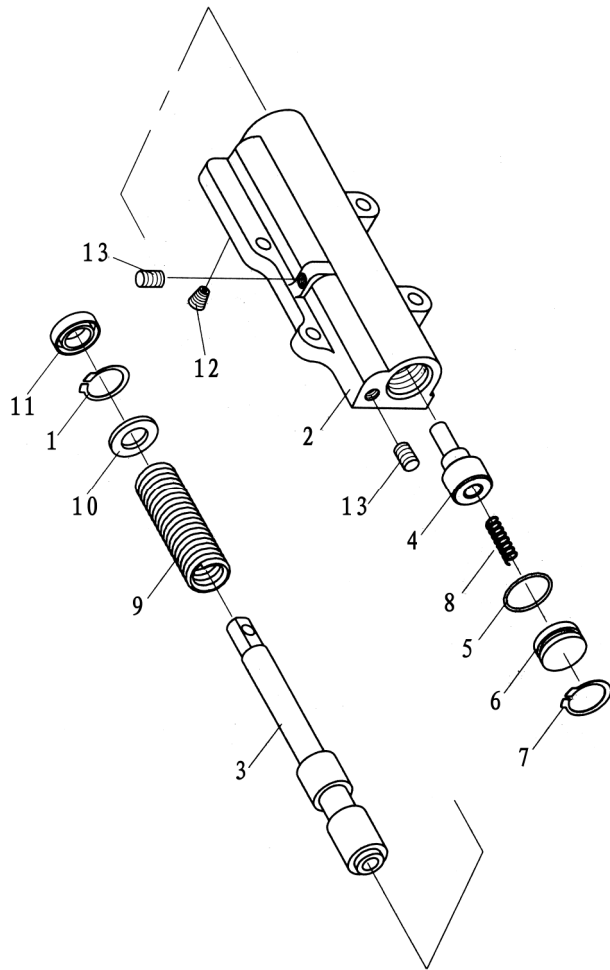


图 29 微动阀, 中柴
Fig.29 Inching valve, ZhongChai

1.0t-3.8t
液力传动变速箱 Hydrodynamic Transmission



序号 Item	物料码 Part No.	名称 Description	数量 Qty	备注 Remarks
A1	Y30H-08000	微动阀总成 Inching valve	1	包含/INC:1-13
1	GB893.1-86-30	挡圈 30 Snap, ring 30	1	
2	Y30H-08001	阀体 Body, valve	1	
3	Y30H-08002	阀杆 Spool	1	
4	Y30H-08003	滑阀 Plunger	1	
5	GB1235-76-28×2.65	O 形圈 28×2.65 O-ring 28×2.65	1	
6	Y30H-08004	油堵 Seal, Oil	1	
7	GB893.1-86	挡圈 28 Snap, ring	1	
8	Y30H-08006	微动弹簧 (II) Spring	1	
9	Y30H-08005	微动弹簧 (I) Spring	1	
10	Y30H-08007	堵块 Spacer	1	
11	Y30H-08008	油封 $\phi 30 \times \phi 16 \times 7$ Seal, oil	1	
12	Y30H-08009	油塞 Plug, choke	1	
13	GB/T7306-2000-ZG1/8	螺塞 ZG1/8" Plug	2	

图 30 控制阀, 中柴
Fig.30 Control valve, ZhongChai

1.0t-3.8t
液力传动变速箱 Hydrodynamic Transmission

序号 Item	物料码 Part No.	名称 Description	数量 Qty	备注 Remarks
A1	Y30H-07000	控制阀总成 Control valve	1	1.0t-3.5t
A1	YQX37-07000	控制阀总成 Control valve	1	3.8t
A2	Y30H-07100	控制阀 Control valve	1	1.0t-3.5t
A2	YQX37-07100	控制阀 Control valve	1	3.8t
1	Y30H-07101	阀体 Body, valve	1	
2	Y30H-07102	滑阀 Spool	1	
3	Y30H-07103	油塞 Plug	1	
4	Y30H-07104	弹簧 Spring	1	
5	GB308-89-13/32"	钢球 13/32" Steel Ball	1	
6	Y30H-07105	活塞 Piston	1	1.0t-3.5t
6	YQX37-07105	活塞 Piston	1	3.8t
7	Y30H-07106	弹簧 Spring	1	1.0t-3.5t
7	YQX37-07106	弹簧 Spring	1	3.8t
8	Y30H-07107	弹簧 Spring	1	1.0t-3.5t
8	YQX37-07107	弹簧 Spring	1	3.8t

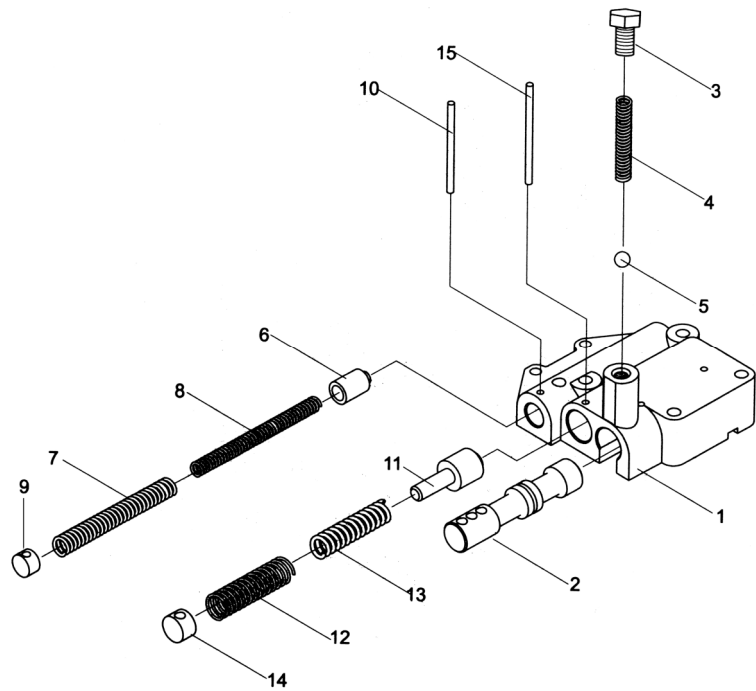


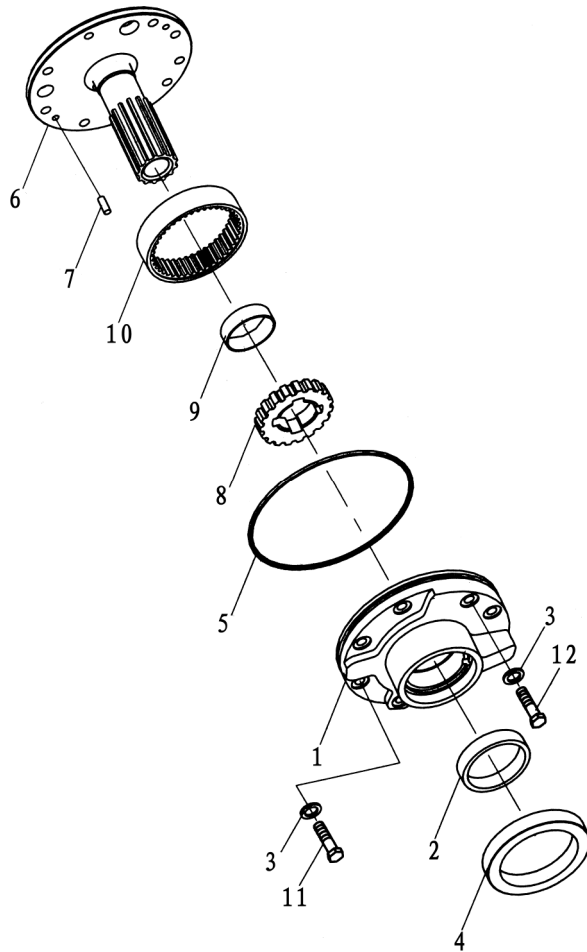
图 30 控制阀, 中柴
Fig.30 Control valve, ZhongChai

1.0t-3.8t
液力传动变速箱 Hydrodynamic Transmission

序号 Item	物料码 Part No.	名称 Description	数量 Qty	备注 Remarks
9	Y30H-07108	塞 Plug	1	
10	GB879-86-4×35	销 4×35 Pin 4×35	1	
11	Y30H-07109	阀芯 Spool	1	
12	Y30H-07110	弹簧 Spring	1	
13	Y30H-07111	弹簧 Spring	1	
14	Y30H-07112	塞 Plug	1	
15	GB879-86-4×40	销 4×40 Pin 4×40	1	

图 31 供油泵, 中柴
Fig.31 Oil pump, ZhongChai

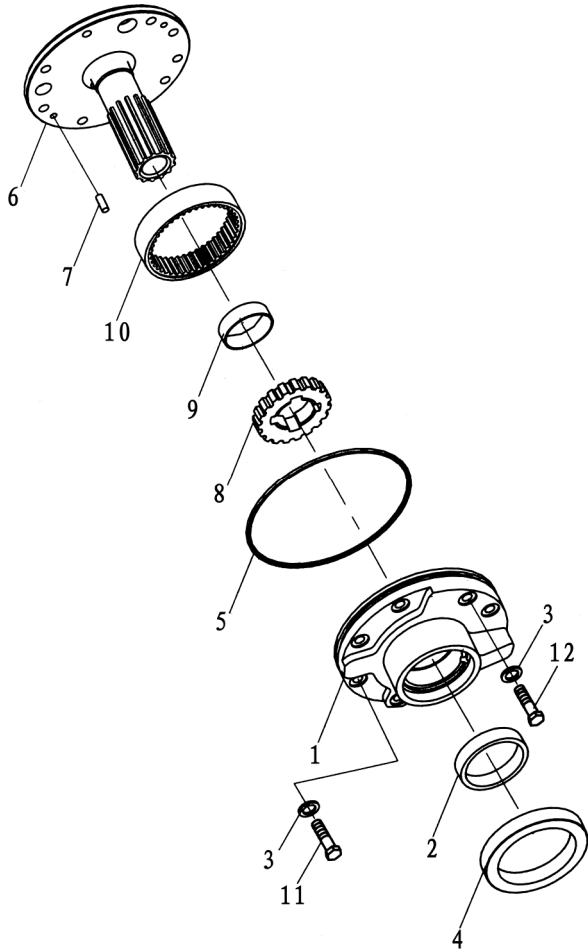
1.0t-3.8t
液力传动变速箱 Hydrodynamic Transmission



序号 Item	物料码 Part No.	名称 Description	数量 Qty	备注 Remarks
A	Y30H-05000	供油泵总成 Oil pump	1	1.0t-3.5t
A	YQX37-05000	供油泵总成 Oil pump	1	3.8t
1	Y30H-05101	泵体 Case, pump	1	1.0t-3.5t
1	YQX37-05101	泵体 Case, pump	1	3.8t
2	Y30H-05102	衬套 Bushing	1	
3	Y30H-07007	螺栓衬垫 Washer	2	
4	Y30H-05004	油封 Seal, oil	1	
5	Y30H-05005	O 形密封圈 Snap O-ring	1	145*3.55 GB/T3452.1
6	Y30H-05001	锭子 Support, starter	1	
7	GB119-86-B6×16	圆柱销 B6×16 Pin B6×16	2	
8	Y30H-05201	主动齿轮 Gear, drive	1	1.0t-3.5t
8	YQX37-05201	主动齿轮 Gear, drive	1	3.8t
9	Y30H-05202	衬套 Bushing	1	1.0t-3.5t
9	YQX37-05202	衬套 Bushing	1	3.8t
10	Y30H-05003	被动齿轮 Gear, driven	1	1.0t-3.5t

图 31 供油泵, 中柴
Fig.31 Oil pump, ZhongChai

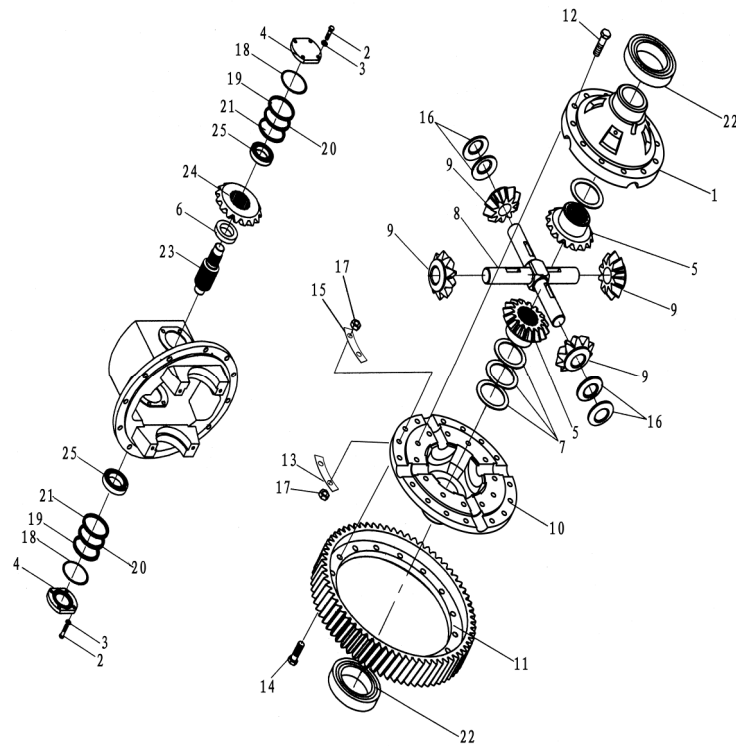
1.0t-3.8t
液力传动变速箱 Hydrodynamic Transmission



序号 Item	物料码 Part No.	名称 Description	数量 Qty	备注 Remarks
10	YQX37-05003	被动齿轮 Gear, driven	1	3.8t
11	GB5783-86-M8×25	螺栓 M8×25 Bolt M8×25	1	
12	GB5783-86-M8×35	螺栓 M8×35 Bolt M8×35	1	

图 32 减速传动和差速器部分
Fig.32 Reduction gear and Differential part
中柴 ZhongChai

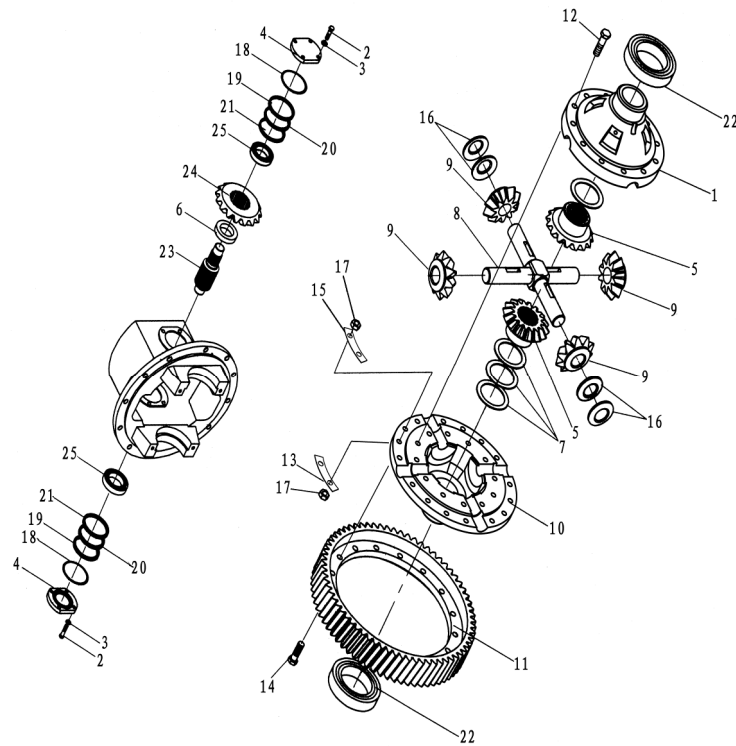
1.0t-3.8t
全部车型 All models of truck



序号 Item	物料码 Part No.	名称 Description	数量 Qty	备注 Remarks
1	YQX25-10001	左差速器壳\ Case, cross L.H	1	1.0t-1.8t
1	Y30H-10002	左差速器壳 Case, cross L.H	1	2.0t-3.8t
2	GB5783-86-M10×25	螺栓 M10×25 Bolt M10×25	8	
3	GB93-87-M10×25	弹簧垫圈 10 Washer 10	8	
4	Y30H-09001	轴承盖 Cover, bearing	2	
5	YQX25-10007	半轴齿轮 Gear, side	2	1.0t-1.8t
5	Y30H-10007	半轴齿轮 Gear, side	2	2.0t-3.8t
6	Y30H-09004	齿轴衬套 Spacer	1	
7	YQX25-10006	半轴垫圈 (选用) Washer	2	1.0t-1.8t
7	Y30H-10006	半轴垫圈 (选用) Washer	2	2.0t-3.8t
8	YQX25-10003	十字轴 Shaft	1	1.0t-1.8t
8	Y30H-10003	十字轴 Shaft	1	2.0t-3.8t
9	YQX25-10005	行星齿轮 Gear, pinion	4	1.0t-1.8t
9	Y30H-10005	行星齿轮 Gear, pinion	4	2.0t-3.8t
10	YQX25-10002	右差速器壳 Case, cross R.H	1	1.0t-1.8t

图 32 减速传动和差速器部分
 Fig.32 Reduction gear and Differential part
 中柴 ZhongChai

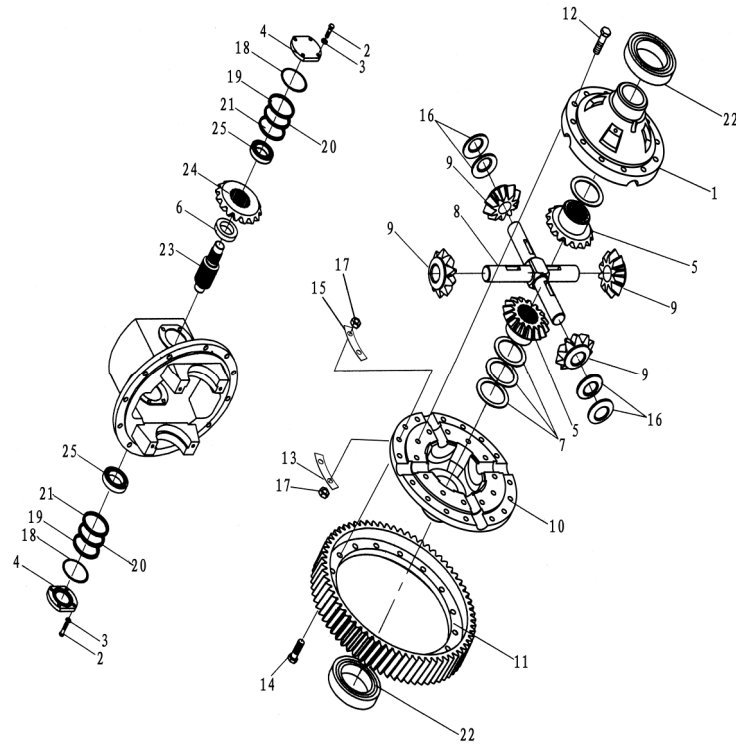
1.0t-3.8t
 全部车型 All models of truck



序号 Item	物料码 Part No.	名称 Description	数量 Qty	备注 Remarks
10	Y30H-10001	右差速器壳 Case, cross R.H	1	2.0t-3.8t
11	YQX25-10010	齿圈 Gear, ring	1	1.0t-1.8t
11	Y30H-10012	齿圈 Gear, ring	1	2.0t-3.8t
12	Y30H-10008A	差壳螺栓 Bolt	12	2.0t-3.8t
13	YQX25-10009	齿圈锁片 Washer ,lock	6	1.0t-1.8t
13	Y30H-10011	齿圈锁片 Washer ,lock	8	2.0t-3.8t
14	YQX25-10008A	齿圈螺栓 Bolt	12	1.0t-1.8t
14	Y30H-10010A	齿圈螺栓 Bolt	16	2.0t-3.8t
15	Y30H-10009	差壳锁片 Washer, lock	6	2.0t-3.8t
16	YQX25-10004	行星垫圈 Washer, thrust	4	1.0t-1.8t
16	Y30H-10004	行星垫圈 Washer, thrust	4	2.0t-3.8t
17	GB6171-86-M10×1.25	螺母 M10×1.25 Nut M10×1.25	28	1.0t-1.8t 数量 Qty:12
18	GB1235-76-75×3.1	O 形圈 75×3.1 O-ring 75×3.1	2	
19	Y30H-09002	齿轴垫片 Shim	按需 AR	
22	GB276-94-6211	深沟球轴承 6211 Bearing	2	1.0t-1.8t

图 32 减速传动和差速器部分
Fig.32 Reduction gear and Differential part
中柴 ZhongChai

1.0t-3.8t
全部车型 All models of truck



序号 Item	物料码 Part No.	名称 Description	数量 Qty	备注 Remarks
22	GB276-94-6213	深沟球轴承 6213 Bearing	2	2.0t-3.8t
23	YQX2509003	齿轴 Shaft, gear	1	1.0t-1.8t
23	Y30H-09003	齿轴 Shaft, gear	1	2.0t-3.8t
24	YQX18-09005	螺旋伞齿轮 Gear, spiral bevel	1	1.0t-1.8t
24	YQX25-09005	螺旋伞齿轮 Gear, spiral bevel	1	A 系列无此零件 A Series no part NO.
24	Y30H-09005	螺旋伞齿轮 Gear, spiral bevel	1	2.0t-3.8t
25	GB297-94-32207	圆锥滚子轴承 32207 Bearing	2	

图 33 变速器(机械式 其 1) 赣州 GanZhou
Fig.33 Transmission(clutch type part-1)

2.0t-3.5t
JDS 系列机械变速箱 JDS Series Mechanical Gearbox

序号 Item	物料码 Part No.	名称 Description	数量 Qty	备注或适用车型 Remarks or Serial No.
1	GB1235-76-20×2.5	O 形密封圈 20×2.4 O-ring 20×2.4	2	
2	Q6140A	放油螺塞 Outoil Plug	1	
3	GB93-87-10	弹簧垫圈 10 Washer lock 10	10	
4	GB5783-86-M10×20	螺栓 M10×16 Bolt M10×16	10	
5	GB1235-76-28×3.5	O 形密封圈 28×3.5 O-ring	1	
6	10113-40541	齿形弹簧垫圈 Washer	1	
7	11153-40041	螺杆 Bolt,slide	1	
8	865901A	通气塞总成 Air breather	1	
9	12003-42451	纸垫 Paper pad	2	
10	12003-42461	倒车灯开关 Switch,back-lamp	2	
11	JCMFVG18CA-002	高低档换挡拨叉 Fork,shift	1	
12	12493-42112	拨叉 Fork,shift	1	
13	12003-42421	弹簧 Spring	2	
14	GB308-89-10.000	钢球 10.0000 G2006 Ball,steel	2	
15	12003-42521	换挡拨杆 Lever,shift	2	

图 33 变速器(机械式 其 1) 赣州 GanZhou
Fig.33 Transmission(clutch type part-1)

2.0t-3.5t
JDS 系列机械变速箱 JDS Series Mechanical Gearbox

序号 Item	物料码 Part No.	名称 Description	数量 Qty	备注或适用车型 Remarks or Serial No.
16	GB1099-79-5×19	半圆键 5×19 Key,woodruf 5×19	2	
17	GB1235-76-22×2.4	O 形圈 22×2.4 O-ring 22×2.4	2	
18	GB894.1-86-22	轴用弹性挡圈 22 Snap ring 22	2	
19	15573-42102a	移动轴 Rod,shift	1	
20	12003-42061	柱塞 Plug	1	
21	GB1235-76-35×3.1	O 形密封圈 35×3.1 O-ring 35×3.1	1	
22	12003-42052	移动轴支座 Supporter,arm shaft	1	
23	GB6170-86-M10	螺母 M10 Nut M10	1	
24	GB5783-86-M10×45	螺栓 M10×45 Bolt M10×45	1	
25	GB93-87-8	弹簧垫圈 8 Washer lock 8	2	
26	GB5783-86-M8×20	螺栓 M8×20 Bolt M8×20	2	
27	12003-42031	密封垫片 Gasket,case cover	1	
28	12003-42021	箱盖 Cover,case	1	

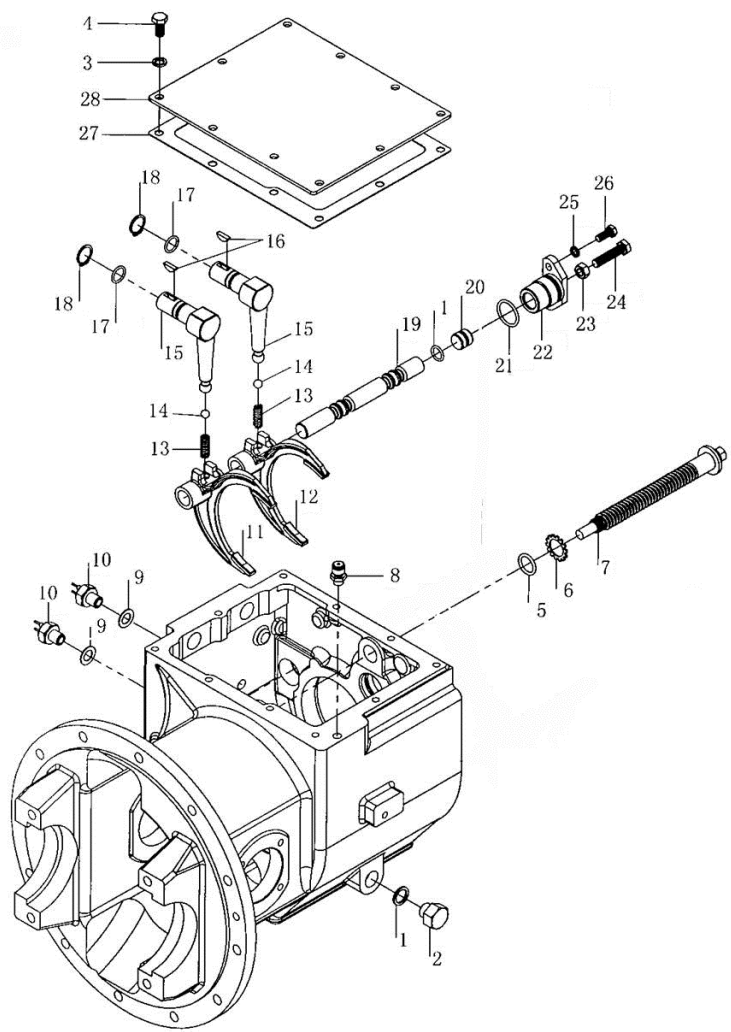
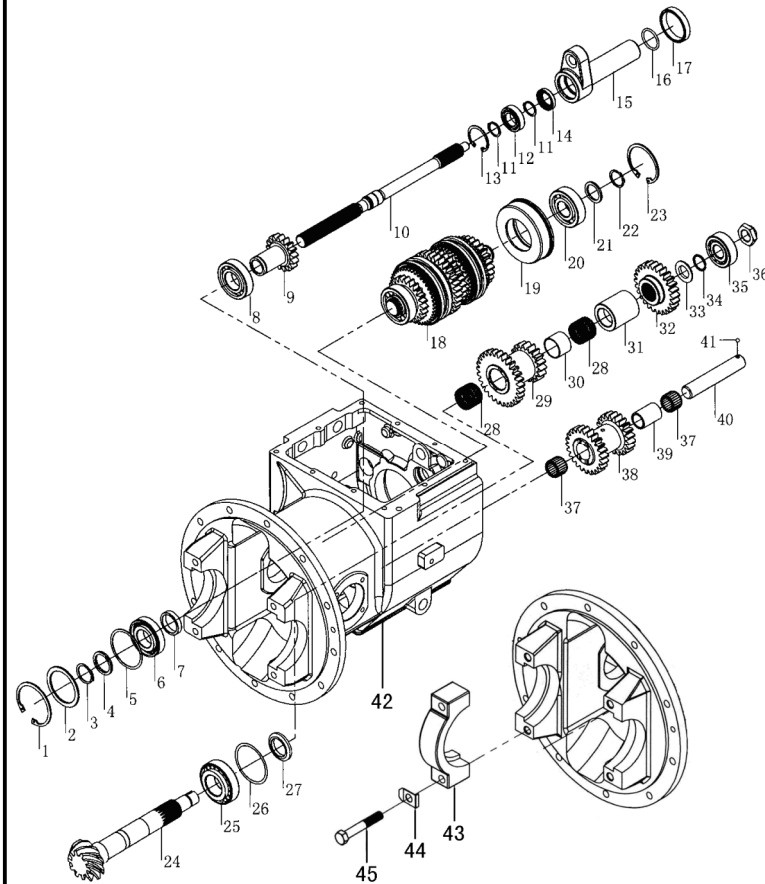


图 34 变速器(机械式 其 2) 赣州 GanZhou
Fig.34 Transmission(clutch type part-2)

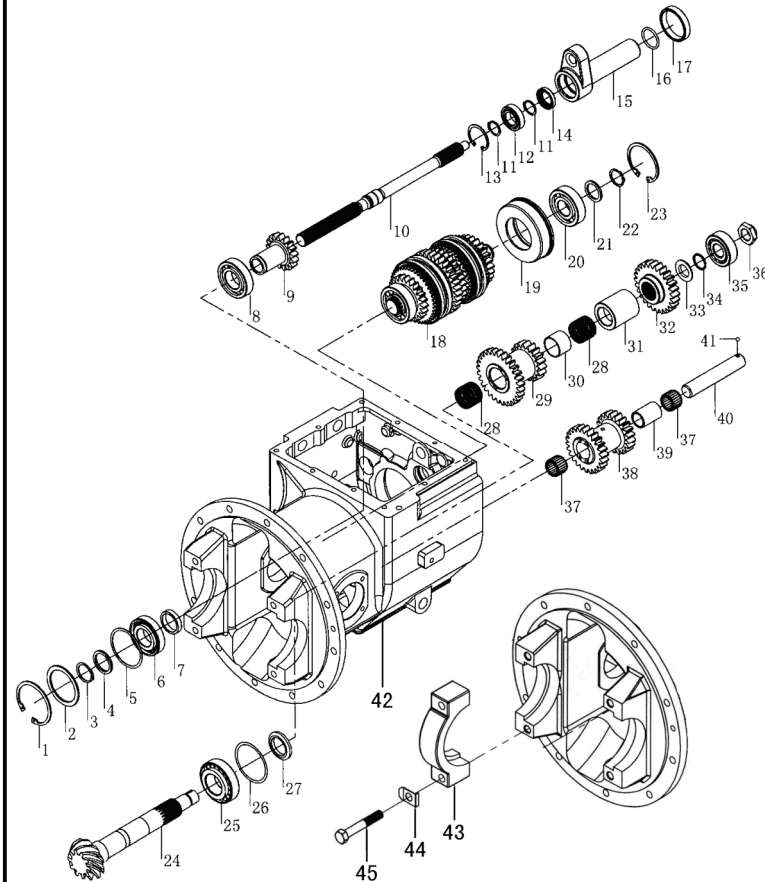
2.0t-3.5t
JDS 系列机械变速箱 JDS Series Mechanical Gearbox



序号 Item	物料码 Part No.	名称 Description	数量 Qty	备注或适用车型 Remarks or Serial No.
1	GB893.1-86-80	孔用弹性挡圈 80 Snap ring 80	1	
2	10113-40171	轴承外圈垫片 Spacer	1	
3	GB894.1-86-35	轴用弹性挡圈 35 Snap ring 35	1	
4	10113-40521	轴承内圈垫片 Spacer	1	
5	GB305-89-72	轴承外圆止动环 72 Ring,thrust	1	
6	GB276-94-6207N	轴承 6207N bearing	1	
7	10113-40161	轴承隔套 Spacer	1	
8	GB276-94-6207	轴承 6207 bearings	1	
9	12003-42111	输入齿轮 Gear,input	1	
10	12003-42081	输入轴 Shaft, input	1	
11	GB894.1-86-25	轴用弹性挡圈 25 Snap ring	2	
12	GB276-94-6005	轴承 6005 bearing	1	
13	GB893.2-86-47	孔用弹性挡圈 47 Snap ring	1	
14	HG4-692-67	油封 25×40×8 Seal,oil	1	
15	12003-42102	输入轴承座 Retainer,bearing	1	

图 34 变速器(机械式 其 2) 赣州 GanZhou
Fig.34 Transmission(clutch type part-2)

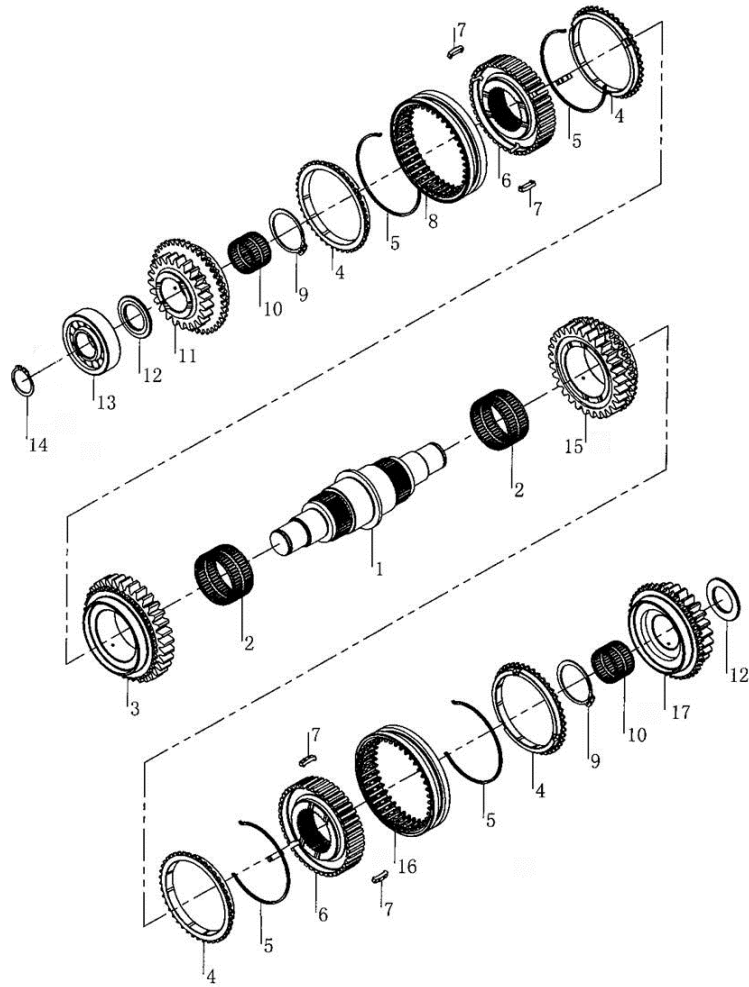
2.0t-3.5t
JDS 系列机械变速箱 JDS Series Mechanical Gearbox



序号 Item	物料码 Part No.	名称 Description	数量 Qty	备注或适用车型 Remarks or Serial No.
16	GB1235-76-42×3.5	O 形密封圈 42×3.5 O-ring	1	
17	12003-42471	定位座圈 Collar	1	
18	12493-41000	主轴总成 Spindle assy	1	见图 33 See Fig. 33
19	12003-42142	轴承座 Retainer, bearing	1	
20	GB276-94-6306	轴承 6306 bearing	1	
21	12003-42481	轴承内圈垫片 Spacer	1	
22	GB894.1-86-30	轴用弹性挡圈 30 Snap ring	1	
23	GB893.2-86-72	孔用弹性挡圈 72 Snap ring	1	
24	14453-42001	输出轴 Shaft,output	1	
25	GB297-94-32208	轴承 32208 bearing	1	
26	12003-42311 (t=0.5)	垫片δ=0.5 Shim	按需 Need d	
	12003-42321 (t=0.2)	垫片δ=0.2 Shim		
	12003-42331 (t=0.1)	垫片δ=0.1 Shim		
27	12003-42341a	止推板 Washer,stop	1	
28	GB5846-86-35×40×30	滚针轴承 K35×40×30ZE Bearing,needle	2	

图 35 主轴组件 (赣州)
Fig.35 Spindle assy (GanZhou)

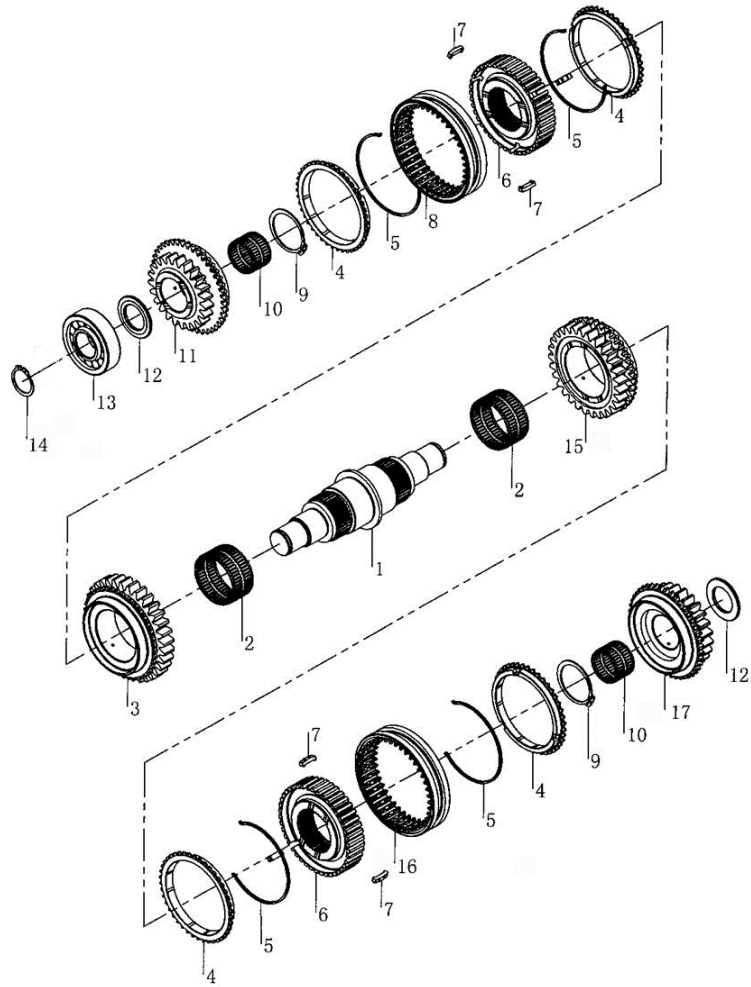
2.0t-3.5t
JDS 系列机械变速箱 JDS Series Mechanical Gearbox



序号 Item	物料码 Part No.	名称 Description	数量 Qty	备注或适用车型 Remarks or Serial No.
A1	12493-41000	主轴总成 Spindle assy	1	包含/INC:1-18
1	12493-42091	主轴 Shaft,main	1	
2	N-1701260-02A	滚针轴承 56×61×30 Bearing,needle	2	
3	12493-42071	低速齿轮 Gear,low speed	1	
4	N-1701276-00A	一二档同步器齿环 Ring,block	4	
5	N-1701273-00A	一二档同步器弹簧 Spring	4	
6	N-1701271-01A	一二档同步器齿毂 Hub,clutch	2	
7	D120-1701092	同步器滑块 Insert	6	
8	N-1701272-01A	一二档同步器齿套 Sleeve	1	
9	GB894.1-86-48	轴用弹性挡圈 48 Snap ring	2	
10	JB7918-97-35×40×27	滚针轴承 K35×40×27 Bearing,needle	2	
11	12493-42081	高速齿轮 Gear,high speed	1	
12	12493-42131	止推摩擦片 Washer,stop	2	
13	GB283-94-NJ306	轴承 NJ306 Bearing NJ306	1	
14	GB894.1-86-30	轴用弹性挡圈 30 Snap ring	1	

图 35 主轴组件 (赣州)
Fig.35 Spindle assy (GanZhou)

2.0t-3.5t
JDS 系列机械变速箱 JDS Series Mechanical Gearbox



序号 Item	物料码 Part No.	名称 Description	数量 Qty	备注或适用车型 Remarks or Serial No.
15	12493-42061	倒档齿轮 Gear,reverse	1	
16	N-1701272-01A	同步器齿套 Sleeve	1	
17	12493-42051	前进档齿轮 Gear,forward	1	

图 36 减速器和差速器 (赣州)
Fig.36 Reduction & differential (GanZhou)

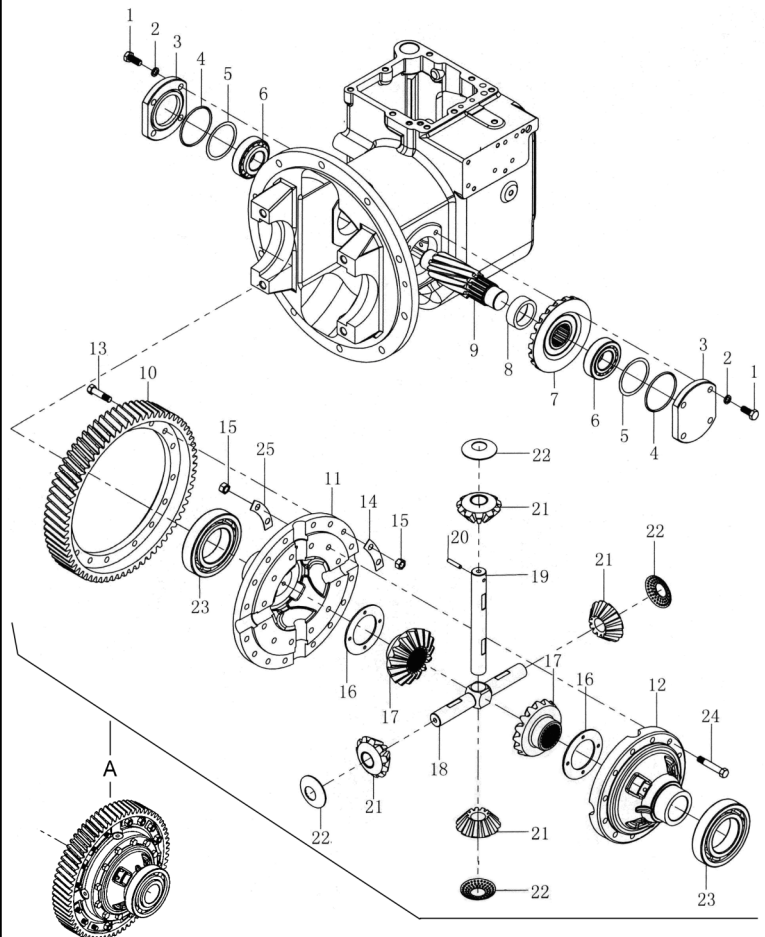
全部车型 2.0t-3.5t
All models of truck

序号 Item	物料码 Part No.	名称 Description	数量 Qty	备注或适用车型 Remarks or Serial No.
1	GB5783-86-M10×28	螺栓 M10×28 Bolt M10×28	8	
2	GB93-87-10	垫圈 10 Washer 10	8	
3	12003-22051	轴承盖 Cover,Bearing	2	
4	GB1235-76-75×3.1	O 型密封圈 75×3.1 O-ring 75×3.1	2	
5	336873	垫片组件 Shim assy	1 组	包含/INC:5-1~5-3
5-1	15413-22101($\delta=0.1$)	垫片 ($\delta=0.1$) Shim ($\delta=0.1$)	按需 Need d	
5-2	15413-22091($\delta=0.2$)	垫片 ($\delta=0.2$) Shim ($\delta=0.2$)		
5-3	15413-22081($\delta=0.5$)	垫片 ($\delta=0.5$) Shim ($\delta=0.5$)		
6	GB297-94-32207	轴承 32207 Bearing 32207	2	
7	14453-22021	螺旋伞齿轮 Spiral bevel gear	1	
8	12003-22041	隔套 Bushing	1	
9	14453-22011	减速主动齿轮轴 Shaft,Final pinion	1	
A	REF103800	减速装置 Differential assy	1	INC:10-25
10	14453-52011	环形齿轮 Gear ring	1	
11	14453-52022	十字节右外壳 Case RH, Differential Gear	1	

图 36 减速器和差速器 (赣州)
Fig.36 Reduction & differential (GanZhou)

全部车型 All models of truck
2.0t-3.5t

序号 Item	物料码 Part No.	名称 Description	数量 Qty	备注或适用车型 Remarks or Serial No.
12	14453-52032	十字节右外壳 Case LH, Differential Gear	1	
13	14453-52051	环形齿轮用螺栓 Bolt	16	
14	10113-50141	防松片 Washer,Lock	8	
15	GB6176-86-M10	螺母 M10 Nut M10	28	
16	14453-52071	垫圈 Washer	2	
17	14453-52002	半轴齿轮 Gear side	2	
18	14453-52091	行星齿轮轴 I Pinion shaft I	1	
19	14453-52101	行星齿轮轴 II Pinion shaft II	1	
20	GB119-86-B6×30	圆柱销 B6×30 Pin,Parallel B6×30	1	
21	16113-52112	行星齿轮 Planetary pinion	4	
22	16113-52121	止推垫圈 Washer,Thrust	4	
23	GB276-94-6213	轴承 6213 Bearing 6213	2	
24	14453-52041	十字节箱体螺栓 Bolt	12	
25	14453-52061	锁紧垫圈 Washer,Lock	6	



第二部分 转向系统目录

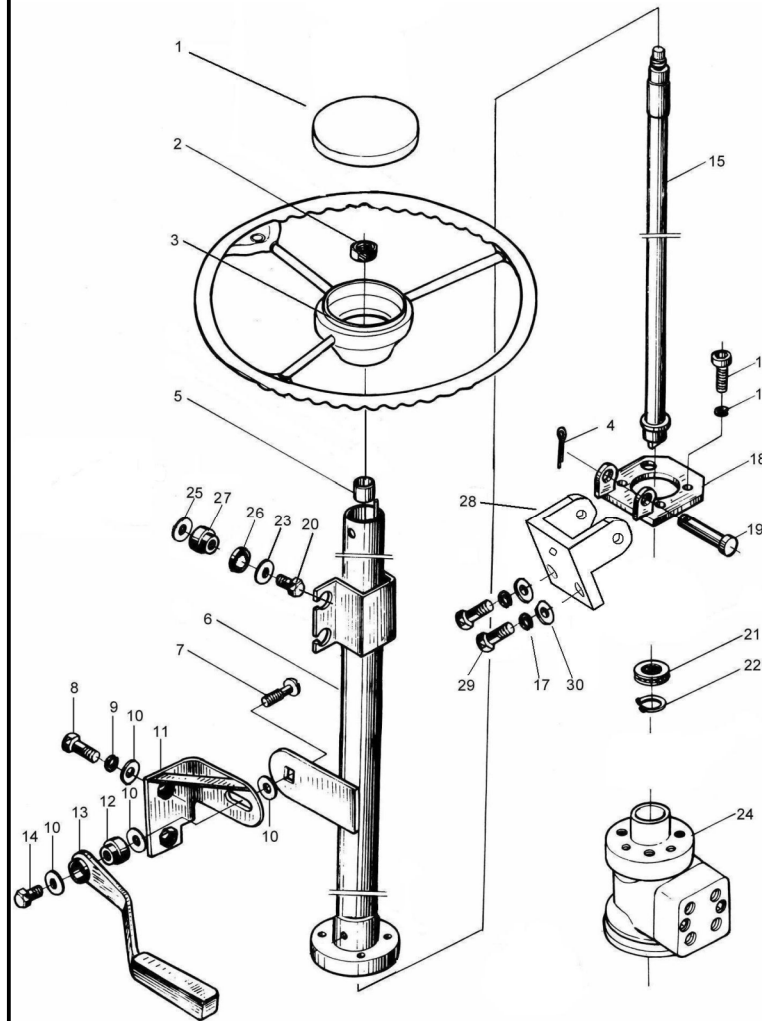
Part II Steering system contents

Ⓐ CPC30/35/38-AG2	Ⓐ ¹ CPCD30/35/38-AG2	Ⓐ ² CPC30/35-AG2-Z	Ⓐ ³ CPCD30/35/38-AG2E
Ⓑ CPC20/25-AG2	Ⓑ ¹ CPCD20/25-AG2	⑦ CPCD20/25-AW55	Ⓑ ³ CPCD20/25-AG2E
Ⓒ CPC30/35/38-AG32	Ⓒ ¹ CPCD30/35/38-AG32	Ⓒ ² CPC38-AXG32	Ⓒ ³ CPCD38-AXG32
Ⓓ CPC20/25-AG32	Ⓓ ¹ CPCD20/25-AG32	Ⓕ CPC20/25-AW10	Ⓕ ¹ CPCD20/25-AW10
Ⓔ CPC30-AW10	Ⓔ ¹ CPCD30-AW10	Ⓔ ² CPC30-AXW10	Ⓔ ³ CPCD30-AXW10
Ⓒ ³ CPC30/35/38-AW13	Ⓒ ³ ¹ CPCD30/35/38-AW13	Ⓕ ¹ CPC20/25-AW13	Ⓕ ¹ ¹ CPCD20/25-AW13
Ⓘ CPC30/35/38-AW27	Ⓘ ¹ CPCD30/35/38-AW27	Ⓙ CPC20/25-AW27	Ⓙ ¹ CPCD20/25-AW27
Ⓚ CPQ30/35/38-AW7	Ⓚ ¹ CPQD30/35/38-AW7	Ⓚ ¹ CPQ20/25-AW7	Ⓚ ¹ ¹ CPQD20/25-AW7
Ⓜ ¹ CPCD30/35-AW67	Ⓜ ¹ ¹ CPCD20/25-AW67	Ⓞ ³ CPC30/35-AG52-Z	Ⓞ ³ ¹ CPC30/35-AG52G-Z
Ⓒ ³ CPC30/35/38-AG51	Ⓒ ³ ¹ CPCD30/35/38-AG51	Ⓒ ² CPC30/35-AG51-Z	Ⓒ ³ ¹ CPCD30/35-AXG51
Ⓞ ⁴ CPC30/35-AXG51	Ⓞ ⁴ ¹ CPC30/35-AG51G-Z	Ⓟ CPC20/25-AG51	Ⓟ ¹ CPCD20/25-AG51
Ⓖ CPC30/35/38-AG52	Ⓖ ¹ CPCD30/35/38-AG52	Ⓞ ³ CPCD30/35-AXG52	Ⓞ ⁴ CPC30/35-AXG52
Ⓡ CPC20/25-AG52	Ⓡ ¹ CPCD20/25-AG52	① CPC30/35-AG69-Z	② CPC30/35-AG69G-Z
Ⓢ CPC30/35/38-AG2J	Ⓢ ¹ CPCD30/35/38-AG2J	Ⓢ ² CPC30/35-AG2J-Z	Ⓢ ² CPC30/35-AG70J-Z
Ⓣ CPC20/25-AG2J	Ⓣ ¹ CPCD20/25-AG2J	Ⓢ ³ CPC30/35-AG70JG-Z	⑧ CPCD30/35/38-AW55
Ⓤ ¹ CPC30/35/38-AG65J	Ⓤ ¹ ¹ CPCD30/35/38-AG65J	Ⓤ ² CPC30/35-AG65J-Z	Ⓤ ³ CPCD30/35-AXG65J
Ⓤ ⁴ CPC30/35-AG65JG-Z	Ⓤ ⁶ CPC30/35-AXG65J	Ⓥ ¹ CPC20/25-AG65J	Ⓥ ¹ ¹ CPCD20/25-AG65J
Ⓦ CPC30/35/38-AG70	Ⓦ ¹ CPCD30/35/38-AG70	Ⓧ CPC20/25-AG70	Ⓧ ¹ CPCD20/25-AG70
Ⓨ CPC30/35/38-AG70J	Ⓨ ¹ CPCD30/35/38-AG70J	Ⓨ ² CPC20/25-AG70J	Ⓨ ² ¹ CPCD20/25-AG70J
③ CPC20/25-AG69	④ CPC30/35/38-AG69	⑤ CPCD20/25-AG69	⑥ CPCD30/35/38-AG69

序号 Item	名称 Description	适用车型 Serial No.	页码 Page
图 1 Fig. 1	转向装置 Steering device	全部车型 All models of truck	2-1
图 2 Fig. 2	转向桥 (1) Steering axle (1)	全部车型 All models of truck	2-3
图 3 Fig. 3	转向桥 (2) Steering axle (2)	全部车型 All models of truck	2-6
图 4 Fig.4	2.0t-2.5t 转向车轮总成 2.0t-2.5t Steering wheel assy	2t-2.5t 叉车 2t-2.5t Forklift truck	2-7
图 5 Fig.5	3.0t-3.8t 转向车轮总成 3.0t-3.8t Steering wheel assy	3t-3.8t 叉车 3t-3.8t Forklift truck	2-8
图 6 Fig.6	转向油缸 Steering cylinder	全部车型 All models of truck	2-9

图1 转向装置
Fig. 1 Steering device

全部车型
All models of truck



序号 Item	物料码 Part NO.	名称 Description	数量 Qty	备注或适用车型 Remarks or Serial NO.
1	A300-211001-W00	方向盘盖 Steering wheel pad	1	
2	G006173-000016-01	螺栓 M16×1.5 Bolt M16×1.5	1	
3	A300-211100-W00	方向盘体 Steering wheel body	1	
4	G000091-004030-00	销4×30 Pin 4×30	1	
5	L030-211200-000	导电圈总成 Conductive cover assy	1	
6	A300-212200-000	转向管总成 Steering column	1	
7	A300-210001-000	夹紧螺栓 Bolt	1	
8	G005783-008025-00	螺栓 M8×25 Bolt M8×25	2	
9	G000093-000008-00	垫圈 8 Washer 8	2	
10	G000096-000008-00	垫圈 8 Washer 8	5	
11	A300-214000-000	支架 Bracket	1	
12	A300-210002-000	夹紧套 Sleeve	1	
13	15-225000-000	夹紧把手 Handle	1	
14	N163-210003-000	螺栓 Bolt	1	
15	A300-212100-000	转向轴 Steering shaft	1	

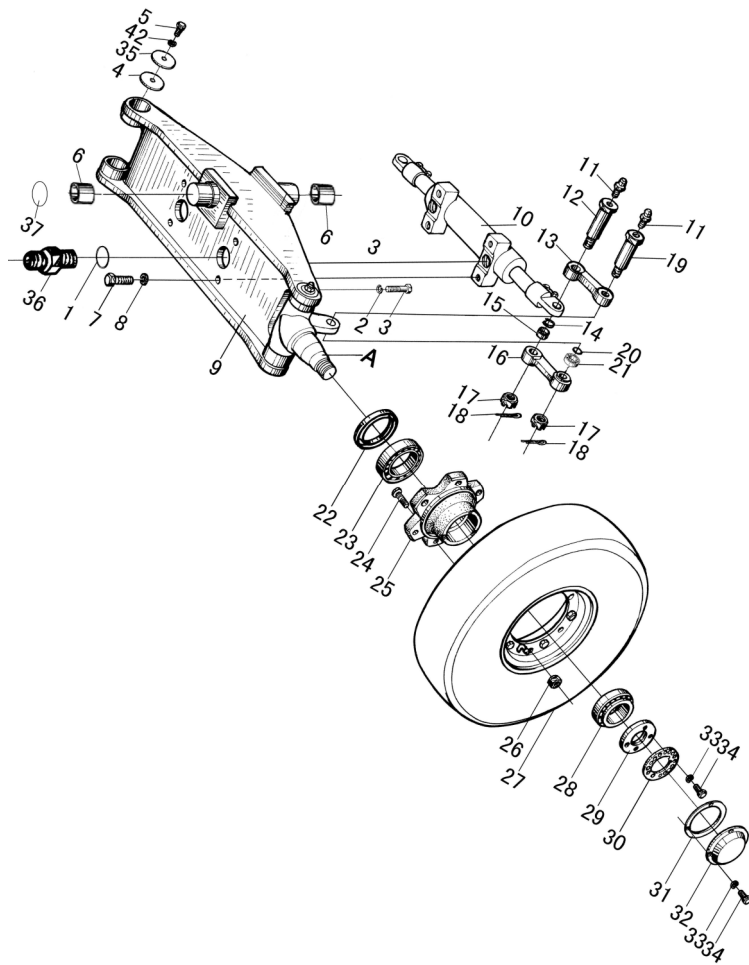
图1 转向装置
Fig. 1 Steering device

全部车型
All models of truck

序号 Item	物料码 Part NO.	名称 Description	数量 Qty	备注或适用车型 Remarks or Serial NO.
16	G000070-010030-00	螺钉 M10×30 Screw M10×30	4	
17	G000093-000010-00	垫圈 10 Washer 10	6	
18	30J-514000	支架 Bracket	1	
19	25DE-42-6	联轴 Shaft	1	
20	G000818-006030	螺钉M6×30 Screw M6×30	4	
21	GT00276-0061904-00	轴承 61904 Bearing 61904	1	
22	G0894P1-000020-00	轴用弹性挡圈-A型 20 Snap ring	1	
23	G000096-000006-00	垫圈6 Washer 6	4	
24	A300-213000-000	全液压转向器 Hydraulic steering gear	1	
25	G000093-000006-00	垫圈6 Washer	1	
26	30H-200001A	隔套 Spacer	4	
27	30H-200002A	橡胶垫 Rubber gasket	4	
28	A300-210003-000	支架 Bracket	1	
29	G005783-010030-00	螺栓M10×30 Bolt M10×30	2	
30	G0097P1-000010-00	垫圈10 Washer 10	2	

图2 转向桥 (1)
Fig. 2 Steering axle (1)

全部车型
All models of truck



序号 Item	物料码 Part NO.	名称 Description	数量 Qty	备注或适用车型 Remarks or Serial NO.
1	JISB2401-P11-G00	O 形密封圈 P11 O-ring P11	2	
2	G006171-000014-02	螺母 M14×1.5 Nut M14×1.5	2	
3	N163-220024-000	限位螺栓 Bolt	2	
4	N163-220026-001	垫板 Plate	4	
5	G002673-006012-00	螺钉 M6×12 Screw M6×12	12	
6	XF250-220014-000	轴套 Shaft sleeve	2	
7	G005786-014040-01	螺栓 M14×1.5×40 Bolt M14×1.5×40	4	
8	G000093-000014-00	垫圈 14 Washer 14	4	
9	A300-221000-000	转向桥体 Steering axle body	1	焊接件 weld assembly <2012-07-15
9	A300-220001-000	转向桥体 Steering axle body	1	铸件 Casting ≥2012-07-16
10		转向油缸 Steering cylinder	1	见图 6 See Fig.6
11	Q701B45-NPT1/16-G00	油杯 Grease nipple	4	
12	N163-220005-000	销轴 Pin shaft	2	
13	N163-220006-001	上联杆 Tie-rod bar	2	
14	G0893P2-000035-00	孔用弹性挡圈-B 型 35 Snap ring	2	

图2 转向桥 (1)
Fig. 2 Steering axle (1)

全部车型
All models of truck

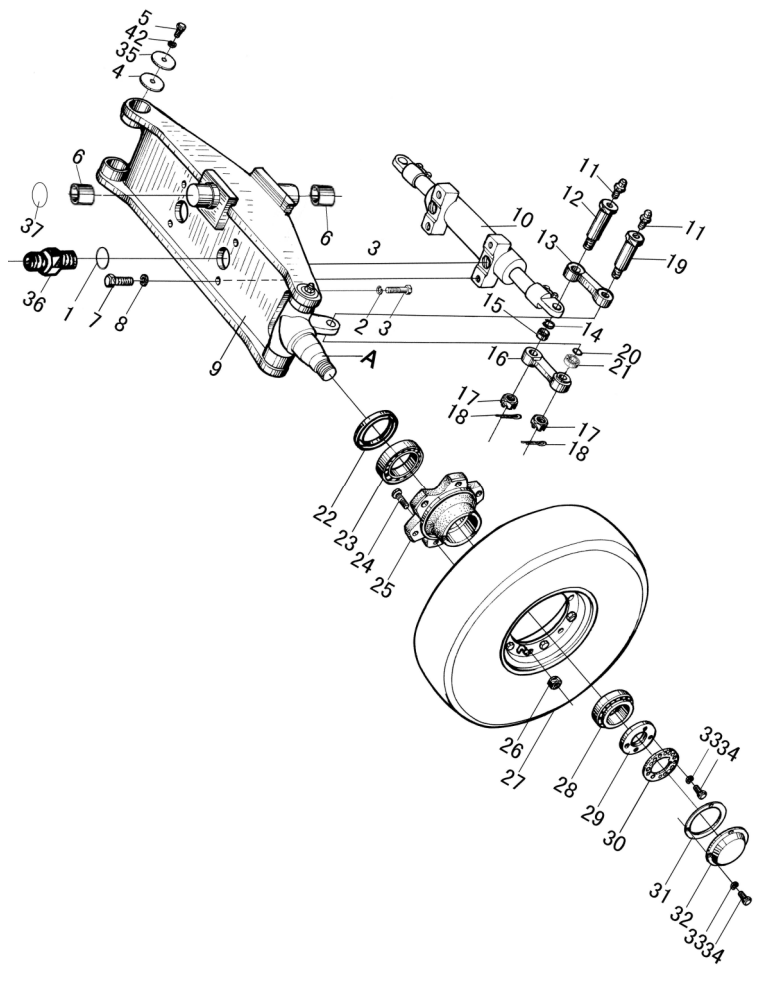
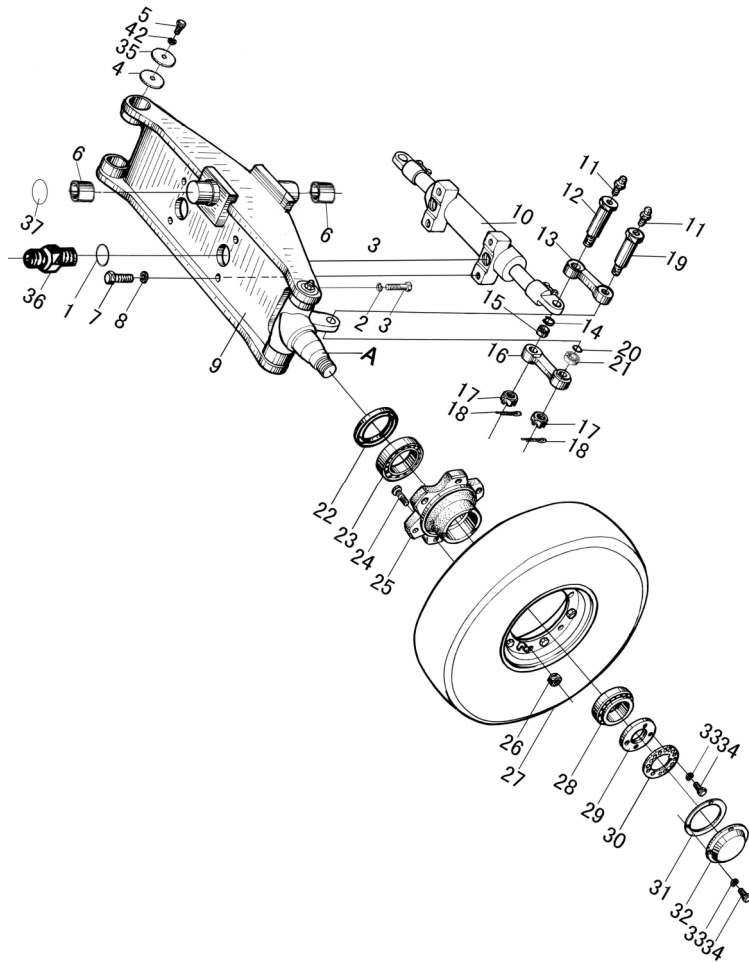
	序号 Item	物料码 Part NO.	名称 Description	数量 Qty	备注或适用车型 Remarks or Serial NO.
	15	G009163-200000-03	轴承 GE20ES-2RS Bearing	2	
	16	N163-220007-001	下联杆 Tie-rod bar	2	
	17	G009459-000014-01	螺母 M14×1.5 Nut M14×1.5	4	
	18	G000091-3P2040-00	销 3.2×40 Pin 3.2×40	4	
	19	N163-220008-001	销轴 Pin shaft	2	
	20	G0893P1-000030-00	孔用弹性挡圈-A型 30 Snap ring 30	2	
	21	G009163-170000-01	轴承 GE17ES Bearing	2	
	22	G013871-060009008-01	油封 FB60×90×8 Oil seal	2	
	23	GT00297-0322103-03	轴承 322103DC Bearing	2	
	24	N163-220011-000	联接螺栓 Bolt	12	
	25	N163-220013-001	转向轮毂 Hub	2	
	26	N163-220010-000	球形螺母 Nut	12	
	27		转向车轮总成 Steering wheel assy	2	见图4 或 图5 See Fig.4 or See Fig.5
	28	GT000297-03023083-03	轴承 322083DC Bearing	2	
	29	N163-220016-000	锁紧螺母 Lock nut	2	

图2 转向桥 (1)
 Fig. 2 Steering axle (1)

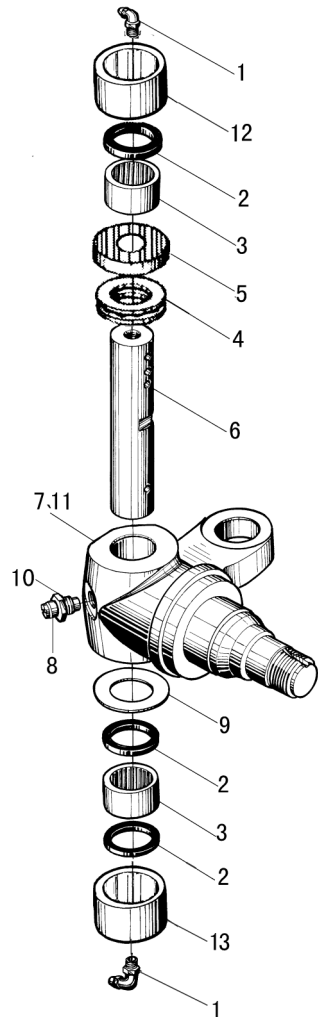
全部车型
 All models of truck



序号 Item	物料码 Part NO.	名称 Description	数量 Qty	备注或适用车型 Remarks or Serial NO.
30	N163-220017-000	防松垫圈 Washer	2	
31	N163-220014-000	纸垫 Gasket	2	
32	N163-220015-000	端盖 End cover	2	
33	G000093-000006-00	垫圈 6 Washer 6	10	
34	G005783-006012-00	螺栓 M6×12 Bolt M6×12	10	
35	N163-220023-002	盖板 Cover	4	
36	R960-220101-000	直通接头 Connector	2	
37	N163-220020-000	调整垫片 Adjusting shim	1	

图3 转向桥 (2)
Fig. 3 Steering axle (2)

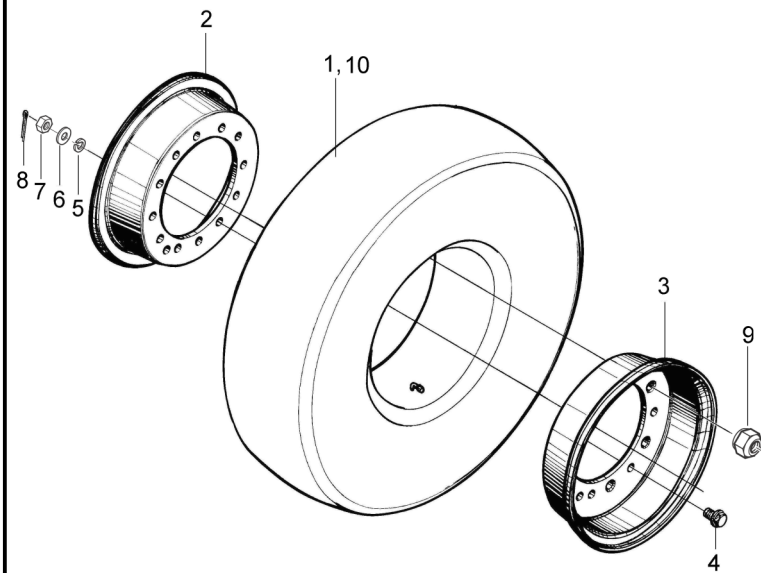
全部车型
All models of truck



序号 Item	物料码 Code No.	名称 Description	数量 Qty	备注或适用车型 Remarks Or Serial No.
1	Q701B45-NPT1/8-G00	油杯 Grease nipple	6	
2	N163-220021-000	油封 Oil seal	6	
3	JT07918-0304030-000	轴承 K304030 Bearing	4	
4	GT00301-0051206-00	轴承 51206 Bearing	2	<2014-02-01
4	XF250-220019-G00	轴承 Bearing	2	≥2014-02-01
5	N163-220002-000	防尘套 Dustproof bush	2	<2014-02-01
6	N163-220001-001	主销 Pin	2	
7	N163-220003-001	左转向节 Left steering knuckle	1	
8	N163-220027-000	固定螺栓 Bolt	2	
9	N163-220012-000	调整垫片 Adjusting shim	2 组	
10	G000093-000010-00	垫圈 10 Washer 10	2	
11	N163-220025-001	右转向节 Right steering knuckle	1	
12	N163-220028-000	钢套 I Sleeve	2	
13	N163-220029-000	钢套 II Sleeve	2	

图 4 2.0t-2.5t 转向车轮总成
Fig. 4 2.0t-2.5t Steering wheel assy

全部车型 2.0t-2.5t
All models of truck



序号 Item	物料码 Part No.	名称 Description	数量 Qty	备注或适用车型 Remarks Or Serial No.
A1	MB250-221000-000	转向车轮总成 Steering wheel assy	2	INC:1-8 实心轮胎 Solid Tyre
A1	N120-211000-000	转向车轮总成 Steering tyre assy	2	INC:1-8 充气轮胎 Inflated tyre
1	GT10823-0000609-00	实心轮胎 6.00-9 Solid Tyre 6.00-9	2	实心轮胎 Solid Tyre
1	GT02982-000060910-00	充气轮胎 6.00-9-10PR Inflated tyre	2	充气轮胎 Inflated tyre
2	N120-211002-000	内轮辋 Wheel rim, Inner	2	黑色 Black 序号 2、3 配对购买 Item 2, 3, Paired provide
3	N120-211001-000	外轮辋 Wheel rim, Outer	2	
4	3E-211003-000	螺栓 Bolt	12	
5	G000093-000012-00	垫圈 12 Washer 12	12	
6	G0097P1-000012-00	垫圈 12 Washer 12	12	
7	G009457-000012-01	螺母 M12×1.5 Nut M12×1.5	12	
8	G000091-3P2022-00	销 3.2×22 Pin 3.2×22	12	
9	XF250-220015-000	锥形螺母 Tapered nut	12	N163-220010-000 球形螺母 Spherical nut
10	GT10823-0000609-02	无痕轮胎 6.00-9 Non-trace tyre 6.00-9	2	选配 Optional 实心轮胎 Solid Tyre

图5 3.0t-3.8t 转向车轮总成
Fig.5 3.0t-3.8t Steering wheel assy

全部车型 3.0t-3.8t
All models of truck

序号 Item	物料码 Part No.	名称 Description	数量 Qty	备注或适用车型 Remarks Or Serial No.
A1	MB300-221000-000	转向车轮总成 Steering wheel assy	2	INC:1-7 实心轮胎 Solid Tyre
A1	N163-221000-000	转向车轮总成 Steering wheel assy	2	INC:1-7 充气轮胎 Inflated tyre
1	GT10823-006P510-00	实心轮胎 6.50-10 Solid Tyre 6.50-10	2	实心轮胎 Solid Tyre
1	GT02982-006P51010-00	充气轮胎 6.50-10-10PR Inflated tyre	2	充气轮胎 Inflated tyre
2	N163-221002-000	内轮辋 Wheel rim, Inner	2	黑色 Black 序号 2、3 配对购买 Item 2, 3, Provide together
3	N163-221001-000	外轮辋 Wheel rim, Outer	2	
4	3E-211003-000	螺栓 Bolt	12	
5	G000093-000012-00	垫圈 12 Washer 12	12	
6	G009457-000012-01	螺母 M12×1.5 Nut M12×1.5	12	
7	G000091-3P2022-00	销 3.2×22 Pin 3.2×22	12	
8	XF250-220015-000	锥形螺母 Tapered nut	12	N163-220010-000 球形螺母 Spherical nut
9	GT10823-006P510-02	无痕轮胎 6.50-10 Non-trace tyre 6.50-10	2	选配 Optional 实心轮胎 Solid Tyre

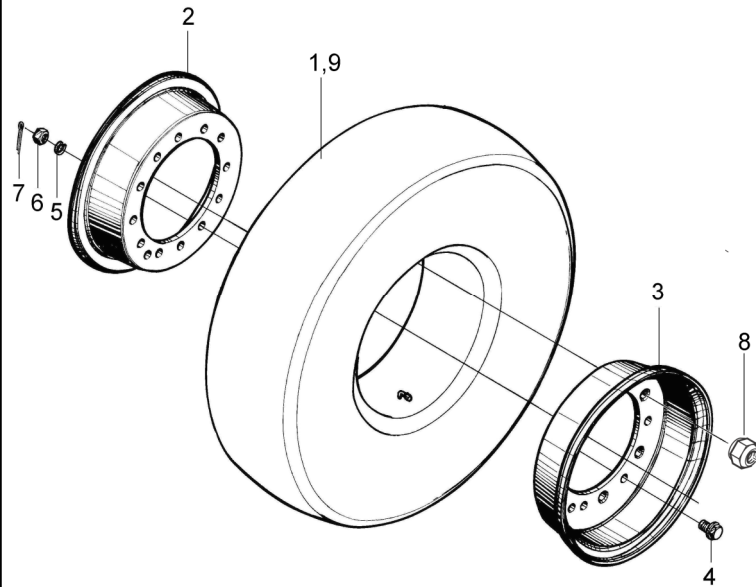


图6 转向油缸
Fig.6 Steering cylinder

全部车型
All models of truck

序号 Item	物料码 Part No.	名称 Description	数量 Qty	备注或适用车型 Remarks or Serial No.
A1	R960-224000-000	转向油缸 Steering cylinder	1	包含/INC:1-16
1	N030-224001-W00	钢丝挡圈 Snap ring	2	
2	AR2342E5-G00	DKB 防尘圈 d40 Dustproof ring	2	
3	FU0497K0-G00	ISI密封圈d40 Seal ring	2	
4	R960-224001-W00	导向套 Guide bush	2	
5	G001235-007003P1-00	O 形密封圈 70×3.1 O-ring 70×3.1	2	
6	G001235-006503P5-00	O 形密封圈 65×3.5 O-ring 65×3.5	2	
7	G0893P1-000035-00	孔用弹性挡圈-A 型 35 Snap ring 35	2	
8	R960-224100-000	缸体 Body cylinder	1	
9	PT0200650-TN46NA-G00	格莱圈 D65×54×4.2 Ring	1	
10	N163-224300-001	活塞杆 Piston rod	1	
11	N163-224001-000	油缸接头 Cylinder connector	2	
12	G005786-010030-00	螺栓 M10×1.25×30 Bolt M10×1.25×30	4	
13	G000093-000010-00	垫圈 10 Washer 10	4	
14	G006173-000010-00	螺母 M10×1.25 Nut M10×1.25	4	

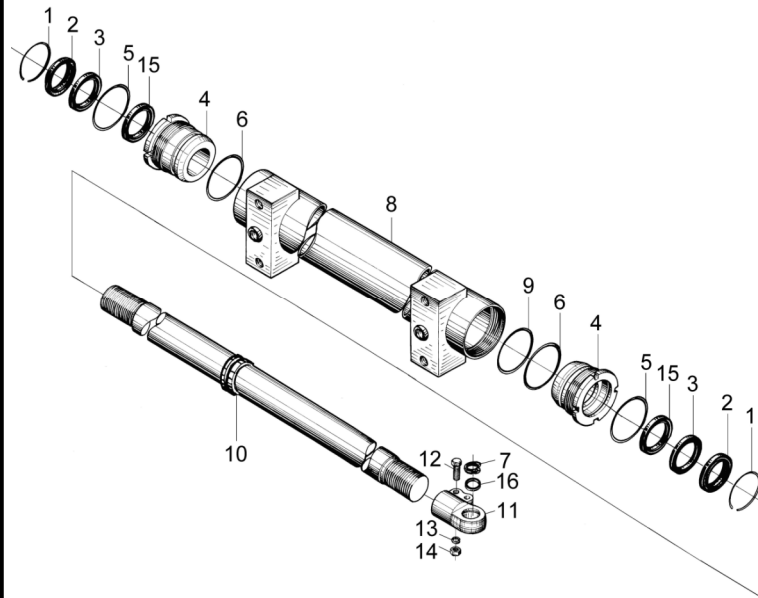
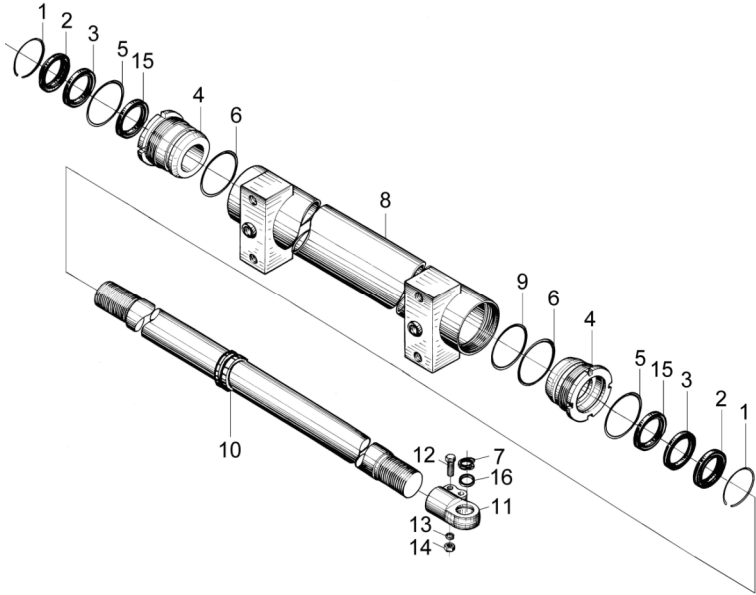


图 6 转向油缸
Fig.6 Steering cylinder

全部车型
All models of truck

序号 Item	物料码 Part No.	名称 Description	数量 Qty	备注或适用车型 Remarks or Serial No.
15	SF-1-4025-G00	复合衬套 Bush	2	
16	G009163-2000000-03	轴承 GE20ES-2RS Bearing	2	
K1	R960-224-000-kit	转向油缸修理包 Steering cylinder repair kits	1	包含/INC:2,3,5,6,9



第三部分 动力系统目录
Part III Power system contents

- | | | | |
|-----------------------|-------------------------|-----------------------|----------------------|
| Ⓐ CPC30/35/38-AG2 | Ⓐ1 CPCD30/35/38-AG2 | Ⓐ2 CPC30/35-AG2-Z | Ⓐ3 CPCD30/35/38-AG2E |
| Ⓑ CPC20/25-AG2 | Ⓑ1 CPCD20/25-AG2 | ⑦ CPCD20/25-AW55 | Ⓑ3 CPCD20/25-AG2E |
| Ⓒ CPC30/35/38-AG32 | Ⓒ1 CPCD30/35/38-AG32 | Ⓒ2 CPC38-AXG32 | Ⓒ3 CPCD38-AXG32 |
| Ⓓ CPC20/25-AG32 | Ⓓ1 CPCD20/25-AG32 | Ⓖ CPC20/25-AW10 | Ⓕ1 CPCD20/25-AW10 |
| Ⓔ CPC30-AW10 | Ⓔ1 CPCD30-AW10 | Ⓔ2 CPC30-AXW10 | Ⓔ3 CPCD30-AXW10 |
| Ⓖ CPC30/35/38-AW13 | Ⓖ1 CPCD30/35/38-AW13 | Ⓕ CPC20/25-AW13 | Ⓕ1 CPCD20/25-AW13 |
| Ⓖ1 CPC30/35/38-AW27 | Ⓖ11 CPCD30/35/38-AW27 | Ⓖ2 CPC20/25-AW27 | Ⓖ11 CPCD20/25-AW27 |
| Ⓖ2 CPQ30/35/38-AW7 | Ⓖ21 CPQD30/35/38-AW7 | Ⓖ3 CPQ20/25-AW7 | Ⓖ21 CPQD20/25-AW7 |
| Ⓖ3 CPCD30/35-AW67 | Ⓖ31 CPCD20/25-AW67 | Ⓖ4 CPC30/35-AG52-Z | Ⓖ31 CPC30/35-AG52G-Z |
| Ⓖ4 CPC30/35/38-AG51 | Ⓖ41 CPCD30/35/38-AG51 | Ⓖ5 CPC30/35-AG51-Z | Ⓖ41 CPCD30/35-AXG51 |
| Ⓖ5 CPC30/35-AXG51 | Ⓖ51 CPC30/35-AG51G-Z | Ⓖ6 CPC20/25-AG51 | Ⓖ51 CPCD20/25-AG51 |
| Ⓖ6 CPC30/35/38-AG52 | Ⓖ61 CPCD30/35/38-AG52 | Ⓖ7 CPCD30/35-AXG52 | Ⓖ61 CPC30/35-AXG52 |
| Ⓖ7 CPC20/25-AG52 | Ⓖ71 CPCD20/25-AG52 | ① CPC30/35-AG69-Z | ② CPC30/35-AG69G-Z |
| Ⓖ8 CPC30/35/38-AG2J | Ⓖ81 CPCD30/35/38-AG2J | Ⓖ81 CPC30/35-AG2J-Z | Ⓖ82 CPC30/35-AG70J-Z |
| Ⓖ9 CPC20/25-AG2J | Ⓖ91 CPCD20/25-AG2J | Ⓖ83 CPC30/35-AG70JG-Z | ⑧ CPCD30/35/38-AW55 |
| Ⓖ10 CPC30/35/38-AG65J | Ⓖ101 CPCD30/35/38-AG65J | Ⓖ84 CPC30/35-AG65J-Z | Ⓖ84 CPCD30/35-AXG65J |
| Ⓖ11 CPC30/35-AG65JG-Z | Ⓖ111 CPC30/35-AXG65J | Ⓖ111 CPC20/25-AG65J | Ⓖ111 CPCD20/25-AG65J |
| Ⓖ12 CPC30/35/38-AG70 | Ⓖ121 CPCD30/35/38-AG70 | Ⓖ121 CPC20/25-AG70 | Ⓖ121 CPCD20/25-AG70 |
| Ⓖ13 CPC30/35/38-AG70J | Ⓖ131 CPCD30/35/38-AG70J | Ⓖ131 CPC20/25-AG70J | Ⓖ131 CPCD20/25-AG70J |
| ③ CPC20/25-AG69 | ④ CPC30/35/38-AG69 | ⑤ CPCD20/25-AG69 | ⑥ CPCD30/35/38-AG69 |

序号 Item	名称 Description	适用车型 Serial No.	页码 Page
图 1 Fig.1	动力系统 Power system	Ⓐ Ⓐ1 Ⓐ2 Ⓐ3 Ⓑ Ⓑ1 Ⓑ3 Ⓒ Ⓒ1 Ⓒ2 Ⓖ Ⓖ1 Ⓖ2 Ⓖ3 Ⓖ4 Ⓖ5 Ⓖ6 Ⓖ7 Ⓖ8 Ⓖ81 Ⓖ82 Ⓖ83 Ⓖ84 Ⓖ9 Ⓖ91 Ⓖ10 Ⓖ101 Ⓖ11 Ⓖ111 Ⓖ12 Ⓖ121 Ⓖ13 Ⓖ131 ② ① ⑦ ⑧ ⑨ ⑩ ⑪ ⑫ ⑬ ⑭ ⑮ ⑯ ⑰ ⑱ ⑲ ⑳	3-1

序号 Item	名称 Description	适用车型 Serial No.	页码 Page
图 1-A Fig.1-A	电控单元总成 ECU assy		3-5
图 2 Fig.2	动力系统 Power system		3-7
图 3 Fig.3	进气系统 Air inlet system		3-8
图 3-1 Fig.3-1	进气系统 Air inlet system		3-10
图 4 Fig.4	排气系统 Exhaust system		3-12
图 4-1 Fig.4-1	排气系统 Exhaust system		3-13
图 5 Fig.5	排气系统 Exhaust system		3-15
图 6 Fig.6	高位排气系统 (2t-3.8t) High Exhaust system (2t-3.8t)		3-17
图 7 Fig.7	高位排气系统 (2t-3.8t) High Exhaust system (2t-3.8t)		3-18
图 8 Fig.8	冷却系统 Cooling system		3-19
图 9 Fig.9	冷却系统 Cooling system		3-23
图 10 Fig.10	燃油系统 Fuel system		3-25
图 11 Fig.11	缓冲垫总成 Cushion assy		3-27
图 11-1 Fig.11-1	发动机安装 Engine mount		3-28

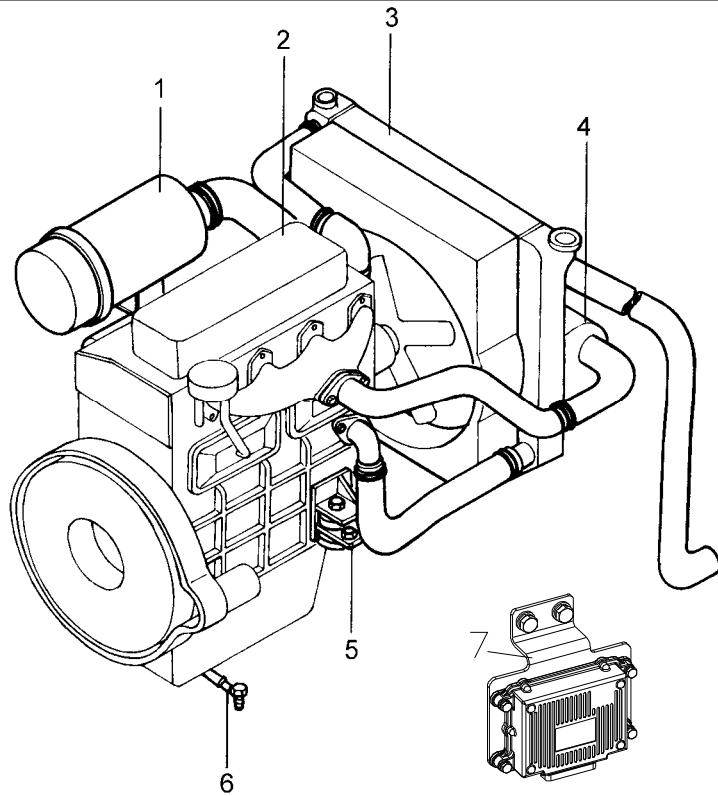
序号 Item	名称 Description	适用车型 Serial No.	页码 Page
图 11-2 Fig.11-2	缓冲垫总成 Cushion assy	Q Q1 R R1 O2 W W1 X X1 Y Y1 Z Z1 U6 U3 ① ② (O O1 P P1) ≥2016-02-25)	3-29
图 12 Fig.12	发动机安装 Engine mount	C C1 D D1 C2 C3	3-30
图 13 Fig.13	动力系统 Power system	E E1 E2 E3 F F1	3-31
图 14 Fig.14	动力系统 Power system	G G1 H H1	3-32
图 15 Fig.15	动力系统 Power system	I I1 J J1 M1 N1	3-33
图 16 Fig.16	动力系统 Power system	K K1 L L1	3-34
图 17 Fig.17	进气系统 Air inlet system	≤2016-07 E E1 E2 E3 F F1 G G1 H H1 I I1 J J1 K K1 L L1 M1 N1	3-35
图 17-1 Fig.17-1	进气系统 Air inlet system	≥2016-07 I I1 J J1 M1 N1 K K1 L L1	3-37
图 18 Fig.18	排气系统 Exhaust system	E E1 E2 E3	3-38
图 19 Fig.19	排气系统 Exhaust system	F F1	3-40
图 20 Fig.20	排气系统 Exhaust system	G G1 I I1 A3 M1	3-43
图 21 Fig.21	排气系统 Exhaust system	H H1 J J1 B3 N1	3-44
图 22 Fig.22	排气系统 Exhaust system	K K1	3-46
图 23 Fig.23	排气系统 Exhaust system	L L1	3-48

序号 Item	名称 Description	适用车型 Serial No.	页码 Page
图 24 Fig.24	冷却系统 Cooling system	Ⓔ Ⓔ1 Ⓔ2 Ⓔ3 Ⓕ Ⓕ1 Ⓖ Ⓖ1 Ⓕ Ⓕ1	3-50
图 25 Fig.25	冷却系统 Cooling system	Ⓢ Ⓢ1 Ⓣ Ⓣ1 Ⓜ Ⓜ1	3-52
图 26 Fig.26	冷却系统 Cooling system	Ⓚ Ⓚ1 Ⓛ Ⓛ1	3-54
图 27 Fig.27	燃油系统 Fuel system	Ⓔ Ⓔ1 Ⓕ Ⓕ1	3-56
图 28 Fig.28	燃油系统 Fuel system	Ⓖ Ⓖ1 Ⓕ Ⓕ1	3-58
图 29 Fig.29	燃油系统 Fuel system	Ⓢ Ⓢ1 Ⓣ Ⓣ1 Ⓜ Ⓜ1	3-60
图 30 Fig.30	燃油系统 Fuel system	Ⓚ Ⓚ1 Ⓛ Ⓛ1	3-61
图 31 Fig.31	发动机安装 Engine mount	Ⓔ Ⓔ1 Ⓕ Ⓕ1	3-63
图 32 Fig.32	发动机安装 Engine mount	Ⓖ Ⓖ1 Ⓕ Ⓕ1	3-64
图 33 Fig.33	发动机安装 Engine mount	Ⓢ Ⓢ1 Ⓣ Ⓣ1 Ⓜ Ⓜ1	3-65
图 34 Fig.34	发动机安装 Engine mount	Ⓚ Ⓚ1 Ⓛ Ⓛ1	3-66
图 35 Fig.35	发动机安装 Engine mount	Ⓔ2 Ⓔ3	3-67
图 36 Fig.36	动力系统 Power system	Ⓜ Ⓜ1 Ⓧ Ⓧ1 Ⓨ Ⓨ1 Ⓩ Ⓩ1 Ⓨ2 Ⓨ3	3-68
图 36-A Fig.36-A	电控单元总成 ECU assy	Ⓜ Ⓜ1 Ⓧ Ⓧ1 Ⓨ Ⓨ1 Ⓩ Ⓩ1 Ⓨ2 Ⓨ3	3-69

序号 Item	名称 Description	适用车型 Serial No.	页码 Page
图 37 Fig.37	进气系统 Air inlet system	W W1 X X1 Y Y1 Z Z1 Y2	3-70
图 38 Fig.38	排气系统 Exhaust system	W W1 X X1 Y Y1 Z Z1 Y2	3-71
图 39 Fig.39	冷却系统 Cooling system	W W1 X X1 Y Y1 Z Z1 Y2	3-73
图 40 Fig.40	燃油系统 Fuel system	W W1 X X1 Y Y1 Z Z1 Y2 Y3	3-75
图 41 Fig.41	动力系统 Power system	7 8	3-76
图 42 Fig.42	进气系统 Air inlet system	7 8	3-77
图 43 Fig.43	排气系统 Exhaust system	7 8	3-78
图 44 Fig.44	冷却系统 Cooling system	7 8	3-79
图 45 Fig.45	燃油系统 Fuel system	7 8	3-80

图 1 动力系统
Fig.1 Power system

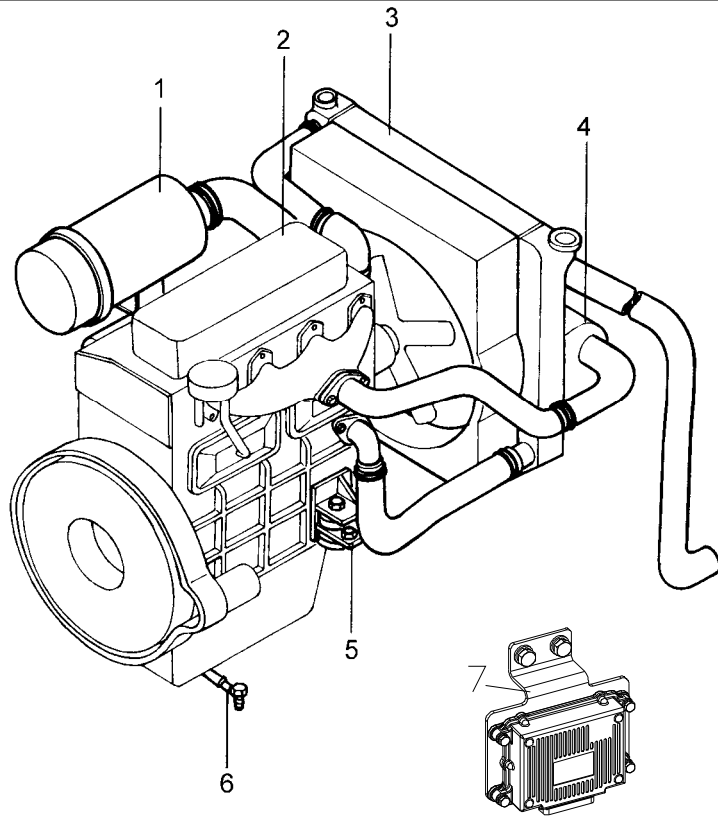
Ⓐ CPC30/35/38-AG2	Ⓐ1 CPCD30/35/38-AG2	Ⓐ2 CPC30/35-AG2-Z	Ⓐ3 CPCD30/35/38-AG2E
Ⓑ CPC20/25-AG2	Ⓑ1 CPCD20/25-AG2	Ⓞ2 CPC30/35-AG51-Z	Ⓑ3 CPCD20/25-AG2E
Ⓞ CPC30/35/38-AG51	Ⓞ1 CPCD30/35/38-AG51	Ⓟ CPC20/25-AG51	Ⓟ1 CPCD20/25-AG51
Ⓞ CPC30/35/38-AG52	Ⓞ1 CPCD30/35/38-AG52	Ⓡ CPC20/25-AG52	Ⓡ1 CPCD20/25-AG52
Ⓞ4 CPC30/35-AXG51	Ⓞ3 CPCD30/35-AXG51	Ⓞ4 CPC30/35-AXG52	Ⓞ3 CPCD30/35-AXG52
Ⓢ CPC30/35/38-AG2J	Ⓢ1 CPCD30/35/38-AG2J	Ⓢ2 CPC30/35-AG2J-Z	Ⓢ1 CPCD20/25-AG2J
Ⓢ1 CPCD20/25-AG2J	Ⓢ5 CPC30/35-AG51G-Z	Ⓢ2 CPC30/35-AG65J-Z	Ⓢ4 CPC30/35-AG65JG-Z
Ⓢ CPC30/35/38-AG65J	Ⓢ1 CPCD30/35/38-AG65J	Ⓢ2 CPC20/25-AG65J	Ⓢ1 CPCD20/25-AG65J
Ⓢ6 CPC30/35-AXG65J	Ⓢ3 CPCD30/35-AXG65J	Ⓢ1 CPC30/35-AG69-Z	Ⓢ2 CPC30/35-AG69G-Z
③ ④ ⑤ ⑥	Ⓢ3 CPCD30/35-AXG65J	Ⓢ1 CPC30/35-AG69-Z	Ⓢ2 CPC30/35-AG69G-Z
		Ⓢ9 CPC30/35-AG52-Z	Ⓢ6 CPC30/35-AG52G-Z



序号 Item	物料码 Part No.	名称 Description	数量 Qty	备注或适用车型 Remarks or Serial NO..
1	A300-310000-000	进气系统 Air intake system	1	剩余车型 Remaining models
1	AX300-310000-000	进气系统 Air intake system	1	Ⓞ4 Ⓞ3 Ⓞ3 Ⓞ4 Ⓢ6 Ⓢ3
1	AE310-310000-000	进气系统 Air intake system	1	Ⓐ3 Ⓑ3
1	AGZ309-310000-000	进气系统 Air intake system	1	Ⓢ5 Ⓢ4 ② Ⓢ6
2	AZ3018-301000-G00	柴油机 4D29G31-017 Diesel engine	1	① ② ③ ④ ⑤ ⑥
2	30HBG2-301000-G00	柴油机 C490BPG-204 Diesel engine	1	Ⓐ Ⓐ1 Ⓐ2 Ⓐ3 Ⓑ Ⓑ1 Ⓑ3
2	A303-301000-G00	柴油机 4D27G40-004 Diesel engine	1	Ⓢ Ⓢ1 Ⓢ2 Ⓢ1 Ⓢ1
2	30HBG1-300001-G00	柴油机 A495BPG-4 Diesel engine	1	G1 发动机 engine
2	30HBG5-300001-G00	柴油机 A490BPG-7 Diesel engine	1	G5 发动机 engine
2	30HBG27-301000-G00	柴油机 A495BPG-501 Diesel engine	1	G27 发动机 engine
2	30HBG31-301000-G00	柴油机 A498BPG-503 Diesel engine	1	G31 发动机 engine
2	A309-301000-G00	柴油机 4D27G31-002 Diesel engine	1	Ⓞ Ⓞ2 Ⓞ1 Ⓟ Ⓟ1 Ⓞ4 Ⓞ3 Ⓞ3 Ⓞ4 Ⓢ5

图 1 动力系统
Fig.1 Power system

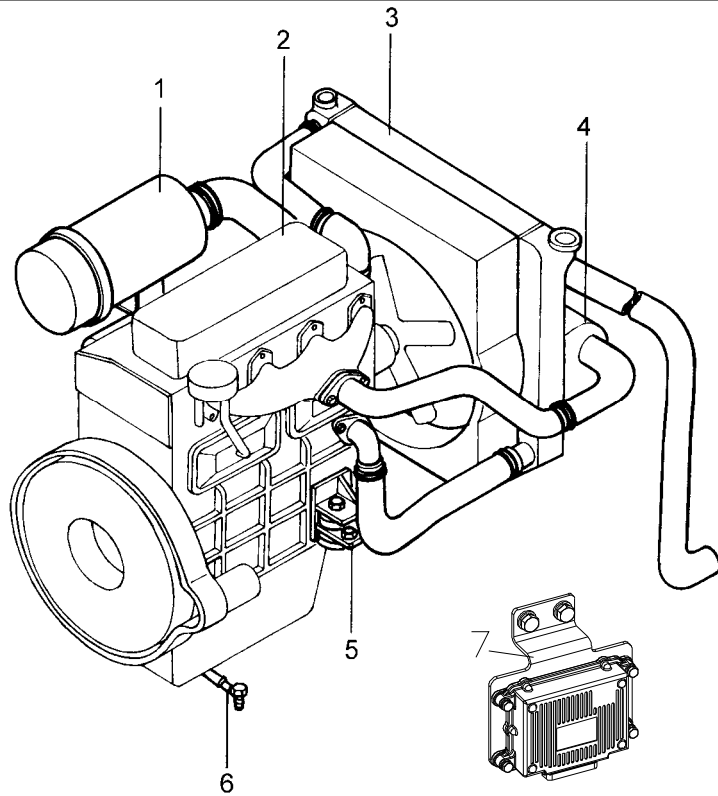
Ⓐ CPC30/35/38-AG2	Ⓐ1 CPCD30/35/38-AG2	Ⓐ2 CPC30/35-AG2-Z	Ⓐ3 CPCD30/35/38-AG2E
Ⓑ CPC20/25-AG2	Ⓑ1 CPCD20/25-AG2	Ⓒ2 CPC30/35-AG51-Z	Ⓑ3 CPCD20/25-AG2E
Ⓒ CPC30/35/38-AG51	Ⓒ1 CPCD30/35/38-AG51	Ⓖ CPC20/25-AG51	Ⓖ1 CPCD20/25-AG51
Ⓖ CPC30/35/38-AG52	Ⓖ1 CPCD30/35/38-AG52	Ⓖ CPC20/25-AG52	Ⓖ1 CPCD20/25-AG52
Ⓖ4 CPC30/35-AXG51	Ⓖ3 CPCD30/35-AXG51	Ⓖ4 CPC30/35-AXG52	Ⓖ3 CPCD30/35-AXG52
Ⓖ CPC30/35/38-AG2J	Ⓖ1 CPCD30/35/38-AG2J	Ⓖ2 CPC30/35-AG2J-Z	Ⓖ CPC20/25-AG2J
Ⓖ1 CPCD20/25-AG2J	Ⓖ5 CPC30/35-AG51G-Z	Ⓖ2 CPC30/35-AG65J-Z	Ⓖ4 CPC30/35-AG65JG-Z
Ⓖ CPC30/35/38-AG65J	Ⓖ1 CPCD30/35/38-AG65J	Ⓖ CPC20/25-AG65J	Ⓖ1 CPCD20/25-AG65J
Ⓖ6 CPC30/35-AXG65J	Ⓖ3 CPCD30/35-AXG65J	Ⓖ1 CPC30/35-AG69-Z	Ⓖ2 CPC30/35-AG69G-Z
③ ④ ⑤ ⑥		Ⓖ9 CPC30/35-AG52-Z	Ⓖ6 CPC30/35-AG52G-Z



序号 Item	物料码 Part No.	名称 Description	数量 Qty	备注或适用车型 Remarks or Serial NO..
2	A3010-301000-G00	柴油机 4D32G31-001 Diesel engine	1	Ⓒ Ⓒ1 Ⓖ Ⓖ1 Ⓖ5 Ⓖ6
2	A3011-301000-G00	柴油机 4D27G31-078 Diesel engine	1	Ⓖ Ⓖ1 Ⓖ Ⓖ1 Ⓖ2 Ⓖ4 Ⓖ6 Ⓖ3
3	A300-330000-000	冷却系统 Cooling system	1	Ⓐ Ⓐ2 Ⓖ Ⓖ2
3	A310-330000-000	冷却系统 Cooling system	1	Ⓐ1 Ⓖ1
3	A250-330000-000	冷却系统 Cooling system	1	Ⓑ Ⓖ
3	A260-330000-000	冷却系统 Cooling system	1	Ⓑ1 Ⓖ1
3	AE310-330000-000	冷却系统 Cooling system	1	Ⓐ3 Ⓑ3
3	A309-330000-000	冷却系统 Cooling system	1	Ⓒ Ⓒ1 Ⓖ2 Ⓖ Ⓖ1 Ⓖ5 Ⓖ2 ④
3	AGZ309-330000-000	冷却系统 Cooling system	1	Ⓖ5 Ⓖ4 Ⓖ2 Ⓖ6
3	AX309-330000-000	冷却系统 Cooling system	1	Ⓖ4 Ⓖ4 Ⓖ6
3	A319-330000-000	冷却系统 Cooling system	1	Ⓒ1 Ⓒ1 Ⓖ1 Ⓖ6
3	AX319-330000-000	冷却系统 Cooling system	1	Ⓒ3 Ⓒ3 Ⓖ3

图 1 动力系统
Fig.1 Power system

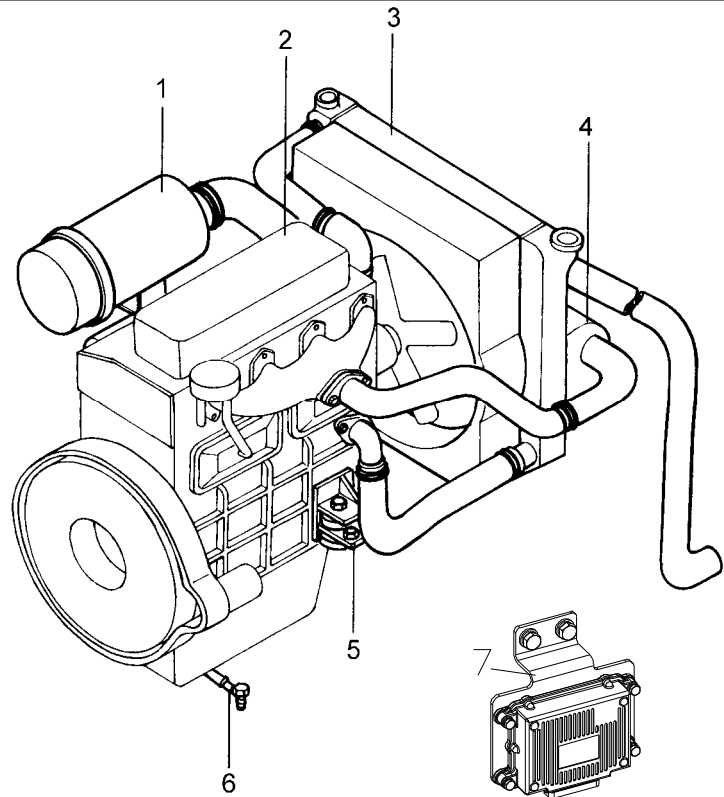
Ⓐ CPC30/35/38-AG2	Ⓐ1 CPCD30/35/38-AG2	Ⓐ2 CPC30/35-AG2-Z	Ⓐ3 CPCD30/35/38-AG2E
Ⓑ CPC20/25-AG2	Ⓑ1 CPCD20/25-AG2	Ⓑ2 CPC30/35-AG51-Z	Ⓑ3 CPCD20/25-AG2E
Ⓒ CPC30/35/38-AG51	Ⓒ1 CPCD30/35/38-AG51	Ⓒ2 CPC20/25-AG51	Ⓒ1 CPCD20/25-AG51
Ⓓ CPC30/35/38-AG52	Ⓓ1 CPCD30/35/38-AG52	Ⓓ2 CPC20/25-AG52	Ⓓ1 CPCD20/25-AG52
Ⓔ CPC30/35-AXG51	Ⓔ1 CPCD30/35-AXG51	Ⓔ2 CPC30/35-AXG52	Ⓔ3 CPCD30/35-AXG52
Ⓕ CPC30/35/38-AG2J	Ⓕ1 CPCD30/35/38-AG2J	Ⓕ2 CPC30/35-AG2J-Z	Ⓕ1 CPC20/25-AG2J
Ⓖ1 CPCD20/25-AG2J	Ⓖ2 CPC30/35-AG65J-Z	Ⓖ3 CPC30/35-AG65JG-Z	Ⓖ4 CPC30/35-AG65JG-Z
Ⓖ5 CPC30/35/38-AG65J	Ⓖ6 CPCD30/35/38-AG65J	Ⓖ7 CPC20/25-AG65J	Ⓖ8 CPCD20/25-AG65J
Ⓖ9 CPC30/35-AXG65J	Ⓖ10 CPCD30/35-AXG65J	Ⓖ11 CPC30/35-AG69-Z	Ⓖ12 CPC30/35-AG69G-Z
③ ④ ⑤ ⑥	Ⓖ13 CPC30/35-AG52-Z	Ⓖ14 CPC30/35-AG52G-Z	



序号 Item	物料码 Part No.	名称 Description	数量 Qty	备注或适用车型 Remarks or Serial NO..
3	A259-330000-000	冷却系统 Cooling system	1	Ⓐ Ⓓ Ⓔ Ⓕ
3	A269-330000-000	冷却系统 Cooling system	1	Ⓐ1 Ⓓ1 Ⓔ1 Ⓕ1
4	A300-320000-000	排气系统 Exhaust system	1	Ⓐ Ⓐ1 Ⓐ2 Ⓕ Ⓕ1 Ⓕ2 3.0t-3.8t
4	A250-320000-000	排气系统 Exhaust system	2	Ⓑ Ⓑ1 Ⓖ Ⓖ1
4	AE310-320000-000	排气系统 Exhaust system	1	Ⓐ3 3.0t-3.8t 见图 20 See Fig.20
4	AE260-320000-000	排气系统 Exhaust system	2	Ⓑ3 2.0t-2.5t 见图 21 See Fig.21
4	A309-320000-000	排气系统 Exhaust system	1	Ⓒ Ⓒ1 Ⓓ Ⓓ1 Ⓔ Ⓔ1 Ⓕ1 Ⓖ5 Ⓖ9 ④ ⑥ 3.0t-3.8t
4	AX309-320000-000	排气系统 Exhaust system	1	Ⓒ4 Ⓒ3 Ⓒ3 Ⓒ4 Ⓖ6 Ⓖ9 3.0t-3.5t
4	AGZ309-320000-000	排气系统 Exhaust system	1	Ⓖ5 Ⓖ9 ② Ⓖ6
4	A259-320000-000	排气系统 Exhaust system	2	Ⓐ Ⓐ1 Ⓐ2 Ⓕ Ⓕ1 Ⓕ2 Ⓕ3 Ⓕ5 2.0t-2.5t Ⓖ1
5	30DHW15-302000A	缓冲垫总成 Cushion assy	2	剩余车型 Remaining models
5	30DHW15-302000A	缓冲垫总成 Cushion assy	2	Ⓒ Ⓒ1 Ⓐ Ⓐ1 < 2016-02-25

图 1 动力系统
Fig.1 Power system

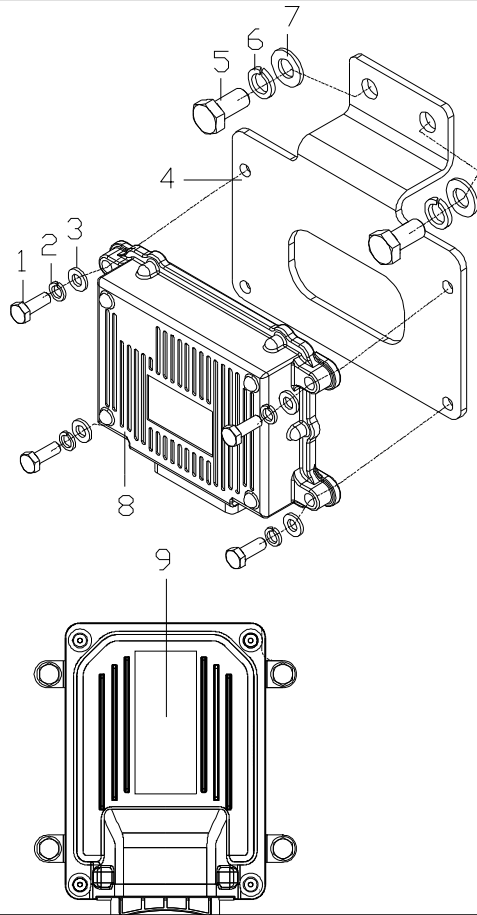
- | | | | |
|----------------------|-----------------------|---------------------|----------------------|
| Ⓐ CPC30/35/38-AG2 | Ⓐ1 CPCD30/35/38-AG2 | Ⓐ2 CPC30/35-AG2-Z | Ⓐ3 CPCD30/35/38-AG2E |
| Ⓑ CPC20/25-AG2 | Ⓑ1 CPCD20/25-AG2 | Ⓑ2 CPC30/35-AG51-Z | Ⓑ3 CPCD20/25-AG2E |
| Ⓒ CPC30/35/38-AG51 | Ⓒ1 CPCD30/35/38-AG51 | Ⓒ2 CPC20/25-AG51 | Ⓒ1 CPCD20/25-AG51 |
| Ⓓ CPC30/35/38-AG52 | Ⓓ1 CPCD30/35/38-AG52 | Ⓓ2 CPC20/25-AG52 | Ⓓ1 CPCD20/25-AG52 |
| Ⓔ CPC30/35-AXG51 | Ⓔ1 CPCD30/35-AXG51 | Ⓔ2 CPC30/35-AXG52 | Ⓔ3 CPCD30/35-AXG52 |
| Ⓕ CPC30/35/38-AG2J | Ⓕ1 CPCD30/35/38-AG2J | Ⓕ2 CPC30/35-AG2J-Z | Ⓕ1 CPCD20/25-AG2J |
| Ⓖ1 CPCD20/25-AG2J | Ⓖ2 CPC30/35-AG51G-Z | Ⓖ3 CPC30/35-AG65J-Z | Ⓖ4 CPC30/35-AG65JG-Z |
| Ⓖ5 CPC30/35/38-AG65J | Ⓖ6 CPCD30/35/38-AG65J | Ⓖ7 CPC20/25-AG65J | Ⓖ8 CPCD20/25-AG65J |
| Ⓖ9 CPC30/35-AXG65J | Ⓖ10 CPCD30/35-AXG65J | Ⓖ11 CPC30/35-AG69-Z | Ⓖ12 CPC30/35-AG69G-Z |
| ③ ④ ⑤ ⑥ | Ⓖ13 CPCD30/35-AG52-Z | Ⓖ14 CPC30/35-AG52-Z | Ⓖ15 CPC30/35-AG52G-Z |



序号 Item	物料码 Part No.	名称 Description	数量 Qty	备注或适用车型 Remarks or Serial NO..
5	R3110-350100-000	缓冲垫总成 Cushion assy	2	Ⓒ Ⓒ1 Ⓒ2 Ⓒ3 Ⓒ4 Ⓒ5 Ⓒ6 Ⓒ7 Ⓒ8 Ⓒ9 Ⓒ10 Ⓒ11 Ⓒ12 Ⓒ13 Ⓒ14 Ⓒ15 ⑥ ≥2016-02-25
5	AE310-350000-000	发动机安装 Cushion assy	1	Ⓐ3 Ⓑ3
6	A300-340000-000	燃油系统 Fuel system	1	
7	A309-360000-000	电控单元总成 ECU assy	1	G51, 见图 1-A, See Fig.1-A
7	A3010-360000-000	电控单元总成 ECU assy	1	G52, 见图 1-A, See Fig.1-A
7	A3011-360000-000	电控单元总成 ECU assy	1	G65J, 见图 1-A, See Fig.1-A
7	A3018-360000-000	电控单元总成 ECU assy	1	G69, 见图 1-A, See Fig.1-A

图 1-A 电控单元总成
Fig.1-A ECU Assy

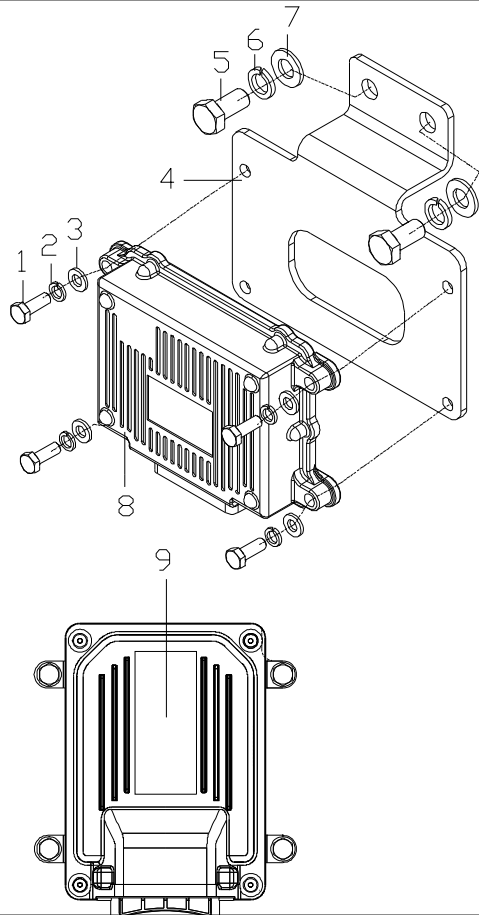
- | | | | |
|---------------------|----------------------|--------------------|---------------------|
| ⓐ CPC30/35/38-AG51 | ⓐ CPCD30/35/38-AG51 | ⓐ CPC20/25-AG51 | ⓐ CPCD20/25-AG51 |
| ⓑ CPC30/35/38-AG52 | ⓑ CPCD30/35/38-AG52 | ⓑ CPC20/25-AG52 | ⓑ CPCD20/25-AG52 |
| ⓒ CPC30/35-AG51-Z | ⓒ CPCD30/35-AXG51 | ⓒ CPC30/35-AXG51 | ⓒ CPCD30/35-AXG52 |
| ⓓ CPC30/35-AXG52 | ⓓ CPC30/35-AG51G-Z | ⓓ CPC30/35-AG65J-Z | ⓓ CPC30/35-AG65JG-Z |
| ⓔ CPC30/35/38-AG65J | ⓔ CPCD30/35/38-AG65J | ⓔ CPC20/25-AG65J | ⓔ CPCD20/25-AG65J |
| ⓕ CPC30/35-AXG65J | ⓕ CPCD30/35-AXG65J | ⓕ CPC30/35-AG69-Z | ⓕ CPC30/35-AG69G-Z |
| ③ CPC20/25-AG69 | ④ CPC30/35/38-AG69 | ④ CPC30/35-AG52-Z | ④ CPC30/35-AG52G-Z |
| | | ⑤ CPCD20/25-AG69 | ⑥ CPCD30/35/38-AG69 |



序号 Item	物料码 Part No.	名称 Description	数量 Qty	备注或适用车型 Remarks or Serial NO..
1	G005783-006025-00	螺栓 M6×25 Bolt M6×25	4	剩余车型 Remaining models
1	G005783-006020-00	螺栓 M6×20 Bolt M6×20	4	ⓔ ⓕ ⓖ ⓗ ⓘ ⓙ ⓚ ⓛ ⓜ ⓝ
2	G000093-000006-00	垫圈 6 Washer 6	4	
3	G0097P1-000006-00	垫圈 6 Washer 6	4	
4	A309-360001-000	ECU 安装支架 ECU Bracket	1	
5	G005783-001025-00	螺栓 M10×25 Bolt M10×25	2	<2016-04-01
5	G005783-00825-00	螺栓 M8×25 Bolt M8×25	2	≥2016-04-01, 剩余车型 Remaining models
5	G005783-00820-00	螺栓 M8×20 Bolt M8×20	2	ⓔ ⓕ ⓖ ⓗ ⓘ ⓙ ⓚ ⓛ ⓜ ⓝ
6	G000093-000010-00	垫圈 10 Washer 10	2	<2016-04-01
6	G000093-000008-00	垫圈 8 Washer 8	2	≥2016-04-01
7	G0097P1-000010-00	垫圈 10 Washer 10	2	<2016-04-01
7	G0097P1-000008-00	垫圈 8 Washer 8	2	≥2016-04-01
8	A309-360002-G00	电控单元 (ECU) ECU	1	G51,G52,序号/Item:8,9 二选一 Choose one

图 1-A 电控单元总成
Fig.1-A ECU Assy

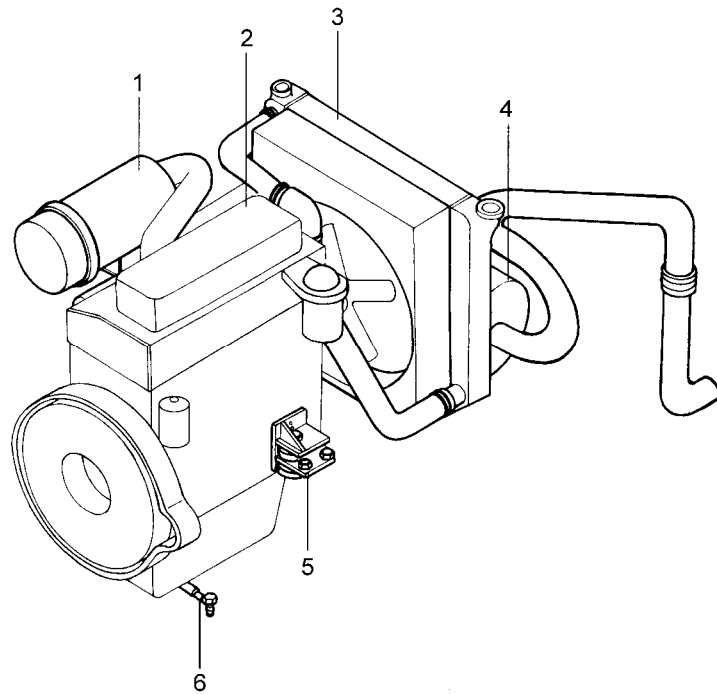
- | | | | |
|-----------------------|-------------------------|---------------------|----------------------|
| ⓐ CPC30/35/38-AG51 | ⓐ1 CPCD30/35/38-AG51 | ⓐ CPC20/25-AG51 | ⓐ1 CPCD20/25-AG51 |
| ⓑ CPC30/35/38-AG52 | ⓑ1 CPCD30/35/38-AG52 | ⓑ CPC20/25-AG52 | ⓑ1 CPCD20/25-AG52 |
| ⓐ2 CPC30/35-AG51-Z | ⓐ3 CPCD30/35-AXG51 | ⓐ4 CPC30/35-AXG51 | ⓐ3 CPCD30/35-AXG51 |
| ⓐ4 CPC30/35-AXG52 | ⓐ5 CPC30/35-AG51G-Z | ⓐ2 CPC30/35-AG65J-Z | ⓐ4 CPC30/35-AG65JG-Z |
| ⓐ U CPC30/35/38-AG65J | ⓐ U1 CPCD30/35/38-AG65J | ⓐ V CPC20/25-AG65J | ⓐ V1 CPCD20/25-AG65J |
| ⓐ6 CPC30/35-AXG65J | ⓐ3 CPCD30/35-AXG65J | ⓐ1 CPC30/35-AG69-Z | ⓐ2 CPC30/35-AG69G-Z |
| ⓐ3 CPC20/25-AG69 | ⓐ4 CPC30/35/38-AG69 | ⓐ5 CPC30/35-AG52-Z | ⓐ6 CPC30/35-AG52G-Z |
| | | ⓐ5 CPCD20/25-AG69 | ⓐ6 CPCD30/35/38-AG69 |



序号 Item	物料码 Part No.	名称 Description	数量 Qty	备注或适用车型 Remarks or Serial NO..
9	A309-360003-G00	电控单元 (ECU) ECU	1	G51,序号/Item:8,9 二选一 Choose one
9	A3010-360003-G00	电控单元 (ECU) ECU	1	G52,序号/Item:8,9 二选一 Choose one
9	A3011-360002-G00	电控单元 (ECU) ECU	1	ⓐ U ⓐ U1 ⓐ V ⓐ V1 ⓐ2 ⓐ4
9	A2A300-360002-G00	电控单元 (ECU) ECU	1	ⓐ1 ⓐ2 ⓐ3 ⓐ4 ⓐ5 ⓐ6

图 2 动力系统
Fig.2 Power system

© CPC30/35/38-AG32 ©1 CPCD30/35/38-AG32 ©2 CPC38-AXG32 ©3 CPCD38-AXG32
 © D CPC20/25-AG32 ©11 CPCD20/25-AG32

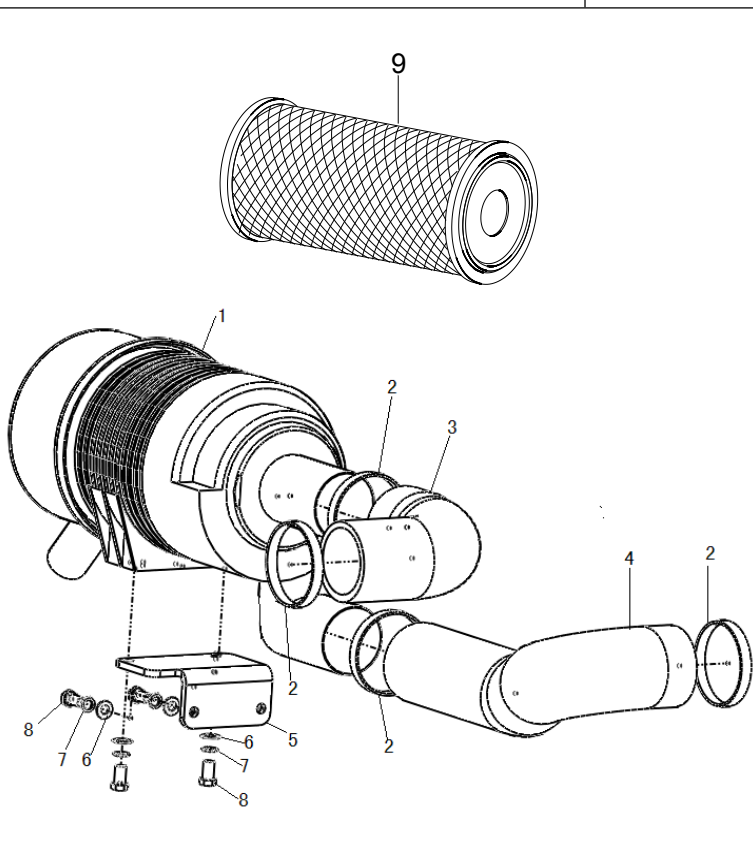


序号 Item	物料码 Part NO.	名称 Description	数量 Qty	备注或适用车型 Remarks or Serial NO..
1	A301-310000-000	进气系统 Air intake system	1	
2	R9617-301000-G00	CA498-06T2/02-182 柴油机 Diesel engine	1	
3	A301-330000-000	冷却系统 Cooling system	1	© © D
3	A311-330000-000	冷却系统 Cooling system	1	©1 ©11
3	AX381-330000-000	冷却系统 Cooling system	1	©2
3	AX391-330000-000	冷却系统 Cooling system	1	©3
4	A301-320000-000	排气系统 Exhaust system	1	© ©1 3.0t-3.8t
4	A251-320000-000	排气系统 Exhaust system	1	© ©11 2.0t-2.5t
4	AX381-320000-000	排气系统 Exhaust system	1	©2 ©3 3.0t-3.8t
5	A301-350000-000	发动机安装 Cushion assy	1	
6	A301-340000-000	燃油系统 Fuel system	1	

图3 进气系统
Fig.3 Air intake system

≤2016-07

- | | | | |
|----------------------|------------------------|----------------------|----------------------|
| Ⓐ CPC30/35/38-AG2 | Ⓐ1 CPCD30/35/38-AG2 | Ⓐ2 CPC30/35-AG2-Z | Ⓐ3 CPCD30/35/38-AG2E |
| Ⓑ CPC20/25-AG2 | Ⓑ1 CPCD20/25-AG2 | | Ⓑ3 CPCD20/25-AG2E |
| Ⓒ CPC30/35/38-AG32 | Ⓒ1 CPCD30/35/38-AG32 | Ⓒ2 CPC38-AXG32 | Ⓒ3 CPCD38-AXG32 |
| Ⓓ CPC20/25-AG32 | Ⓓ1 CPCD20/25-AG32 | Ⓓ2 CPC30/35-AG51-Z | |
| Ⓔ CPC30/35/38-AG51 | Ⓔ1 CPCD30/35/38-AG51 | Ⓔ P CPC20/25-AG51 | Ⓔ1 CPCD20/25-AG51 |
| Ⓕ CPC30/35/38-AG52 | Ⓕ1 CPCD30/35/38-AG52 | Ⓕ R CPC20/25-AG52 | Ⓕ1 CPCD20/25-AG52 |
| Ⓖ4 CPC30/35-AXG51 | Ⓖ3 CPCD30/35-AXG51 | Ⓖ4 CPC30/35-AXG52 | Ⓖ3 CPCD30/35-AXG52 |
| Ⓖ S CPC30/35/38-AG2J | Ⓖ S1 CPCD30/35/38-AG2J | Ⓖ S2 CPC30/35-AG2J-Z | Ⓖ T CPC20/25-AG2J |
| Ⓖ T1 CPCD20/25-AG2J | | | |

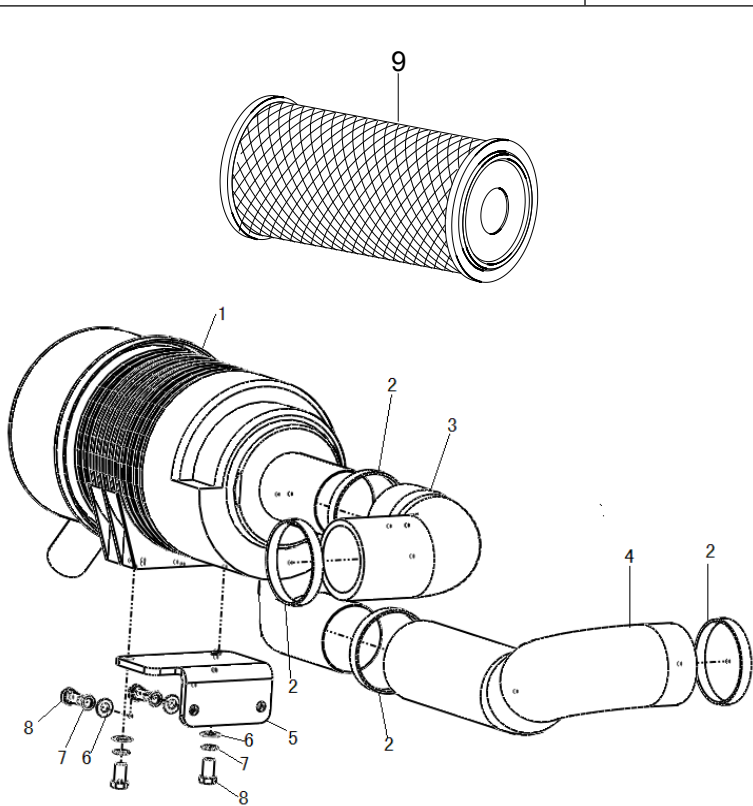


序号 Item	物料码 Part NO.	名称 Description	数量 Qty	备注或适用车型 Remarks or Serial NO..
1	30HB-311000	空气滤清器 Air cleaner	1	剩余车型 Remaining models
1	30DHW15-311000B	空气滤清器 Air cleaner	1	Ⓒ Ⓒ1 Ⓒ2 Ⓒ3 Ⓓ Ⓓ1
2	Q676-76-G00	蜗杆传动式软管环箍 76 Clamp 76	4	
3	A300-310001-000	发动机进气管 Engine air intake pipe	1	剩余车型 Remaining models
3	AX300-310001-000	发动机进气管 Engine air intake pipe	1	Ⓖ4 Ⓖ3 Ⓖ3 Ⓖ4
3	AE310-310001-000	发动机进气管 Engine air intake pipe	1	Ⓐ3 Ⓑ3
3	A301-310001-000	发动机进气管 Engine air intake pipe	1	Ⓒ Ⓒ1 Ⓒ2 Ⓒ3 Ⓓ Ⓓ1
4	A300-310002-000	进气胶管 Air intake pipe	1	
5	30DHW15-400002	空滤器支架 Air cleaner Bracket	1	
6	G0093-000008-00	垫圈 8 Washer 8	4	<2014-07-20
7	G0097P1-000008-00	垫圈 8 Washer 8	4	<2014-07-20
8	G005783-008016-00	螺栓 M8×16 Bolt M8×16	4	<2014-07-20

图3 进气系统
Fig.3 Air intake system

≤2016-07

- | | | | |
|--------------------|----------------------|--------------------|----------------------|
| Ⓐ CPC30/35/38-AG2 | Ⓐ1 CPCD30/35/38-AG2 | Ⓐ2 CPC30/35-AG2-Z | Ⓐ3 CPCD30/35/38-AG2E |
| Ⓑ CPC20/25-AG2 | Ⓑ1 CPCD20/25-AG2 | | Ⓑ3 CPCD20/25-AG2E |
| Ⓒ CPC30/35/38-AG32 | Ⓒ1 CPCD30/35/38-AG32 | Ⓒ2 CPC38-AXG32 | Ⓒ3 CPCD38-AXG32 |
| Ⓓ CPC20/25-AG32 | Ⓓ1 CPCD20/25-AG32 | Ⓓ2 CPC30/35-AG51-Z | |
| Ⓔ CPC30/35/38-AG51 | Ⓔ1 CPCD30/35/38-AG51 | Ⓔ3 CPC20/25-AG51 | Ⓔ4 CPCD20/25-AG51 |
| Ⓕ CPC30/35/38-AG52 | Ⓕ1 CPCD30/35/38-AG52 | Ⓕ2 CPC20/25-AG52 | Ⓕ3 CPCD20/25-AG52 |
| Ⓖ4 CPC30/35-AXG51 | Ⓖ41 CPCD30/35-AXG51 | Ⓖ42 CPC30/35-AXG52 | Ⓖ43 CPCD30/35-AXG52 |
| Ⓗ CPC30/35/38-AG2J | Ⓗ1 CPCD30/35/38-AG2J | Ⓗ2 CPC30/35-AG2J-Z | Ⓗ3 CPC20/25-AG2J |
| Ⓙ1 CPCD20/25-AG2J | | | |

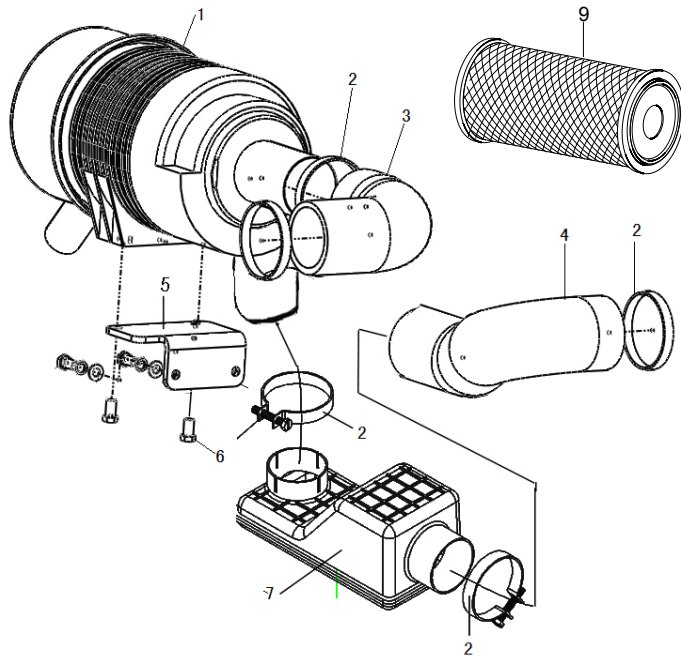


序号 Item	物料码 Part NO.	名称 Description	数量 Qty	备注或适用车型 Remarks or Serial NO..
8	G907417-008016-00	组合螺栓 M8×16 Bolt assy M8×16	4	≥2014-07-20
9	KW1330	滤芯 Filter	1	

图 3-1 进气系统
Fig.3-1 Air intake system

≥2016-07

- | | | | |
|----------------------|-----------------------|---------------------|----------------------|
| Ⓐ CPC30/35/38-AG2 | Ⓐ1 CPCD30/35/38-AG2 | Ⓐ2 CPC30/35-AG2-Z | Ⓐ3 CPC30/35-AG70JG-Z |
| Ⓑ CPC20/25-AG2 | Ⓑ1 CPCD20/25-AG2 | ① CPC30/35-AG69-Z | ② CPC30/35-AG69G-Z |
| Ⓒ CPC30/35/38-AG51 | Ⓒ1 CPCD30/35/38-AG51 | Ⓒ2 CPC30/35-AG51-Z | Ⓒ1 CPCD20/25-AG51 |
| Ⓓ CPC30/35/38-AG52 | Ⓓ1 CPCD30/35/38-AG52 | Ⓓ2 CPC20/25-AG51 | Ⓓ1 CPCD20/25-AG52 |
| Ⓔ4 CPC30/35-AXG51 | Ⓔ3 CPCD30/35-AXG51 | Ⓓ3 CPC20/25-AG52 | Ⓓ3 CPCD30/35-AXG52 |
| Ⓔ5 CPC30/35/38-AG2J | Ⓔ1 CPCD30/35/38-AG2J | Ⓓ4 CPC30/35-AXG52 | Ⓓ4 CPCD20/25-AG2J |
| Ⓔ1 CPCD20/25-AG2J | Ⓔ5 CPC30/35-AG51G-Z | Ⓔ2 CPC30/35-AG2J-Z | Ⓓ5 CPCD20/25-AG65J |
| Ⓓ1 CPC30/35/38-AG65J | Ⓓ1 CPCD30/35/38-AG65J | Ⓓ3 CPC20/25-AG65J | Ⓓ6 CPC30/35-AXG65J |
| Ⓓ2 CPC30/35-AG65J-Z | Ⓓ4 CPC30/35-AG65JG-Z | Ⓓ3 CPCD30/35-AXG65J | Ⓓ6 CPC30/35-AG52G-Z |
| ③ CPC20/25-AG69 | ④ CPC30/35/38-AG69 | Ⓓ5 CPC30/35-AG52-Z | ⑤ CPCD20/25-AG69 |
| | | | ⑥ CPCD30/35/38-AG69 |

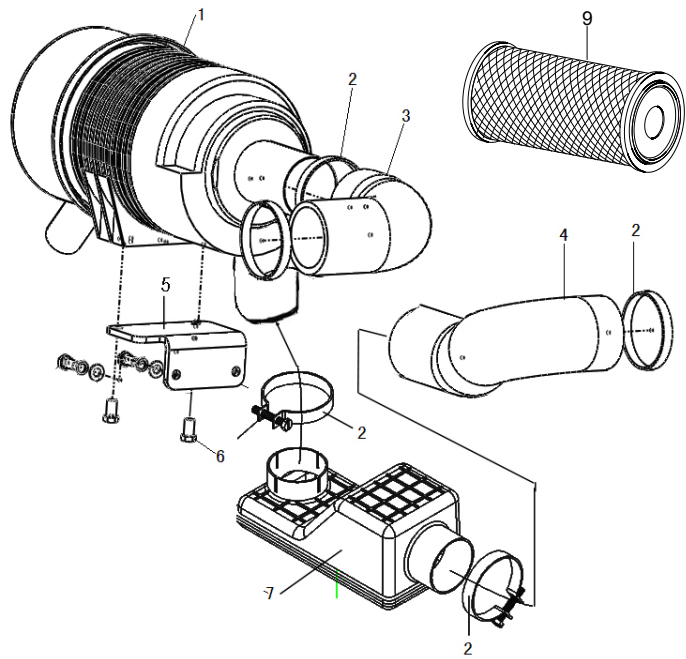


序号 Item	物料码 Part NO.	名称 Description	数量 Qty	备注或适用车型 Remarks or Serial NO..
1	A300-311000-000	空气滤清器 Air cleaner	1	剩余车型 Remaining models
2	Q676-76-G00	蜗杆传动式软管环箍 76 Clamp 76	5	
3	A300-310001-000	发动机进气管 Engine air intake pipe	1	剩余车型 Remaining models
3	AX300-310001-000	发动机进气管 Engine air intake pipe	1	Ⓒ4 Ⓒ3 Ⓒ3 Ⓒ4 Ⓓ3 Ⓓ6
3	AE310-310001-000	发动机进气管 Engine air intake pipe	1	Ⓐ3 Ⓑ3
3	AGZ309-310001-000	发动机进气管 Engine air intake pipe	1	Ⓒ5 Ⓓ4 ② Ⓐ3 Ⓒ6
4	A300-310004-000	进气管 Air intake pipe	1	Ⓒ5 Ⓓ4 ② Ⓐ3 Ⓒ6
4	A300-310004-001	进气管 Air intake pipe	1	除外 Except Ⓒ5 Ⓓ4 ② Ⓐ3 Ⓒ6
5	30DHW15-400002	空滤器支架 Air cleaner Bracket	1	除外 Except Ⓒ5 Ⓓ4 ② Ⓐ3 Ⓒ6
5	A300-310003-000	空滤器支架 Air cleaner Bracket	1	Ⓒ5 Ⓓ4 ② Ⓐ3 Ⓒ6
6	G907417-008016-00	组合螺栓 M8×16 Bolt assy M8×16	4	

图 3-1 进气系统
Fig.3-1 Air intake system

≥2016-07

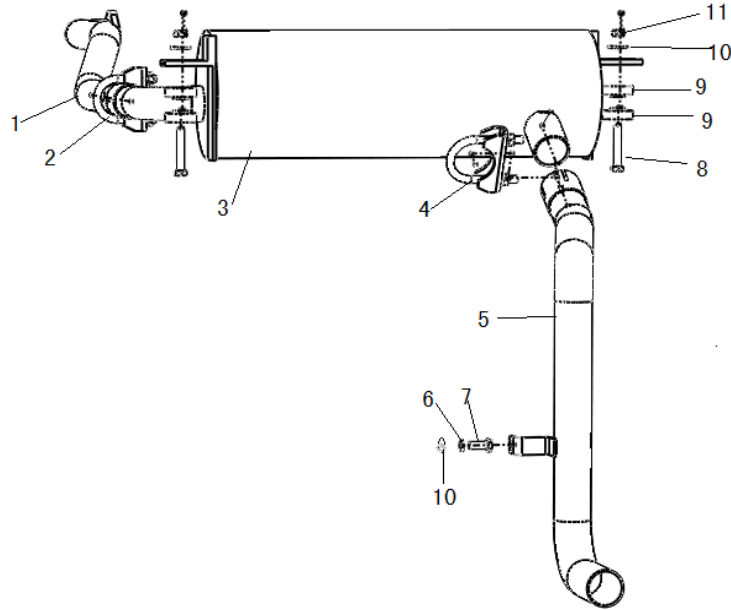
- | | | | |
|-----------------------|-------------------------|----------------------|----------------------|
| Ⓐ CPC30/35/38-AG2 | Ⓐ1 CPCD30/35/38-AG2 | Ⓐ2 CPC30/35-AG2-Z | Ⓐ3 CPC30/35-AG70JG-Z |
| Ⓑ CPC20/25-AG2 | Ⓑ1 CPCD20/25-AG2 | ① CPC30/35-AG69-Z | ② CPC30/35-AG69G-Z |
| Ⓒ CPC30/35/38-AG51 | Ⓒ1 CPCD30/35/38-AG51 | Ⓒ2 CPC30/35-AG51-Z | Ⓒ11 CPCD20/25-AG51 |
| Ⓓ CPC30/35/38-AG52 | Ⓓ1 CPCD30/35/38-AG52 | Ⓓ2 CPC20/25-AG51 | Ⓓ11 CPCD20/25-AG52 |
| Ⓔ CPC30/35-AXG51 | Ⓔ1 CPCD30/35-AXG51 | Ⓓ3 CPC20/25-AG52 | Ⓓ33 CPCD30/35-AXG52 |
| Ⓕ CPC30/35/38-AG2J | Ⓕ1 CPCD30/35/38-AG2J | Ⓔ4 CPC30/35-AXG52 | Ⓓ4 CPC20/25-AG2J |
| Ⓖ1 CPCD20/25-AG2J | Ⓔ5 CPC30/35-AG51G-Z | Ⓔ5 CPC30/35-AG2J-Z | Ⓖ11 CPCD20/25-AG65J |
| Ⓖ11 CPC30/35/38-AG65J | Ⓖ111 CPCD30/35/38-AG65J | Ⓖ112 CPC20/25-AG65J | Ⓖ113 CPC30/35-AXG65J |
| Ⓖ2 CPC30/35-AG65J-Z | Ⓖ24 CPC30/35-AG65JG-Z | Ⓖ23 CPCD30/35-AXG65J | Ⓖ26 CPC30/35-AG52G-Z |
| ③ CPC20/25-AG69 | ④ CPC30/35/38-AG69 | Ⓖ5 CPCD20/25-AG69 | ⑥ CPCD30/35/38-AG69 |



序号 Item	物料码 Part NO.	名称 Description	数量 Qty	备注或适用车型 Remarks or Serial NO..
7	A300-312000-000	进气消声器 Air inlet muffler	1	
9	KW1330	滤芯 Filter	1	

图4 排气系统
Fig.4 Exhaust system

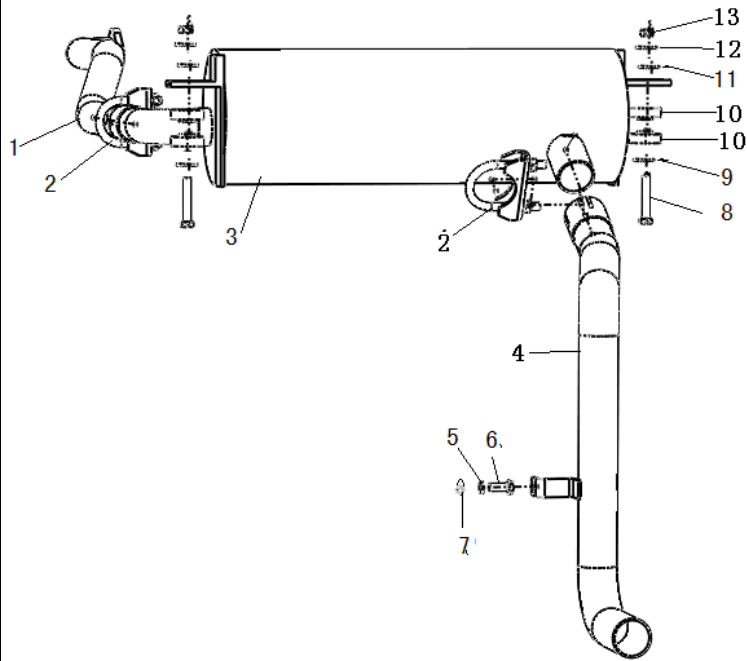
Ⓐ CPC30/35/38-AG2 Ⓐ1 CPCD30/35/38-AG2 Ⓑ CPC20/25-AG2 Ⓑ1 CPCD20/25-AG2
 Ⓐ2 CPC30/35-AG2-Z Ⓒ CPC30/35/38-AG2J Ⓒ1 CPCD30/35/38-AG2J Ⓒ2 CPC30/35-AG2J-Z
 Ⓓ CPC20/25-AG2J Ⓓ1 CPCD20/25-AG2J



序号 Item	物料码 Part No.	名称 Description	数量 Qty	备注或适用车型 Remarks or Serial NO..
1	A300-321000-000	排气管 Exhaust pipe	1	
2	QY125-323000-000	抱箍 Clamp	1	
3	A300-322000-000	消声器总成 Muffler assy	1	
4	N163-324000-000	抱箍 Clamp	1	
5	A300-323000-000	排气尾管 Exhaust pipe	1	Ⓐ Ⓐ1 Ⓐ2 Ⓒ Ⓒ1 Ⓒ2 3.0t-3.8t < 2020-06-01
5	A300-323000-001	排气尾管 Exhaust pipe	1	Ⓐ Ⓐ1 Ⓐ2 Ⓒ Ⓒ1 Ⓒ2 3.0t ≥ 2020-06-01
5	A350-323000-000	排气尾管 Exhaust pipe	1	Ⓐ Ⓐ1 Ⓐ2 Ⓒ Ⓒ1 Ⓒ2 3.5t-3.8t ≥ 2020-06-01
5	A250-323000-000	排气尾管 Exhaust pipe	1	Ⓑ Ⓑ1 Ⓓ Ⓓ1
5	A250-323000-001	排气尾管 Exhaust pipe	1	Ⓑ Ⓑ1 Ⓓ Ⓓ1 2.0t-2.5t ≥ 2020-06-01
6	G000093-000008-00	垫圈 8 Washer 8	1	
7	G005783-008016-00	螺栓 M8×16 Bolt M8×16	1	
8	G005782-008050-00	螺栓 M8×50 Bolt M8×50	2	
9	30DH-322000-000	环状减震垫 Ringlike dampener	4	
10	G0097P1-000008-00	垫圈 8 Washer 8	5	
11	G001337-000008-00	螺母 M8 Nut M8	2	

图 4-1 排气系统
Fig.4-1 Exhaust system

- ⓐ CPC30/35/38-AG51 ⓐ1 CPCD30/35/38-AG51 ⓐ CPC20/25-AG51 ⓐ1 CPCD20/25-AG51
- ⓑ CPC30/35/38-AG52 ⓑ1 CPCD30/35/38-AG52 ⓑ CPC20/25-AG52 ⓑ1 CPCD20/25-AG52
- ⓒ CPC30/35-AG51-Z ⓒ CPC30/35-AXG51 ⓒ CPCD30/35-AXG51 ⓒ CPC30/35-AXG52
- ⓓ CPCD30/35-AXG52 ⓓ1 CPC30/35-AG51G-Z ⓓ1 CPC30/35/38-AG65J ⓓ1 CPCD30/35/38-AG65J
- ⓔ CPC20/25-AG65J ⓔ1 CPCD20/25-AG65J ⓔ2 CPC30/35-AG65J-Z ⓔ4 CPC30/35-AG65JG-Z
- ⓕ CPCD30/35-AXG65J ⓕ6 CPC30/35-AXG65J ⓕ1 CPC30/35-AG69-Z ⓕ2 CPC30/35-AG69G-Z
- ⓖ CPC30/35-AG70JG-Z ⓖ5 CPC30/35-AG52-Z ⓖ6 CPC30/35-AG52G-Z ⓖ3 CPC20/25-AG69
- ⓗ CPC30/35/38-AG69 ⓗ5 CPCD20/25-AG69 ⓗ6 CPCD30/35/38-AG69



序号 Item	物料码 Part No.	名称 Description	数量 Qty	备注或适用车型 Remarks or Serial NO..
1	A309-321000-000	排气管 Exhaust pipe	1	剩余车型 Remaining models
1	AX309-321000-000	排气管 Exhaust pipe	1	ⓐ4 ⓐ3 ⓐ3 ⓐ4 ⓐ3 ⓐ6
1	AGZ309-321000-000	排气管 Exhaust pipe	1	ⓓ5 ⓔ4 ② ⓖ3 ⓖ6
2	N163-324000-000	抱箍 Clamp	2	
3	A302-322000-000	消声器总成 Muffler assy	1	剩余车型 Remaining models
3	AX309-322000-000	消声器总成 Muffler assy	1	ⓐ4 ⓐ3 ⓐ3 ⓐ4 ⓐ3 ⓐ6
4	A300-323000-000	排气尾管 Exhaust pipe	1	ⓐ ⓐ1 ⓑ ⓑ1 ⓑ2 3.0t-3.8t < 2020-06-01
4	A300-323000-001	排气尾管 Exhaust pipe	1	ⓐ ⓐ1 ⓑ ⓑ1 ⓑ2 ④ ⑥ 3.0t ≥ 2020-06-01
4	A350-323000-000	排气尾管 Exhaust pipe	1	3.5t-3.8t ≥ 2020-06-01 及所有出租车
4	A250-323000-000	排气尾管 Exhaust pipe	1	ⓐ ⓐ1 ⓑ ⓑ1 2.0t-2.5t < 2020-06-01
4	A250-323000-001	排气尾管 Exhaust pipe	1	ⓐ ⓐ1 ⓑ ⓑ1 ③ ⑤ 2.0t-2.5t ≥ 2020-06-01
4	AX300-323000-000	排气尾管 Exhaust pipe	1	ⓐ4 ⓐ3 ⓐ3 ⓐ4 ⓐ3 ⓐ6 3.0t-3.5t
5	G000093-000008-00	垫圈 8 Washer 8	1	

图 4-1 排气系统
Fig.4-1 Exhaust system

- | | | | |
|---------------------|---------------------|---------------------|----------------------|
| ① CPC30/35/38-AG51 | ⑩ CPCD30/35/38-AG51 | Ⓟ CPC20/25-AG51 | Ⓟ CPCD20/25-AG51 |
| ② CPC30/35/38-AG52 | ⑪ CPCD30/35/38-AG52 | Ⓠ CPC20/25-AG52 | Ⓠ CPCD20/25-AG52 |
| ③ CPC30/35-AG51-Z | ⑫ CPC30/35-AXG51 | Ⓡ CPCD30/35-AXG51 | Ⓡ CPC30/35-AXG52 |
| ④ CPCD30/35-AXG52 | ⑬ CPC30/35-AG51G-Z | Ⓢ CPC30/35/38-AG65J | Ⓢ CPCD30/35/38-AG65J |
| ⑤ CPC20/25-AG65J | ⑭ CPCD20/25-AG65J | Ⓣ CPC30/35-AG65J-Z | Ⓣ CPC30/35-AG65JG-Z |
| ⑥ CPCD30/35-AXG65J | ⑮ CPC30/35-AXG65J | ① CPC30/35-AG69-Z | ② CPC30/35-AG69G-Z |
| ⑦ CPC30/35-AG70JG-Z | ⑯ CPC30/35-AG52-Z | ③ CPC30/35-AG52G-Z | ③ CPC20/25-AG69 |
| ⑧ CPC30/35/38-AG69 | ⑰ CPCD20/25-AG69 | ④ CPCD30/35/38-AG69 | |

序号 Item	物料码 Part No.	名称 Description	数量 Qty	备注或适用车型 Remarks or Serial NO..
6	G005783-008016-00	螺栓 M8×16 Bolt M8×16	1	
7	G0097P1-000008-00	垫圈 8 Washer 8	1	
8	A309-320001-000	螺栓 Bolt	2	
9	G000096-000010-00	垫圈 10 Washer10	2	
10	A309-320003-000	缓冲垫 dampener	4	
11	A309-320002-000	垫圈 Washer	2	
12	G000096-000008-00	垫圈 8 Washer 8	2	
13	G001337-000008-00	螺母 M8 Nut M8	2	

图5 排气系统
Fig.5 Exhaust system

© CPC30/35/38-AG32 © CPCD30/35/38-AG32 © CPC38-AXG32 © CPCD38-AXG32
 © CPC20/25-AG32 © CPCD20/25-AG32

	序号 Item	物料码 Part No.	名称 Description	数量 Qty	备注或适用车型 Remarks or Serial NO..
	1	A301-321000-000	排气管 Exhaust pipe	1	<2013-01, © ©1 ©D ©1
	1	A301-321000-001	排气管 Exhaust pipe	1	≥2013-02, © ©1 ©D ©1
	1	AX381-321000-000	排气管 Exhaust pipe	1	©2 ©3
	2	QY125-323000-000	抱箍 Clamp	1	
	3	A301-322000-000	消声器总成 Muffler assy	1	<2013-01, © ©1 ©D ©1
	3	A301-322000-001	消声器总成 Muffler assy	1	≥2013-02, © ©1 ©D ©1
	3	AX381-322000-000	消声器总成 Muffler assy	1	©2 ©3
	4	N163-324000-000	抱箍 Clamp	1	
	5	A301-323000-000	排气尾管 Exhaust pipe	1	© ©1 3.0t-3.8t
	5	A251-323000-000	排气尾管 Exhaust pipe	1	©D ©1 2.0t-2.5t
	5	AX381-323000-000	排气尾管 Exhaust pipe	1	©2 ©3
	6	G000093-000008-00	垫圈 8 Washer 8	1	
	7	G005783-008016-00	螺栓 M8×16 Bolt M8×16	1	
	8	G005782-008050-00	螺栓 M8×50 Bolt M8×50	2	
9	30DH-322000-000	环状减震垫 Ringlike dampener	4		

图5 排气系统
Fig.5 Exhaust system

© CPC30/35/38-AG32 © CPCD30/35/38-AG32 © CPC38-AXG32 © CPCD38-AXG32
 © CPC20/25-AG32 © CPCD20/25-AG32

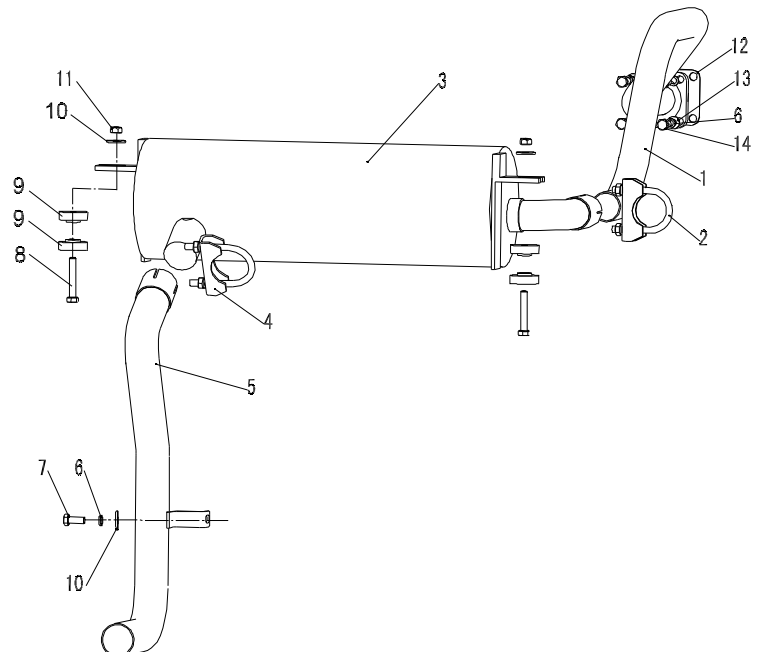
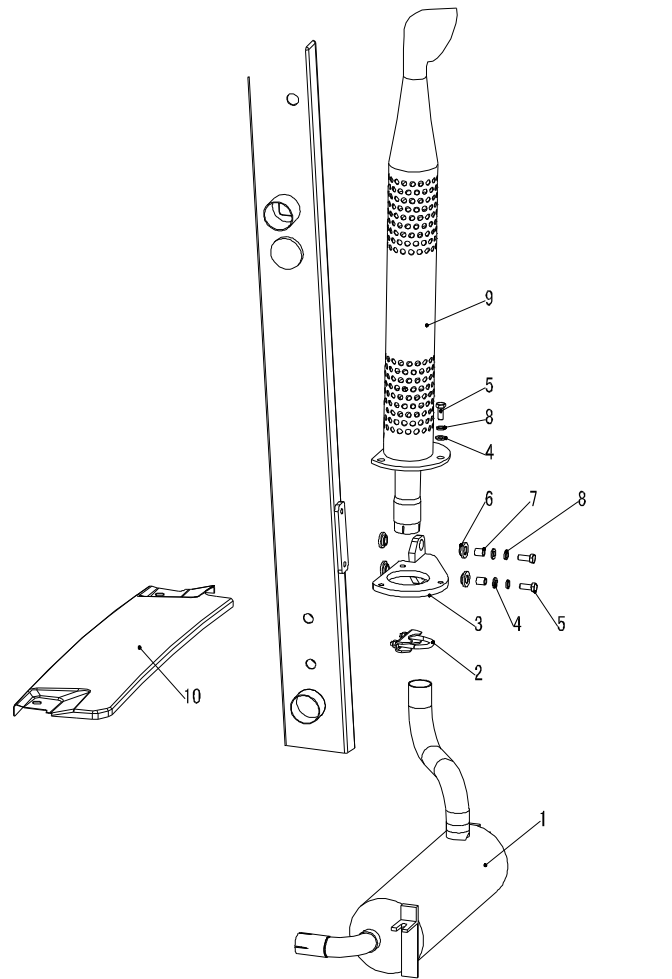
	序号 Item	物料码 Part No.	名称 Description	数量 Qty	备注或适用车型 Remarks or Serial NO..
	10	G0097P1-000008-00	垫圈 8 Washer 8	3	
	11	G001337-000008-00	螺母 M8 Nut M8	2	
	12	R9617-320001-000	垫片 washer	4	
	13	G0097P1-000008-00	垫圈 8 Washer 8	4	
	14	G005783-008025-00	螺栓 M8×25 Bolt M8×25	4	

图6 高位排气系统 (2t-3.8t)
Fig.6 High Exhaust system (2t-3.8t)

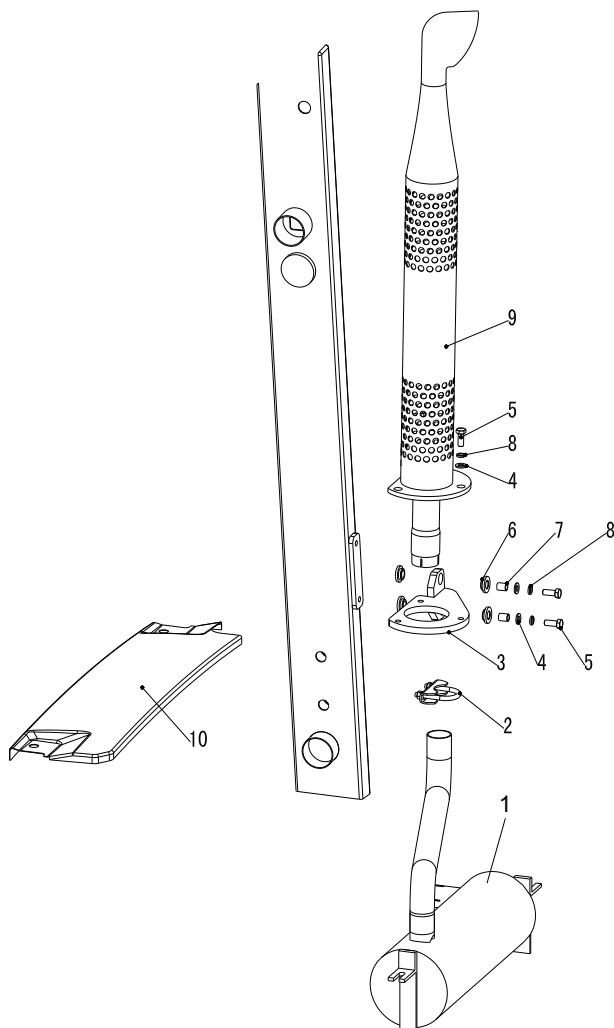
- | | | | |
|--------------------|----------------------------------|--------------------------------|----------------------------------|
| Ⓐ CPC30/35/38-AG2 | Ⓐ ₁ CPCD30/35/38-AG2 | Ⓐ ₂ CPC30/35-AG2-Z | Ⓐ ₃ CPCD30/35/38-AG2E |
| Ⓑ CPC20/25-AG2 | Ⓑ ₁ CPCD20/25-AG2 | Ⓑ ₂ CPC30/35-AG51-Z | Ⓑ ₃ CPCD20/25-AG2E |
| Ⓒ CPC30/35/38-AG51 | Ⓒ ₁ CPCD30/35/38-AG51 | Ⓒ ₂ CPC20/25-AG51 | Ⓒ ₃ CPCD20/25-AG51 |
| Ⓖ CPC30/35/38-AG52 | Ⓖ ₁ CPCD30/35/38-AG52 | Ⓖ ₂ CPC20/25-AG52 | Ⓖ ₃ CPCD20/25-AG52 |
| Ⓒ CPC30/35/38-AG2J | Ⓒ ₁ CPCD30/35/38-AG2J | Ⓒ ₂ CPC30/35-AG2J-Z | Ⓒ ₃ CPCD20/25-AG2J |
| Ⓓ CPCD20/25-AG2J | | | |



序号 Item	物料码 Part No.	名称 Description	数量 Qty	备注或适用车型 Remarks or Serial NO..
1	A300-322000-520	消声器总成 Muffler assy	1	Ⓐ Ⓐ ₁ Ⓐ ₂ Ⓐ ₃ Ⓑ Ⓑ ₁ Ⓑ ₃ Ⓒ Ⓒ ₁ Ⓒ ₂ Ⓒ ₃ Ⓓ
1	A302-322000-520	消声器总成 Muffler assy	1	Ⓒ Ⓒ ₁ Ⓖ Ⓖ ₁ Ⓖ ₂ Ⓖ ₃ Ⓓ Ⓒ ₃ Ⓑ ₂
2	R9615-323000-000	抱箍 Clamp	1	
3	A300-324100-520	安装支座 Bracket	1	
4	G000096-000010-00	垫圈 10 Washer 10	5	
5	G005783-010025-00	螺栓 M10×25 Bolt M10×25	5	
6	R453-320001-000	减振垫 Ringlike dampener	4	
7	R453-320002-000	套管 Pipe	2	
8	G000093-000010-00	垫圈 10 Washer 10	5	
9	XF250-323000-520	排气尾管 Exhaust pipe	1	2.0t-3.5t
9	A380-324200-520	排气尾管 Exhaust pipe	1	3.8t
10	A300-430002-520	水箱盖板 Radiator assy cover	1	

图7 高位排气系统 (2t-3.8t)
Fig.7 High Exhaust system (2t-3.8t)

© CPC30/35/38-AG32 © CPCD30/35/38-AG32 © CPC20/25-AG32 © CPCD20/25-AG32



序号 Item	物料码 Part No.	名称 Description	数量 Qty	备注或适用车型 Remarks or Serial NO..
1	A301-322000-520	消声器总成 Muffler assy	1	<2013-01
1	A301-322000-521	消声器总成 Muffler assy	1	≥2013-02
2	R9615-323000-000	抱箍 Clamp	1	
3	A300-324100-520	安装支座 Bracket	1	
4	G000096-000010-00	垫圈 10 Washer 10	5	
5	G005783-010025-00	螺栓 M10×25 Bolt M10×25	5	
6	R453-320001-000	减振垫 Ringlike dampener	4	
7	R453-320002-000	套管 Pipe	2	
8	G000093-000010-00	垫圈 10 Washer 10	5	
9	XF250-323000-520	排气尾管 Exhaust pipe	1	2.0t-3.5t
9	A380-324200-520	排气尾管 Exhaust pipe	1	3.8t
10	A300-430002-520	水箱盖板 Radiator assy cover	1	

图 8 冷却系统
Fig.8 Cooling system

- | | | | |
|----------------------------------|----------------------------------|----------------------------------|-----------------------------------|
| Ⓐ CPC30/35/38-AG2 | Ⓐ ₁ CPCD30/35/38-AG2 | Ⓐ ₂ CPC30/35-AG2-Z | Ⓐ ₃ CPCD30/35/38-AG2E |
| Ⓑ CPC20/25-AG2 | Ⓑ ₁ CPCD20/25-AG2 | Ⓒ ₂ CPC30/35-AG51-Z | Ⓑ ₃ CPCD20/25-AG2E |
| Ⓒ CPC30/35/38-AG51 | Ⓒ ₁ CPCD30/35/38-AG51 | Ⓖ CPC20/25-AG51 | Ⓖ ₁ CPCD20/25-AG51 |
| Ⓖ CPC30/35/38-AG52 | Ⓖ ₁ CPCD30/35/38-AG52 | Ⓖ ₂ CPC20/25-AG52 | Ⓖ ₁ CPCD20/25-AG52 |
| Ⓖ ₄ CPC30/35-AXG51 | Ⓖ ₃ CPCD30/35-AXG51 | Ⓖ ₄ CPC30/35-AXG52 | Ⓖ ₃ CPCD30/35-AXG52 |
| Ⓖ ₅ CPC30/35/38-AG2J | Ⓖ ₁ CPCD30/35/38-AG2J | Ⓖ ₂ CPC30/35-AG2J-Z | Ⓖ ₁ CPCD20/25-AG2J |
| Ⓖ ₁ CPCD20/25-AG2J | Ⓖ ₉ CPC30/35-AG51G-Z | Ⓖ ₁ CPC30/35/38-AG65J | Ⓖ ₁ CPCD30/35/38-AG65J |
| Ⓖ ₁ CPC20/25-AG65J | Ⓖ ₁ CPCD20/25-AG65J | Ⓖ ₂ CPC30/35-AG65J-Z | Ⓖ ₄ CPC30/35-AG65JG-Z |
| Ⓖ ₆ CPC30/35-AXG65J | Ⓖ ₃ CPCD30/35-AXG65J | Ⓖ ₁ CPC30/35-AG69-Z | Ⓖ ₂ CPC30/35-AG69G-Z |
| Ⓖ ₃ CPC30/35-AG70JG-Z | Ⓖ ₅ CPC30/35-AG52-Z | Ⓖ ₆ CPC30/35-AG52G-Z | ③ ④ ⑤ ⑥ |

序号 Item	物料码 Part No.	名称 Description	数量 Qty	备注或适用车型 Remarks or Serial NO..
1	Q672-50-G00	双钢丝式环箍 50 Clamp 50	2	
2	N150-330001-000	散热器进水管 Rubber pipe for inlet	1	Ⓐ Ⓐ ₁ Ⓐ ₂ Ⓖ Ⓖ ₁ Ⓖ ₂ Ⓒ Ⓒ ₁ Ⓒ ₂ Ⓖ ₁ Ⓖ ₁ ① Ⓖ Ⓖ ₁ Ⓖ ₂ Ⓖ ₅ ④ ⑥
2	AX309-330001-000	散热器进水管 Rubber pipe for inlet	1	Ⓖ ₄ Ⓖ ₃ Ⓖ ₃ Ⓖ ₄ Ⓖ ₆ Ⓖ ₃
2	A250-330001-000	散热器进水管 Rubber pipe for inlet	1	Ⓑ Ⓑ ₁ Ⓖ Ⓖ ₁ ③ ⑤ Ⓖ Ⓖ ₁ Ⓖ ₂ Ⓖ ₁ Ⓖ ₁
2	AE310-330001-000	散热器进水管 Rubber pipe for inlet	1	Ⓐ ₃ Ⓑ ₃
2	AGZ309-330001-000	散热器进水管 Rubber pipe for inlet	1	Ⓖ ₉ Ⓖ ₄ ② Ⓖ ₃ Ⓖ ₆
3	Q672-45-G00	双钢丝式环箍 45 Clamp 45	2	
4	A250-332000-000	护风圈总成 Fan shroud assy	1	Ⓑ Ⓖ , (Ⓑ ₁ < 2015-09-21)
4	A260-332000-000	护风圈总成 Fan shroud assy	1	Ⓑ ₁ Ⓖ ₁ ≥ 2015-09-21
4	N150-332000-001	护风圈总成 Fan shroud assy	1	Ⓐ Ⓐ ₂ Ⓖ Ⓖ ₂ , (Ⓐ ₁ < 2015-09-21) N150-332000-000

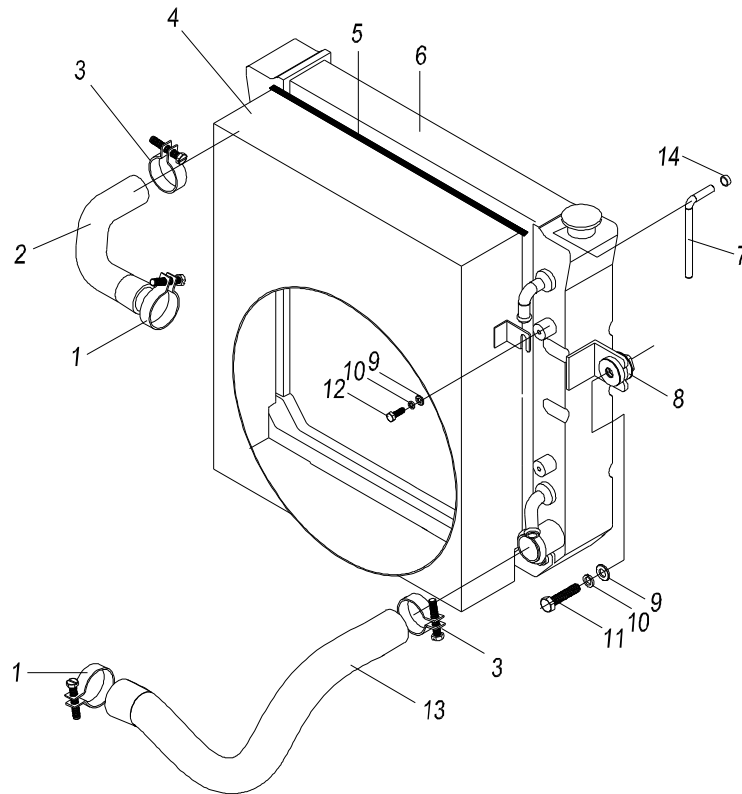


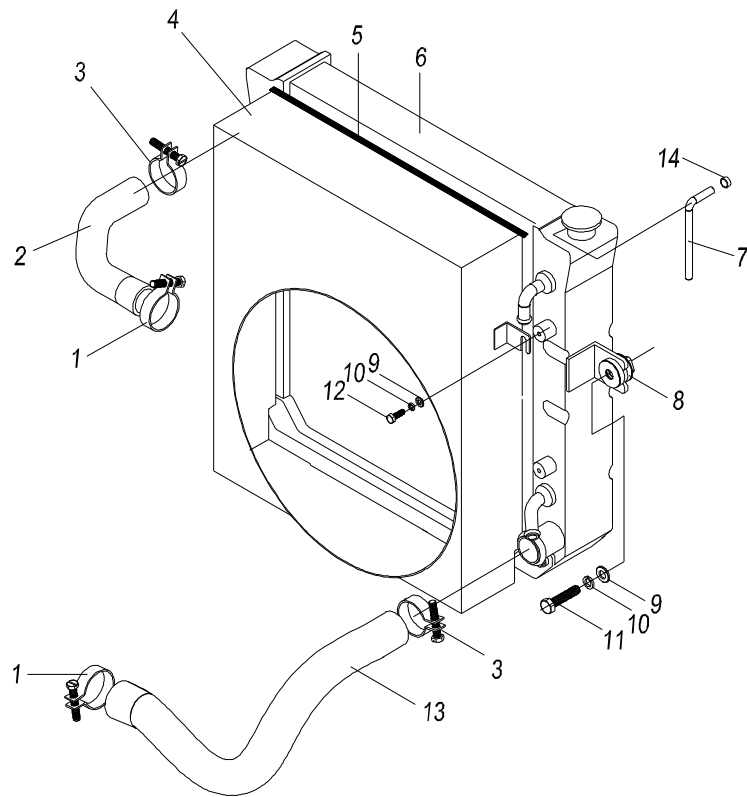
图8 冷却系统
Fig.8 Cooling system

- | | | | |
|----------------------------------|----------------------------------|----------------------------------|-----------------------------------|
| Ⓐ CPC30/35/38-AG2 | Ⓐ ₁ CPCD30/35/38-AG2 | Ⓐ ₂ CPC30/35-AG2-Z | Ⓐ ₃ CPCD30/35/38-AG2E |
| Ⓑ CPC20/25-AG2 | Ⓑ ₁ CPCD20/25-AG2 | Ⓑ ₂ CPC30/35-AG51-Z | Ⓑ ₃ CPCD20/25-AG2E |
| Ⓒ CPC30/35/38-AG51 | Ⓒ ₁ CPCD30/35/38-AG51 | Ⓒ CPC20/25-AG51 | Ⓒ ₁ CPCD20/25-AG51 |
| Ⓖ CPC30/35/38-AG52 | Ⓖ ₁ CPCD30/35/38-AG52 | Ⓖ CPC20/25-AG52 | Ⓖ ₁ CPCD20/25-AG52 |
| Ⓖ ₄ CPC30/35-AXG51 | Ⓖ ₃ CPCD30/35-AXG51 | Ⓖ ₄ CPC30/35-AXG52 | Ⓖ ₃ CPCD30/35-AXG52 |
| Ⓖ ₅ CPC30/35/38-AG2J | Ⓖ ₁ CPCD30/35/38-AG2J | Ⓖ ₂ CPC30/35-AG2J-Z | Ⓖ ₁ CPC20/25-AG2J |
| Ⓖ ₁ CPCD20/25-AG2J | Ⓖ ₉ CPC30/35-AG51G-Z | Ⓖ ₁ CPC30/35/38-AG65J | Ⓖ ₁ CPCD30/35/38-AG65J |
| Ⓖ ₁ CPC20/25-AG65J | Ⓖ ₁ CPCD20/25-AG65J | Ⓖ ₂ CPC30/35-AG65J-Z | Ⓖ ₄ CPC30/35-AG65JG-Z |
| Ⓖ ₆ CPC30/35-AXG65J | Ⓖ ₃ CPCD30/35-AXG65J | Ⓖ ₁ CPC30/35-AG69-Z | Ⓖ ₂ CPC30/35-AG69G-Z |
| Ⓖ ₃ CPC30/35-AG70JG-Z | Ⓖ ₅ CPC30/35-AG52-Z | Ⓖ ₆ CPC30/35-AG52G-Z | ③ ④ ⑤ ⑥ |

序号 Item	物料码 Part No.	名称 Description	数量 Qty	备注或适用车型 Remarks or Serial NO..
4	R960-332000-001	护风圈总成 Fan shroud assy	1	Ⓐ ₁ Ⓖ ₁ ≥2015-09-21
4	AE310-332000-000	护风圈总成 Fan shroud assy	1	Ⓐ ₃ Ⓑ ₃
4	A259-332000-000	护风圈总成 Fan shroud assy	1	Ⓒ Ⓖ ₁ Ⓖ ₃
4	A269-332000-000	护风圈总成 Fan shroud assy	1	Ⓒ ₁ Ⓖ ₁ Ⓖ ₃ Ⓖ ₅
4	A309-332000-000	护风圈总成 Fan shroud assy	1	Ⓒ Ⓖ ₁ Ⓖ ₂ Ⓖ ₃ Ⓖ ₄ Ⓖ ₆ Ⓖ ₉ Ⓖ ₁ Ⓖ ₁ Ⓖ ₄
4	AX309-332000-000	护风圈总成 Fan shroud assy	1	Ⓖ ₄ Ⓖ ₃ Ⓖ ₃ Ⓖ ₄ Ⓖ ₆ Ⓖ ₃ Ⓖ ₆
4	A319-332000-000	护风圈总成 Fan shroud assy	1	Ⓒ ₁ Ⓖ ₁ Ⓖ ₁
4	AGZ309-332000-000	护风圈总成 Fan shroud assy	1	Ⓖ ₉ Ⓖ ₂ Ⓖ ₄ Ⓖ ₂ Ⓖ ₃
5	N163-330003-000	密封条 Seal strip	1	
6	N150-334000-001	散热器总成 Radiator assy	1	Ⓐ Ⓑ Ⓐ ₂ Ⓒ Ⓒ ₁ Ⓒ ₂ Ⓒ ₃ Ⓒ ₄ Ⓖ ₁ Ⓖ ₃ Ⓖ ₄ Ⓖ ₆ Ⓖ ₃ Ⓖ ₆ Ⓖ ₁ Ⓖ ₁ Ⓖ ₄ N1
6	N160-334000-001	散热器总成 Radiator assy	1	Ⓐ ₁ Ⓑ ₁ N160-334000-000 <2015-09-21
6	R9621-331000-000	散热器总成 Radiator assy	1	Ⓐ ₁ Ⓑ ₁ ≥2015-09-21

图 8 冷却系统
Fig.8 Cooling system

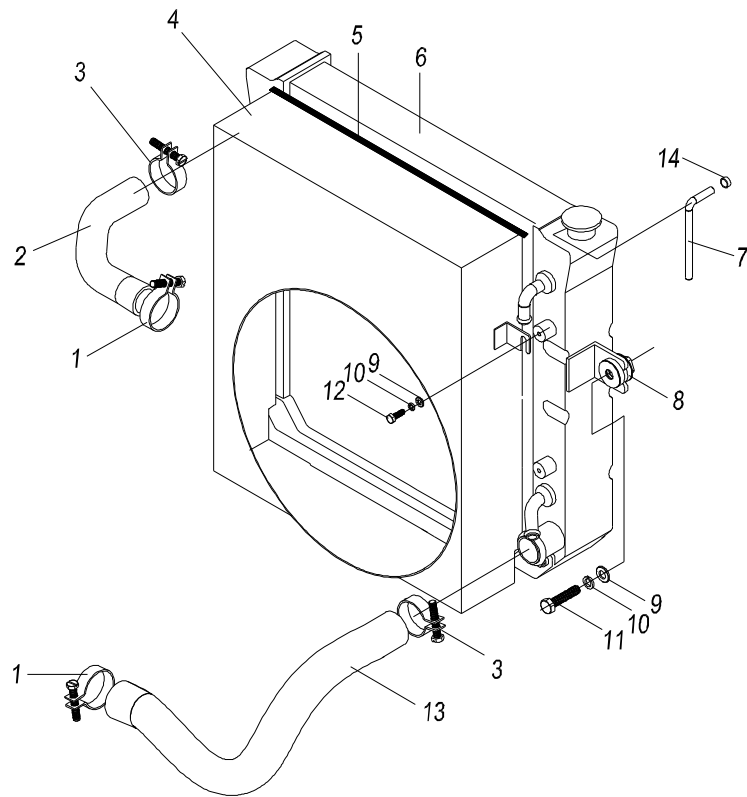
- | | | | |
|----------------------------------|---|---|--|
| Ⓐ CPC30/35/38-AG2 | Ⓐ ₁ CPCD30/35/38-AG2 | Ⓐ ₂ CPC30/35-AG2-Z | Ⓐ ₃ CPCD30/35/38-AG2E |
| Ⓑ CPC20/25-AG2 | Ⓑ ₁ CPCD20/25-AG2 | Ⓑ ₂ CPC30/35-AG51-Z | Ⓑ ₃ CPCD20/25-AG2E |
| Ⓒ CPC30/35/38-AG51 | Ⓒ ₁ CPCD30/35/38-AG51 | Ⓒ ₂ CPC20/25-AG51 | Ⓒ ₃ CPCD20/25-AG51 |
| Ⓖ CPC30/35/38-AG52 | Ⓖ ₁ CPCD30/35/38-AG52 | Ⓖ ₂ CPC20/25-AG52 | Ⓖ ₃ CPCD20/25-AG52 |
| Ⓖ ₄ CPC30/35-AXG51 | Ⓖ ₄ ₁ CPCD30/35-AXG51 | Ⓖ ₄ ₂ CPC30/35-AXG52 | Ⓖ ₄ ₃ CPCD30/35-AXG52 |
| Ⓖ ₅ CPC30/35/38-AG2J | Ⓖ ₅ ₁ CPCD30/35/38-AG2J | Ⓖ ₅ ₂ CPC30/35-AG2J-Z | Ⓖ ₅ ₃ CPCD20/25-AG2J |
| Ⓖ ₆ CPCD20/25-AG2J | Ⓖ ₆ ₁ CPC30/35-AG51G-Z | Ⓖ ₆ ₂ CPC30/35/38-AG65J | Ⓖ ₆ ₃ CPCD30/35/38-AG65J |
| Ⓖ ₇ CPC20/25-AG65J | Ⓖ ₇ ₁ CPCD20/25-AG65J | Ⓖ ₇ ₂ CPC30/35-AG65J-Z | Ⓖ ₇ ₃ CPC30/35-AG65JG-Z |
| Ⓖ ₈ CPC30/35-AXG65J | Ⓖ ₈ ₁ CPCD30/35-AXG65J | Ⓖ ₈ ₂ CPC30/35-AG69-Z | Ⓖ ₈ ₃ CPC30/35-AG69G-Z |
| Ⓖ ₉ CPC30/35-AG70JG-Z | Ⓖ ₉ ₁ CPC30/35-AG52-Z | Ⓖ ₉ ₂ CPC30/35-AG52G-Z | ③ ④ ⑤ ⑥ |



序号 Item	物料码 Part No.	名称 Description	数量 Qty	备注或适用车型 Remarks or Serial NO..
6	R9621-331000-000	散热器总成 Radiator assy	1	Ⓐ ₃ Ⓑ ₃ Ⓒ ₁ Ⓖ ₁ Ⓖ ₅ Ⓖ ₆ Ⓖ ₆ ₁ Ⓖ ₆ ₂ Ⓖ ₆ ₃
6	R957-331000-001	散热器总成 Radiator assy	1	Ⓖ ₄ Ⓖ ₄ ₁ Ⓖ ₄ ₂
6	AX319-331000-000	散热器总成 Radiator assy	1	Ⓖ ₇ Ⓖ ₇ ₁ Ⓖ ₇ ₂
6	AGZ309-331000-000	散热器总成 Radiator assy	1	Ⓖ ₈ Ⓖ ₈ ₁ Ⓖ ₈ ₂ Ⓖ ₈ ₃
7	A300-330003-W00	输水胶管 φ8×φ12 Rubber pipe φ8×φ12	1	N121-330003-W00 <2015-09-21
7	N042-330001-W00	输水胶管 φ8×φ12 Rubber pipe φ8×φ12	1	≥2015-09-21
8	N163-333000-001	缓冲垫 Cushion	4	
9	G000096-000006-00	垫圈 6 Washer 6	8	
10	G000093-000006-00	垫圈 6 Washer 6	8	
11	G005783-006030-00	螺栓 M6×30 Bolt M6×30	4	
12	G005783-006018-00	螺栓 M6×18 Bolt M6×18	4	
13	A300-330002-000	散热器出水管 Rubber pipe for outtake	1	Ⓐ Ⓐ ₁ Ⓐ ₂ Ⓖ ₅ Ⓖ ₅ ₁ Ⓖ ₅ ₂

图 8 冷却系统
Fig.8 Cooling system

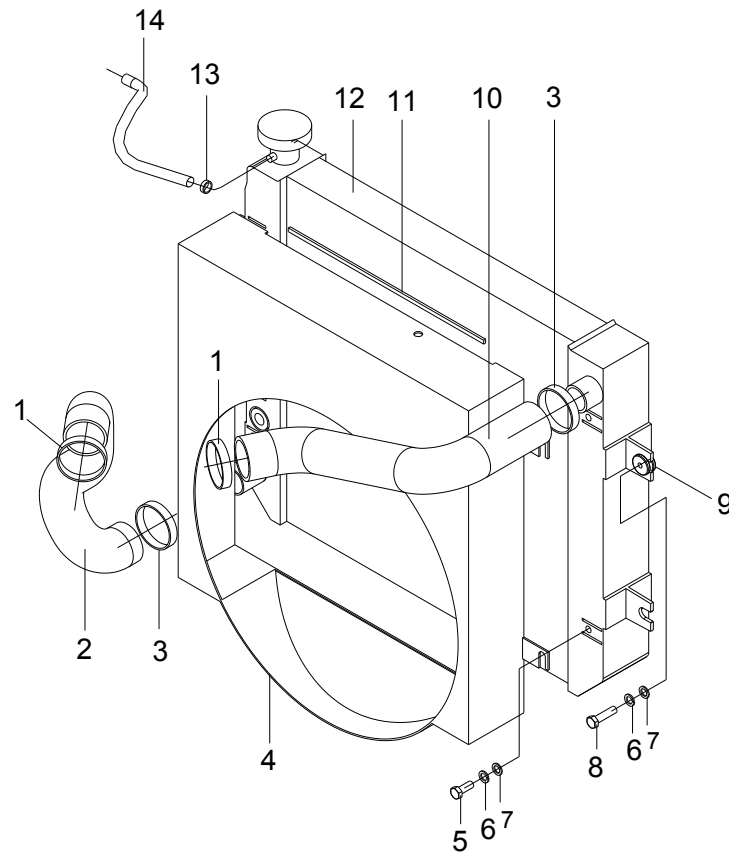
- | | | | |
|----------------------------------|----------------------------------|----------------------------------|-----------------------------------|
| Ⓐ CPC30/35/38-AG2 | Ⓐ ₁ CPCD30/35/38-AG2 | Ⓐ ₂ CPC30/35-AG2-Z | Ⓐ ₃ CPCD30/35/38-AG2E |
| Ⓑ CPC20/25-AG2 | Ⓑ ₁ CPCD20/25-AG2 | Ⓑ ₂ CPC30/35-AG51-Z | Ⓑ ₃ CPCD20/25-AG2E |
| Ⓒ CPC30/35/38-AG51 | Ⓒ ₁ CPCD30/35/38-AG51 | Ⓒ CPC20/25-AG51 | Ⓒ ₁ CPCD20/25-AG51 |
| Ⓖ CPC30/35/38-AG52 | Ⓖ ₁ CPCD30/35/38-AG52 | Ⓖ CPC20/25-AG52 | Ⓖ ₁ CPCD20/25-AG52 |
| Ⓖ ₄ CPC30/35-AXG51 | Ⓖ ₃ CPCD30/35-AXG51 | Ⓖ ₄ CPC30/35-AXG52 | Ⓖ ₃ CPCD30/35-AXG52 |
| Ⓖ ₅ CPC30/35/38-AG2J | Ⓖ ₁ CPCD30/35/38-AG2J | Ⓖ ₂ CPC30/35-AG2J-Z | Ⓖ ₁ CPCD20/25-AG2J |
| Ⓖ ₁ CPCD20/25-AG2J | Ⓖ ₉ CPC30/35-AG51G-Z | Ⓖ ₁ CPC30/35/38-AG65J | Ⓖ ₁ CPCD30/35/38-AG65J |
| Ⓖ ₁ CPC20/25-AG65J | Ⓖ ₁ CPCD20/25-AG65J | Ⓖ ₂ CPC30/35-AG65J-Z | Ⓖ ₄ CPC30/35-AG65JG-Z |
| Ⓖ ₆ CPC30/35-AXG65J | Ⓖ ₃ CPCD30/35-AXG65J | Ⓖ ₁ CPC30/35-AG69-Z | Ⓖ ₂ CPC30/35-AG69G-Z |
| Ⓖ ₃ CPC30/35-AG70JG-Z | Ⓖ ₅ CPC30/35-AG52-Z | Ⓖ ₆ CPC30/35-AG52G-Z | ③ ④ ⑤ ⑥ |



序号 Item	物料码 Part No.	名称 Description	数量 Qty	备注或适用车型 Remarks or Serial NO..
13	A250-330002-000	散热器出水管 Rubber pipe for outtake	1	Ⓑ Ⓑ ₁ Ⓖ ₁ Ⓖ ₁
13	AE310-330002-000	散热器出水管 Rubber pipe for outtake	1	Ⓐ ₃ Ⓑ ₃
13	N150-330002-001	散热器出水管 Rubber pipe for outtake	1	Ⓒ Ⓒ ₁ Ⓖ Ⓑ ₂ Ⓖ ₁ Ⓖ ₁ Ⓖ ₂ ① Ⓖ ₅ ④ ⑥
13	AX309-330002-000	散热器出水管 Rubber pipe for outtake	1	Ⓖ ₄ Ⓖ ₃ Ⓖ ₃ Ⓖ ₄ Ⓖ ₃ Ⓖ ₆
13	A305-330002-000	散热器出水管 Rubber pipe for outtake	1	Ⓒ Ⓒ ₁ Ⓖ Ⓖ ₁ Ⓖ ₁ Ⓖ ₁ Ⓖ ₁ ③ ⑤
13	AGZ309-330002-000	散热器出水管 Rubber pipe for outtake	1	Ⓖ ₉ Ⓖ ₄ ② Ⓖ ₃ Ⓖ ₆
14	MB250-330003-000	钢带弹性抱箍 Anchor ear	1	

图9 冷却系统
Fig.9 Cooling system

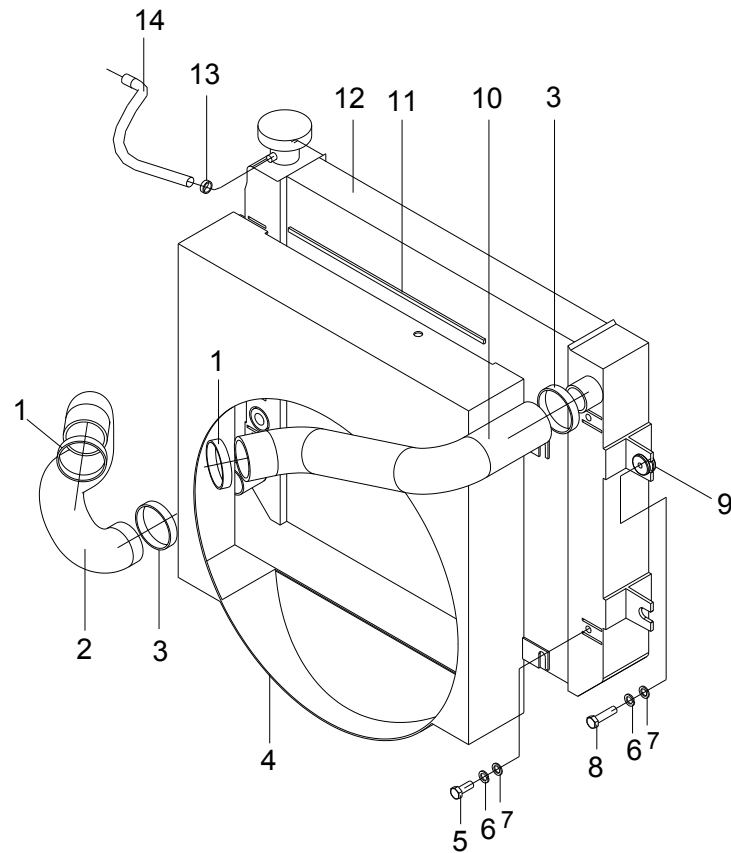
© CPC30/35/38-AG32 ©1 CPCD30/35/38-AG32 ©2 CPC38-AXG32 ©3 CPCD38-AXG32
 © D1 CPC20/25-AG32 © D1 CPCD20/25-AG32



序号 Item	物料码 Code No.	名称 Description	数量 Qty	备注或适用车型 Remarks or Serial NO..
A1	A301-330000-000	冷却系统 Cooling system	1	© © 见图 2 See Fig.2
A2	A311-330000-000	冷却系统 Cooling system	1	©1 ©1 见图 2 See Fig.2
3	AX381-330000-000	冷却系统 Cooling system	1	©2
3	AX391-330000-000	冷却系统 Cooling system	1	©3
1	Q672-50-G00	双钢丝式环箍 50 Clamp 50	2	
2	R9317-330002-000	散热器出水管 Rubber pipe for outtake	1	© © ©1 ©1
2	AX381-330002-000	散热器出水管 Rubber pipe for outtake	1	©2 ©3
3	Q672-45-G00	双钢丝式环箍 45 Clamp 45	2	
4	A301-332000-000	护风圈总成 Fan shroud assy	1	© © ©1 ©1
4	AX381-332000-000	护风圈总成 Fan shroud assy	1	©2 ©3
5	G005783-006018-00	螺栓 M6×18 Bolt M6×18	4	
6	G000093-000006-00	垫圈 6 Washer 6	8	
7	G000096-000006-00	垫圈 6 Washer 6	8	
8	G005783-006030-00	螺栓 M6×30 Bolt M6×30	4	
9	N163-333000-001	缓冲垫 Cushion	4	

图9 冷却系统
Fig.9 Cooling system

© CPC30/35/38-AG32 © CPCD30/35/38-AG32 © CPC38-AXG32 © CPCD38-AXG32
 © CPC20/25-AG32 © CPCD20/25-AG32



序号 Item	物料码 Code No.	名称 Description	数量 Qty	备注或适用车型 Remarks or Serial NO..
10	R9317-330001-000	散热器进水管 Rubber pipe for inlet	1	© © © ©
10	AX381-330001-000	散热器进水管 Rubber pipe for inlet	1	© ©
11	N163-330003-000	密封条 Seal strip	1	
12	30HBG32-331000	散热器总成 Radiator assy	1	© © ©
12	R9317-331000-000	散热器总成 Radiator assy	1	© © ©
13	MB250-330003-000	钢带弹性抱箍 Anchor ear	1	
14	N121-330003-W00	输水胶管 $\phi 8 \times \phi 12$ Rubber pipe $\phi 8 \times \phi 12$	1	

图 10 燃油系统
Fig.10 Fuel system

- | | | | |
|------------------------|-------------------------|-----------------------|------------------------|
| Ⓐ CPC30/35/38-AG2 | Ⓐ1 CPCD30/35/38-AG2 | Ⓐ2 CPC30/35-AG2-Z | Ⓐ3 CPCD30/35/38-AG2E |
| Ⓑ CPC20/25-AG2 | Ⓑ1 CPCD20/25-AG2 | Ⓞ6 CPC30/35-AXG65J | Ⓑ3 CPCD20/25-AG2E |
| Ⓒ CPC30/35/38-AG32 | Ⓒ1 CPCD30/35/38-AG32 | Ⓒ2 CPC38-AXG32 | Ⓒ3 CPCD38-AXG32 |
| Ⓓ CPC20/25-AG32 | Ⓓ1 CPCD20/25-AG32 | Ⓒ2 CPC30/35-AG51-Z | Ⓞ6 CPCD30/35-AXG65J |
| Ⓞ CPC30/35/38-AG51 | Ⓞ1 CPCD30/35/38-AG51 | Ⓞ P CPC20/25-AG51 | Ⓞ1 CPCD20/25-AG51 |
| Ⓞ CPC30/35/38-AG52 | Ⓞ1 CPCD30/35/38-AG52 | Ⓞ R CPC20/25-AG52 | Ⓞ1 CPCD20/25-AG52 |
| Ⓞ4 CPC30/35-AXG51 | Ⓞ3 CPCD30/35-AXG51 | Ⓞ4 CPC30/35-AXG52 | Ⓞ3 CPCD30/35-AXG52 |
| Ⓞ S CPC30/35/38-AG2J | Ⓞ S1 CPCD30/35/38-AG2J | Ⓞ S2 CPC30/35-AG2J-Z | Ⓞ T CPC20/25-AG2J |
| Ⓞ T1 CPCD20/25-AG2J | Ⓞ S5 CPC30/35-AG51G-Z | Ⓞ U2 CPC30/35-AG65J-Z | Ⓞ U4 CPC30/35-AG65JG-Z |
| Ⓞ U1 CPC30/35/38-AG65J | Ⓞ U1 CPCD30/35/38-AG65J | Ⓞ V CPC20/25-AG65J | Ⓞ V1 CPCD20/25-AG65J |
| ① CPC30/35-AG69-Z | ② CPC30/35-AG69G-Z | Ⓞ S5 CPC30/35-AG52-Z | Ⓞ S6 CPC30/35-AG52G-Z |
| ③ CPC20/25-AG69 | ④ CPC30/35/38-AG69 | ⑤ CPCD20/25-AG69 | ⑥ CPCD30/35/38-AG69 |

序号 Item	物料码 Part No.	名称 Description	数量 Qty	备注或适用车型 Remarks or Serial NO..
1	J000982-000024-00	垫圈 24 Washer 24	1	
2	N163-340008-000	螺塞 Pulg	1	
3	N163-340002-000	磁铁 Ring magnetic iron	1	
4	N163-341000-G00	燃油箱盖 Cover of fuel case	1	
5	R960-340003-W00	输油胶管 $\phi 8 \times \phi 16.5$ Rubber pipe	1	剩余车型 Remaining models
5	R9617-340001-W00	输油胶管 $\phi 8 \times \phi 16.5$ Rubber pipe	1	Ⓒ Ⓒ1 Ⓓ Ⓓ1 Ⓒ2 Ⓒ3
6	Q672-18-G00	双钢丝式环箍 18 Clampe 18	4	剩余车型 Remaining models
6	Q672-16-G00	双钢丝式环箍 16 Clampe 16	2	Ⓒ Ⓒ1 Ⓓ Ⓓ1 Ⓒ2 Ⓒ3
7	Q672-14-G00	双钢丝式环箍 14 Clampe 14	2	Ⓒ Ⓒ1 Ⓓ Ⓓ1 Ⓒ2 Ⓒ3
8	A300-341000-000	燃油箱盖组件 Cover of fuel case	1	剩余车型 Remaining models 包含/INC:8-1
8	A301-341000-000	燃油箱盖组件 Cover of fuel case	1	Ⓒ Ⓒ1 Ⓓ Ⓓ1 Ⓒ2 Ⓒ3 包含/INC:8-1

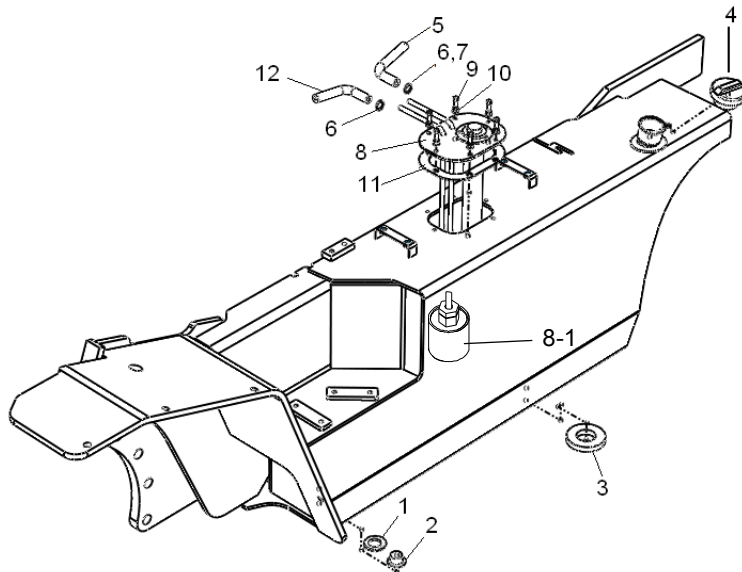
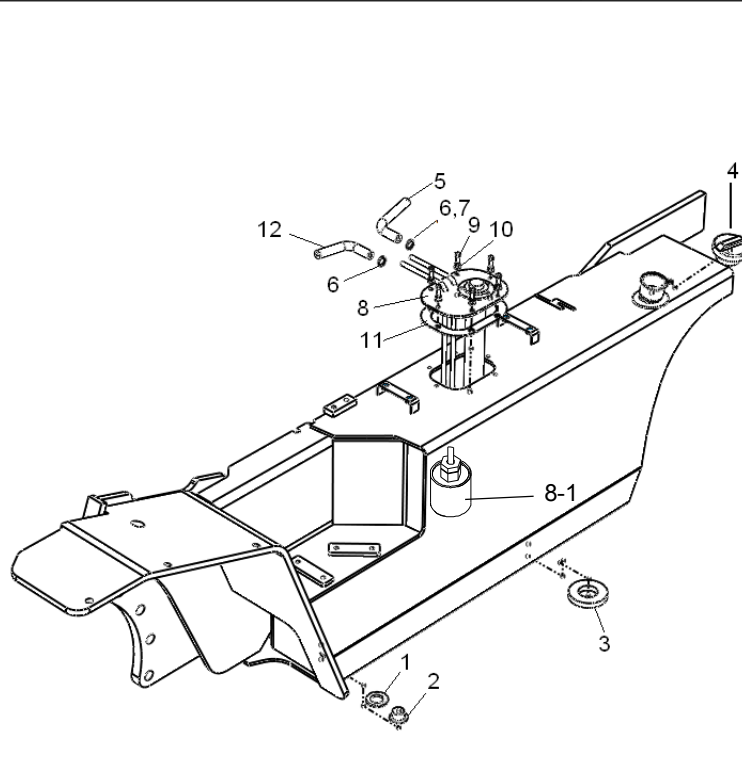


图 10 燃油系统
Fig.10 Fuel system

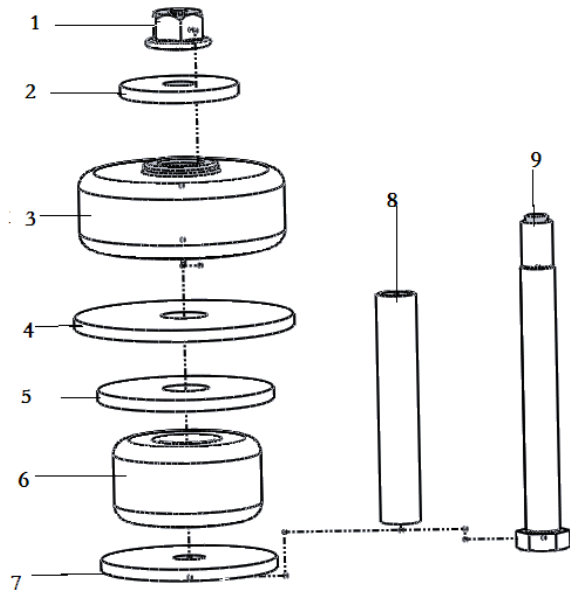
- | | | | |
|------------------------|-------------------------|-----------------------|------------------------|
| Ⓐ CPC30/35/38-AG2 | Ⓐ1 CPCD30/35/38-AG2 | Ⓐ2 CPC30/35-AG2-Z | Ⓐ3 CPCD30/35/38-AG2E |
| Ⓑ CPC20/25-AG2 | Ⓑ1 CPCD20/25-AG2 | Ⓞ6 CPC30/35-AXG65J | Ⓑ3 CPCD20/25-AG2E |
| Ⓒ CPC30/35/38-AG32 | Ⓒ1 CPCD30/35/38-AG32 | Ⓒ2 CPC38-AXG32 | Ⓒ3 CPCD38-AXG32 |
| Ⓓ CPC20/25-AG32 | Ⓓ1 CPCD20/25-AG32 | Ⓒ2 CPC30/35-AG51-Z | Ⓞ6 CPCD30/35-AXG65J |
| Ⓞ CPC30/35/38-AG51 | Ⓞ1 CPCD30/35/38-AG51 | Ⓞ P CPC20/25-AG51 | Ⓞ1 CPCD20/25-AG51 |
| Ⓞ CPC30/35/38-AG52 | Ⓞ1 CPCD30/35/38-AG52 | Ⓞ R CPC20/25-AG52 | Ⓞ1 CPCD20/25-AG52 |
| Ⓞ4 CPC30/35-AXG51 | Ⓞ3 CPCD30/35-AXG51 | Ⓞ4 CPC30/35-AXG52 | Ⓞ3 CPCD30/35-AXG52 |
| Ⓞ S CPC30/35/38-AG2J | Ⓞ S1 CPCD30/35/38-AG2J | Ⓞ S2 CPC30/35-AG2J-Z | Ⓞ T CPC20/25-AG2J |
| Ⓞ T1 CPCD20/25-AG2J | Ⓞ S5 CPC30/35-AG51G-Z | Ⓞ U2 CPC30/35-AG65J-Z | Ⓞ U4 CPC30/35-AG65JG-Z |
| Ⓞ U1 CPC30/35/38-AG65J | Ⓞ U1 CPCD30/35/38-AG65J | Ⓞ V CPC20/25-AG65J | Ⓞ V1 CPCD20/25-AG65J |
| ① CPC30/35-AG69-Z | ② CPC30/35-AG69G-Z | Ⓞ S5 CPC30/35-AG52-Z | Ⓞ S6 CPC30/35-AG52G-Z |
| ③ CPC20/25-AG69 | ④ CPC30/35/38-AG69 | ⑤ CPCD20/25-AG69 | ⑥ CPCD30/35/38-AG69 |



序号 Item	物料码 Part No.	名称 Description	数量 Qty	备注或适用车型 Remarks or Serial NO..
8-1	30DH-441000	燃油滤芯 Suction filter	1	
9	G005783-006016-00	螺栓 M6×16 Bolt M6×16	6	
10	J000982-000006-00	垫圈 6 Washer 6	6	
11	A300-340001-000	垫 washer	1	
12	R960-340002-W00	输油胶管 φ8×φ16.5 Rubber pipe	1	剩余车型 Remaining models
12	R9617-340002-W00	输油胶管 φ6×φ13.5 Rubber pipe	1	Ⓒ Ⓒ1 Ⓓ Ⓓ1 Ⓒ2 Ⓒ3

图 11 缓冲垫总成
Fig.11 Cushion assy

- Ⓐ CPC30/35/38-AG2 Ⓐ1 CPCD30/35/38-AG2 Ⓑ CPC20/25-AG2 Ⓑ1 CPCD20/25-AG2
- Ⓐ2 CPC30/35-AG2-Z
- Ⓒ CPC30/35/38-AG51 Ⓒ1 CPCD30/35/38-AG51 Ⓓ CPC20/25-AG51 Ⓓ1 CPCD20/25-AG51
- Ⓔ CPC30/35/38-AG2J Ⓔ1 CPCD30/35/38-AG2J Ⓕ CPC30/35-AG2J-Z Ⓕ1 CPC20/25-AG2J
- Ⓖ1 CPCD20/25-AG2J



序号 Item	物料码 Part No.	名称 Description	数量 Qty	备注或适用车型 Remarks or Serial NO..
A	30DHW15-302000A	缓冲垫总成 Cushion assy	2	包含/INC:1-9, 剩余车型 Remaining models
A	30DHW15-302000A	缓冲垫总成 Cushion assy	2	Ⓒ Ⓒ1 Ⓓ Ⓓ1 <2016-02-25
1	G006184-000010-00	螺母 M10 Nut M10	2	
2	30DHW15-302004A	垫片 Gasket	2	
3	30DHW15-302006A	橡胶垫 Rubber pad	2	
4	30DHW15-302001A	垫片 Gasket	2	
5	30DHW15-302002A	垫片 Gasket	2	
6	30DHW15-302007A	橡胶垫 Rubber pad	2	
7	30DHW15-302005A	垫片 Gasket	2	
8	30DHW15-302003A	套管 Casing	2	
9	G005782-010115-00	螺栓 M10×115 Bolt M10×115	2	

图 11-1 发动机安装
Fig.11-1 Engine assy

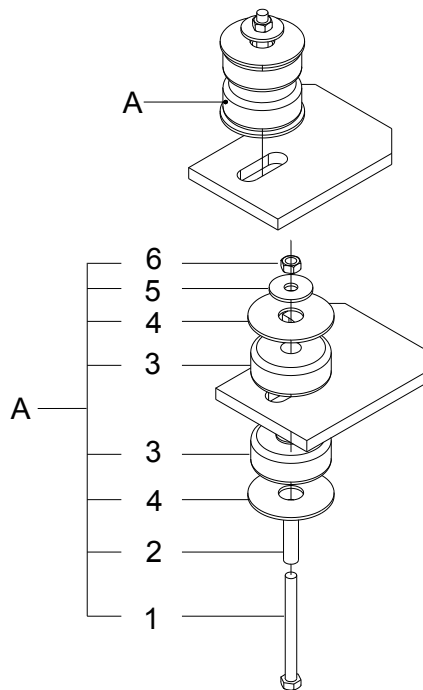
Ⓐ CPCD30/35/38-AG2E Ⓑ CPCD20/25-AG2E

序号 Item	物料码 Part No.	名称 Description	数量 Qty	备注或适用车型 Remarks or Serial NO..
1	G000093-000012-00	垫圈 12 Washer 12	14	
2	G005783-012030-00	螺栓 M12×30 Bolt M12×30	8	
3	G005783-012035-00	螺栓 M12×35 Bolt M12×35	4	
4	AE310-350100-000	发动机左安装架 Engine left mount bracket	1	
5	R564-350500-000	前支承左垫块总成 left Block	1	
6	G0097P1-000012-00	垫圈 12 Washer 12	8	
7	G006170-000012-00	螺母 M12 Nut M12	6	
8	AE310-350200-000	发动机左支架 Engine left bracket	1	
9	G005783-010025-00	螺栓 M10×25 Bolt M10×25	4	
10	G000093-000010-00	垫圈 10 Washer 10	9	
11	AE310-350300-000	发动机右支架 Engine right bracket	1	
12	G005783-010030-00	螺栓 M10×30 Bolt M10×30	5	
13	R564-350600-000	前支承右垫块总成 Right Block	1	
14	AE310-350400-000	发动机右安装架 Engine right mount bracket	1	

图 11-2 缓冲垫总成
Fig.11-2 Cushion assy

≥2016-02-25

- | | | | |
|---------------------|----------------------|----------------------|-----------------------|
| ⓐ CPC30/35/38-AG51 | ⓐ1 CPCD30/35/38-AG51 | ⓐ CPC20/25-AG51 | ⓐ1 CPCD20/25-AG51 |
| ⓑ CPC30/35/38-AG52 | ⓑ1 CPCD30/35/38-AG52 | ⓑ CPC20/25-AG52 | ⓑ1 CPCD20/25-AG52 |
| ⓒ CPC30/35-AXG51 | ⓒ3 CPCD30/35-AXG51 | ⓒ4 CPC30/35-AXG52 | ⓒ3 CPCD30/35-AXG52 |
| ⓓ CPC30/35-AG51-Z | ⓓ5 CPC30/35-AG51G-Z | ⓓ2 CPC30/35-AG65J-Z | ⓓ4 CPC30/35-AG65JG-Z |
| ⓔ CPC20/25-AG65J | ⓔ1 CPCD20/25-AG65J | ⓔ CPC30/35/38-AG65J | ⓔ1 CPCD30/35/38-AG65J |
| ⓕ CPC20/25-AG70 | ⓕ1 CPCD20/25-AG70 | ⓕ CPC30/35/38-AG70 | ⓕ1 CPCD30/35/38-AG70 |
| ⓖ2 CPC30/35-AG70J-Z | ⓖ6 CPC30/35-AXG65J | ⓖ3 CPCD30/35-AXG65J | ⓖ1 CPC30/35-AG69-Z |
| ⓗ5 CPC30/35-AG52-Z | ⓗ6 CPC30/35-AG52G-Z | ⓗ3 CPC30/35-AG70JG-Z | ⓗ2 CPC30/35-AG69G-Z |
| ③ CPC20/25-AG69 | ④ CPC30/35/38-AG69 | ⑤ CPCD20/25-AG69 | ⑥ CPCD30/35/38-AG69 |



序号 Item	物料码 Part No.	名称 Description	数量 Qty	备注或适用车型 Remarks or Serial NO..
A	R3110-350100-000	缓冲垫总成 Cushion assy	2	
1	G005782-010105-00	螺栓 M10×105 Bolt M10×105	2	
2	R3110-350101-000	套管 Casing	2	
3	30DHW15-302006A	橡胶垫 Rubber pad	4	
4	30DHBW13-303001	垫片 Gasket	4	
5	30DHW15-302004A	垫片 Gasket	2	
6	G006184-000010-00	螺母 M10 Nut M10	2	

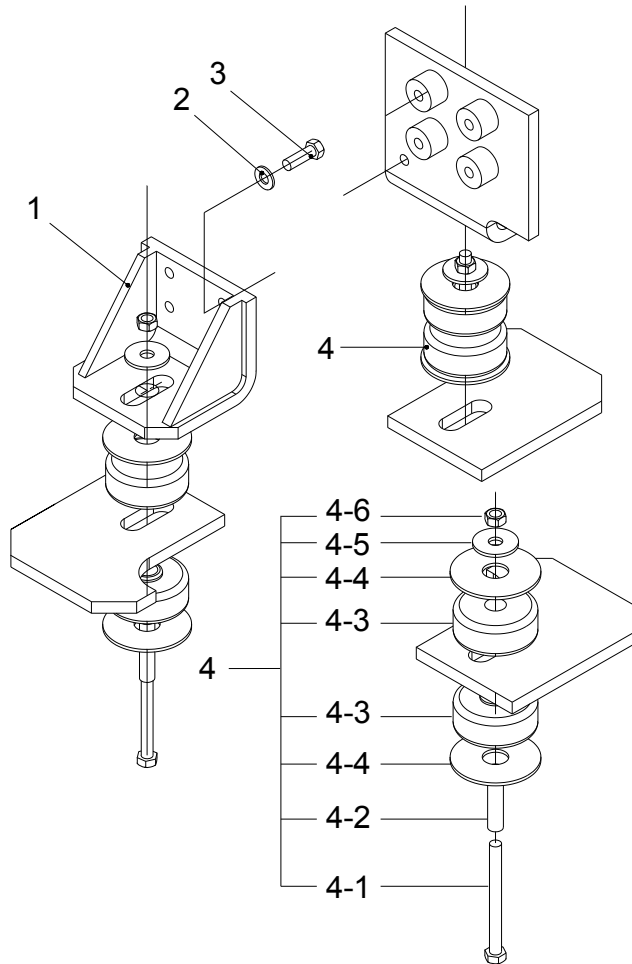
图 12 发动机安装
Fig.12 Engine assy

© CPC30/35/38-AG32
④ CPC20/25-AG32

© CPCD30/35/38-AG32
⑤ CPCD20/25-AG32

© CPC38-AXG32

© CPCD38-AXG32



序号 Item	物料码 Part NO.	名称 Description	数量 Qty	备注或适用车型 Remarks or Serial NO..
1	R9617-350200-000	发动机支架 Engine Bracket	2	
2	G000093-00010-00	垫圈 10 Washer 10	8	
3	G005782-010045-00	螺栓 M10×45 Bolt M10×45	8	
4	N150-350100-000	缓冲垫总成 Cushion assy	2	
4-1	G005782-010115-00	螺栓 M10×115 Bolt M10×115	2	
4-2	30DHBW13-303002	套管 Casing	2	
4-3	30DHW15-302006A	橡胶垫 Rubber pad	4	
4-4	30DHBW13-303001	垫片 Gasket	4	
4-5	30DHW15-302004A	垫片 Gasket	2	
4-6	G006184-000010-00	螺母 M10 Nut M10	2	

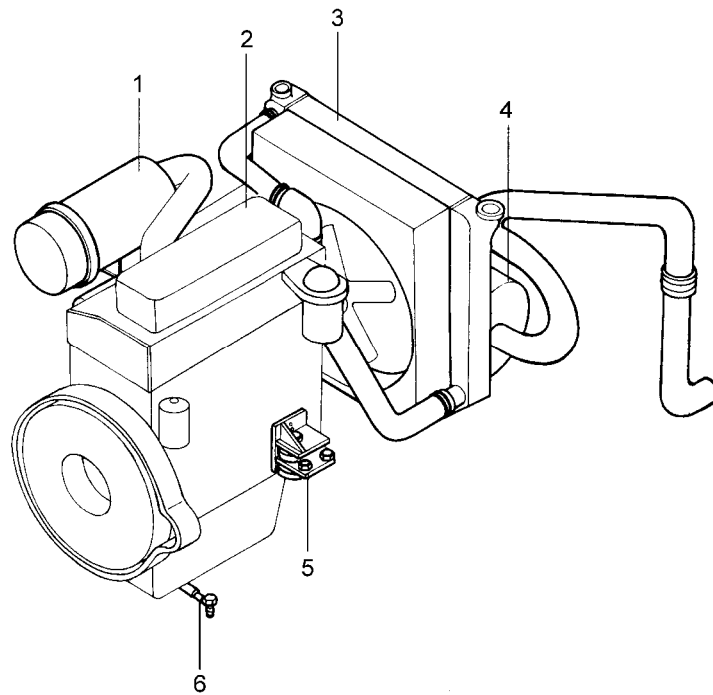
图 13 动力系统
Fig. 13 Power system

Ⓔ CPC30-AW10
Ⓔ CPC30-AXW10

Ⓔ CPCD30-AW10
Ⓔ CPCD30-AXW10

Ⓕ CPC20/25-AW10

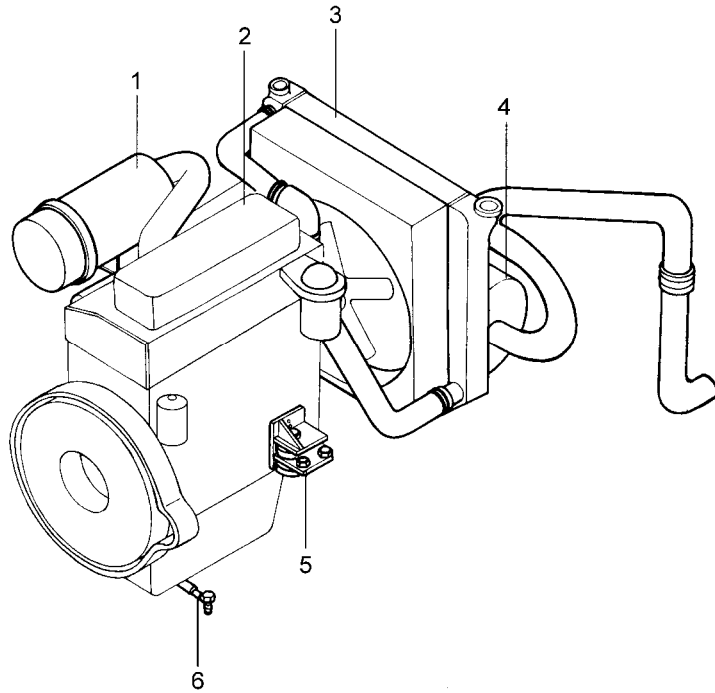
Ⓕ CPCD20/25-AW10



序号 Item	物料码 Part No.	名称 Description	数量 Qty	备注或适用车型 Remarks or Serial NO..
1	A307-310000-000	进气系统 Air intake system	1	Ⓔ Ⓔ1 Ⓕ Ⓕ1
1	AX307-310000-000	进气系统 Air intake system	1	Ⓔ2 Ⓔ3
2	R967-301000-G00	柴油机 Diesel engine	1	
3	A307-330000-000	冷却系统 Cooling system	1	Ⓔ Ⓕ
3	AX307-330000-000	冷却系统 Cooling system	1	Ⓔ2
3	A317-330000-000	冷却系统 Cooling system	1	Ⓔ1 Ⓕ1
3	AX317-330000-000	冷却系统 Cooling system	1	Ⓔ3
4	A307-320000-000	排气系统 Exhaust system	1	Ⓔ Ⓔ1
4	AX307-320000-000	排气系统 Exhaust system	1	Ⓔ2 Ⓔ3
4	A257-320000-000	排气系统 Exhaust system	1	Ⓕ Ⓕ1
5	N121-350000-000	发动机安装 Engine mount	1	Ⓔ Ⓔ1 Ⓕ Ⓕ1
5	DZ257-350000-000	发动机安装 Engine mount	1	Ⓔ2 Ⓔ3
6	A307-340000-000	燃油系统 Fuel system	1	

图 14 动力系统
Fig.14 Power system

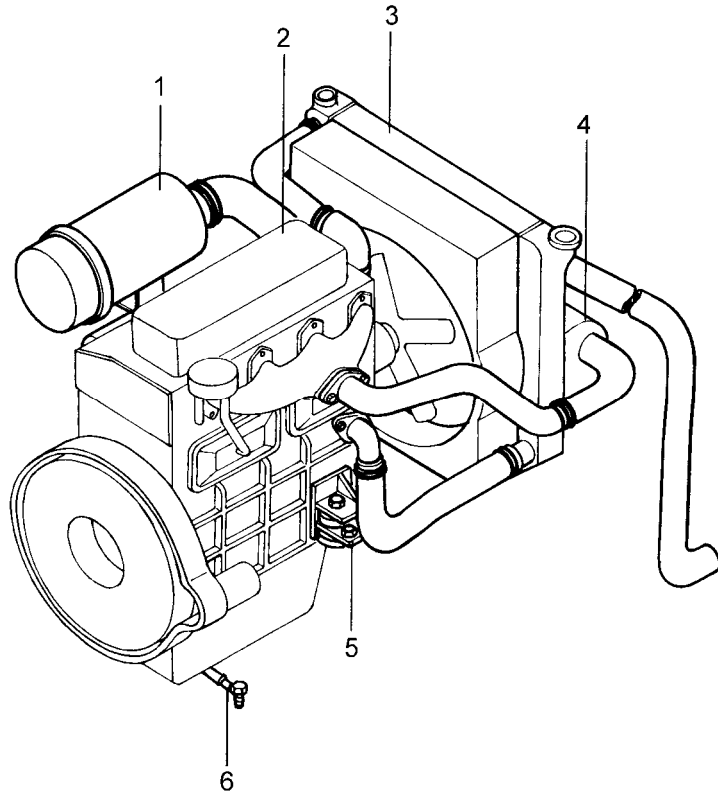
Ⓒ CPC30/35/38-AW13 Ⓓ CPCD30/35/38-AW13 Ⓔ CPC20/25-AW13 Ⓕ CPCD20/25-AW13



序号 Item	物料码 Part NO.	名称 Description	数量 Qty	备注或适用车型 Remarks or Serial NO..
1	A302-310000-000	进气系统 Air intake system	1	
2	4JG2PE-G00	柴油机 Diesel engine	1	
3	A302-330000-000	冷却系统 Cooling system	1	Ⓒ Ⓔ
3	A312-330000-000	冷却系统 Cooling system	1	Ⓓ Ⓕ
4	A302-320000-000	排气系统 Exhaust system	1	Ⓒ Ⓓ
4	A252-320000-000	排气系统 Exhaust system	1	Ⓔ Ⓕ
5	R932-350000-000	发动机安装 Cushion assy	1	
6	A302-340000-000	燃油系统 Fuel system	1	

图 15 动力系统
Fig.15 Power system

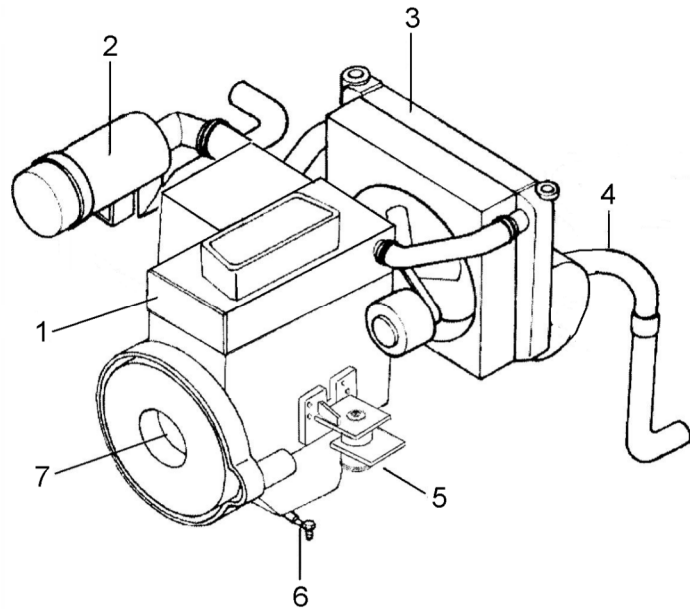
① CPC30/35/38-AW27 ①① CPCD30/35/38-AW27 ①② CPC20/25-AW27 ①③ CPCD20/25-AW27
①④ CPCD30/35-AW67 ①⑤ CPCD20/25-AW67



序号 Item	物料码 Part NO.	名称 Description	数量 Qty	备注或适用车型 Remarks or Serial NO..
1	A300-310000-000	进气系统 Air intake system	1	
2	R9624-301000-G00	柴油机 Diesel engine	1	① ②
2	A318-301000-G00	柴油机 Diesel engine	1	①① ①② ①③ ①④
3	A302-330000-000	冷却系统 Cooling system	1	① ②
3	A312-330000-000	冷却系统 Cooling system	1	①① ①② ①③ ①④
4	A305-320000-000	排气系统 Exhaust system	1	① ①①
4	A255-320000-000	排气系统 Exhaust system	1	①② ①③ ①④ ①⑤
5	N150-350000-000	发动机安装 Cushion assy	1	
6	A300-340000-000	燃油系统 Fuel system	1	

图 16 动力系统
Fig.16 Power system

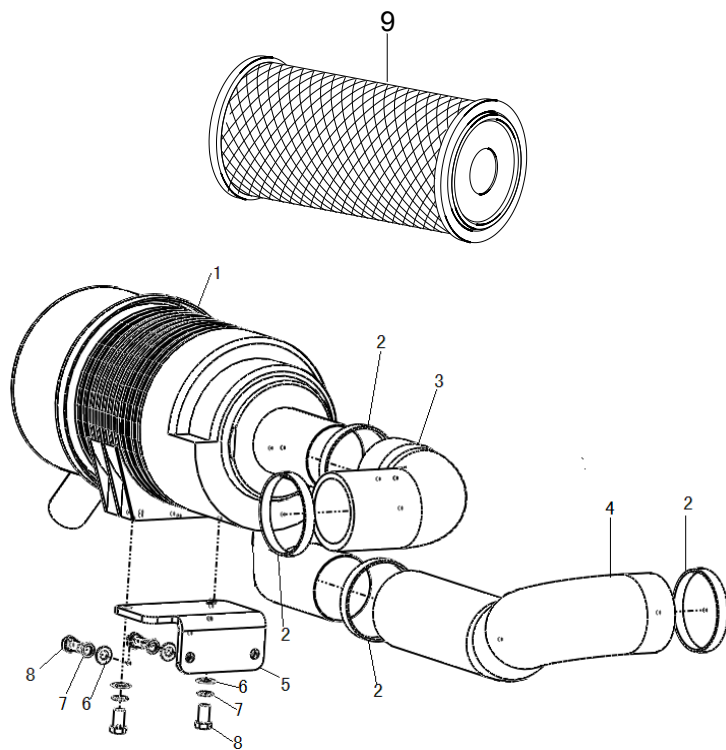
Ⓚ CPQ30/35/38-AW7 Ⓚ1 CPQD30/35/38-AW7 Ⓛ CPQ20/25-AW7 Ⓛ1 CPQD20/25-AW7



序号 Item	物料码 Part NO.	名称 Description	数量 Qty	备注或适用车型 Remarks or Serial NO..
1	BY491GP-000-G00	汽油机 Peterol engine	1	
2	A306-310000-000	进气系统 Air intake system	1	
3	A306-330000-000	冷却系统 Cooling system	1	Ⓚ Ⓛ
3	A316-330000-000	冷却系统 Cooling system	1	Ⓚ1 Ⓛ1
4	A306-320000-000	排气系统 Exhaust system	1	Ⓚ Ⓚ1
4	A256-320000-000	排气系统 Exhaust system	1	Ⓛ Ⓛ1
5	R966-350000-000	发动机安装 Engine mount	1	
6	A306-340000-000	燃油系统 Fuel system	1	
7	GT000276-006002-05	轴承 6002-2Z Bearing 6002-2Z	1	

图 17 进气系统
Fig.17 Air intake system
(除外/Except W10, ≤2016-07)

- | | | | |
|--------------------|----------------------|-------------------|----------------------|
| Ⓔ CPC30-AW10 | Ⓔ1 CPCD30-AW10 | Ⓕ CPC20/25-AW10 | Ⓕ1 CPCD20/25-AW10 |
| Ⓖ CPC30/35/38-AW13 | Ⓖ1 CPCD30/35/38-AW13 | Ⓖ H CPC20/25-AW13 | Ⓖ1 H1 CPCD20/25-AW13 |
| Ⓘ CPC30/35/38-AW27 | Ⓘ1 CPCD30/35/38-AW27 | Ⓙ CPC20/25-AW27 | Ⓙ1 CPCD20/25-AW27 |
| Ⓚ CPQ30/35/38-AW7 | Ⓚ1 CPQD30/35/38-AW7 | Ⓛ CPQ20/25-AW7 | Ⓛ1 CPQD20/25-AW7 |
| Ⓜ1 CPCD30/35-AW67 | Ⓜ1 CPCD20/25-AW67 | Ⓔ2 CPC30-AXW10 | Ⓔ3 CPCD30-AXW10 |



序号 Item	物料码 Part NO.	名称 Description	数量 Qty	备注或适用车型 Remarks or Serial NO..
1	30HB-311000	空气滤清器 Air cleaner	1	Ⓘ Ⓘ1 Ⓙ Ⓙ1 Ⓜ1 Ⓜ1
1	30DHW15-311000B	空气滤清器 Air cleaner	1	Ⓔ Ⓔ1 Ⓔ2 Ⓔ3 Ⓕ Ⓕ1 Ⓖ Ⓖ1 Ⓖ1 Ⓖ H Ⓖ1 Ⓚ Ⓚ1 Ⓛ Ⓛ1
2	Q676-76-G00	蜗杆传动式软管环箍 76 Clamp 76	4	
3	A307-310001-000	发动机进气管 Engine air intake pipe	1	Ⓔ Ⓔ1 Ⓕ Ⓕ1 Ⓔ2 Ⓔ3
3	A302-310001-000	发动机进气管 Engine air intake pipe	1	Ⓖ Ⓖ1 Ⓖ H Ⓖ1
3	A300-310001-000	发动机进气管 Engine air intake pipe	1	Ⓘ Ⓘ1 Ⓙ Ⓙ1 Ⓜ1 Ⓜ1
3	A306-310001-000	发动机进气管 Engine air intake pipe	1	Ⓚ Ⓚ1 Ⓛ Ⓛ1
3	AX307-310001-000	发动机进气管 Engine air intake pipe	1	Ⓔ2 Ⓔ3
4	A300-310002-000	进气胶管 Air intake pipe	1	
5	30DHW15-400002	空滤器支架 Air cleaner Bracket	1	Ⓘ Ⓘ1 Ⓙ Ⓙ1 Ⓜ1 Ⓜ1 Ⓚ Ⓚ1 Ⓛ Ⓛ1
5	A302-310002-000	空滤器支座 Air cleaner Bracket	1	Ⓔ Ⓔ1 Ⓕ Ⓕ1 Ⓖ Ⓖ1 Ⓖ H Ⓖ1
6	G0093-000008-00	垫圈 8 Washer 8	4	<2014-07-20
7	G0097P1-000008-00	垫圈 8 Washer 8	4	<2014-07-20
8	G005783-008016-00	螺栓 M8×16 Bolt M8×16	4	<2014-07-20

图 17 进气系统
Fig.17 Air intake system
(除外/Except W10, ≤2016-07)

- | | | | |
|----------------------|-------------------------|--------------------|-----------------------|
| Ⓔ CPC30-AW10 | Ⓔ1 CPCD30-AW10 | Ⓔ CPC20/25-AW10 | Ⓔ11 CPCD20/25-AW10 |
| Ⓔ1 CPC30/35/38-AW13 | Ⓔ111 CPCD30/35/38-AW13 | Ⓔ11 CPC20/25-AW13 | Ⓔ1111 CPCD20/25-AW13 |
| Ⓔ11 CPC30/35/38-AW27 | Ⓔ1111 CPCD30/35/38-AW27 | Ⓔ111 CPC20/25-AW27 | Ⓔ11111 CPCD20/25-AW27 |
| Ⓔ111 CPC30/35/38-AW7 | Ⓔ11111 CPCD30/35/38-AW7 | Ⓔ1111 CPC20/25-AW7 | Ⓔ111111 CPCD20/25-AW7 |
| Ⓔ1111 CPC30/35-AW67 | Ⓔ111111 CPCD20/25-AW67 | Ⓔ11111 CPC30-AXW10 | Ⓔ1111111 CPCD30-AXW10 |

序号 Item	物料码 Part NO.	名称 Description	数量 Qty	备注或适用车型 Remarks or Serial NO..
8	G907417-008016-00	组合螺栓 M8×16 Bolt assy M8×16	4	≥2014-07-20
9	KW1330	滤芯 Filter	1	

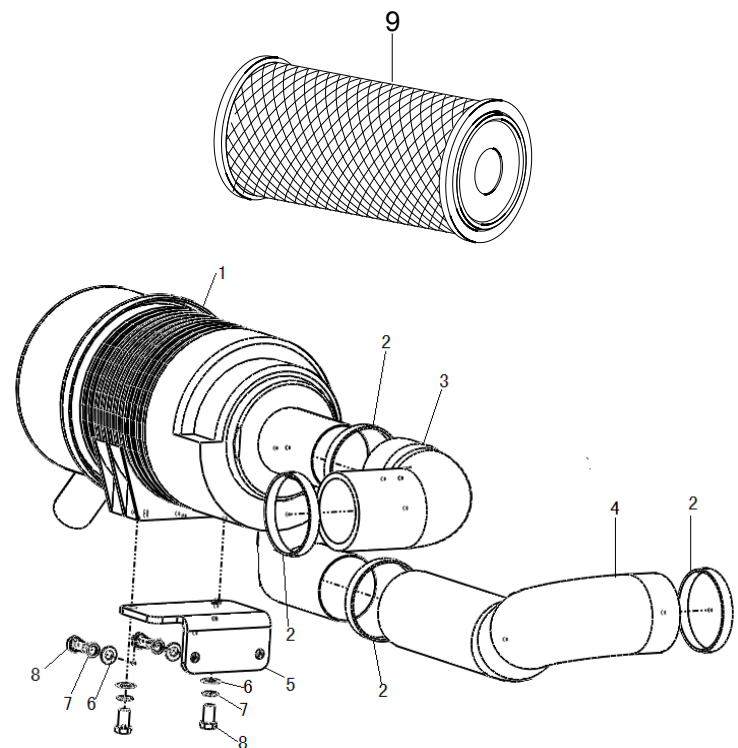


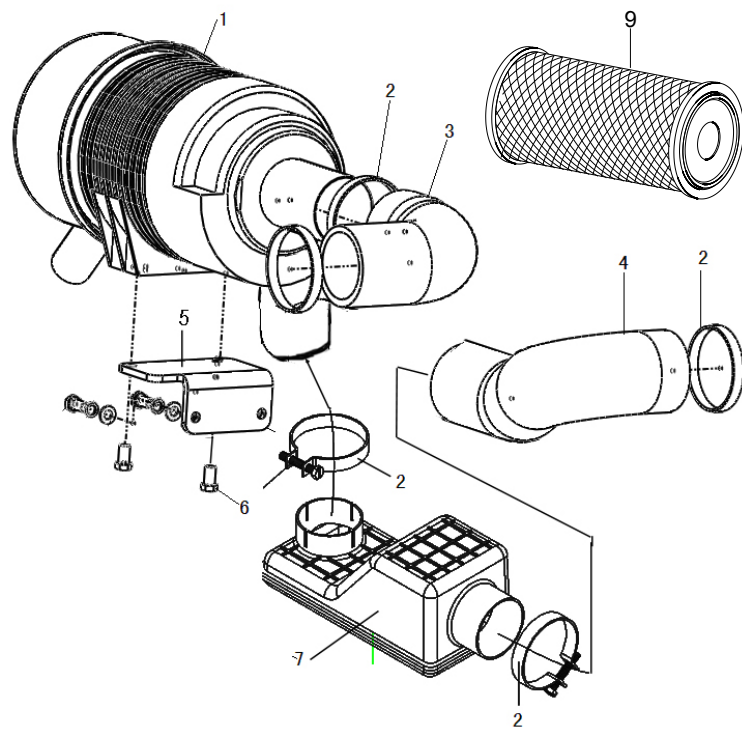
图 17-1 进气系统
Fig.17-1 Air intake system
(除外/Except W10, ≥2016-07)

① CPC30/35/38-AW27
② CPQ30/35/38-AW7
③ CPCD30/35-AW67

④ CPCD30/35/38-AW27
⑤ CPQD30/35/38-AW7
⑥ CPCD20/25-AW67

⑦ CPC20/25-AW27
⑧ CPQ20/25-AW7

⑨ CPCD20/25-AW27
⑩ CPQD20/25-AW7



序号 Item	物料码 Part NO.	名称 Description	数量 Qty	备注或适用车型 Remarks or Serial NO..
1	A300-311000-000	空气滤清器 Air cleaner	1	① ④ ⑦ ⑧ ⑨ ⑩ ② ③ ⑤ ⑥
2	Q676-76-G00	蜗杆传动式软管环箍 76 Clamp 76	5	
3	A300-310001-000	发动机进气管 Engine air intake pipe	1	① ④ ⑦ ⑧ ⑨ ⑩
3	A306-310001-000	发动机进气管 Engine air intake pipe	1	② ③ ⑤ ⑥
4	A300-310004-001	进气胶管 Air intake pipe	1	
5	30DHW15-400002	空滤器支架 Air cleaner Bracket	1	① ④ ⑦ ⑧ ⑨ ⑩ ② ③ ⑤ ⑥
6	G907417-008016-00	组合螺栓 M8×16 Bolt assy M8×16	4	
7	A300-312000-000	进气消声器 Air inlet muffler	1	
9	KW1330	滤芯 Filter	1	
8				

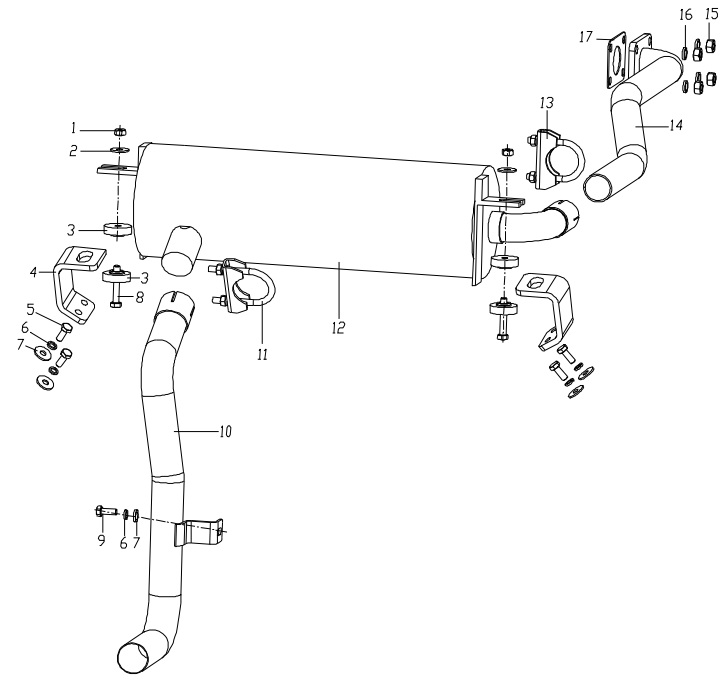
图 18 排气系统
Fig.18 Exhaust system

Ⓔ CPC30-AW10

Ⓔ CPCD30-AW10

Ⓔ CPC30-AXW10

Ⓔ CPCD30-AXW10



序号 Item	物料码 Part No.	名称 Description	数量 Qty	备注或适用车型 Remarks or Serial NO..
1	G001337-000008-00	螺母 M8 Nut M8	2	
2	G000096-000008-00	垫圈 8 Washer 8	3	
3	30DH-322000-000	环状减震垫 Ringlike dampener	4	
4	A302-320001-000	消声器支架 Muffler bracket	2	Ⓔ Ⓔ1
5	G005783-008025-00	螺栓 M8×25 Bolt M8×25	4	Ⓔ Ⓔ1
6	G000093-000008-00	垫圈 8 Washer 8	5	Ⓔ Ⓔ1
6	G000093-000008-00	垫圈 8 Washer 8	1	Ⓔ2 Ⓔ3
7	G0097P1-000008-00	垫圈 8 Washer 8	5	Ⓔ Ⓔ1
7	G0097P1-000008-00	垫圈 8 Washer 8	1	Ⓔ2 Ⓔ3
8	G005782-008050-00	螺栓 M8×50 Bolt M8×50	2	
9	G005783-008016-00	螺栓 M8×16 Bolt M8×16	1	
10	A301-323000-000	排气尾管 Exhaust pipe	1	Ⓔ Ⓔ1
10	AX381-323000-000	排气尾管 Exhaust pipe	1	Ⓔ2 Ⓔ3
11	N163-324000-000	抱箍 Clamp	1	
12	A301-322000-000	消声器总成 Muffler assy	1	Ⓔ Ⓔ1

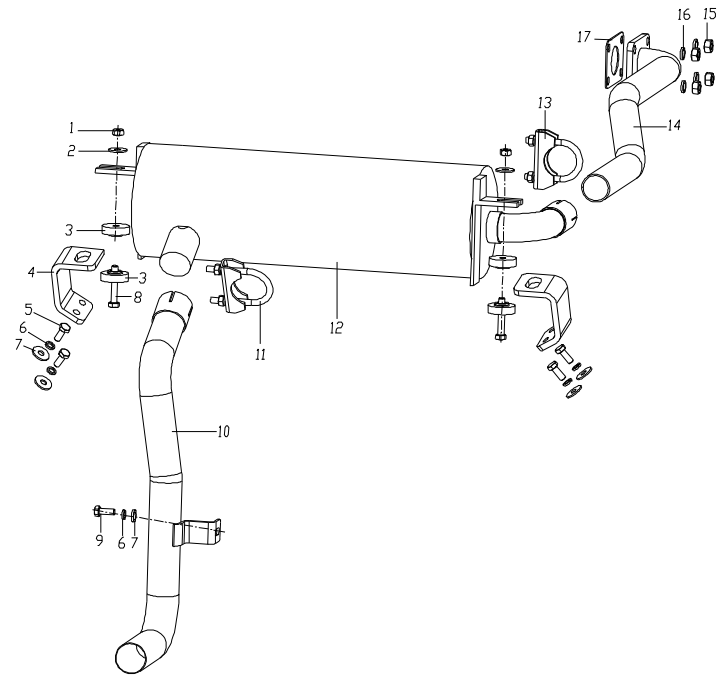
图 18 排气系统
Fig.18 Exhaust system

Ⓔ CPC30-AW10

Ⓔ CPCD30-AW10

Ⓔ CPC30-AXW10

Ⓔ CPCD30-AXW10

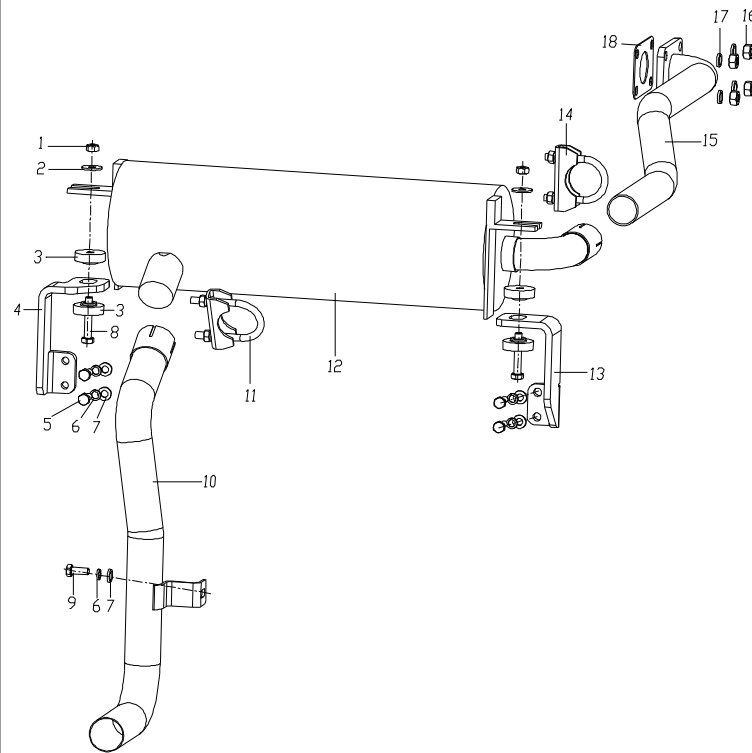


序号 Item	物料码 Part No.	名称 Description	数量 Qty	备注或适用车型 Remarks or Serial NO..
12	AX381-322000-000	消声器总成 Muffler assy	1	Ⓔ Ⓔ
13	QY125-323000-000	抱箍 Clamp	1	
14	A307-321000-000	排气管 Exhaust pipe	1	Ⓔ Ⓔ
14	AX307-321000-000	排气管 Exhaust pipe	1	Ⓔ Ⓔ
15	G006170-000010-00	螺母 M10 Nut M10	4	
16	G000093-000010-00	垫圈 10 Washer 10	4	
17	N121-320001-000	垫片 δ 1.75 washer	1	

图 19 排气系统
Fig.19 Exhaust system

Ⓕ CPC20/25-AW10

Ⓕ CPCD20/25-AW10

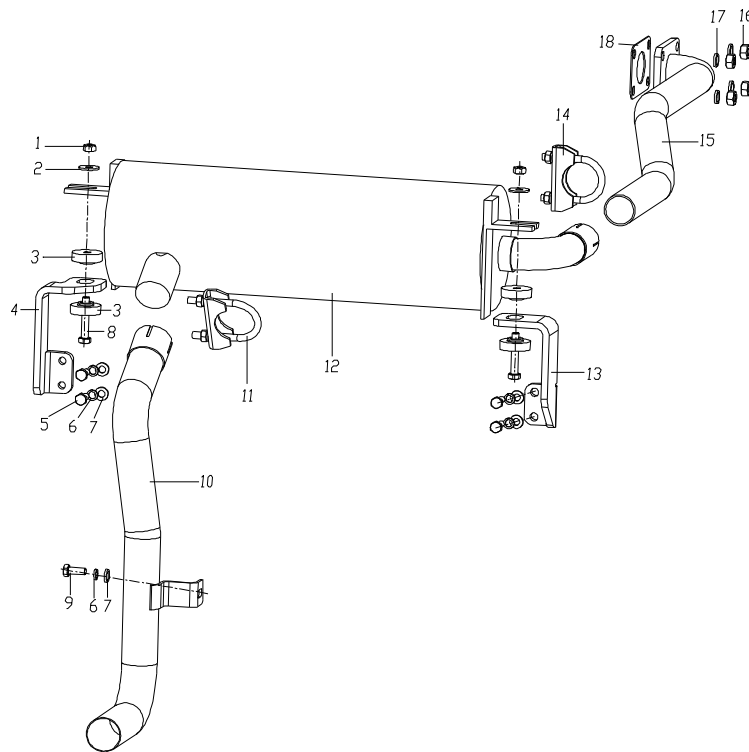


序号 Item	物料码 Part No.	名称 Description	数量 Qty	备注或适用车型 Remarks or Serial NO..
1	G001337-000008-00	螺母 M8 Nut M8	2	
2	G000096-000008-00	垫圈 8 Washer 8	3	
3	30DH-322000-000	环状减震垫 Ringlike dampener	4	
4	A257-320001-000	消声器左支架 Muffler bracket	1	
5	G005783-008025-00	螺栓 M8×25 Bolt M8×25	4	
6	G000093-000008-00	垫圈 8 Washer 8	5	
7	G0097P1-000008-00	垫圈 8 Washer 8	4	
8	G005782-008050-00	螺栓 M8×50 Bolt M8×50	2	
9	G005783-008016-00	螺栓 M8×16 Bolt M8×16	1	
10	A251-323000-000	排气尾管 Exhaust pipe	1	
11	N163-324000-000	抱箍 Clamp	1	
12	A301-322000-000	消声器总成 Muffler assy	1	
13	A257-320002-000	消声器右支架 Muffler bracket	1	
14	QY125-323000-000	抱箍 Clamp	1	
15	A307-321000-000	排气管 Exhaust pipe	1	

图 19 排气系统
Fig.19 Exhaust system

Ⓕ CPC20/25-AW10

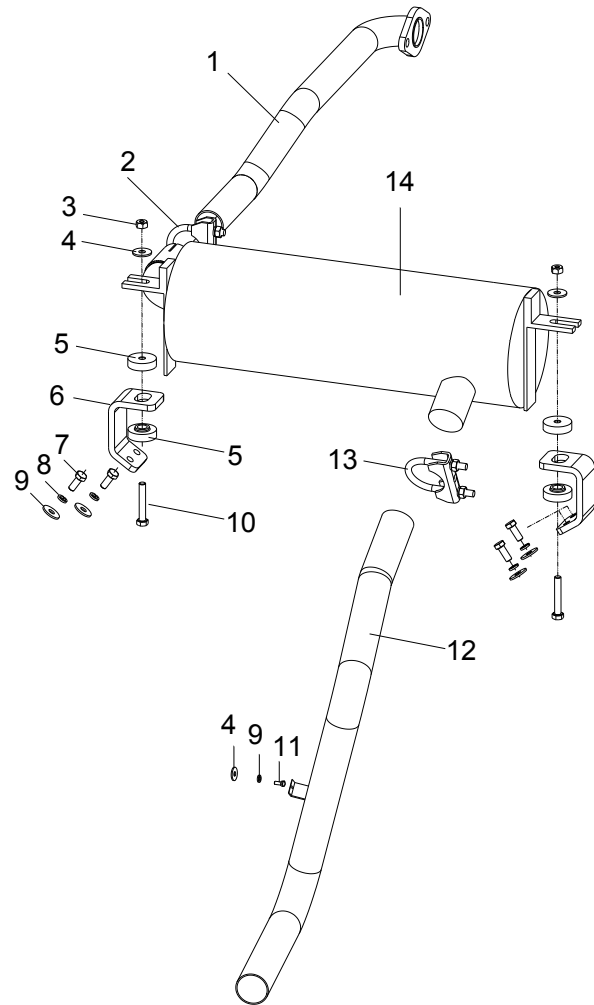
Ⓕ CPCD20/25-AW10



序号 Item	物料码 Part No.	名称 Description	数量 Qty	备注或适用车型 Remarks or Serial NO..
16	G006170-000010-00	螺母 M10 Nut M10	4	
17	G000093-000010-00	垫圈 10 Washer 10	4	
18	N121-320001-000	垫片 δ 1.75 washer	1	

图 20 排气系统
Fig.20 Exhaust system

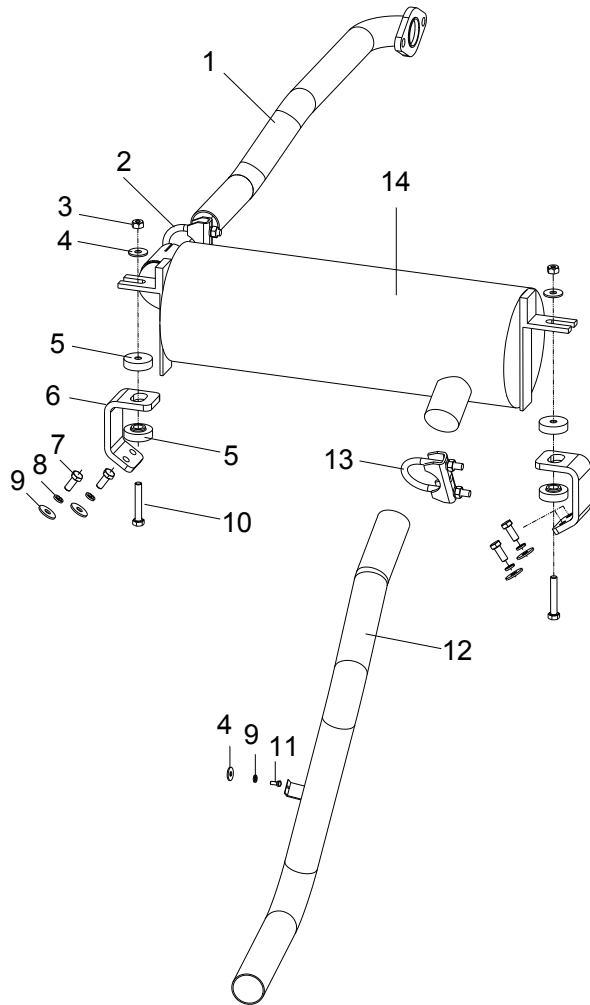
Ⓒ CPC30/35/38-AW13 Ⓓ CPCD30/35/38-AW13 Ⓔ CPC30/35/38-AW27 Ⓕ CPCD30/35/38-AW27
Ⓐ CPCD30/35/38-AG2E Ⓜ CPCD30/35-AW67



序号 Item	物料码 Part No.	名称 Description	数量 Qty	备注或适用车型 Remarks or Serial NO..
1	A302-321000-001	排气管 Exhaust pipe	1	Ⓒ Ⓓ A302-321000-000
1	A300-321000-000	排气管 Exhaust pipe	1	Ⓔ Ⓕ Ⓜ
1	AE310-321000-000	排气管 Exhaust pipe	1	Ⓐ
2	N163-324000-000	抱箍 Clamp	2	Ⓒ Ⓓ
2	QY125-323000-000	抱箍 Clamp	1	Ⓔ Ⓕ Ⓐ Ⓜ
3	G001337-000008-00	螺母 M8 Nut M8	2	
4	G000096-000008-00	垫圈 8 Washer 8	3	
5	30DH-322000-000	环状减震垫 Ringlike dampener	4	
6	A302-320001-000	消声器支架 Muffler bracket	2	
7	G005783-008025-00	螺栓 M8×25 Bolt M8×25	4	
8	G0097P1-000008-00	垫圈 8 Washer 8	4	
9	G000093-000008-00	垫圈 8 Washer 8	5	
10	G005782-008050-00	螺栓 M8×50 Bolt M8×50	2	
11	G005783-008016-00	螺栓 M8×16 Bolt M8×16	1	
12	A250-323000-000	排气尾管 Exhaust pipe	1	<2020-06-01

图 20 排气系统
Fig.20 Exhaust system

Ⓒ CPC30/35/38-AW13 Ⓖ CPCD30/35/38-AW13 ① CPC30/35/38-AW27 ①① CPCD30/35/38-AW27
 Ⓐ③ CPCD30/35/38-AG2E Ⓜ① CPCD30/35-AW67



序号 Item	物料码 Part No.	名称 Description	数量 Qty	备注或适用车型 Remarks or Serial NO..
12	A250-323000-001	排气尾管 Exhaust pipe	1	≥2020-06-01
13	N163-324000-000	抱箍 Clamp	1	① ①① Ⓐ③ Ⓜ①
14	A302-322000-000	消声器总成 Muffler assy	1	Ⓒ Ⓖ
14	A300-322000-000	消声器总成 Muffler assy	1	① ①① Ⓐ③ Ⓜ①

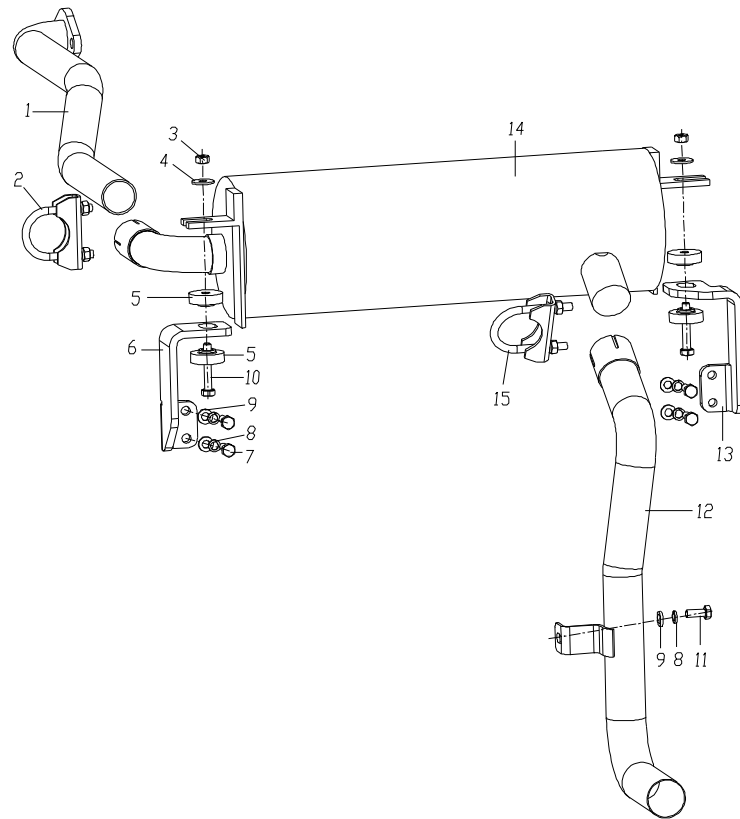
图 21 排气系统
Fig.21 Exhaust system

Ⓜ CPC20/25-AW13
ⓑ CPC20/25-AG2E

Ⓜ CPC20/25-AW13
Ⓝ CPC20/25-AW67

Ⓝ CPC20/25-AW27

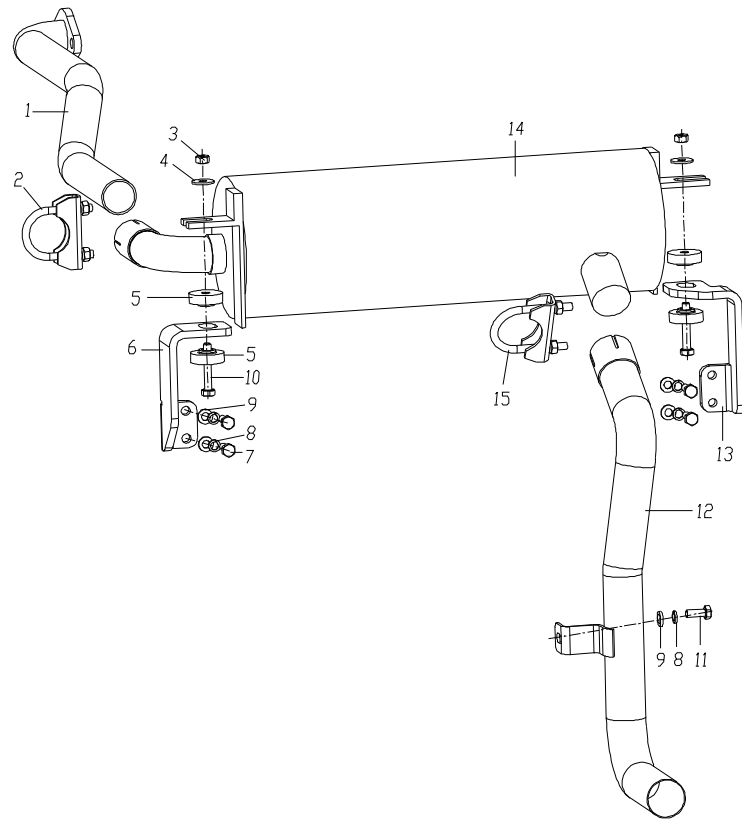
Ⓝ CPC20/25-AW27



序号 Item	物料码 Part No.	名称 Description	数量 Qty	备注或适用车型 Remarks or Serial NO..
1	A302-321000-001	排气管 Exhaust pipe	1	Ⓜ Ⓜ A302-321000-000
1	A300-321000-000	排气管 Exhaust pipe	1	Ⓝ Ⓝ Ⓝ
1	AE310-321000-000	排气管 Exhaust pipe	1	ⓑ
2	N163-324000-000	抱箍 Clamp	2	Ⓜ Ⓜ
2	QY125-323000-000	抱箍 Clamp	1	Ⓝ Ⓝ ⓑ Ⓝ
3	G001337-000008-00	螺母 M8 Nut M8	2	
4	G000096-000008-00	垫圈 8 Washer 8	4	
5	30DH-322000-000	环状减震垫 Ringlike dampener	4	
6	A252-320001-000	消声器左支架 Muffler bracket	1	
7	G005783-008025-00	螺栓 M8×25 Bolt M8×25	4	
8	G0097P1-000008-00	垫圈 8 Washer 8	5	
9	G000093-000008-00	垫圈 8 Washer 8	5	
10	G005782-008050-00	螺栓 M8×50 Bolt M8×50	2	
11	G005783-008016-00	螺栓 M8×16 Bolt M8×16	1	
12	A250-323000-000	排气尾管 Exhaust pipe	1	<2020-06-01

图 21 排气系统
Fig.21 Exhaust system

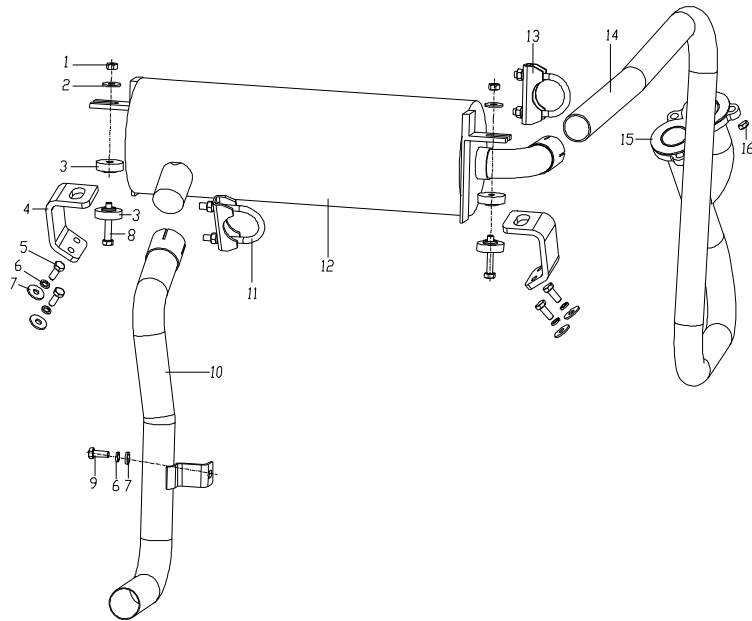
Ⓗ CPC20/25-AW13 Ⓗ¹ CPCD20/25-AW13 Ⓙ CPC20/25-AW27 Ⓙ¹ CPCD20/25-AW27
 Ⓑ³ CPCD20/25-AG2E Ⓝ¹ CPCD20/25-AW67



序号 Item	物料码 Part No.	名称 Description	数量 Qty	备注或适用车型 Remarks or Serial NO..
12	A250-323000-001	排气尾管 Exhaust pipe	1	≥2020-06-01
13	A252-320002-000	消声器右支架 Muffler bracket	1	
14	A302-322000-000	消声器总成 Muffler assy	1	Ⓗ Ⓗ ¹
14	A300-322000-000	消声器总成 Muffler assy	1	Ⓙ Ⓙ ¹ Ⓑ ³ Ⓝ ¹
15	N163-324000-000	抱箍 Clamp	1	Ⓙ Ⓙ ¹ Ⓑ ³ Ⓝ ¹

图 22 排气系统
Fig.22 Exhaust system

Ⓚ CPQ30/35/38-AW7 Ⓚ CPQD30/35/38-AW7

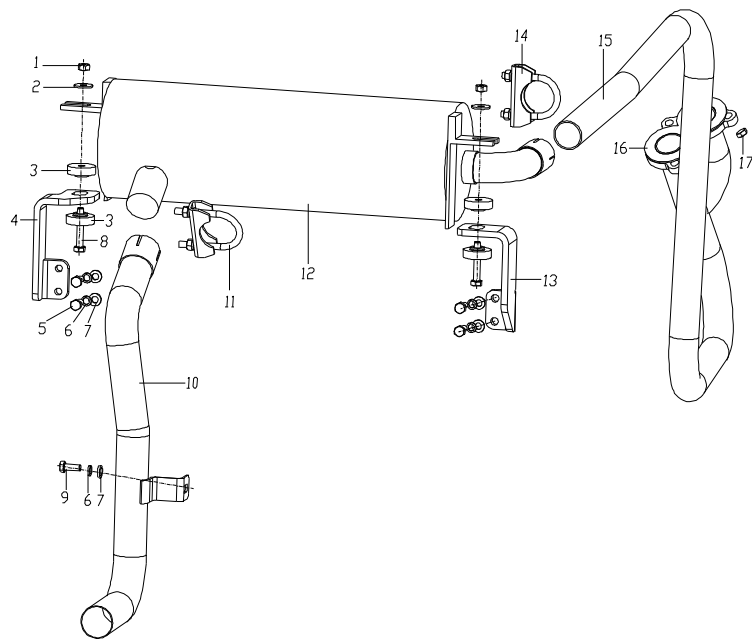


序号 Item	物料码 Part No.	名称 Description	数量 Qty	备注或适用车型 Remarks or Serial NO..
1	G001337-000008-00	螺母 M8 Nut M8	2	
2	G000096-000008-00	垫圈 8 Washer 8	3	
3	30DH-322000-000	环状减震垫 Ringlike dampener	4	
4	A302-320001-000	消声器支架 Muffler bracket	2	
5	G005783-008025-00	螺栓 M8×25 Bolt M8×25	4	
6	G000093-000008-00	垫圈 8 Washer 8	5	
7	G0097P1-000008-00	垫圈 8 Washer 8	5	
8	G005782-008050-00	螺栓 M8×50 Bolt M8×50	2	
9	G005783-008020-00	螺栓 M8×20 Bolt M8×20	1	
10	A301-323000-000	排气尾管 Exhaust pipe	1	
11	N163-324000-000	抱箍 Clamp	1	
12	A306-322000-000	消声器总成 Muffler assy	1	
13	QY125-323000-000	抱箍 Clamp	1	
14	A306-321000-000	排气管 Exhaust pipe	1	
15	R966-320001-G00	排气管垫片 Gasket	1	

图 23 排气系统
Fig.23 Exhaust system

Ⓛ CPQ20/25-AW7

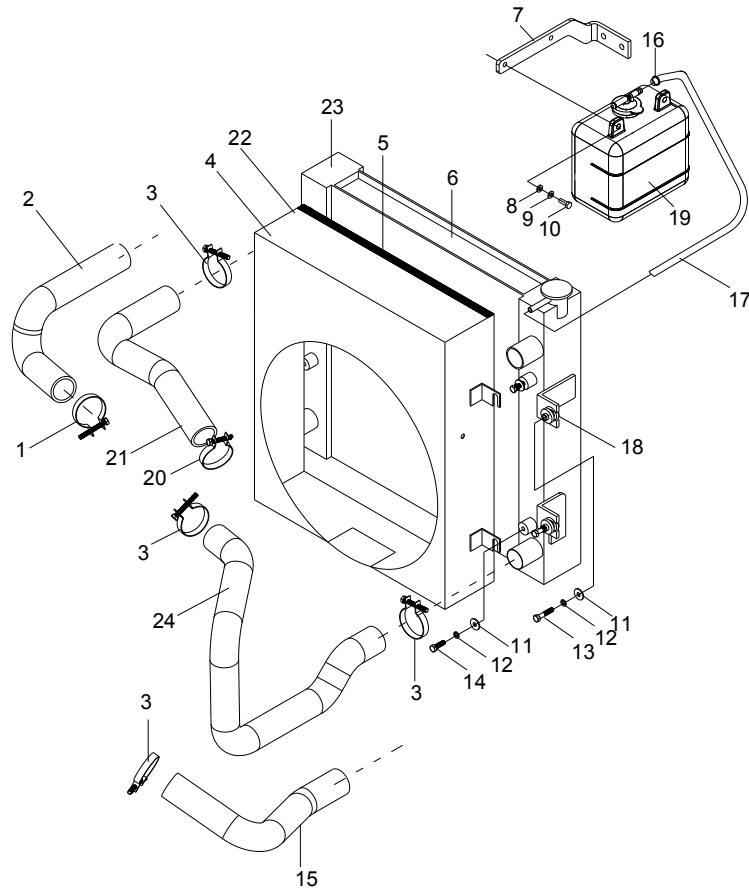
Ⓛ1 CPQD20/25-AW7



序号 Item	物料码 Part No.	名称 Description	数量 Qty	备注或适用车型 Remarks or Serial NO..
1	G001337-000008-00	螺母 M8 Nut M8	2	
2	G000096-000008-00	垫圈 8 Washer 8	3	
3	30DH-322000-000	环状减震垫 Ringlike dampener	4	
4	A257-320001-000	消声器左支架 Muffler bracket	1	
5	G005783-008025-00	螺栓 M8×25 Bolt M8×25	4	
6	G000093-000008-00	垫圈 8 Washer 8	5	
7	G0097P1-000008-00	垫圈 8 Washer 8	4	
8	G005782-008050-00	螺栓 M8×50 Bolt M8×50	2	
9	G005783-008020-00	螺栓 M8×20 Bolt M8×20	1	
10	A251-323000-000	排气尾管 Exhaust pipe	1	
11	N163-324000-000	抱箍 Clamp	1	
12	A306-322000-000	消声器总成 Muffler assy	1	
13	A257-320002-000	消声器右支架 Muffler bracket	1	
14	QY125-323000-000	抱箍 Clamp	1	
15	A306-321000-000	排气管 Exhaust pipe	1	

图 24 冷却系统
Fig.24 Cooling system

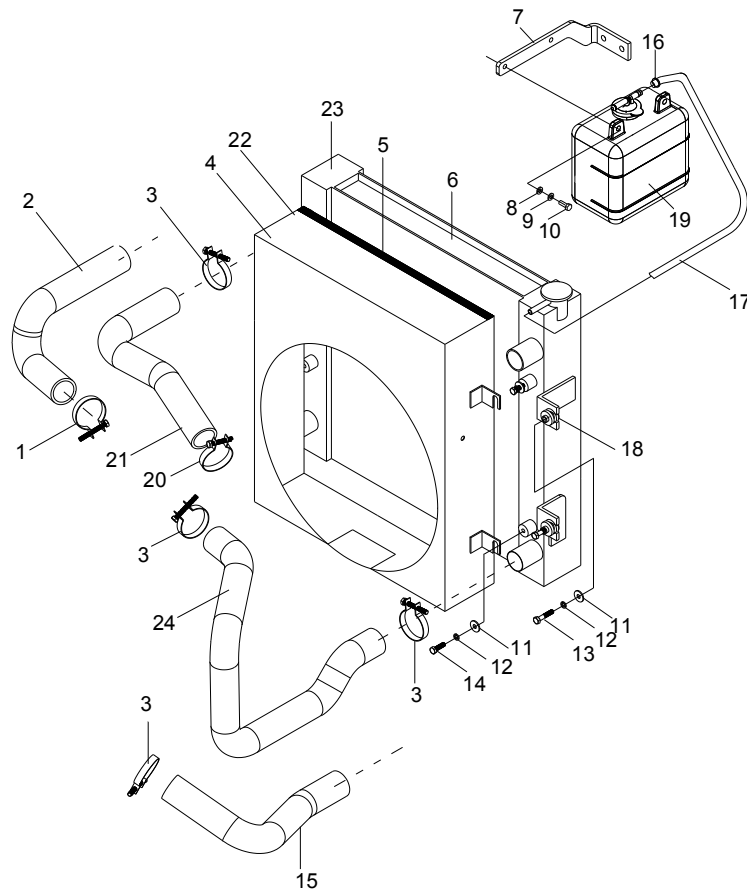
Ⓔ CPC30-AW10 Ⓔ1 CPCD30-AW10 Ⓕ CPC20/25-AW10 Ⓕ1 CPCD20/25-AW10
 Ⓔ2 CPC30-AXW10 Ⓔ3 CPCD30-AXW10
 Ⓕ2 CPC30/35/38-AW13 Ⓕ1 CPCD30/35/38-AW13 Ⓖ CPC20/25-AW13 Ⓖ1 CPCD20/25-AW13



序号 Item	代号 Part No.	名称 Description	数量 Qty	备注或适用车型 Remarks or Serial NO..
1	Q672-42-G00	双钢丝式环箍 42 Clamp 42	1	Ⓔ Ⓔ1 Ⓕ Ⓕ1
2	A307-330001-000	散热器进水胶管 Rubber pipe for intake	1	Ⓔ Ⓔ1 Ⓕ Ⓕ1
2	AX307-330001-000	散热器进水胶管 Rubber pipe for intake	1	Ⓔ2 Ⓔ3
3	Q672-45-G00	双钢丝式环箍 45 Clamp 45	3	
4	A307-332000-000	护风圈总成 Fan shroud assy	1	Ⓔ Ⓔ1 Ⓕ Ⓕ1
4	AX307-332000-000	护风圈总成 Fan shroud assy	1	Ⓔ2 Ⓔ3
5	N163-330003-000	密封条 Seal strip	1	
6	R9621-331000-001	散热器总成 Radiator assy	1	Ⓔ1 Ⓔ3 Ⓕ1 Ⓕ1 液力
7	A302-330003-000	支架 Bracket	1	
8	G000096-000008-00	垫圈 8 Washer 8	2	
9	G000093-000008-00	垫圈 8 Washer 8	2	
10	G005783-008020-00	螺栓 M8×20 Bolt M8×20	3	
11	G000096-000006-00	垫圈 6 Washer 6	8	
12	G000093-000006-00	垫圈 6 Washer 6	8	
13	G005783-006030-00	螺栓 M6×30 Bolt M6×30	4	

图 24 冷却系统
Fig.24 Cooling system

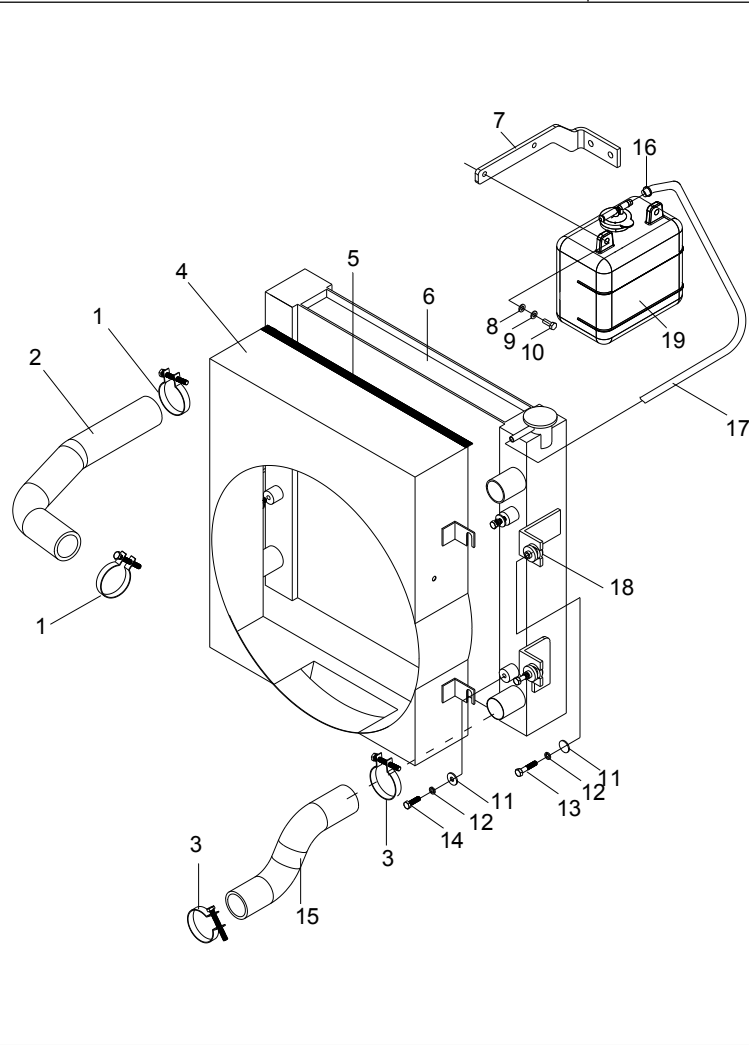
- (E) CPC30-AW10 (E1) CPCD30-AW10 (F) CPC20/25-AW10 (F1) CPCD20/25-AW10
 (E2) CPC30-AXW10 (E3) CPCD30-AXW10
 (G) CPC30/35/38-AW13 (G1) CPCD30/35/38-AW13 (H) CPC20/25-AW13 (H1) CPCD20/25-AW13



序号 Item	代号 Part No.	名称 Description	数量 Qty	备注或适用车型 Remarks or Serial NO..
14	G005783-006018-00	螺栓 M6×18 Bolt M6×18	4	
15	A307-330002-000	散热器出水胶管 Rubber pipe for outtake	1	(E) (E1) (F) (F1)
15	AX307-330002-000	散热器出水胶管 Rubber pipe for outtake	1	(E2) (E3)
16	Q672-12-G00	双钢丝式环箍 12 Clamp 12	2	
17	XF250-330003-W00	输水胶管Φ8×Φ12 Rubber pipe Φ8×Φ12	1	
18	N163-333000-001	缓冲垫 Cushion	4	
19	XF250-330200-G00	膨胀水箱 Expansion water box	1	
20	Q672-45-G00	双钢丝式环箍 45 Clamp 45	1	(G) (G1) (H) (H1)
21	A302-330001-000	散热器进水胶管 Rubber pipe for intake	1	(G) (G1) (H) (H1)
22	A302-332000-000	护风圈总成 Fan shroud assy	1	(G) (G1) (H) (H1)
23	R957-331000-001	散热器总成 Radiator assy	1	(E) (E2) (F) (G) (H) 机械
24	A302-330002-000	散热器出水胶管 Rubber pipe for outtake	1	(G) (G1) (H) (H1)

图 25 冷却系统
Fig.25 Cooling system

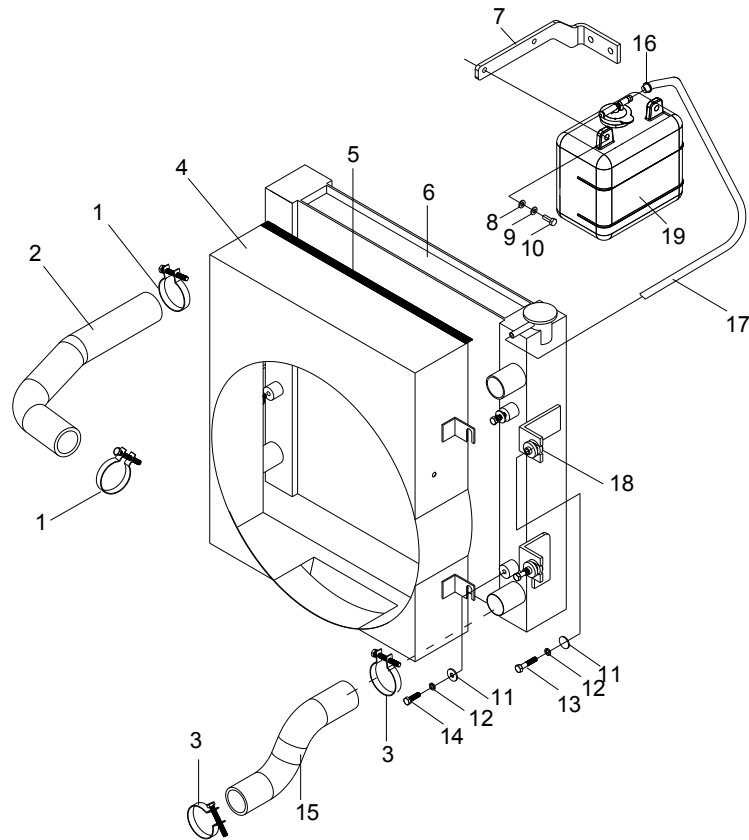
Ⓛ CPC30/35/38-AW27 Ⓛ1 CPCD30/35/38-AW27 ⓁJ CPC20/25-AW27 ⓁJ1 CPCD20/25-AW27
ⓁM1 CPCD30/35-AW67 ⓁN1 CPCD20/25-AW67



序号 Item	代号 Part No.	名称 Description	数量 Qty	备注或适用车型 Remarks or Serial NO..
1	Q672-50-G00	双钢丝式环箍 50 Clamp 50	2	
2	A250-330001-000	散热器进水管 Rubber pipe for intake	1	
3	Q672-45-G00	双钢丝式环箍 45 Clamp 45	2	
4	A250-332000-000	护风圈总成 Fan shroud assy	1	
5	N163-330003-000	密封条 Seal strip	1	
6	N150-334000-001	散热器总成 Radiator assy	1	N150-334000-000
7	A302-330003-000	小水壶支架 Bracket	1	
8	G000096-000008-00	垫圈 8 Washer 8	2	
9	G000093-000008-00	垫圈 8 Washer 8	2	
10	G005783-008020-00	螺栓 M8×20 Bolt M8×20	3	
11	G000096-000006-00	垫圈 6 Washer 6	8	
12	G000093-000006-00	垫圈 6 Washer 6	8	
13	G005783-006030-00	螺栓 M6×30 Bolt M6×30	4	
14	G005783-006018-00	螺栓 M6×18 Bolt M6×18	4	
15	A305-330002-000	散热器出水管 Rubber pipe for outtake	1	

图 25 冷却系统
Fig.25 Cooling system

① CPC30/35/38-AW27 ①① CPCD30/35/38-AW27 ①② CPC20/25-AW27 ①③ CPCD20/25-AW27
①④ CPCD30/35-AW67 ①⑤ CPCD20/25-AW67



序号 Item	代号 Part No.	名称 Description	数量 Qty	备注或适用车型 Remarks or Serial NO..
16	Q672-12-G00	双钢丝式环箍 12 Clamp 12	2	
17	A300-330003-W00	输水胶管Φ8×Φ12 Rubber pipe Φ8×Φ12	1	
18	N163-333000-001	缓冲垫 Cushion	4	
19	XF250-330200-G00	膨胀水箱 Expansion water box	1	

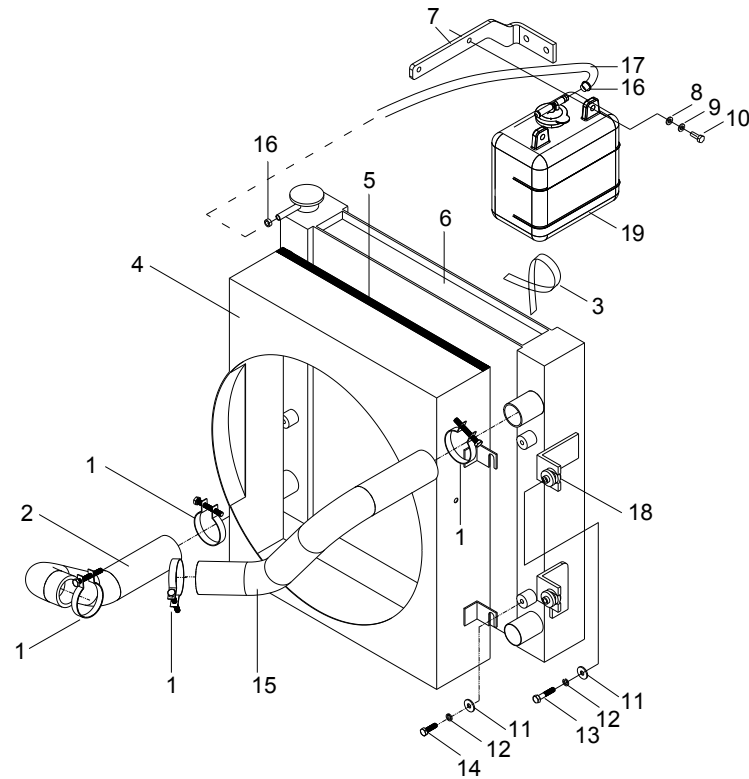
图 26 冷却系统
Fig.26 Cooling system

Ⓚ CPQ30/35/38-AW7

Ⓚ① CPQD30/35/38-AW7

Ⓚ CPQ20/25-AW7

Ⓚ① CPQD20/25-AW7



序号 Item	代号 Part No.	名称 Description	数量 Qty	备注或适用车型 Remarks or Serial NO..
1	Q672-45-G00	双钢丝式环箍 45 Clamp 45	4	
2	A306-330002-000	散热器出水管 Rubber pipe for outtake	1	
3	XF250-700001-G00	扎带 Ribbon	2	
4	A306-332000-000	护风圈总成 Fan shroud assy	1	
5	N163-330003-000	密封条 Seal strip	1	
6	30HBG32-331000	散热器总成 Radiator assy	1	Ⓚ Ⓚ
6	R9317-331000-000	散热器总成 Radiator assy	1	Ⓚ① Ⓚ①
7	A302-330003-000	小水壶支架 Bracket	1	
8	G000096-000008-00	垫圈 8 Washer 8	2	
9	G000093-000008-00	垫圈 8 Washer 8	2	
10	G005783-008020-00	螺栓 M8×20 Bolt M8×20	2	
11	G000096-000006-00	垫圈 6 Washer 6	8	
12	G000093-000006-00	垫圈 6 Washer 6	4	
13	G005783-006030-00	螺栓 M6×30 Bolt M6×30	4	
14	G005783-006018-00	螺栓 M6×18 Bolt M6×18	4	

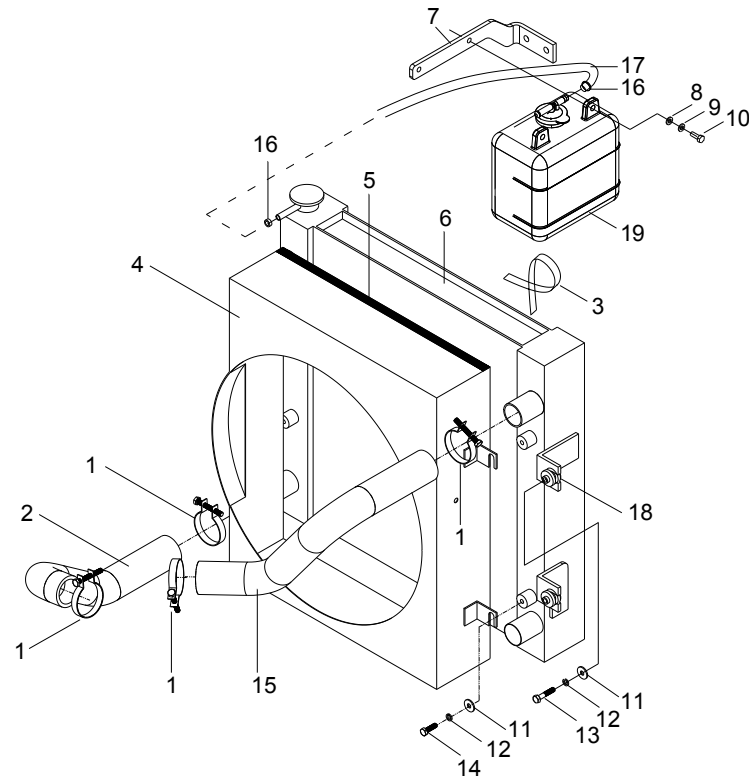
图 26 冷却系统
Fig.26 Cooling system

Ⓚ CPQ30/35/38-AW7

Ⓚ1 CPQD30/35/38-AW7

Ⓛ CPQ20/25-AW7

Ⓛ1 CPQD20/25-AW7



序号 Item	代号 Part No.	名称 Description	数量 Qty	备注或适用车型 Remarks or Serial NO..
15	A306-330001-000	散热器进水管 Rubber pipe for intake	1	
16	Q676B-16-G00	蜗杆传动式软管环箍 16 Clamp 16	2	
17	N163-330001-W00	输水胶管Φ8×Φ12 Rubber pipe Φ8×Φ12	1	
18	N163-333000-001	缓冲垫 Cushion	4	
19	XF250-330200-G00	膨胀水箱 Expansion water box	1	

图 27 燃油系统
Fig. 27 Fuel system

Ⓔ CPC30-AW10
Ⓔ CPC30-AXW10

Ⓔ CPCD30-AW10
Ⓔ CPCD30-AXW10

Ⓔ CPC20/25-AW10

Ⓔ CPCD20/25-AW10

序号 Item	物料码 Part No.	名称 Description	数量 Qty	备注或适用车型 Remarks or Serial NO..
1	7LK-000-G00	柴油滤清器总成 Fitter assy	1	
2	R961-340004-000	支架 Bracket	1	
3	G000093-000008-00	垫圈 8 Washer 8	8	
4	G005783-008020-00	螺栓 M8×20 Bolt M8×20	4	
5	Q672-18-G00	双钢丝式环箍 18 Clampe 18	6	
6	R961-340002-W00	输油胶管 (内径Φ8) Rubber pipe	1	
7	R961-340001-W00	输油胶管 (内径Φ8) Rubber pipe	1	
8	G005783-006016-00	螺栓 M6×16 Bolt M6×16	6	
9	R961-340003-W00	输油胶管 (内径Φ8) Rubber pipe	1	
10	N163-341000-G00	燃油箱盖 Cover of fuel case	1	
11	J000982-000006-00	垫圈 6 Washer 6	6	
12	J000982-000024-00	垫圈 24 Washer 24	1	
13	N163-340008-000	螺塞 Pulg	1	
14	N163-340002-000	磁铁 Ring magnetic iron	1	
15	A307-341000-000	燃油箱盖组件 Cover of fuel case	1	包含/INC:15-1

图 27 燃油系统
Fig. 27 Fuel system

Ⓔ CPC30-AW10
Ⓔ CPC30-AXW10

Ⓔ CPCD30-AW10
Ⓔ CPCD30-AXW10

Ⓔ CPC20/25-AW10

Ⓔ CPCD20/25-AW10

序号 Item	物料码 Part No.	名称 Description	数量 Qty	备注或适用车型 Remarks or Serial NO..
15-1	30DH-441000	燃油滤芯 Suction filter	1	
16	A300-340001-000	垫 washer	1	
17	Q672-16-G00	双钢丝式环箍 16 Clampe 16	6	
18	R961-340004-W00	输油胶管 (内径Φ8) Rubber pipe	1	
19	G005783-008025-00	螺栓 M8×25 Bolt M8×25	4	
20	30HB-341000	油水分离器 Oil-water separator	1	
21	NC967-340100-000	安装支架 Bracket	1	

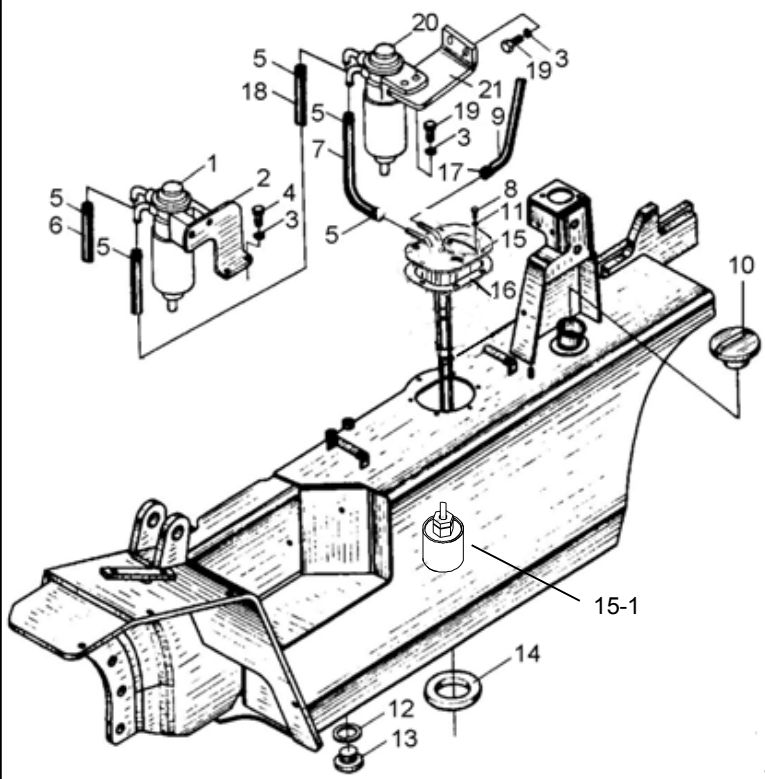


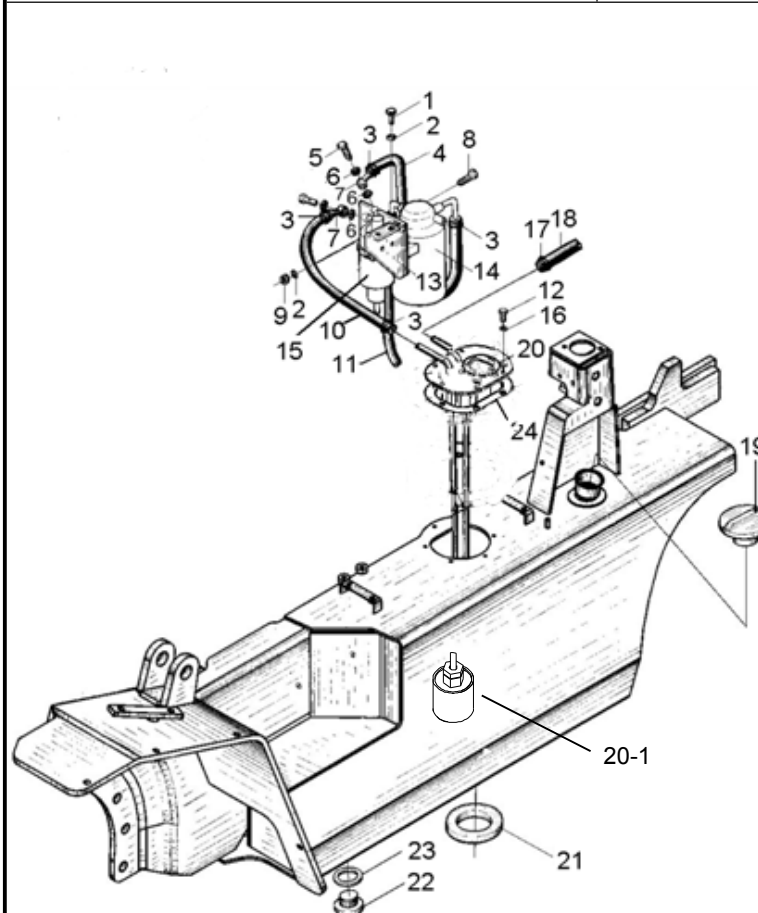
图 28 燃油系统
Fig. 28 Fuel system

© CPC30/35/38-AW13 © CPCD30/35/38-AW13 ④ CPC20/25-AW13 ④ CPCD20/25-AW13

序号 Item	物料码 Part No.	名称 Description	数量 Qty	备注或适用车型 Remarks or Serial NO..
1	G005783-008020-00	螺栓 M8×20 Bolt M8×20	2	
2	G000093-000008-00	垫圈 8 Washer 8	4	
3	Q672-18-G00	双钢丝式环箍 18 Clampe 18	6	
4	R932-340004-W00	输油胶管 (内径Φ8) Rubber pipe	1	
5	N152-340006-000	管接头螺栓 Bolt	1	
6	J000982-000014-00	垫圈 14 Washer 14	4	
7	3E-160002	吸油接头 connector	2	
8	G005783-008025-00	螺栓 M8×25 Bolt M8×25	2	
9	G006170-000008-00	螺母 M8 Nut M8	2	
10	R932-340001-W00	输油胶管 (内径Φ8) Rubber pipe	1	
11	R932-340002-W00	输油胶管 (内径Φ8) Rubber pipe	1	
12	G005783-006016-00	螺栓 M6×16 Bolt M6×16	6	
13	N152-340002-000	支架 Bracket	1	
14	N152-341000-G00	柴油滤清器总成 Fitter assy	1	
15	N152-342000-G00	沉淀杯总成 Filt nipple	1	

图 28 燃油系统
Fig. 28 Fuel system

© CPC30/35/38-AW13 © CPCD30/35/38-AW13 © CPC20/25-AW13 © CPCD20/25-AW13



序号 Item	物料码 Part No.	名称 Description	数量 Qty	备注或适用车型 Remarks or Serial NO..
16	J00982-000006-00	垫圈 6 washer	6	
17	Q672-16-G00	双钢丝式环箍 16 Clampe 16	2	
18	R932-340003-W00	输油胶管 (内径Φ8) Rubber pipe	1	
19	N163-341000-G00	燃油箱盖 Cover of fuel case	1	
20	A302-341000-000	燃油箱盖组件 Cover of fuel case	1	包含/INC:20-1
20-1	30DH-441000	燃油滤芯 Suction filter	1	
21	N163-340002-000	磁铁 Ring magnetic iron	1	
22	N163-340008-000	螺塞 Pulg	1	
23	J000982-000024-00	垫圈 24 Washer 24	1	
24	A300-340001-000	垫 washer	1	

图 29 燃油系统
Fig.29 Fuel system

① CPC30/35/38-AW27

①① CPCD30/35/38-AW27

② CPC20/25-AW27

③① CPCD20/25-AW27

①①① CPCD30/35-AW67

①①① CPCD20/25-AW67

序号 Item	物料码 Part No.	名称 Description	数量 Qty	备注或适用车型 Remarks or Serial NO..
1	J000982-000024-00	垫圈 24 Washer 24	1	
2	N163-340008-000	螺塞 Pulg	1	
3	N163-340002-000	磁铁 Ring magnetic iron	1	
4	N163-341000-G00	燃油箱盖 Cover of fuel case	1	
5	R960-340003-W00	输油胶管Φ8×Φ16.5 Rubber pipe	1	
6	Q672-18-G00	双钢丝式环箍 18 Clampe 18	4	
8	A300-341000-000	燃油箱盖组件 Cover of fuel case	1	包含/INC:8-1
8-1	30DH-441000	燃油滤芯 Suction filter	1	
9	G005783-006016-00	螺栓 M6×16 Bolt M6×16	6	
10	J000982-000006-00	垫圈 6 Washer 6	6	
11	A300-340001-000	垫 washer	1	
12	R960-340002-W00	输油胶管Φ8×Φ16.5 Rubber pipe	1	

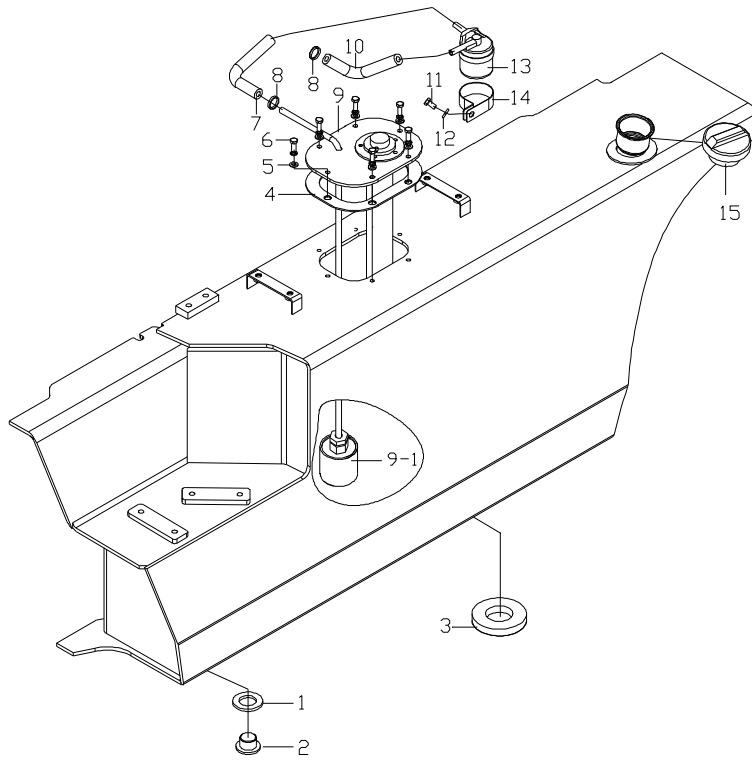
图 30 燃油系统
Fig. 30 Fuel system

Ⓚ CPQ30/35/38-AW7

Ⓚ¹ CPQD30/35/38-AW7

Ⓚ CPQ20/25-AW7

Ⓚ¹ CPQD20/25-AW7



序号 Item	物料码 Part No.	名称 Description	数量 Qty	备注或适用车型 Remarks or Serial NO..
1	J000982-000024-00	垫圈 24 Washer 24	1	
2	N163-340008-000	螺塞 Pulg	1	
3	N163-340002-000	磁铁 Ring magnetic iron	1	
4	A300-340001-000	垫 washer	1	
5	J000982-000006-00	垫圈 6 Washer 6	6	
6	G005783-006016-00	螺栓 M6×16 Bolt M6×16	6	
7	R960-340003-W00	输油胶管Φ8×Φ16.5 Rubber pipe	1	
8	Q672-18-G00	双钢丝式环箍 18 Clampe 18	4	
9	A306-341000-000	燃油箱盖组件 Cover of fuel case	1	
9-1	XB256-341100-000	燃油滤芯 Suction filter	1	
10	R960-340002-W00	输油胶管Φ8×Φ16.5 Rubber pipe	1	
11	G005783-008025-00	螺栓 M8×25 Bolt M8×25	1	
12	G000093-000008-00	垫圈 8 Washer 8	1	
13	R966-341000-G00	汽油滤清器 Filter	1	
14	R966-340002-000	抱箍 Clampe	1	

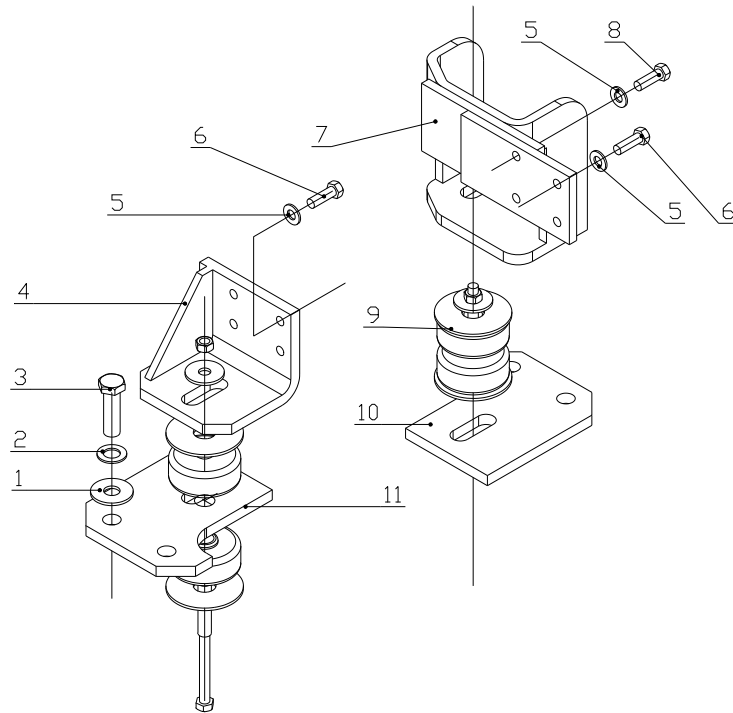
图 31 发动机安装
Fig. 31 Engine mount

Ⓔ CPC30-AW10

Ⓔ CPCD30-AW10

Ⓔ CPC20/25-AW10

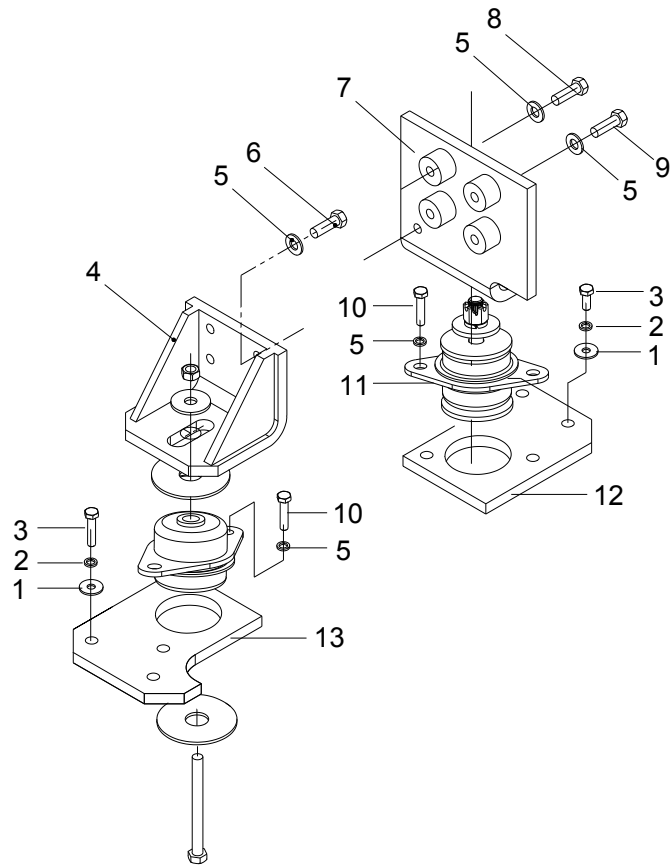
Ⓔ CPCD20/25-AW10



序号 Item	物料码 Part No.	名称 Description	数量 Qty	备注或适用车型 Remarks or Serial NO..
1	N163-350002-000	垫圈 Washer	4	
2	G000093-000016-00	垫圈 16 Washer 16	4	
3	G005786-016055-01	螺栓 M16×1.5×55 Bolt M16×1.5×55	4	
4	N121-350100-000	发动机左支架 Engine left bracket	1	
5	G000093-000010-00	垫圈 10 Washer 10	8	
6	G005786-010030-00	螺栓 M10×1.25×30 Bolt M10×1.25×30	6	
7	N121-350200-000	发动机右支架 Engine right bracket	1	
8	G005786-010040-00	螺栓 M10×1.25×40 Bolt M10×1.25×40	2	
9	N150-350100-000	缓冲垫总成 Cushion assy	2	
10	N150-350002-000	发动机右安装板 Engine right mount plate	1	
11	N150-350001-000	发动机左安装板 Engine left mount plate	1	

图 32 发动机安装
Fig. 32 Engine mount

© CPC30/35/38-AW13 © CPCD30/35/38-AW13 © CPC20/25-AW13 © CPCD20/25-AW13



序号 Item	物料码 Part No.	名称 Description	数量 Qty	备注或适用车型 Remarks or Serial NO..
1	N163-350002-000	垫圈 Washer	4	
2	G000093-000016-00	垫圈 16 Washer 16	4	
3	G005786-016055-01	螺栓 M16×1.5×55 Bolt M16×1.5×55	4	
4	N152-350100-000	发动机左支架 Engine left bracket	1	
5	G000093-000010-00	垫圈 10 Washer 10	12	
6	G005786-010035-00	螺栓 M10×1.25×35 Bolt M10×1.25×35	4	发动机带 Engines equipped with
7	N152-350200-000	发动机右支架 Engine right bracket	1	
8	G005786-010045-00	螺栓 M10×1.25×45 Bolt M10×1.25×45	3	发动机带 Engines equipped with
9	G005786-010030-00	螺栓 M10×1.25×30 Bolt M10×1.25×30	1	发动机带 Engines equipped with
10	G000093-010025-00	螺栓 M10×25 Bolt M10×25	4	
11	R932-350100-000	缓冲垫总成 Cushion assy	2	
12	R932-350002-000	发动机右安装板 Engine right mount plate	1	
13	R932-350001-000	发动机左安装板 Engine left mount plate	1	

图 33 发动机安装
Fig.33 Engine mount

① CPC30/35/38-AW27 ①① CPCD30/35/38-AW27 ①② CPC20/25-AW27 ①③ CPCD20/25-AW27
 ①④ CPCD30/35-AW67 ①⑤ CPCD20/25-AW67

	序号 Item	物料码 Part No.	名称 Description	数量 Qty	备注或适用车型 Remarks or Serial NO..
	1	N150-350001-000	发动机左安装板 Engine left mount plate	1	
	2	N163-350002-000	垫圈 Washer	4	
	3	G000093-000016-00	垫圈 16 Washer 16	4	
	4	G005786-016055-01	螺栓 M16×1.5×55 Bolt M16×1.5×55	4	
	5	N150-350100-000	缓冲垫总成 Cushion assy	2	
	6	N150-350002-000	发动机右安装板 Engine right mount plate	1	

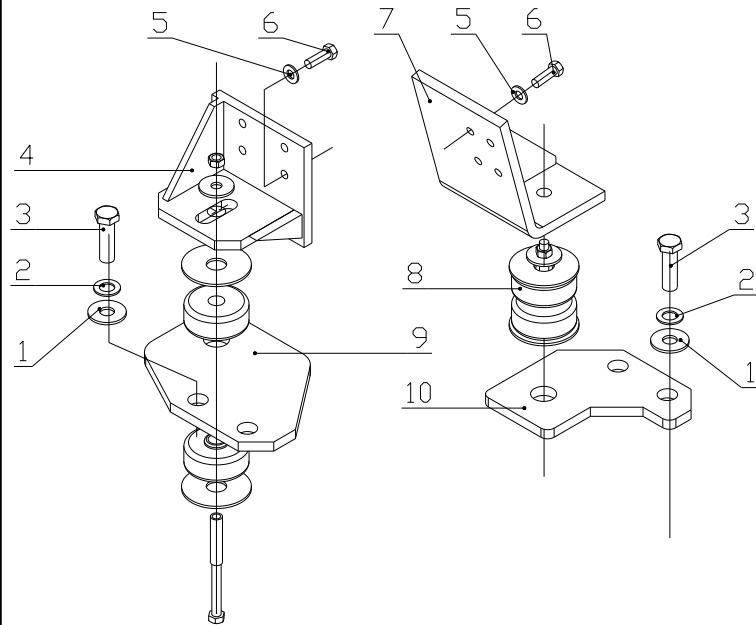
图 34 发动机安装
Fig. 34 Engine mount

Ⓚ CPQ30/35/38-AW7

Ⓚ1 CPQD30/35/38-AW7

Ⓛ CPQ20/25-AW7

Ⓛ1 CPQD20/25-AW7

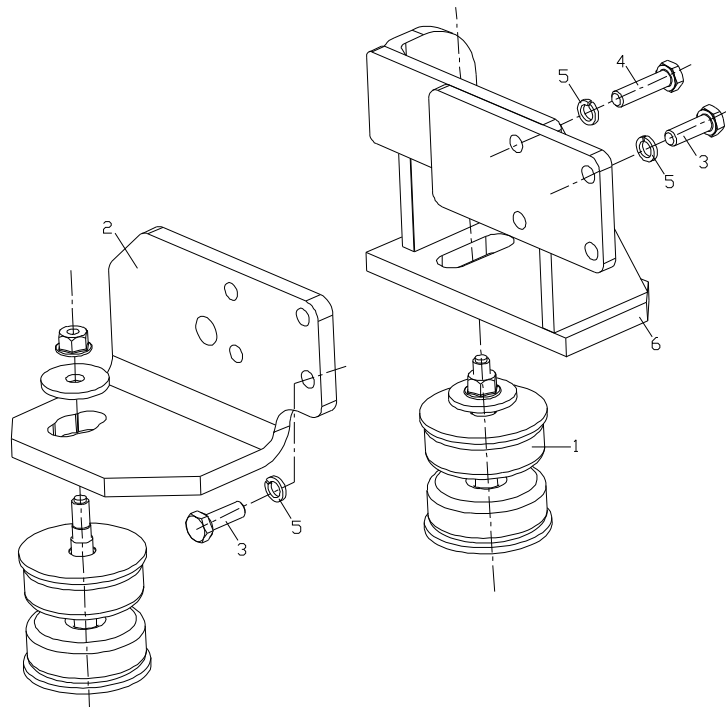


序号 Item	物料码 Part No.	名称 Description	数量 Qty	备注或适用车型 Remarks or Serial NO..
1	N163-350002-000	垫圈 Washer	4	
2	G000093-000016-00	垫圈 16 Washer 16	4	
3	G005786-016055-01	螺栓 M16×1.5×55 Bolt M16×1.5×55	4	
4	R966-350100-000	发动机左支架 Engine left bracket	1	
5	G000093-000010-00	垫圈 10 Washer 10	8	
6	G005783-010040-00	螺栓 M10×40 Bolt M10×40	8	
7	R966-350200-000	发动机右支架 Engine right bracket	1	
8	N150-350100-000	缓冲垫总成 Cushion assy	2	
9	R966-350001-000	发动机安装板 Engine left mount plate	1	
10	R966-350002-000	发动机左安装板 Engine right mount plate	1	

图 35 发动机安装
Fig. 35 Engine mount

Ⓔ CPC30-AXW10

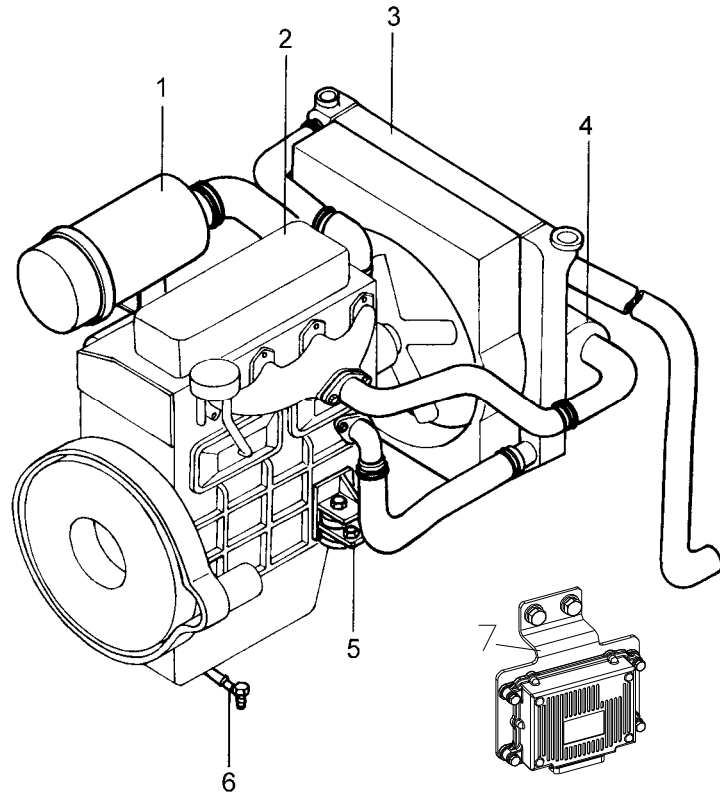
Ⓔ CPCD30-AXW10



序号 Item	物料码 Part No.	名称 Description	数量 Qty	备注或适用车型 Remarks or Serial NO..
1	N150-350100-000	缓冲垫总成 Cushion assy	2	
2	DZ257-350100-000	发动机左支架 Engine left bracket	1	
3	G005786-010030-00	螺栓 M10×1.25×30 Bolt M10×1.25×30	6	
4	G005786-010040-00	螺栓 M10×1.25×40 Bolt M10×1.25×40	2	
5	G000093-000010-00	垫圈 10 Washer 10	8	
6	DZ257-350200-000	发动机右支架 Engine left bracket	1	

图 36 动力系统
Fig.36 Power system

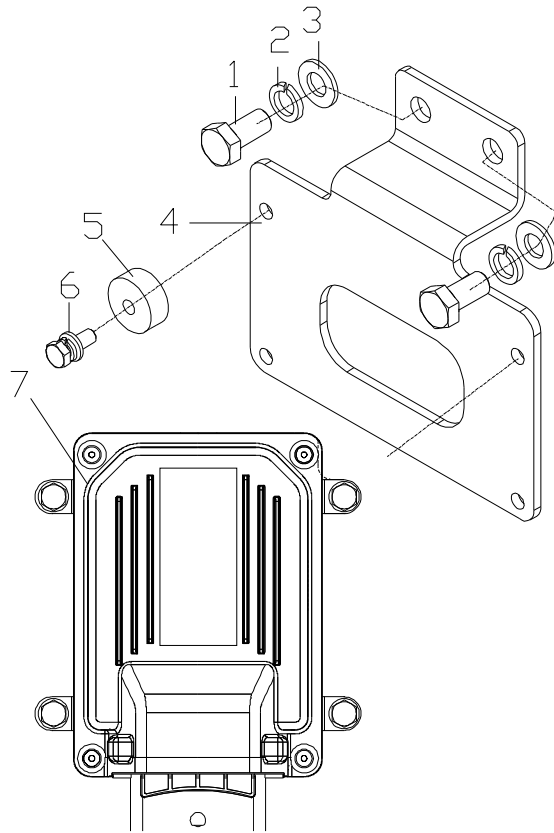
W CPC30/35/38-AG70 W CPCD30/35/38-AG70 X CPC20/25-AG70 X1 CPCD20/25-AG70
Y CPC30/35/38-AG70J Y1 CPCD30/35/38-AG70J Z CPC20/25-AG70J Z1 CPCD20/25-AG70J
Y2 CPC30/35-AG70J-Z Y3 CPC30/35-AG70JG-Z



序号 Item	物料码 Part No.	名称 Description	数量 Qty	备注或适用车型 Remarks or Serial NO..
1	A300-310000-000	进气系统 Air intake system	1	见图 37 See Fig.37
1	AGZ309-310000-000	进气系统 Air intake system	1	Y3 见图 3-1 See Fig.3-1
2	A3012-301000-G00	柴油机 Diesel engine	1	W X W1 X1
2	A3013-301000-G00	柴油机 Diesel engine	1	Y Y1 Z Z1 Y2
2	AGZ3013-301000-G00	柴油机 Diesel engine	1	Y3
3	A3012-330000-000	冷却系统 Cooling system	1	W X Y Z Y2 见图 39 See Fig.39
3	A3112-330000-000	冷却系统 Cooling system	1	W1 X1 Y1 Z1 见图 39 See Fig.39
3	AGZ309-330000-000	冷却系统 Cooling system	1	Y3 见图 8 See Fig.8
4	A3012-320000-000	排气系统 Exhaust system	1	3.0t-3.8t 见图 38 See Fig.38
4	AGZ309-320000-000	排气系统 Exhaust system	1	Y3 见图 4-1 See Fig.4-1
4	A2512-320000-000	排气系统 Exhaust system	2	2.0t-2.5t 见图 38 See Fig.38
5	R3110-350100-000	缓冲垫总成 Cushion assy	2	见图 11-2 See Fig.11-2
6	A3012-340000-000	燃油系统 Fuel system	1	
7	A3012-360000-000	电控单元总成 ECU assy	1	见图 36-A See Fig.36-A

图 36-A 电控单元总成
Fig.36-A ECU assy

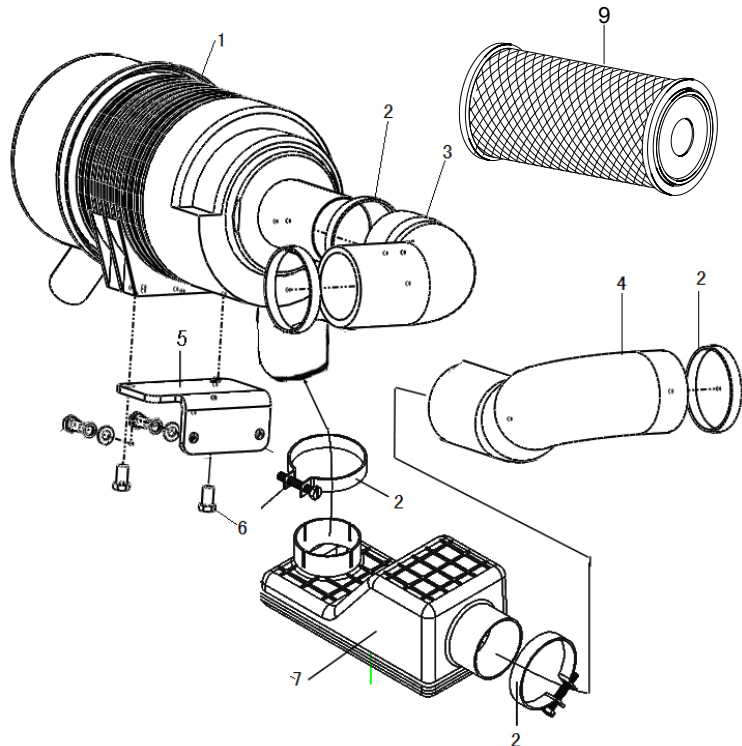
Ⓜ CPC30/35/38-AG70 Ⓜ CPCD30/35/38-AG70 ⓧ CPC20/25-AG70 ⓧ CPCD20/25-AG70
Ⓜ CPC30/35/38-AG70J Ⓜ CPCD30/35/38-AG70J ⓧ CPC20/25-AG70J ⓧ CPCD20/25-AG70J
Ⓜ CPC30/35-AG70J-Z Ⓜ CPC30/35-AG70JG-Z



序号 Item	物料码 Part No.	名称 Description	数量 Qty	备注或适用车型 Remarks or Serial NO..
1	G005783-00820-00	螺栓 M8×20 Bolt M8×20	2	
2	G000093-000008-00	垫圈 8 Washer 8	2	
3	G0097P1-000008-00	垫圈 8 Washer 8	2	
4	R3114-360001-000	ECU 安装支架 ECU Bracket	1	
5	R3114-360010-000	缓冲垫 Cushion	4	
6	G907417-006035-00	螺栓组合件 M6×35 Bolt assy	4	
7	A3012-360100-G00	电控单元 (ECU) ECU	1	

图 37 进气系统
Fig.37 Air intake system

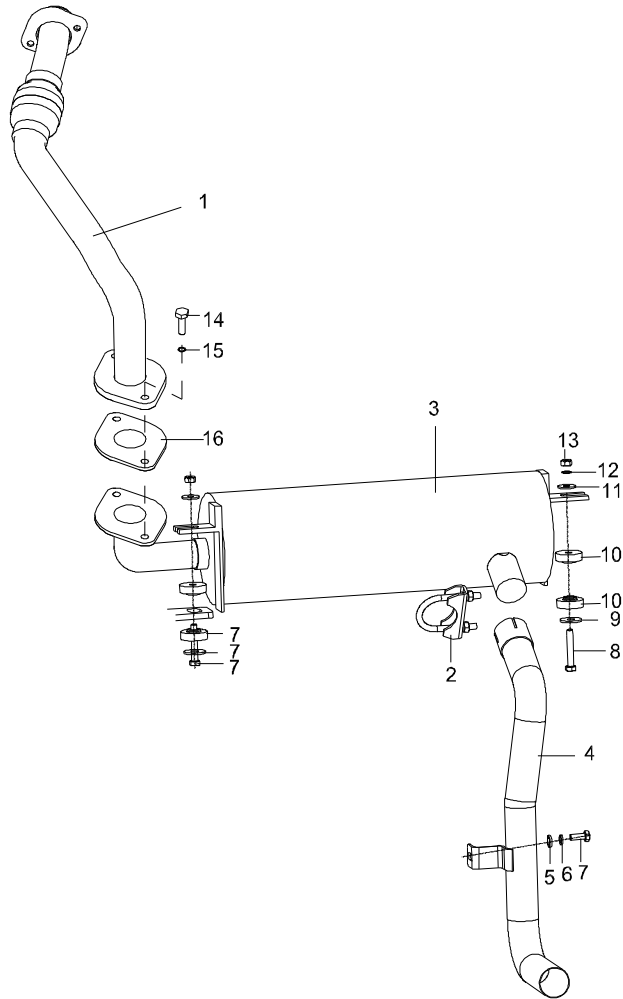
W CPC30/35/38-AG70 W CPCD30/35/38-AG70 X CPC20/25-AG70 X1 CPCD20/25-AG70
 Y CPC30/35/38-AG70J Y1 CPCD30/35/38-AG70J Z CPC20/25-AG70J Z1 CPCD20/25-AG70J
 Y2 CPC30/35-AG70J-Z



序号 Item	物料码 Part NO.	名称 Description	数量 Qty	备注或适用车型 Remarks or Serial NO..
1	A300-311000-000	空气滤清器 Air cleaner	1	
2	Q676-76-G00	蜗杆传动式软管环箍 76 Clamp 76	5	
3	A300-310001-000	发动机进气管 Engine air intake pipe	1	
4	A300-310004-001	进气管 Air intake pipe	1	
5	30DHW15-400002	空滤器支架 Air cleaner Bracket	1	
6	G907417-008016-00	组合螺栓 M8×16 Bolt assy M8×16	4	
7	A300-312000-000	进气消声器 Air inlet muffler	1	
9	KW1330	滤芯 Filter	1	

图 38 排气系统
Fig.38 Exhaust system

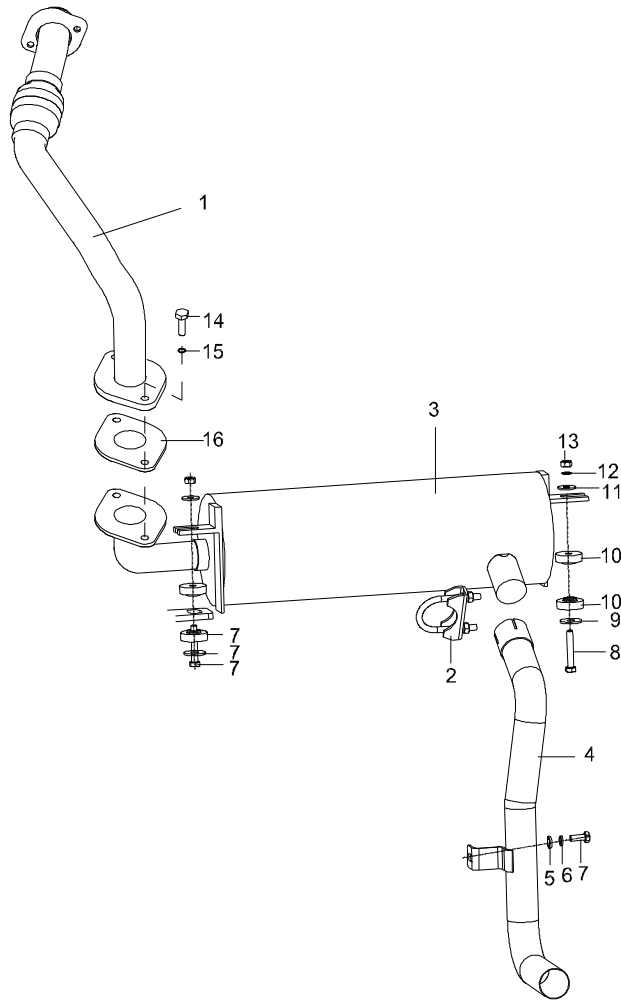
Ⓜ CPC30/35/38-AG70 Ⓜ CPCD30/35/38-AG70 ⓧ CPC20/25-AG70 ⓧ CPCD20/25-AG70
Ⓜ CPC30/35/38-AG70J Ⓜ CPCD30/35/38-AG70J ⓧ CPC20/25-AG70J ⓧ CPCD20/25-AG70J
Ⓜ CPC30/35-AG70J-Z



序号 Item	物料码 Part No.	名称 Description	数量 Qty	备注或适用车型 Remarks or Serial NO..
1	A3012-321000-000	排气管 Exhaust pipe	1	
2	N163-324000-000	抱箍 Clamp	1	
3	A3012-322000-000	消声器总成 Muffler assy	1	
4	A300-323000-000	排气尾管 Exhaust pipe	1	3.0t-3.8t < 2020-06-01
4	A300-323000-001	排气尾管 Exhaust pipe	1	3.0t ≥ 2020-06-01
4	A350-323000-000	排气尾管 Exhaust pipe	1	3.5t-3.8t ≥ 2020-06-01
4	A250-323000-000	排气尾管 Exhaust pipe	1	2.0t-2.5t < 2020-06-01
4	A250-323000-001	排气尾管 Exhaust pipe	1	≥ 2020-06-01
5	G0097P1-000008-00	垫圈 8 Washer 8	1	
6	G000093-000008-00	垫圈 8 Washer 8	1	
7	G005783-008016-00	螺栓 M8×16 Bolt M8×16	1	
8	A309-320001-000	螺栓 Bolt	2	
9	G000096-000010-00	垫圈 10 Washer 10	2	
10	A309-320003-000	缓冲垫 dampener	4	
11	A309-320002-000	垫圈 Washer	2	

图 38 排气系统
Fig.38 Exhaust system

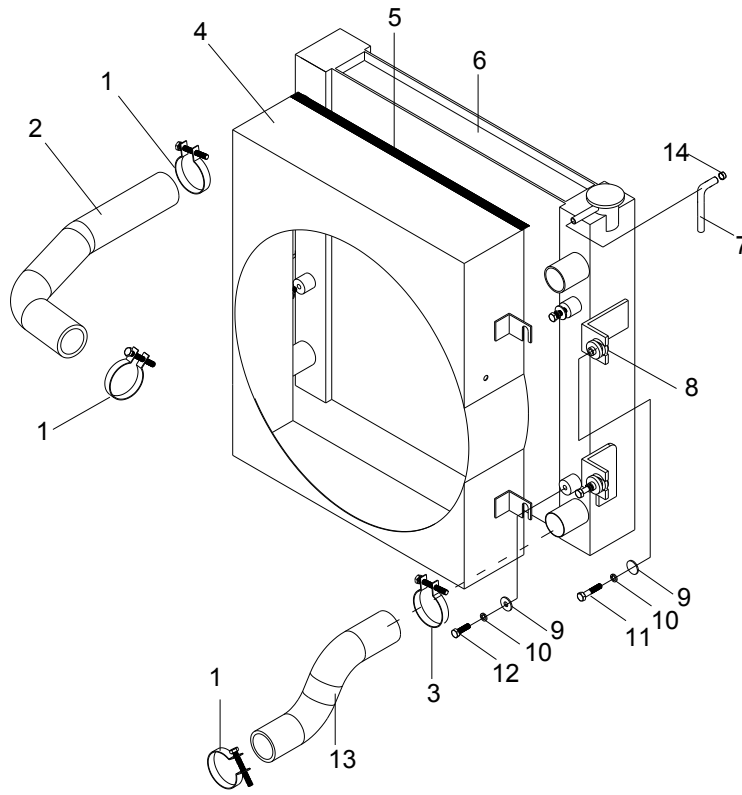
- W CPC30/35/38-AG70 Wj CPCD30/35/38-AG70 X CPC20/25-AG70 Xj CPCD20/25-AG70
Y CPC30/35/38-AG70J Yj CPCD30/35/38-AG70J Z CPC20/25-AG70J Zj CPCD20/25-AG70J
Y2 CPC30/35-AG70J-Z



序号 Item	物料码 Part No.	名称 Description	数量 Qty	备注或适用车型 Remarks or Serial NO..
12	G000096-000008-00	垫圈 8 Washer 8	2	
13	G001337-000008-00	螺母 M8 Nut M8	2	
14	G005783-010030-00	螺栓 M10×30 Bolt M10×30	2	
15	G000096-000010-00	垫圈 10 Washer 10	2	
16	3E-130001	垫片 washer	1	

图 39 冷却系统
Fig.39 Cooling system

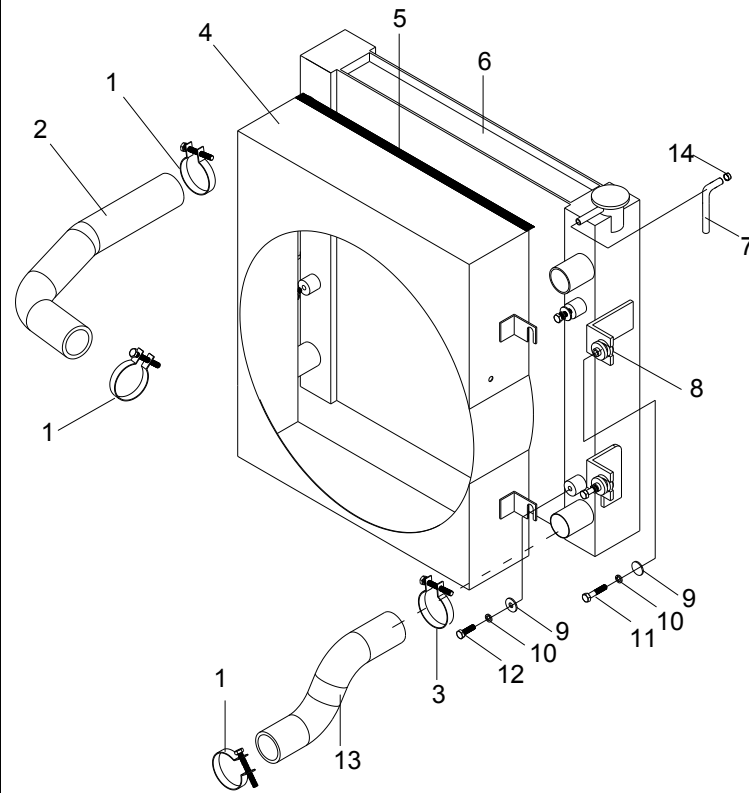
W CPC30/35/38-AG70 W1 CPCD30/35/38-AG70 X CPC20/25-AG70 X1 CPCD20/25-AG70
Y CPC30/35/38-AG70J Y1 CPCD30/35/38-AG70J Z CPC20/25-AG70J Z1 CPCD20/25-AG70J
Y2 CPC30/35-AG70J-Z



序号 Item	物料码 Part No.	名称 Description	数量 Qty	备注或适用车型 Remarks or Serial NO..
1	Q672-50-G00	双钢丝式环箍 50 Clamp 50	2	
2	A3012-330001-000	散热器进水管 Rubber pipe for inlet	1	
3	Q672-45-G00	双钢丝式环箍 45 Clamp 45	2	
4	A3012-332000-000	护风圈总成 Fan shroud assy	1	W X Y Z Y2
4	A3112-332000-000	护风圈总成 Fan shroud assy	1	W1 X1 Y1 Z1
5	N163-330003-000	密封条 Seal strip	1	
6	N150-334000-001	散热器总成 Radiator assy	1	W X Y Z Y2
6	R9621-331000-000	散热器总成 Radiator assy	1	W1 X1 Y1 Z1
7	N121-330003-W00	输水胶管 $\phi 8 \times \phi 12$ Rubber pipe $\phi 8 \times \phi 12$	1	
8	N163-333000-001	缓冲垫 Cushion	4	
9	G000096-000006-00	垫圈 6 Washer 6	8	
10	G000093-000006-00	垫圈 6 Washer 6	8	
11	G005783-006030-00	螺栓 M6×30 Bolt M6×30	4	
12	G005783-006018-00	螺栓 M6×18 Bolt M6×18	4	
13	A3012-330002-000	散热器出水管 Rubber pipe for outtake	1	

图 39 冷却系统
Fig.39 Cooling system

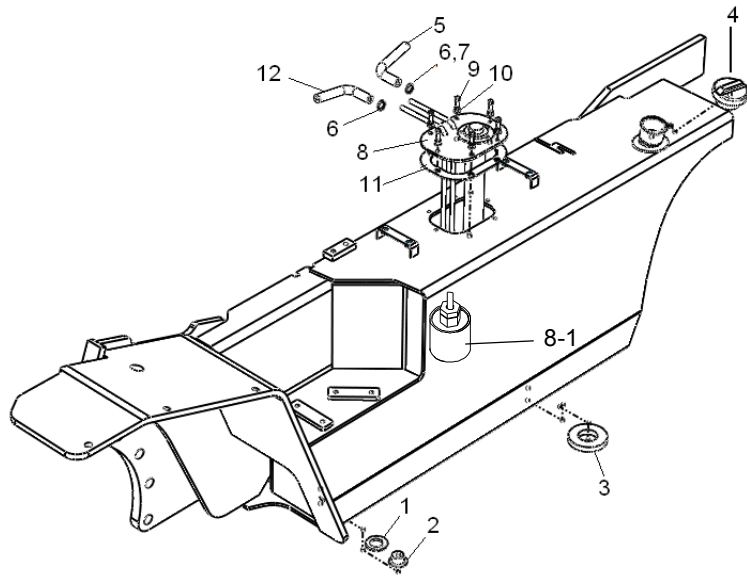
- W CPC30/35/38-AG70 W1 CPCD30/35/38-AG70 X CPC20/25-AG70 X1 CPCD20/25-AG70
Y CPC30/35/38-AG70J Y1 CPCD30/35/38-AG70J Z CPC20/25-AG70J Z1 CPCD20/25-AG70J
Y2 CPC30/35-AG70J-Z



序号 Item	物料码 Part No.	名称 Description	数量 Qty	备注或适用车型 Remarks or Serial NO..
14	MB250-330003-000	钢带弹性抱箍 Anchor ear	1	

图 40 燃油系统
Fig.40 Fuel system

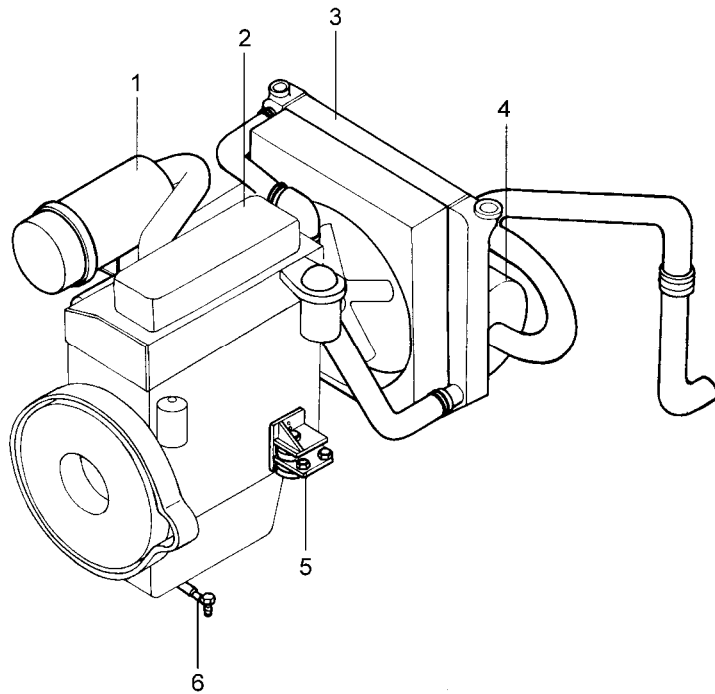
W CPC30/35/38-AG70 W1 CPCD30/35/38-AG70 X CPC20/25-AG70 X1 CPCD20/25-AG70
Y CPC30/35/38-AG70J Y1 CPCD30/35/38-AG70J Z CPC20/25-AG70J Z1 CPCD20/25-AG70J
Y2 CPC30/35-AG70J-Z Y3 CPC30/35-AG70JG-Z



序号 Item	物料码 Part No.	名称 Description	数量 Qty	备注或适用车型 Remarks or Serial NO..
1	J000982-000024-00	垫圈 24 Washer 24	1	
2	N163-340008-000	螺塞 Pulg	1	
3	N163-340002-000	磁铁 Ring magnetic iron	1	
4	N163-341000-G00	燃油箱盖 Cover of fuel case	1	
5	XR310-340004-001	输油胶管 $\phi 10 \times \phi 18.5$ Rubber pipe	1	
6	Q672-16-G00	双钢丝式环箍 16 Clampe 16	4	
8	A3012-341000-000	燃油箱盖组件 Cover of fuel case	1	包含/INC:8-1
8-1	30DH-441000	燃油滤芯 Suction filter	1	
9	G005783-006016-00	螺栓 M6×16 Bolt M6×16	6	
10	J000982-000006-00	垫圈 6 Washer 6	6	
11	A300-340001-000	垫 washer	1	
12	XR310-340004-001	输油胶管 $\phi 10 \times \phi 18.5$ Rubber pipe	1	

图 41 动力系统
Fig.41 Power system

⑦ CPCD20/25-AW55 ⑧ CPCD30/35/38-AW55

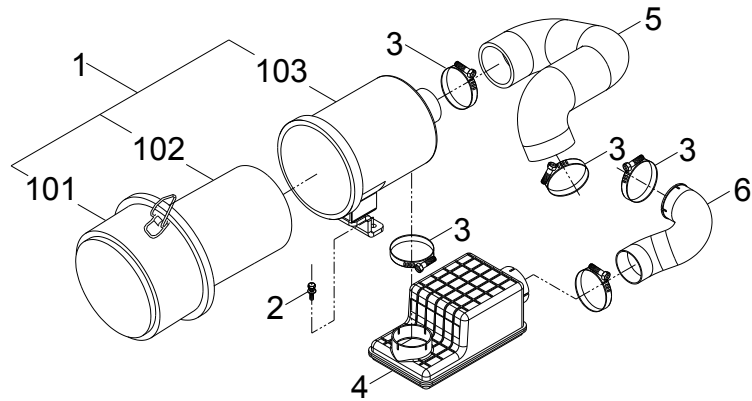


序号 Item	物料码 Part NO.	名称 Description	数量 Qty	备注或适用车型 Remarks or Serial NO..
1	A3119-310000-000	进气系统 Air intake system	1	
2	XF2519-301000-G00	柴油机 Diesel engine	1	
3	A3119-330000-000	冷却系统 Cooling system	1	
4	A2619-320000-000	排气系统 Exhaust system	1	2t-2.5t
4	A3119-320000-000	排气系统 Exhaust system	1	3t-3.8t
5	A3119-350000-000	发动机安装 Cushion assy	1	
6	A3119-340000-000	燃油系统 Fuel system	1	

图 42 进气系统
Fig.42 Air intake system

⑦ CPCD20/25-AW55

⑧ CPCD30/35/38-AW55

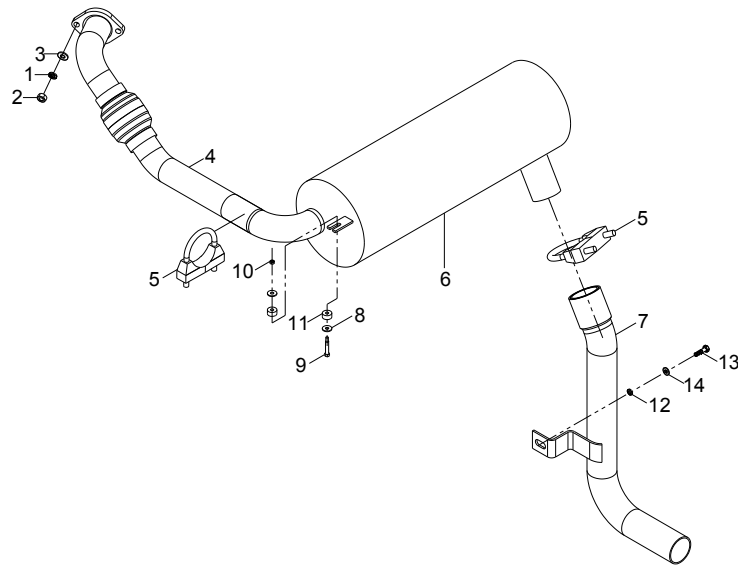


序号 Item	物料码 Part NO.	名称 Description	数量 Qty	备注或适用车型 Remarks or Serial NO..
1	A300-311000-000	空气滤清器 Air cleaner	1	包含 INC: 101-103
101	NO PART NO.	滤清器盖 Cover	1	
102	KW1330	滤芯 Filter	1	
103	NO PART NO.	滤清器壳 Filter housing	1	
2	G907417-008016-00	螺栓组合件 M8×16 Bolt assy M8×16	4	
3	Q676-76-G00	蜗杆传动式软管环箍 76 Clamp 76	5	
4	A300-312000-000	进气消声器 Muffler	1	
5	A3119-310001-000	发动机进气管 Engine air intake pipe	1	
6	A300-310004-001	进气管 Air intake pipe	1	
7	30DHW15-400002	空滤器支架 Air cleaner Bracket	1	
9	G907417-008016-00	组合螺栓 M8×16 Bolt assy M8×16	4	
	A300-312000-000	进气消声器 Air inlet muffler	1	
	KW1330	滤芯 Filter	1	

图 43 排气系统
Fig.43 Exhaust system

⑦ CPCD20/25-AW55

⑧ CPCD30/35/38-AW55

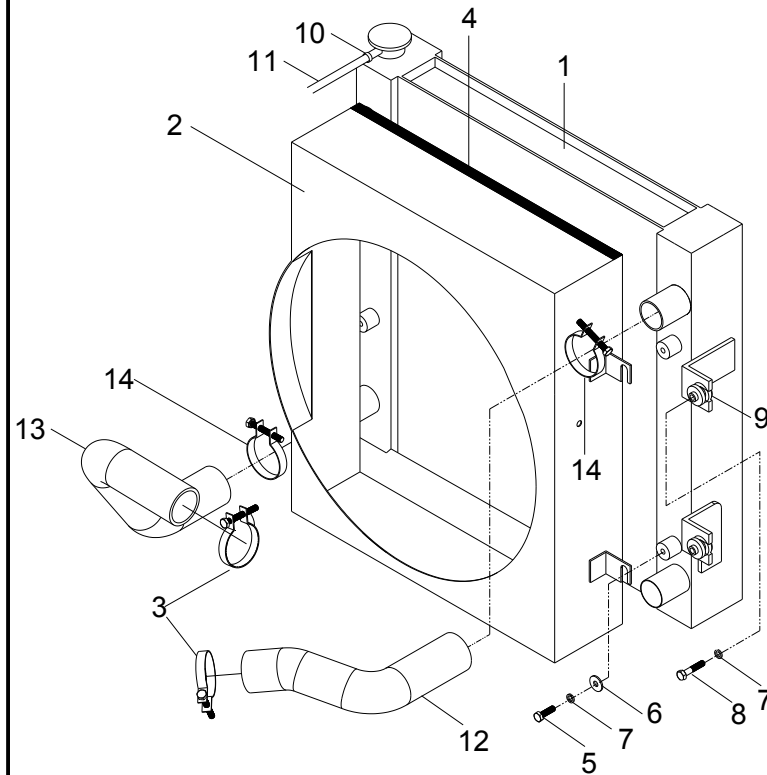


序号 Item	物料码 Part No.	名称 Description	数量 Qty	备注或适用车型 Remarks or Serial NO..
1	G000093-000010-00	垫圈 10 Washer 10	2	
2	G006170-000010-00	螺母 M10 Nut M10	2	
3	G000096-000010-00	垫圈 10 Washer 10	2	
4	A3119-321000-000	排气管总成 Exhaust pipe assy	1	
5	N163-324000-000	抱箍 Hose Clamp	2	
6	A302-322000-000	消声器总成 Muffler assy	1	
7	A250-323000-000	排气尾管 Exhaust pipe	1	2t-2.5t
7	A300-323000-000	排气尾管 Exhaust pipe	1	3t-3.8t
8	G000096-000008-00	垫圈 8 Washer 8	2	
9	G005782-008050-00	螺栓 M8×50 Bolt M8×50	2	
10	G001337-000008-00	螺母 M8 Nut M8	2	
11	30DH-322000	环状减震器 Cushion	4	
12	G000093-000008-00	垫圈 8 Washer 8	1	
13	G005783-008016-00	螺栓 M8×16 Bolt M8×16	1	
14	G0097P1-000008-00	垫圈 8 Washer 8	1	

图 44 冷却系统
Fig.44 Cooling system

⑦ CPCD20/25-AW55

⑧ CPCD30/35/38-AW55



序号 Item	物料码 Part No.	名称 Description	数量 Qty	备注或适用车型 Remarks or Serial NO..
1	R9317-331000-000	散热器总成 Radiator assy	1	
2	A3119-332000-000	护风圈总成 Fan shroud assy	1	
3	Q672-50-G00	双钢丝式环箍 50 Clamp 50	2	
4	N163-330003-000	密封条 Sealing strip	1	
5	G005783-006018-00	螺栓 M6×18 Bolt M6×18	4	
6	G000096-000006-00	垫圈 6 Washer 6	4	
7	G000093-000006-00	垫圈 6 Washer 6	8	
8	G005782-006030-00	螺栓 M6×30 Bolt M6×30	4	
9	N163-333000-001	缓冲垫 Cushion	4	
10	Q672-12-G00	双钢丝式环箍 12 Clamp 12	1	
11	N042-330001-W00	输水胶管Φ8×Φ12 Hose Φ8×Φ12	1	
12	A3119-330001-000	散热器进水管 Water outlet pipe	1	
13	A3119-330002-000	散热器出水管 Water inlet pipe	1	
14	Q672-45-G00	双钢丝式环箍 45 Clamp 45	2	

图 45 燃油系统
Fig.45 Fuel system

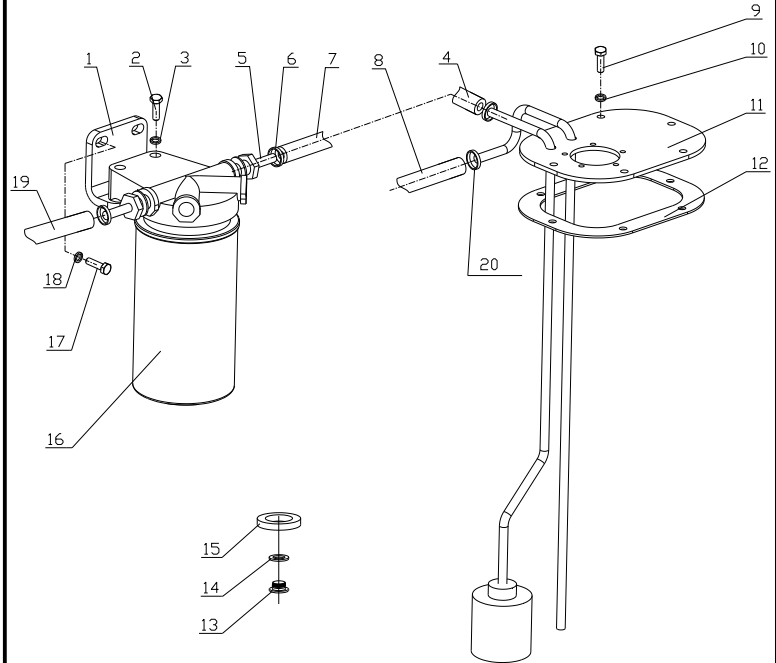
⑦ CPCD20/25-AW55 ⑧ CPCD30/35/38-AW55

序号 Item	物料码 Part No.	名称 Description	数量 Qty	备注或适用车型 Remarks or Serial NO..
1	R305-340006-000	燃油滤清器支架 Bracket	1	
2	XB455-340006-000	螺栓 Bolt	2	
3	G000093-000006-00	垫圈 6 Washer 6	2	
4	XRF3110-350003-W00	输油胶管内径 $\Phi 8$ Rubber pipe	2	
5	XF2519-340007-000	接头 Connector	2	
6	G001235-002402P4-00	O形密封圈 24×2.4 O-ring 24×2.4	6	
7	XRF3110-350002-W00	输油胶管内径 $\Phi 8$ Rubber pipe	1	
8	XRF3110-350004-W00	回油胶管内径 $\Phi 8$ Rubber pipe	1	
9	G005783-006016-00	螺栓 $M6 \times 16$ Bolt $M6 \times 16$	6	
10	J000982-000006-00	垫圈 6 Washer 6	6	
11	XR310-341000-000	燃油箱盖组件 Cover of fuel case assy	1	
12	A300-340001-000	垫 Pad	1	
13	N163-340008-000	螺塞 Plug	1	
14	A300-340002-000	垫圈 24 Washer 24	1	
15	N163-340002-000	磁铁 Magnetic iron	1	

图 45 燃油系统
Fig.45 Fuel system

⑦ CPCD20/25-AW55 ⑧ CPCD30/35/38-AW55

序号 Item	物料码 Part No.	名称 Description	数量 Qty	备注或适用车型 Remarks or Serial No.
16	XF2519-343000-G00	燃油滤清器总成 Oil filter	1	发动机带 Engines equipped with
17	G005783-008020-00	螺栓M8×20 Bolt M8×20	2	
18	G000093-000008-00	垫圈 8 Washer 8	2	
19	XRF3110-340001-W00	输油胶管内径Φ8 Rubber pipe	1	
20	Q675-16-G00	蜗杆传动式软管环箍16 Clamp 16		



第四部分 车身系统目录

Part IV Body system contents

Ⓐ CPC30/35/38-AG2	Ⓐ ₁ CPCD30/35/38-AG2	Ⓐ ₂ CPC30/35-AG2-Z	Ⓐ ₃ CPCD30/35/38-AG2E
Ⓑ CPC20/25-AG2	Ⓑ ₁ CPCD20/25-AG2	⑦ CPCD20/25-AW55	Ⓑ ₃ CPCD20/25-AG2E
Ⓒ CPC30/35/38-AG32	Ⓒ ₁ CPCD30/35/38-AG32	Ⓒ ₂ CPC38-AXG32	Ⓒ ₃ CPCD38-AXG32
Ⓓ CPC20/25-AG32	Ⓓ ₁ CPCD20/25-AG32	Ⓕ CPC20/25-AW10	Ⓕ ₁ CPCD20/25-AW10
Ⓔ CPC30-AW10	Ⓔ ₁ CPCD30-AW10	Ⓔ ₂ CPC30-AXW10	Ⓔ ₃ CPCD30-AXW10
Ⓒ ₃ CPC30/35/38-AW13	Ⓒ ₃ ₁ CPCD30/35/38-AW13	Ⓖ CPC20/25-AW13	Ⓖ ₁ CPCD20/25-AW13
Ⓘ CPC30/35/38-AW27	Ⓘ ₁ CPCD30/35/38-AW27	Ⓙ CPC20/25-AW27	Ⓙ ₁ CPCD20/25-AW27
Ⓚ CPQ30/35/38-AW7	Ⓚ ₁ CPQD30/35/38-AW7	Ⓛ CPQ20/25-AW7	Ⓛ ₁ CPQD20/25-AW7
Ⓜ ₁ CPCD30/35-AW67	Ⓜ ₁ ₁ CPCD20/25-AW67	Ⓞ ₅ CPC30/35-AG52-Z	Ⓞ ₆ CPC30/35-AG52G-Z
Ⓞ CPC30/35/38-AG51	Ⓞ ₁ CPCD30/35/38-AG51	Ⓞ ₂ CPC30/35-AG51-Z	Ⓞ ₃ CPCD30/35-AXG51
Ⓞ ₄ CPC30/35-AXG51	Ⓞ ₅ CPC30/35-AG51G-Z	Ⓟ CPC20/25-AG51	Ⓟ ₁ CPCD20/25-AG51
Ⓞ ₃ CPC30/35/38-AG52	Ⓞ ₃ ₁ CPCD30/35/38-AG52	Ⓞ ₃ ₂ CPCD30/35-AXG52	Ⓞ ₄ CPC30/35-AXG52
Ⓡ CPC20/25-AG52	Ⓡ ₁ CPCD20/25-AG52	① CPC30/35-AG69-Z	② CPC30/35-AG69G-Z
Ⓢ CPC30/35/38-AG2J	Ⓢ ₁ CPCD30/35/38-AG2J	Ⓢ ₂ CPC30/35-AG2J-Z	Ⓢ ₂ ₂ CPC30/35-AG70J-Z
Ⓣ CPC20/25-AG2J	Ⓣ ₁ CPCD20/25-AG2J	Ⓢ ₃ CPC30/35-AG70JG-Z	⑧ CPCD30/35/38-AW55
Ⓤ ₁ CPC30/35/38-AG65J	Ⓤ ₁ ₁ CPCD30/35/38-AG65J	Ⓤ ₂ CPC30/35-AG65J-Z	Ⓤ ₃ CPCD30/35-AXG65J
Ⓤ ₄ CPC30/35-AG65JG-Z	Ⓤ ₆ CPC30/35-AXG65J	Ⓥ ₁ CPC20/25-AG65J	Ⓥ ₁ ₁ CPCD20/25-AG65J
Ⓦ CPC30/35/38-AG70	Ⓦ ₁ CPCD30/35/38-AG70	Ⓧ CPC20/25-AG70	Ⓧ ₁ CPCD20/25-AG70
Ⓨ CPC30/35/38-AG70J	Ⓨ ₁ CPCD30/35/38-AG70J	Ⓨ ₂ CPC20/25-AG70J	Ⓨ ₂ ₁ CPCD20/25-AG70J
③ CPC20/25-AG69	④ CPC30/35/38-AG69	⑤ CPCD20/25-AG69	⑥ CPCD30/35/38-AG69

序号 Item	名称 Description	适用车型 Serial No.	页码 Page
图 1 Fig. 1	平衡重总成 Counter balance assy	全部车型 All models of truck	4-1

4-A

序号 Item	名称 Description	适用车型 Serial No.	页码 Page
图 2 Fig. 2	标示 Nameplate	全部车型 All models of truck	4-3
图 3 Fig. 3	座椅总成 Seat assy	全部车型 All models of truck	4-7
图 3-1 Fig. 3-1	座椅总成 Seat assy	全部车型 All models of truck	4-8
图 3-2 Fig. 3-2	座椅总成 Seat assy	全部车型 All models of truck	4-9
图 4 Fig. 4	车身系统 Truck body system	全部车型 All models of truck	4-10
图 5 Fig. 5	机罩及底板总成 Hood and floor board assy	全部车型 All models of truck	4-13
图 6 Fig. 6	锁扣总成 Lock assy	全部车型 All models of truck	4-17
图 7 Fig. 7	CE 锁扣总成 CE Lock assy	全部车型 All models of truck	4-18
图 8 Fig. 8	护顶架 Overhead guard	全部车型 All models of truck	4-19

图 1 平衡重总成
Fig.1 Counter balance assy

全部车型
All models of truck

序号 Item	物料码 Part NO.	名称 Description	数量 Qty	备注或适用车型 Remarks or Serial NO.
1	N163-010002-000	塞子 Plug	2	
2	A200-010001-000	平衡重 Counter balance	1	2.0t
2	A250-010001-000	平衡重 Counter balance	1	2.5t
2	A300-010001-000	平衡重 Counter balance	1	3.0t
2	AZ300-010001-000	平衡重 Counter balance	1	3.0t 出租车 Rent out
2	A350-010001-000	平衡重 Counter balance	1	3.5t
2	AZ350-010001-000	平衡重 Counter balance	1	3.5t 出租车 Rent out
2	A380-010001-000	平衡重 Counter balance	1	3.8t
2	AX381-010001-000	平衡重 Counter balance	1	C2 C3
2	AX307-010001-000	平衡重 Counter balance	1	E2 E3
2	AX300-010001-000	平衡重 Counter balance	1	3.0t Q3 Q4 Q3 Q4 U3 U6
2	AX350-010001-000	平衡重 Counter balance	1	3.5t Q3 Q4 Q3 Q4 U3 U6
3	G005783-010020-00	螺栓 M10×20 Bolt M10×20	4	
4	G000093-000010-00	垫圈 10 Washer 10	4	
5	G0097P1-000010-00	垫圈 10 Washer 10	4	

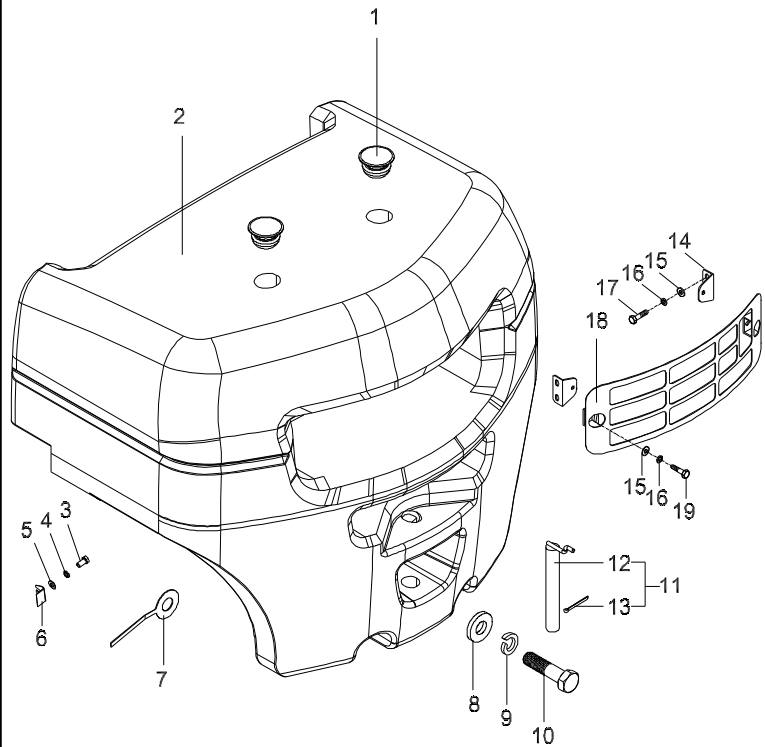


图 1 平衡重总成
Fig.1 Counter balance assy

全部车型
All models of truck

序号 Item	物料码 Part NO.	名称 Description	数量 Qty	备注或适用车型 Remarks or Serial NO.
6	N163-010007-000	调整垫片 Adjust shim	4	
7	N163-010008-000	调整垫片 Adjust shim	1	
8	N163-010005-000	垫圈 Washer	1	
9	G007244-000030-00	垫圈 30 Washer 30	1	
10	N163-010003-000	螺栓 Bolt	1	
11	A300-011000-800	牵引销总成 Towing pin assy	1	CE
12	A300-011100-800	牵引销 Towing pin	1	CE
12	A300-011000-000	牵引销 Towing pin	1	非 CE,not CE
13	A300-011003-000	销 pin	1	CE
14	NC9321-010200-000	支座组件 Benchset	2	CE
15	G000096-000008-00	垫圈 8 Washer 8	6	CE
16	G000093-000008-00	垫圈 8 Washer 8	6	CE
17	G005783-008016-00	螺栓 M8×16 Bolt M8×16	4	CE
18	NC9321-010100-000	平衡重网罩 Counter balance net cover	1	CE, low order/high order exhaust 低高位排气
19	G005783-008020-00	螺栓 M8×20 Bolt M8×20	2	CE

图2 标示
Fig.2 Nameplate

全部车型
All models of truck

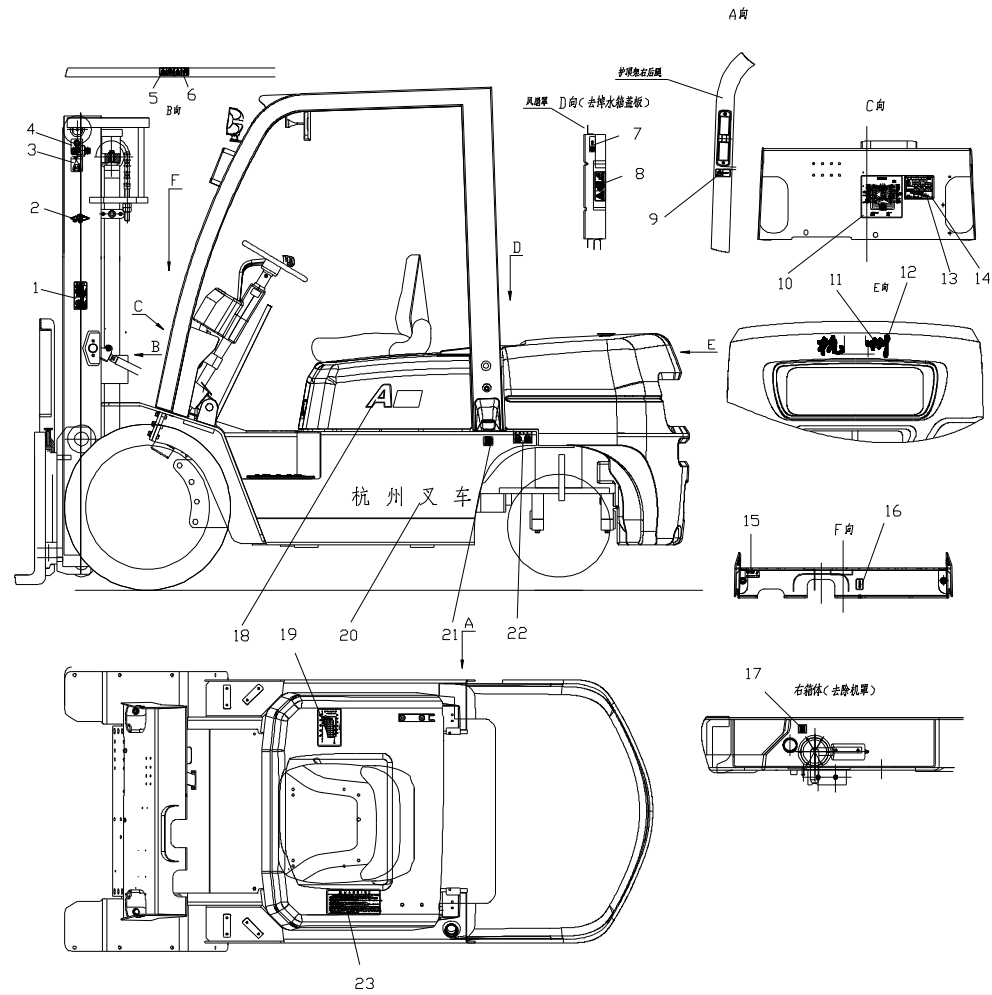


图2 标示
Fig.2 Nameplate

全部车型
All models of truck

序号 Item	物料码 Part NO.	名称 Description	数量 Qty	备注或适用车型 Remarks or Serial NO.
1	N163-020002-000	危险标签 Dangerous nameplate	2	
2	R960-020059-W00	HC 标志 HC sign	2	
3	N163-020008-000	起吊标签 Lift nameplate	2	
4	R960-020035-000	起吊标签 Lift nameplate	2	
5	R960-020015-000	危险标签 Dangerous nameplate	1	
6	N163-020009-000	危险标签 Dangerous nameplate	1	
7	R960-020016-000	防冻液标签 Antifreeze nameplate	1	
8	N163-020019-000	切手危险标签 Hand cut risk label	1	
9	R960-020013-000	严禁冲水标签 No swashing nameplate	1	
10	R960-020020-000	润滑系统标签 Lubrication system nameplate	1	
11	R960-010101-000	字样 Characters	1	
12	G000068-006016-00	螺钉 M6X16 Screws M6X16	1	
13	A200-020003-000	产品铭牌 Product nameplate	1	2.0t
13	A250-020003-000	产品铭牌 Product nameplate	1	2.5t
13	A300-020003-000	产品铭牌 Product nameplate	1	3.0t 标配 Standard

图2 标示
Fig.2 Nameplate

全部车型
All models of truck

序号 Item	物料码 Part NO.	名称 Description	数量 Qty	备注或适用车型 Remarks or Serial NO.
13	AZ300-020003-000	产品铭牌 Product nameplate	1	3.0t (A2) (O2) (S2) 出租车
13	A350-020003-000	产品铭牌 Product nameplate	1	3.5t 标配 Standard
13	AZ300-020003-000	产品铭牌 Product nameplate	1	3.5t (A2) (O2) (S2) 出租车
13	A380-020003-000	产品铭牌 Product nameplate	1	3.8t
14	G012618-004010-00	铆钉4x10 Rivet 4x10	4	
15	N163-020018-000	操作标签2 Operation nameplate 2	1	机械叉车CPC,CPQ Mechanical truck
15	N163-020014-000	操作标签1 Operation nameplate 2	1	液力叉车CPCD,CPQD Hydrodynamic truck
16	A300-020004-000	熄火拉线标签 Flameout farrowed nameplate	1	
17	R960-020011-000	液压油标签 Hydraulic oil nameplate	1	
18	A200-020001-000	吨位标签 Tonnage nameplate	2	2.0t
18	A250-020001-000	吨位标签 Tonnage nameplate	2	2.5t
18	A300-020001-000	吨位标签 Tonnage nameplate	2	3.0t 标配 Standard
18	AZ300-020001-000	吨位标签 Tonnage nameplate	2	3.0t (A2) (O2) (S2) 出租车
18	A350-020001-000	吨位标签 Tonnage nameplate	2	3.5t 标配 Standard
18	AZ350-020001-000	吨位标签 Tonnage nameplate	2	3.5t (A2) (O2) (S2) 出租车

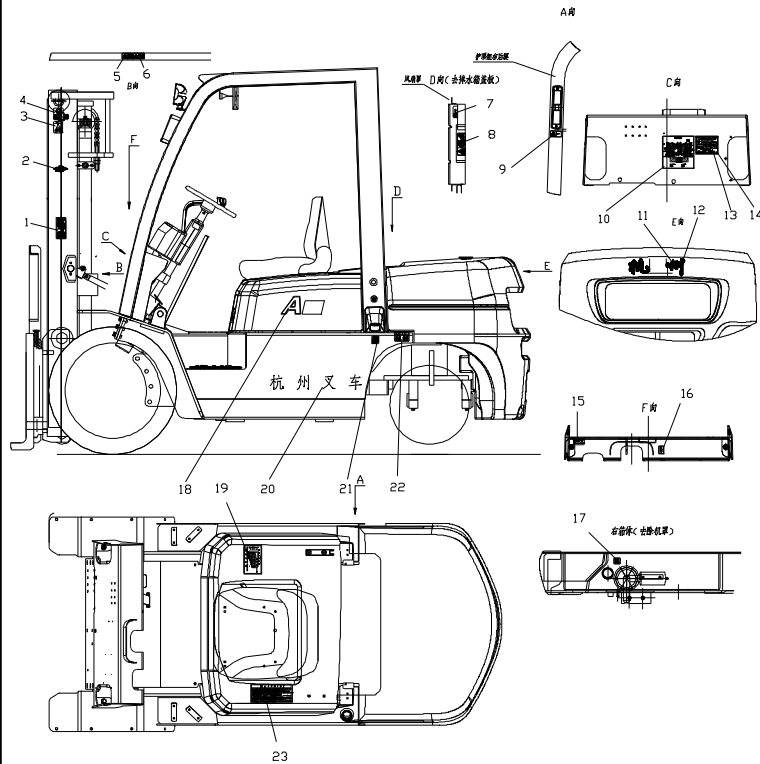


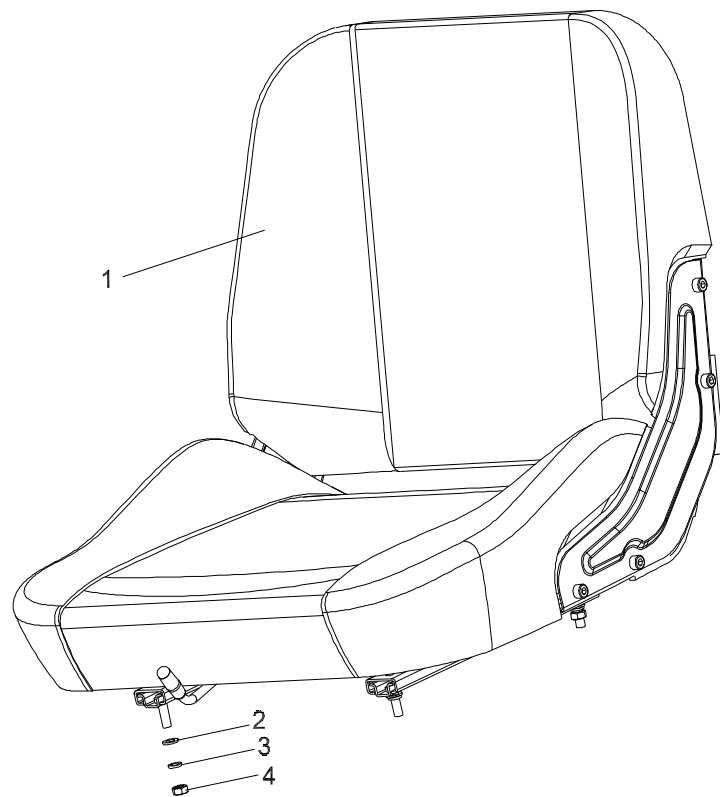
图2 标示
Fig.2 Nameplate

全部车型
All models of truck

序号 Item	物料码 Part NO.	名称 Description	数量 Qty	备注或适用车型 Remarks or Serial NO.
18	A380-020001-000	吨位标签 Tonnage nameplate	2	3.8t
19	NO PART NO.	载荷曲线标签 Load nameplate	1	
20	N163-020001-000	字样标签 Characters nameplate	2	
21	R960-020028-000	柴油标签 Diesel oil nameplate	1	
22	R960-020052-001	轮胎气压标签 Tyre pressure nameplate	1	3.0t-3.8t
22	R930-020004-001	轮胎气压标签 Tyre pressure nameplate	1	2.0t-2.5t
23	N163-020016-000	警告标签 Warn nameplate	1	

图3 座椅总成
Fig.3 Seat assy

全部车型
All models of truck



序号 Item	物料码 Part NO.	名称 Description	数量 Qty	备注或适用车型 Remarks or Serial NO.
1	A300-030000-G00	座椅 Seat	1	包含/INC:1-4
2	G000096-000008-00	垫圈 8 Washer 8	4	
3	G000093-000008-00	垫圈 8 Washer 8	4	
4	G006170-000080-00	螺母 M8 Nut M8	4	

图 3-1 座椅总成
Fig.3-1 Seat assy

全部车型
All models of truck

序号 Item	物料码 Part NO.	名称 Description	数量 Qty	备注或适用车型 Remarks Or Serial NO.
A	XF250-030000-G29	座椅总成,不带减震 Seat assy, Not damping	1	包含/INC:1-9
A	XF250-030000-G32	座椅总成,带减震, Seat assy, With damping	1	INC:1-10
1	XF250-030300-W30	安全带 Seat belt	1	
2	G000096-000008-00	垫圈 8 Washer 8	4	
3	G000093-000008-00	垫圈 8 Washer 8	4	
4	G006170-000080-00	螺母 M8 Nut M8	4	
5	XF250-030001-W30	右扶手 Right handrail	1	配对购买 Pairing buy
6	XF250-030002-W30	左扶手 Left handrail	1	
7	XF250-030003-W30	右护套 Right sheath	1	配对购买 Pairing buy
8	XF250-030004-W30	左护套 Left sheath	1	
9	NO PART NO.	座椅 Seat	1	
10	XF250-030005-W30	传感器 sensor	1	OPS 系统/System

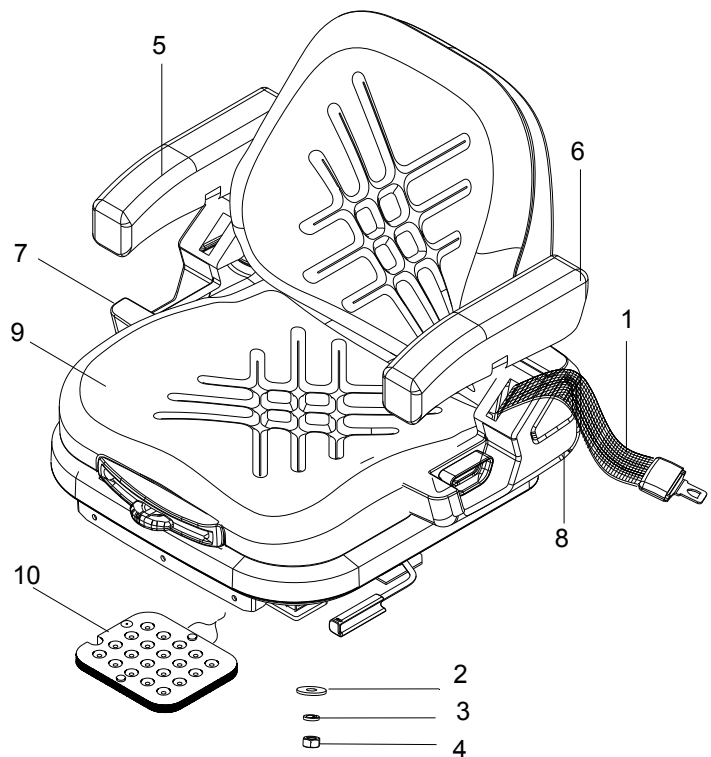
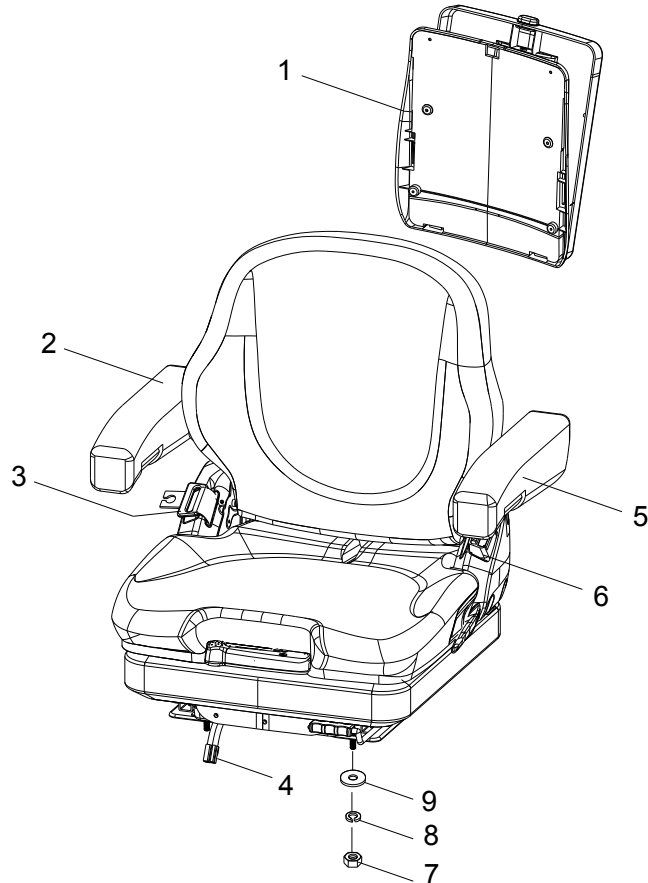


图 3-2 座椅总成
Fig.3-2 Seat assy

全部车型
All models of truck



序号 Item	物料码 Part No.	名称 Description	数量 Qty	备注或适用车型 Remarks Or Serial No.
A1	XF250-030000-G62	BF7 座椅总成 Seat assy BF7	1	INC:1-9
1	XF250-030400-W60	文件盒总成 File box assy	1	
2	XF250-030500-W62	右扶手总成 Right arm assy	1	
3	XF250-030200-W60	安全带总成 Safety belt assy	1	
4	XF250-030002-W61	BF7 座椅传感器 A seat sensor	1	OPS 系统/System
5	XF250-030600-W62	左扶手总成 Left arm assy	1	
6	XF250-030100-W61	安全带锁扣 Safety belt buckle	1	
7	G006170-000008-00	螺母 M8 Bolt M8	4	
8	G000093-000008-00	垫圈 8 Washer 8	4	
9	G000096-000008-00	垫圈 8 Washer 8	4	

图4 车身系统
Fig.4 Truck body system

全部车型
All models of truck

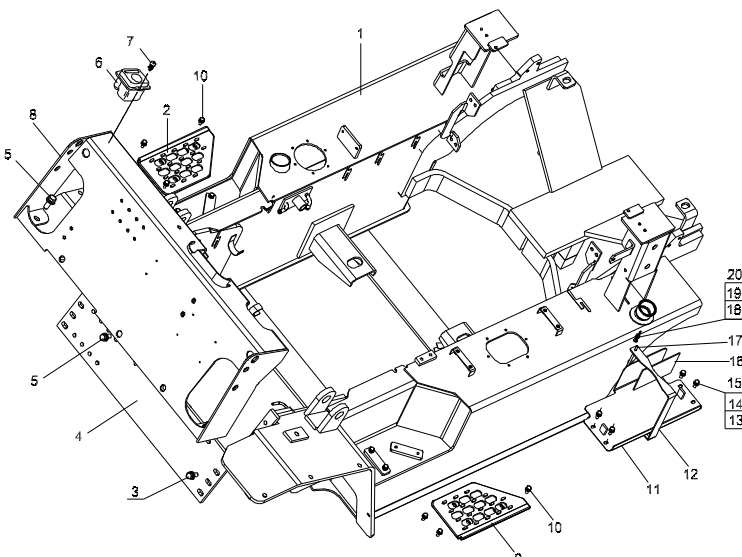
	序号 Item	物料码 Part NO.	名称 Description	数量 Qty	备注或适用车型 Remarks or Serial NO.
	1	A300-410000-000	车架 Truck frame	1	Ⓐ Ⓐ1 Ⓐ2 3.0t-3.8t Ⓢ Ⓢ1 Ⓢ2
	1	A250-410000-000	车架 Truck frame	1	Ⓑ Ⓑ1 2.0t-2.5t Ⓣ Ⓣ1
	1	A301-410000-000	车架 Truck frame	1	Ⓒ Ⓒ1 3.0t-3.8t
	1	A251-410000-000	车架 Truck frame	1	Ⓓ Ⓓ1 2.0t-2.5t
	1	A302-410000-000	车架 Truck frame	1	3.0t-3.8t, Ⓔ Ⓔ1 Ⓕ Ⓕ1 Ⓖ Ⓖ1 Ⓙ
	1	A252-410000-000	车架 Truck frame	1	2.0t-2.5t, Ⓛ Ⓛ1 Ⓜ Ⓜ1 Ⓝ Ⓝ1 Ⓟ
	1	AE310-410000-000	车架 Truck frame	1	Ⓐ3
	1	AE260-410000-000	车架 Truck frame	1	Ⓑ3
	1	AX381-410000-000	车架 Truck frame	1	Ⓒ2 Ⓒ3
	1	AX307-410000-000	车架 Truck frame	1	Ⓔ2 Ⓔ3
	1	A309-410000-000	车架 Truck frame	1	Ⓞ Ⓞ1 3.0t-3.8t, <2016-02-25
	1	A309-410000-001	车架 Truck frame	1	≥2016-02-25, 3.0t-3.8t, Ⓞ Ⓞ1 Ⓞ2 Ⓞ Ⓞ1 Ⓞ1 Ⓞ1 ① ② ③ ④ ⑤ ⑥
	1	A259-410000-000	车架 Truck frame	1	<2016-02-25 Ⓟ Ⓟ1 2.0t-2.5t,
	1	A259-410000-001	车架 Truck frame	1	≥2016-02-25, 2.0t-2.5t, Ⓟ Ⓟ1 Ⓡ Ⓡ1 Ⓢ Ⓢ1 ③ ⑤

图4 车身系统
Fig.4 Truck body system

全部车型
All models of truck

序号 Item	物料码 Part NO.	名称 Description	数量 Qty	备注或适用车型 Remarks or Serial NO.
1	AX309-410000-000	车架 Truck frame	1	ⓐ3 ⓐ4 ⓐ3 ⓐ4 ⓐ3 ⓐ6
1	AGZ309-410000-000	车架 Truck frame	1	ⓐ4 ② ⓐ3 ⓐ6 ⓐ5
1	A3012-410000-000	车架 Truck frame	1	3.0t-3.8t ⓐ ⓐ1 ⓐ2 ⓐ3
1	A2512-410000-000	车架 Truck frame	1	2.0t-2.5t ⓐ ⓐ1 ⓐ2 ⓐ3
1	A2619-410000-000	车架 Truck frame	1	⑦
1	A3119-410000-000	车架 Truck frame	1	⑧
2	R450-450002-000	右踏板 Right pedal	1	
3	A300-400100-000	螺栓组件 Bolt assy	6	
4	A300-401000-000	横梁组件 Beam assy	1	2.0t-3.8t
A1	A300-420000-000	仪表架 Instrument frame	1	INC 包含:5-8
5	N163-420500-000	螺栓组件 Bolt assy	5	
6	A300-420001-G00	茶杯架 Cup holder	1	
7	G907414-006016-00	螺栓组件M6×16 Bolt assyM6×16	2	
8	A300-421000-001	仪表架组件 Instrument frame assy	1	A300-421000-000
9	R450-450001-000	左踏板 Left pedal	1	

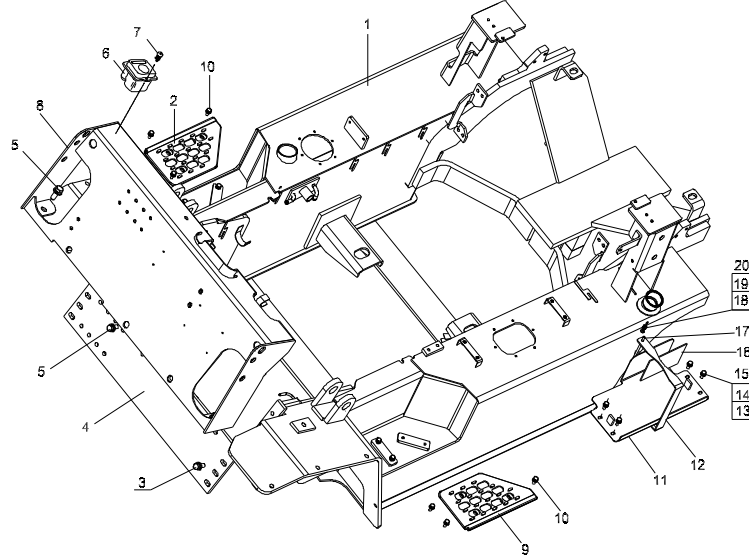


图4 车身系统
Fig.4 Truck body system

全部车型
All models of truck

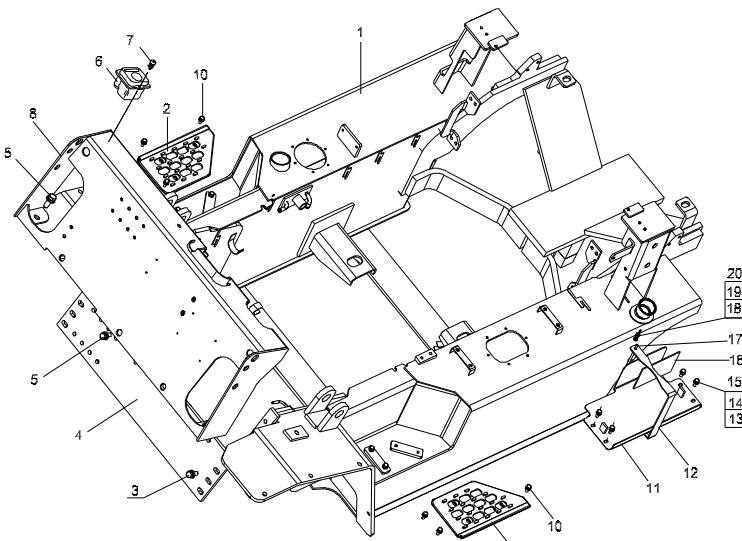
	序号 Item	物料码 Part NO.	名称 Description	数量 Qty	备注或适用车型 Remarks or Serial NO.
	10	G907414-008016-00	螺栓组件M8×16 Bolt M8×16	6	
	11	A150-442000-000	电瓶盒托架 Battery box bracket	1	<2014-07-01 汽油机 Gasoline engine
	11	A150-442000-001	电瓶盒托架 Battery box bracket	1	≥2014-07-01 汽油机 Gasoline engine
	11	A300-442000-000	电瓶盒托架 Battery box bracket	1	<2014-07-01 柴油机 Diesel engine
	11	A300-442000-001	电瓶盒托架 Battery box bracket	1	≥2014-07-01 柴油机 Diesel engine
	12	A300-441000-000	压板 Angle iron	1	
	13	G005783-008020-00	螺栓 M8×20 Bolt M8×20	4	
	14	G000093-000008-00	垫圈 8 Washer 8	4	
	15	G0097P1-000008-00	垫圈8 Washer 8	4	
	16	A300-440002-000	隔热垫 Heat insulation pad	1	<2014-07-01
	16	NC9321-440002-000	隔热垫 Heat insulation pad	1	≥2014-07-01
	17	NC9321-440001-000	拉杆 Pull rod	1	
	18	G006170-000006-00	螺母 M6 Nut M6	1	
	19	G000093-000006-00	垫圈 6 Washer 6	1	
	20	G0097P1-000006-00	垫圈 6 Washer 6	1	

图5 机罩及底板总成
Fig.5 Hood and floor board assy

2.0t-3.8t
全部车型/All models of truck

序号 Item	物料码 Part NO.	名称 Description	数量 Qty	备注或适用车型 Remarks or Serial NO.
1	A307-430001-000	踏板垫 Pedal pad	1	Ⓔ Ⓔ² Ⓕ Ⓖ Ⓖ¹
1	A150-430004-000	踏板垫 Pedal pad	1	Ⓔ¹ Ⓔ³ Ⓕ¹ Ⓖ¹ Ⓖ¹¹
1	AGZ3011-430001-000	踏板垫 Pedal pad	1	Ⓔ² Ⓖ⁴ Ⓕ³
2	A307-431000-000	前底板总成 Floor board,front	1	Ⓔ Ⓔ² Ⓕ Ⓖ Ⓖ¹
2	AGZ3011-431000-000	前底板总成 Floor board,front	1	Ⓔ² Ⓖ⁴ Ⓕ³
2	A307-434000-000	前底板总成 Floor board,front	1	Ⓔ¹ Ⓔ³ Ⓕ¹ Ⓖ¹ Ⓖ¹¹
3	A150-432000-000	后底板总成 Floor board,behind	1	Ⓔ Ⓔ² Ⓕ Ⓔ¹ Ⓔ³ Ⓕ¹ Ⓖ Ⓖ¹ Ⓖ¹¹ Ⓖ¹¹
3	AGZ309-432000-000	后底板总成 Floor board,behind	1	Ⓔ² Ⓖ⁴ Ⓕ⁶ Ⓕ³ Ⓔ⁵
4	N163-435000-000	铰链 Hinge	2	
5	G005783-008025-00	螺栓 M8×25 Bolt M8×25	8	
6	G000093-000008-00	垫圈 8 Washer 8	8	
7	G0097P1-000008-00	垫圈8 Washer 8	8	
8	N163-430004-000	拧紧螺栓 Bolt on	2	非 CE,not CE
8	R960-430200-800	螺钉组件 Screws assy	2	CE
9	A300-430002-000	水箱盖板 Cover plate	1	剩余车型 Remaining models

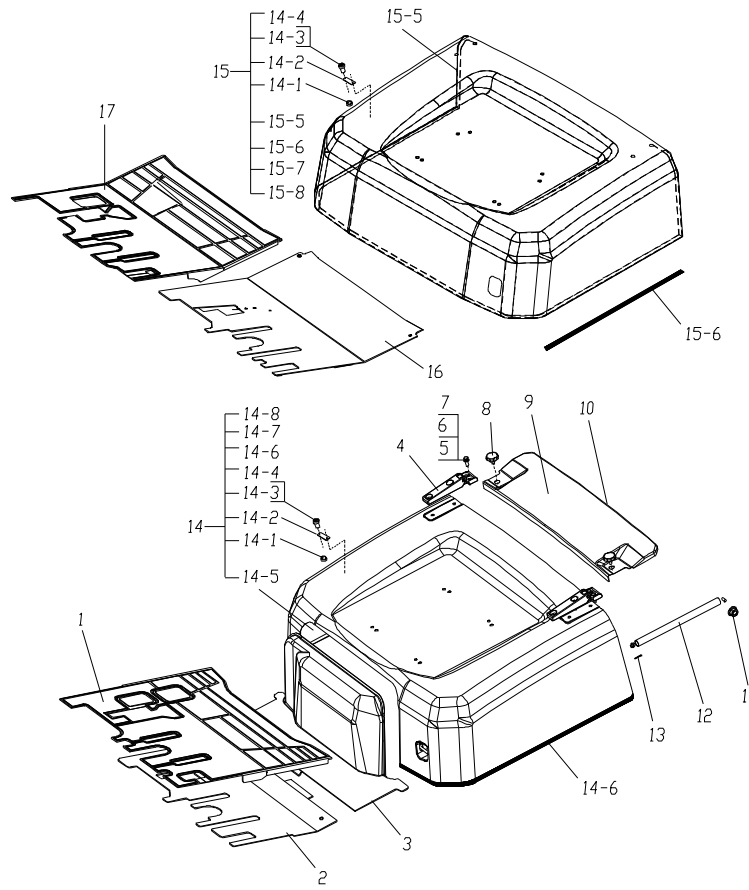


图5 机罩及底板总成
Fig.5 Hood and floor board assy

2.0t-3.8t
全部车型/All models of truck

序号 Item	物料码 Part NO.	名称 Description	数量 Qty	备注或适用车型 Remarks or Serial NO.
9	AX381-430002-000	水箱盖板 Cover plate	1	ⓐ2 ⓐ3 ⓐ2 ⓐ3 ⓐ3 ⓐ4 ⓐ3 ⓐ4 ⓐ3 ⓐ6
10	A300-430003-000	密封条 Seal strip	1	剩余车型 Remaining models
10	AX381-430003-000	密封条 Seal strip	1	ⓐ2 ⓐ3 ⓐ2 ⓐ3 ⓐ3 ⓐ4 ⓐ3 ⓐ4 ⓐ3 ⓐ6
11	G001337-000008-00	螺母 M8 Nut M8	1	
12	A300-430005-G00	气弹簧 Air spring	1	非 CE,not CE
12	A300-430005-800	气弹簧 Air spring	1	CE
13	G000091-003020-00	销 3×20 Pin3×20	3	
14	A150-433000-000	机罩总成 Hood assy	1	ⓐ ⓐ2 ⓐ ⓐ1 ⓐ3 ⓐ1 ⓐ ⓐ ⓐ1 ⓐ1
15	A300-433000-000	机罩总成 Hood assy	1	剩余车型 Remaining models
15	A300-433000-800	机罩总成 Hood assy	1	CE
14-1	G006170-000004-00	螺母 M4 Nut M4	2	
14-2	A300-433004-W00	文件夹 Folder	1	
14-3	G000818-004012-00	螺钉 M4×12 Screws M4×12	2	
14-4	G0097P1-000004-00	垫圈 4 Washer 4	2	
14-5	A150-433002-W00	隔热垫 Insulation pad	1	ⓐ ⓐ2 ⓐ ⓐ1 ⓐ3 ⓐ1 ⓐ ⓐ ⓐ1 ⓐ1

图5 机罩及底板总成
Fig.5 Hood and floor board assy

2.0t-3.8t
全部车型/All models of truck

序号 Item	物料码 Part NO.	名称 Description	数量 Qty	备注或适用车型 Remarks or Serial NO.
14-6	A150-433003-000	机罩整体密封条 Hood seal strip	1	Ⓔ Ⓔ2 Ⓕ Ⓔ1 Ⓔ3 Ⓕ1
14-7	NO PART NO.	筋板组件 Reinforcement plate component	1	Ⓚ Ⓛ Ⓚ1 Ⓛ1
14-8	NO PART NO.	机罩面板 Hood panel	1	
15-5	A300-433002-W00	隔热垫 Insulation pad	1	除外/Except Ⓔ Ⓔ2 Ⓕ Ⓔ1 Ⓔ3 Ⓕ1 Ⓚ Ⓛ Ⓚ1 Ⓛ1
15-6	A300-433003-000	机罩整体密封条 Hood seal strip	1	
15-7	NO PART NO.	筋板组件 Reinforcement plate component	1	
15-8	NO PART NO.	机罩面板 Hood panel	1	
15-5	A300-430320-G00	隔音垫 Sound insulating pad	1	OPS,感知系统
16	A300-431000-000	前底板总成 Floor board,front	1	Ⓐ Ⓐ2 Ⓑ Ⓒ Ⓒ2 Ⓓ Ⓔ Ⓕ Ⓖ Ⓙ Ⓕ Ⓖ2 Ⓖ Ⓕ Ⓖ Ⓖ4 Ⓖ4 Ⓖ Ⓖ2 Ⓖ
16	AGZ309-431000-000	前底板总成 Floor board,front	1	Ⓖ5 AG51G-Z Ⓖ5 AG52G-Z
16	A3011-431000-000	前底板总成 Floor board,front	1	Ⓛ Ⓛ Ⓛ Ⓛ Ⓛ Ⓛ Ⓛ Ⓛ2 Ⓛ6 Ⓛ Ⓛ Ⓛ
16	A300-434000-000	前底板总成 Floor board,front	1	Ⓐ1 Ⓑ1 Ⓒ1 Ⓓ1 Ⓐ3 Ⓑ3 Ⓒ3 Ⓔ1 Ⓕ1 Ⓖ1 Ⓙ1 Ⓕ1 Ⓖ1 Ⓕ1 Ⓖ1 Ⓖ3 Ⓖ3 Ⓖ1 Ⓖ1 Ⓖ Ⓖ
16	A3011-434000-000	前底板总成 Floor board,front	1	Ⓛ1 Ⓛ1 Ⓛ1 Ⓛ1 Ⓛ1 Ⓛ1 Ⓛ1 Ⓛ Ⓛ Ⓛ Ⓛ Ⓛ Ⓛ

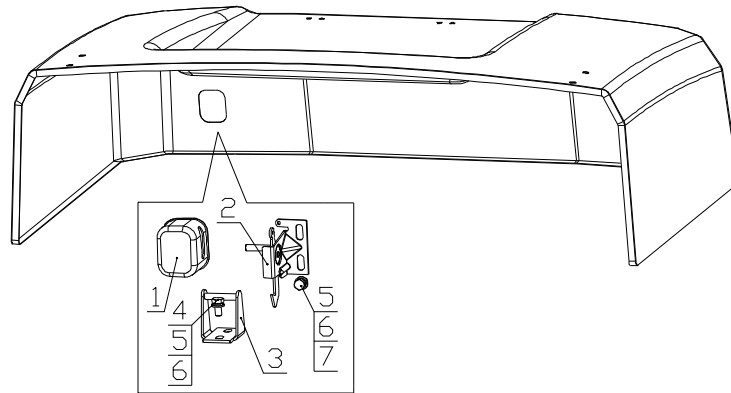
图5 机罩及底板总成
Fig.5 Hood and floor board assy

2.0t-3.8t
全部车型/All models of truck

序号 Item	物料码 Part NO.	名称 Description	数量 Qty	备注或适用车型 Remarks or Serial NO.
16	A300-434000-800	前底板总成 Floor board,front	1	OPS,感知系统
17	A300-430001-000	踏板垫 Pedal pad	1	Ⓐ Ⓐ2 Ⓑ Ⓒ Ⓒ2 Ⓓ Ⓔ Ⓕ Ⓖ Ⓙ Ⓚ Ⓛ Ⓜ Ⓝ Ⓡ Ⓢ Ⓣ Ⓤ Ⓟ Ⓠ Ⓡ
17	AGZ309-430001-000	踏板垫 Pedal pad	1	Ⓞ5 AG51G-Z Ⓞ5 AG52G-Z
17	A3011-430001-000	踏板垫 Pedal pad	1	Ⓤ Ⓟ Ⓡ Ⓢ Ⓣ Ⓤ2 Ⓝ2 Ⓞ6 ① ③ ④
17	A300-430004-000	踏板垫 Pedal pad	1	Ⓐ1 Ⓑ1 Ⓒ1 Ⓓ1 Ⓐ3 Ⓑ3 Ⓒ3 Ⓔ1 Ⓕ1 Ⓖ1 Ⓙ1 Ⓚ1 Ⓛ1 Ⓜ1 Ⓡ1 Ⓢ1 Ⓣ1 Ⓤ1 Ⓟ1 Ⓠ1
17	A3011-430004-000	踏板垫 Pedal pad	1	Ⓤ1 Ⓟ1 Ⓡ1 Ⓢ1 Ⓣ1 Ⓤ3 ⑤ ⑥

图6 锁扣总成
Fig.6 Lock assy

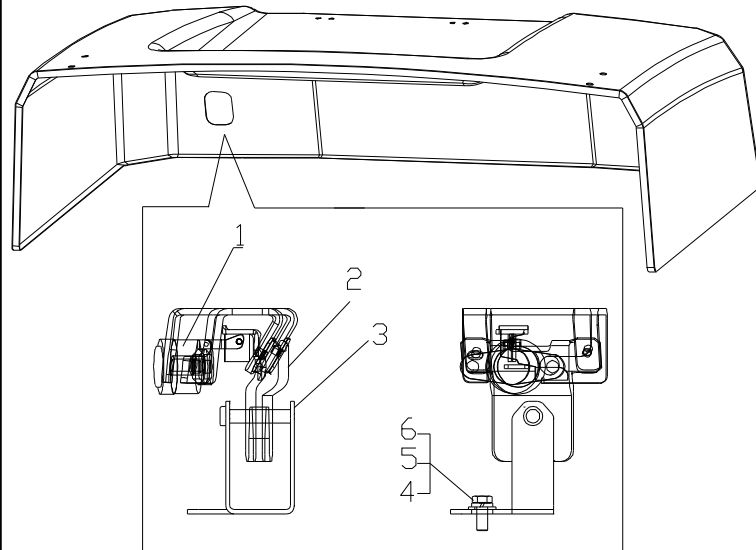
全部车型
All models of truck



序号 Item	物料码 Part NO.	名称 Description	数量 Qty	备注或适用车型 Remarks Or Serial NO.
A1	A300-432000-000	锁扣总成 Lock assy	1	包含/INC:1-7
1	XF250-432001-000	锁扣罩 Lock cover	1	
2	XF250-432100-000	锁扣 Lock	1	
3	A300-432200-000	底座弯板 Base bending plate	1	
4	G005783-008020-00	螺栓 M8×20 Bolt M8×20	2	
5	G000093-000008-00	垫圈 8 Washer 8	4	
6	G0097P1-000008-00	垫圈 8 Washer 8	2	
7	G005783-008016-00	螺栓 M8×16 Bolt M8×16	2	

图7 CE 锁扣总成
Fig.7 CE Lock assy

全部车型
All models of truck



序号 Item	物料码 Part NO.	名称 Description	数量 Qty	备注或适用车型 Remarks Or Serial NO.
A1	A300-432000-800	锁扣总成 Lock assy	1	包含/INC:1-6
1	XF250-432001-800	锁扣 I Lock I	1	带钥匙 With the key
2	XF250-432002-800	锁扣 II Lock II	1	
3	A300-432100-800	锁扣支座 Lock seat	1	
4	G005783-008014-00	螺栓 M8×14 Bolt M8×14	2	
5	G000093-000008-00	垫圈 8 Washer 8	2	
6	G0097P1-000008-00	垫圈 8 Washer 8	2	

图8 护顶架
Fig.8 Overhead guard

全部车型
All models of truck

序号 Item	物料码 Part NO.	名称 Description	数量 Qty	备注或适用车型 Remarks or Serial NO.
1	30060-G00	后视镜 Rear mirror	1	
2	A300-820000-000	顶架 Oberhead guard	1	
3	A300-840000-000	左支撑腿总成 Left pillar assy	1	
4	N163-800004-000	橡胶塞 Rubber plug	4	
5	N163-800006-000	垫圈 Washer	8	<2012-09-10
6	G000093-000016-00	垫圈 16 Washer 16	8	<2012-09-10
7	N163-800005-000	螺栓 Bolt	8	<2012-09-10
7	A300-800100-000	螺栓组件 Bolt assy	6	≥2012-09-10
8	A300-800001-000	左海绵垫 Left sponge	1	1.0t-3.5t
8	A300-800003-000	左海绵垫 Left sponge	1	3.8t
9	N163-420500-000	螺栓组件 Bolt assy	8	
10	A300-830000-000	右支撑腿总成 Right pillar assy	1	标配 Standard
10	A300-830000-520	右支撑腿总成 Right pillar assy	1	2.0t-3.5t 高位排气 High Exhaust
10	A300-830000-521	右支撑腿总成 Right pillar assy	1	3.8t 高位排气 High Exhaust
11	A300-800002-000	右海绵垫 Right sponge	1	1.0t-3.5t

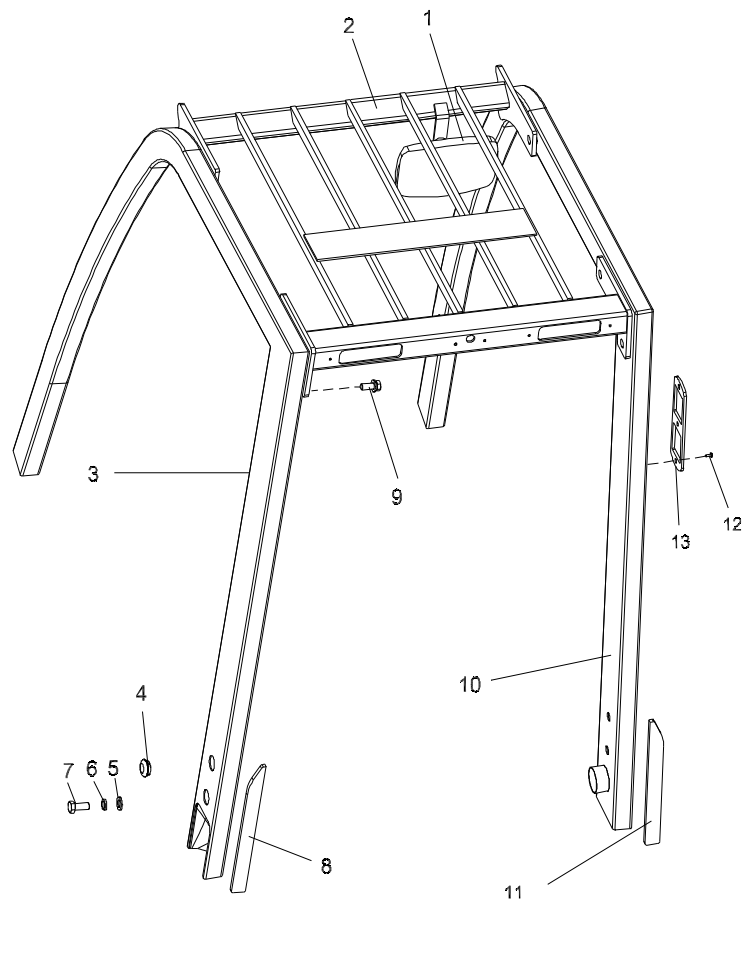
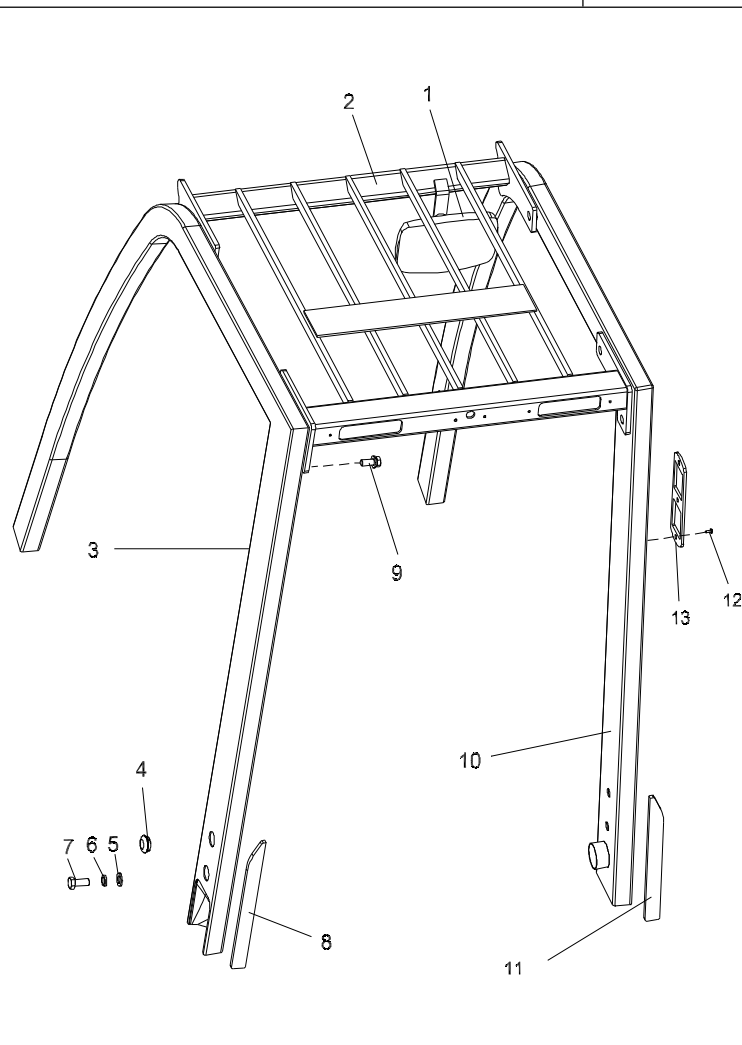


图 8 护顶架
Fig.8 Overhead guard

全部车型
All models of truck



序号 Item	物料码 Part NO.	名称 Description	数量 Qty	备注或适用车型 Remarks or Serial NO.
8	A300-800004-000	右海绵垫 Right sponge	1	3.8t
12	G000818-005012-00	螺钉 M5×12 Screw M5×12	3	
13	XF250-800004-000	盖板 Cover plate	1	

序号 Item	名称 Description	适用车型 Serial No.	页码 Page
图 2 Fig. 2	制动微动操纵总成&制动油管总成 Brake and inching control assy & Brake pipe assy	(A1) (B1) (C1) (C3) (D1) (E1) (E3) (F1) (G1) (H1) (I1) (J1) (K1) (L1) (M1) (N1) (O1) (P1) (Q1) (R1) (O3) (Q3) (S1) (T1) (U1) (V1) (W1) (X1) (Y1) (Z1) (U3) (5) (6) (7) (8) 液力车	5-5
图 3 Fig. 3	油门操纵总成 Throttle control assy	(A) (A2) (A1) (A3) (B) (B1) (B3) (I) (I1) (J) (J1) (M1) (N1) (S) (S1) (S2) (T) (T1)	5-9
图 4 Fig. 4	油门操纵总成 Throttle control assy	(C) (C1) (D) (D1) (C2) (C3) (7) (8)	5-12
图 5 Fig.5	油门操纵总成 Throttle control assy	(E) (E2) (E1) (E3) (F) (F1) (G) (G1) (H) (H1)	5-14
图 6 Fig.6	油门操纵总成 Throttle control assy	(K) (L) (L1)	5-16
图 7 Fig.7	油门操纵总成 Throttle control assy	(O) (O1) (P) (P1) (Q) (Q1) (R) (R1) (O2) (O5) (Q5) (Q6)	5-18
图 8 Fig.8	换挡操纵总成, 机械车 Change over control assy, Mechanical truck	(A) (A2) (B) (C) (C2) (D) (E) (E2) (F) (G) (H) (I) (J) (K) (L) (O) (O2) (P) (Q) (R) (O4) (Q4) (S) (S2) (T) (U) (V) (W) (X) (Y) (Z) (U2) (Y2) (U6) (1) (Q5) (3) (4)	5-20
图 9 Fig.9	换挡操纵总成, 液力车 Change over control assy, Hydrodynamic truck	(A1) (B1) (C1) (C3) (D1) (E1) (E3) (F1) (G1) (H1) (I1) (J1) (K1) (L1) (M1) (N1) (O1) (P1) (Q1) (R1) (O3) (Q3) (S1) (T1) (U1) (V1) (W1) (X1) (Y1) (Z1) (U3) (5) (6)	5-21
图 10 Fig.10	手制动操纵总成 Hand brake contr assy	除外/Except (A3) (B3)	5-23
图 11 Fig.11	手制动操纵总成 Hand brake contr assy	(A3) (B3)	5-24
图 12 Fig.12	制动微动踏板总成 Brake and inch pedal assy	(A3) (B3)	5-25
图 13 Fig.13	微动推杆支架 Inching Budge push-rod stents	(A3) (B3)	5-29
图 14 Fig.14	制动总泵总成 Brake pump assy	(A3) (B3) (O5) (U4) (2) (Y3) (Q6)	5-30
图 15 Fig.15	制动离合踏板总成 Brake clutch pedal assy	(O5) (U4) (2) (Y3) (Q6)	5-31
图 16 Fig.16	换挡操纵总成 Change over control assy	(O5) (U4) (2) (Y3) (Q6)	5-35

序号 Item	名称 Description	适用车型 Serial No.	页码 Page
图 17 Fig.17	油门操纵总成 Throttle control assy	U U1 V V1 W X Y Z W1 X1 Y1 Z1 U2 U4 Y2 U3 U6 1 2 Y3 3 4 5 6	5-36

图 1 制动离合操纵总成&制动油管总成
 Fig.1 Clutch control assy & Brake pipe assy

A A2 B C C2 D E E2 F G H I J K L O O2 P Q R O4 O4 S S2 T U V W X Y Z
 U2 Y2 U3 U6 ① O5 ③ ④ CPC, CPQ
 机械车 Mechanical truck

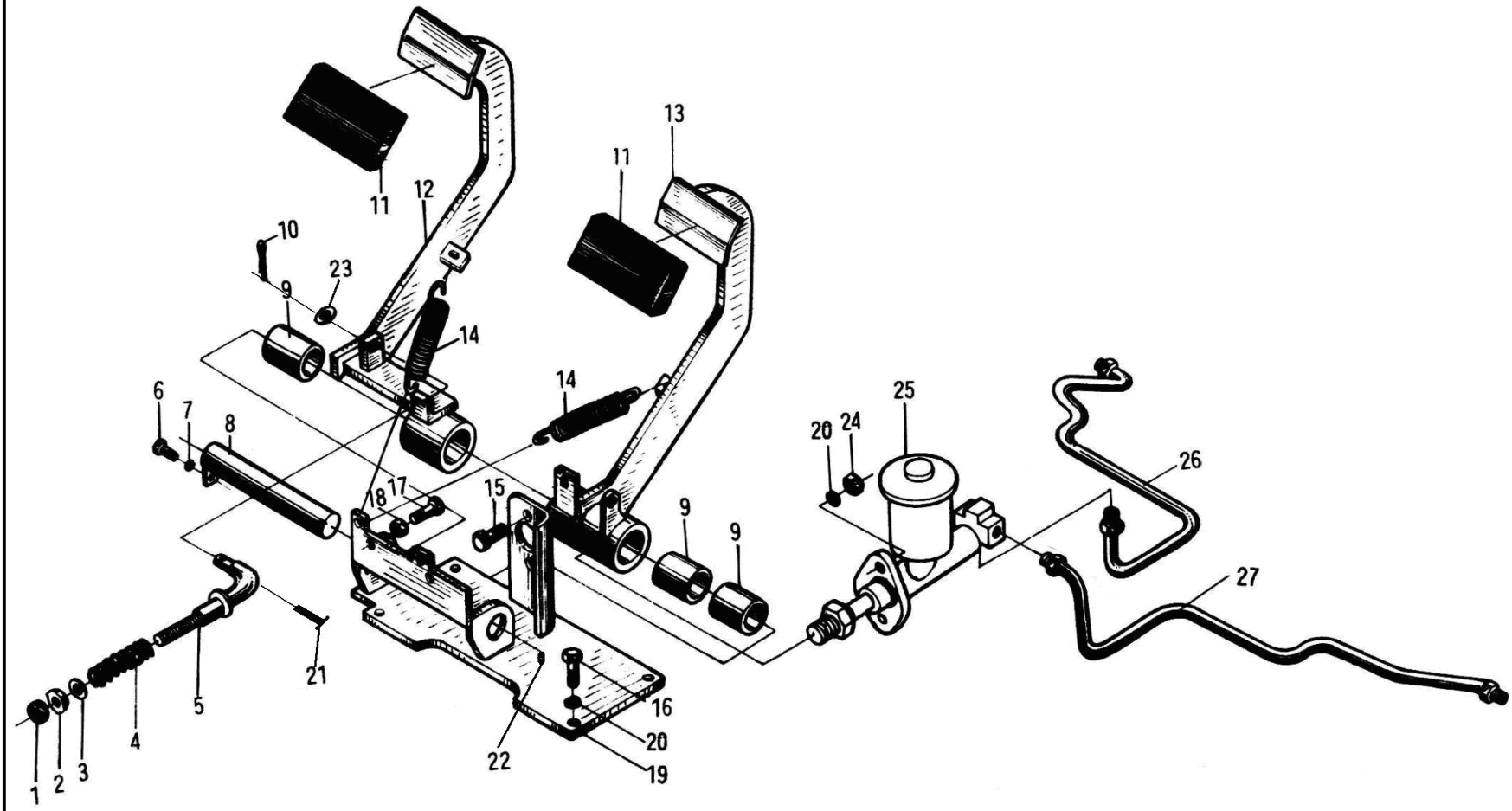
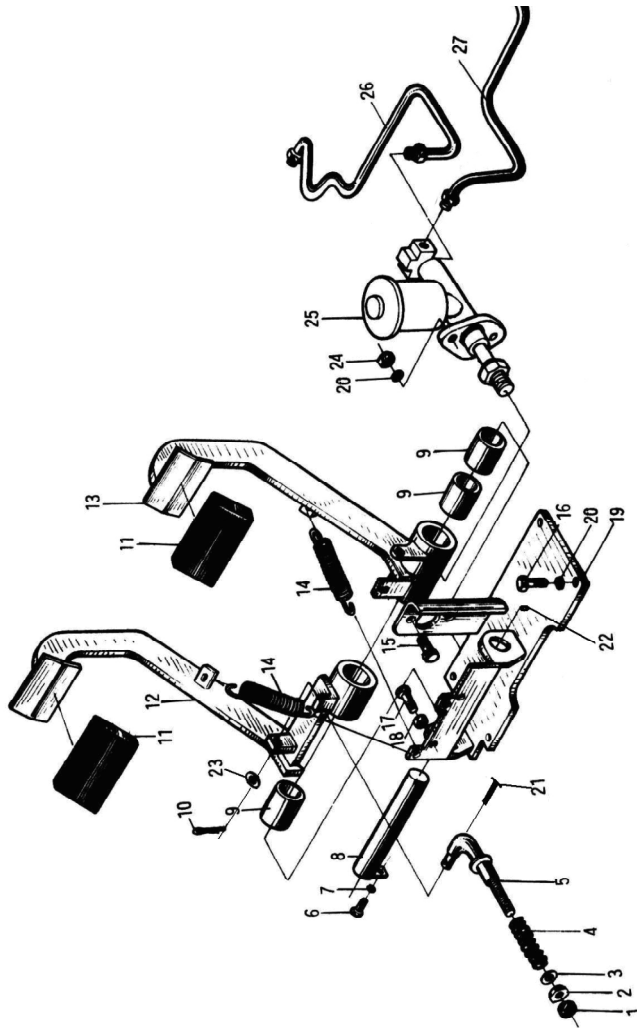


图1 制动离合操纵总成&制动油管总成
Fig.1 Clutch control assy & Brake pipe assy

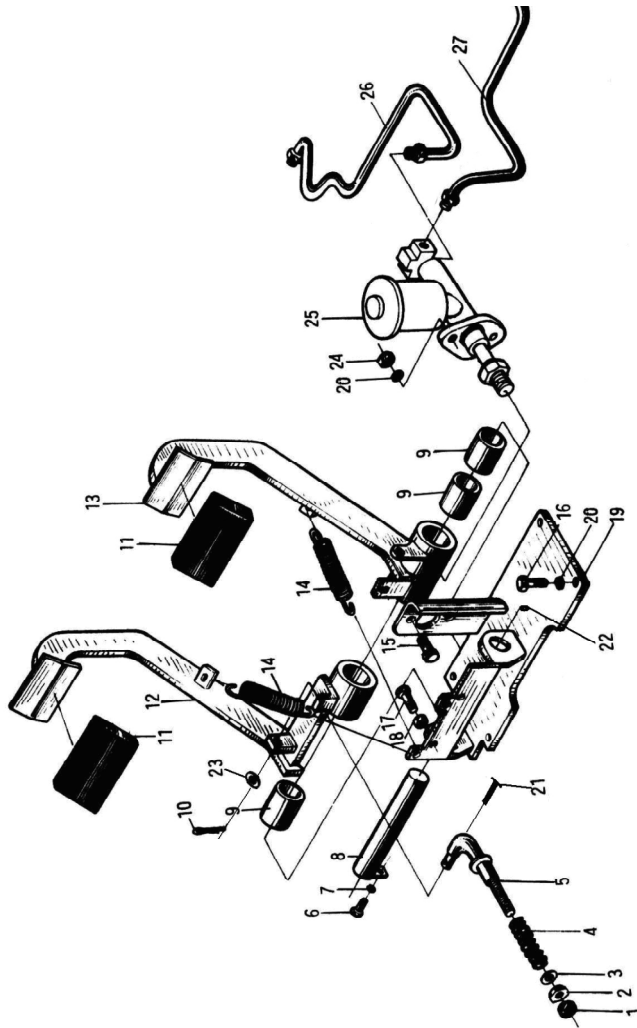
(A) (A2) (B) (C) (C2) (D) (E) (E2) (F) (G) (H) (I) (J) (K) (L) (O) (O2) (P) (Q) (R) (Q4) (Q4) (S) (S2) (T) (U) (V) (W) (X) (Y) (Z)
 (U2) (Y2) (U6) (1) (O5) (3) (4) **CPC,CPQ**
 机械车 Mechanical truck



序号 Item	物料码 Part NO.	名称 Description	数量 Qty	备注或适用车型 Remarks or Serial NO.
A1	A300-510000-000	制动离合操纵总成 Clutch control assy	1	包含/INC:1-25
1	G006171-000010-00	螺母M10×1 Nut M10×1	1	
2	N150-511001-000	球形螺母 Ball nut	1	
3	G000096-000010-00	垫圈10 Washer 10	1	
4	N150-511002-000	压缩弹簧 Spring	1	
5	A300-514000-000	拉杆 Pull rod	1	
6	G005783-006015-00	螺栓M6×15 Bolt M6×15	1	
7	G000093-000006-00	垫圈6 Washer 6	1	
8	30HB-511500A	销轴 Pin shaft	1	除外 Except (O2) (S2) (Y2) (U2) (1)
8	A300-511000-001	销轴 Pin shaft	1	(O2) (S2) (Y2) (U2) (1) (3) (4)
9	N163-514001-000	套 Bushing	4	除外 Except (O2) (S2) (Y2) (U2) (1)
9	A300-510001-001	套 Bushing	4	(O2) (S2) (Y2) (U2) (1) (3) (4)
10	G000091-3P2025-00	销3.2×25 Pin 3.2×25	1	
11	N163-512001-000	踏板垫 Pedal gasket	2	
12	A300-513000-000	离合踏板 Clutch pedal	1	除外/Except (K) (L)

图1 制动离合操纵总成&制动油管总成
Fig.1 Clutch control assy & Brake pipe assy

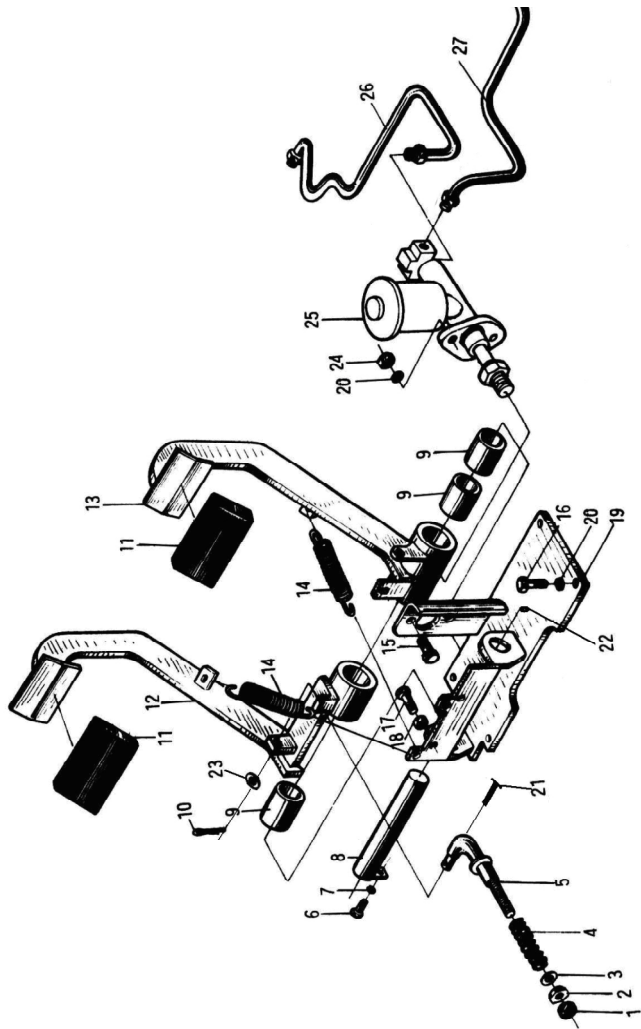
Ⓐ Ⓐ² Ⓑ Ⓒ Ⓒ² Ⓓ Ⓔ Ⓔ² Ⓕ Ⓖ Ⓕ Ⓖ Ⓘ Ⓙ Ⓚ Ⓛ Ⓛ² Ⓜ Ⓜ² Ⓟ Ⓟ² Ⓠ Ⓠ² Ⓡ Ⓡ² Ⓢ Ⓢ² Ⓣ Ⓤ Ⓥ Ⓦ Ⓧ Ⓨ Ⓩ
 Ⓤ² Ⓨ² Ⓡ² ① Ⓡ² ③ ④ CPC,CPQ
 机械车 Mechanical truck



序号 Item	物料码 Part NO.	名称 Description	数量 Qty	备注或适用车型 Remarks or Serial NO.
12	A306-511000-000	离合踏板 Clutch pedal	1	Ⓚ Ⓛ 汽油机Dasoline engine
13	A300-512000-000	制动踏板 Pedal	1	
14	30HB-511004	拉簧 Spring,Return	2	
15	G005783-010030-00	螺栓M10×30 Bolt M10×30	2	
16	G000070-010025-00	螺钉M10×25 Screw M10×25	4	
17	G005783-008030-00	螺栓M8×30 Bolt M8×30	2	
18	G006170-000008-00	螺母M8 Nut M8	3	
19	A300-511000-000	支架 Bracket	1	
20	G000093-000010-00	垫圈10 Washer 10	6	
21	G000882-010035-01	销轴B10×35 Pin shaft B10×35	1	
22	G001152-006000-00	油杯M6 Grease nipple M6	1	
23	G0097P1-000010-00	垫圈10 Washer 10	2	
24	G006170-000010-00	螺母M10 Nut M10	2	
25	30HB-511400	制动总泵总成 Brake pump assy	1	
A2	A300-530000-000	制动油管总成 Brake pipe assy	1	包含/INC:26-27

图1 制动离合操纵总成&制动油管总成
Fig.1 Clutch control assy & Brake pipe assy

(A) (A2) (B) (C) (C2) (D) (E) (E2) (F) (G) (H) (I) (J) (K) (L) (O) (O2) (P) (Q) (R) (Q4) (Q4) (S) (S2) (T) (U) (V) (W) (X) (Y) (Z)
 (U2) (Y2) (U6) (1) (39) (3) (4) CPC, CPQ
 机械车 Mechanical truck



序号 Item	物料码 Part NO.	名称 Description	数量 Qty	备注或适用车型 Remarks or Serial NO.
26	A300-530100-000	左制动油管总成 Brake pipe assy,Left	1	
27	A300-530200-000	右制动油管总成 Brake pipe assy,Right	1	

图2 制动微动操纵总成&制动油管总成

Fig.2 Brake and inching control assy &

Brake pipe assy

- (A1) (B1) (C1) (C3) (D1) (E1) (E3) (F1) (G1) (H1) (I1) (J1) (K1) (L1) (M1) (N1) (O1) (P1) (Q1) (R1) (O3) (Q3) (S1) (T1) (U1) (V1) (W1) (X1) (Y1)
(Z1) (U3) (5) (6) (7) (8), CPCD, CPQD
液力车 Hydrodynamic truck

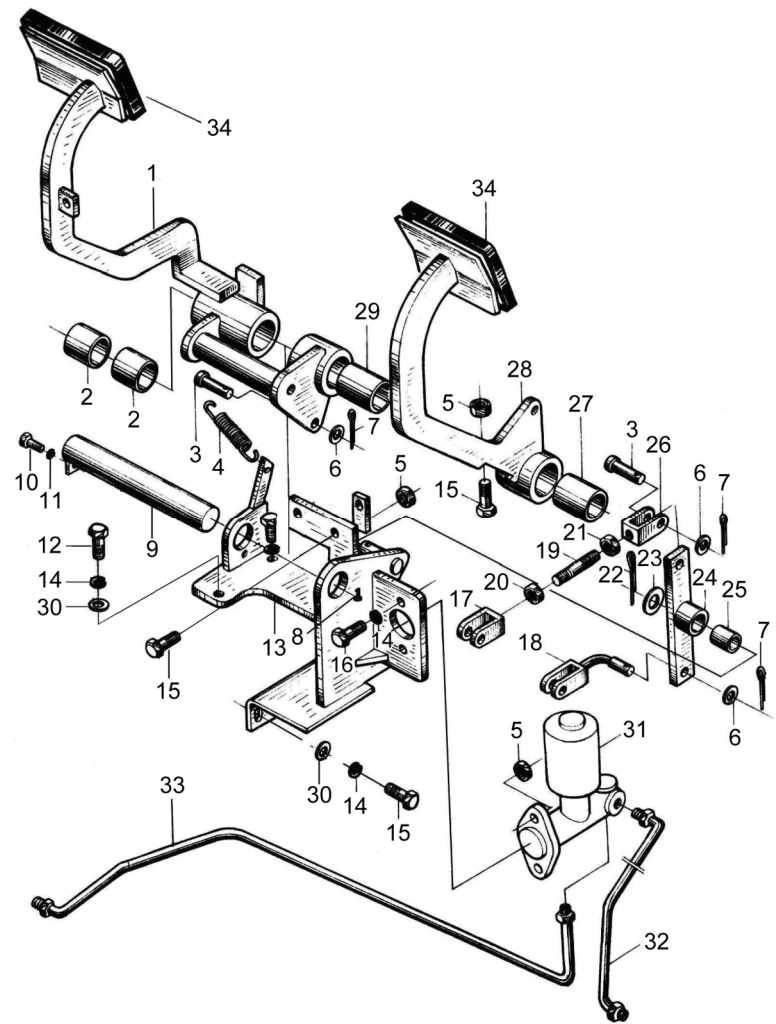
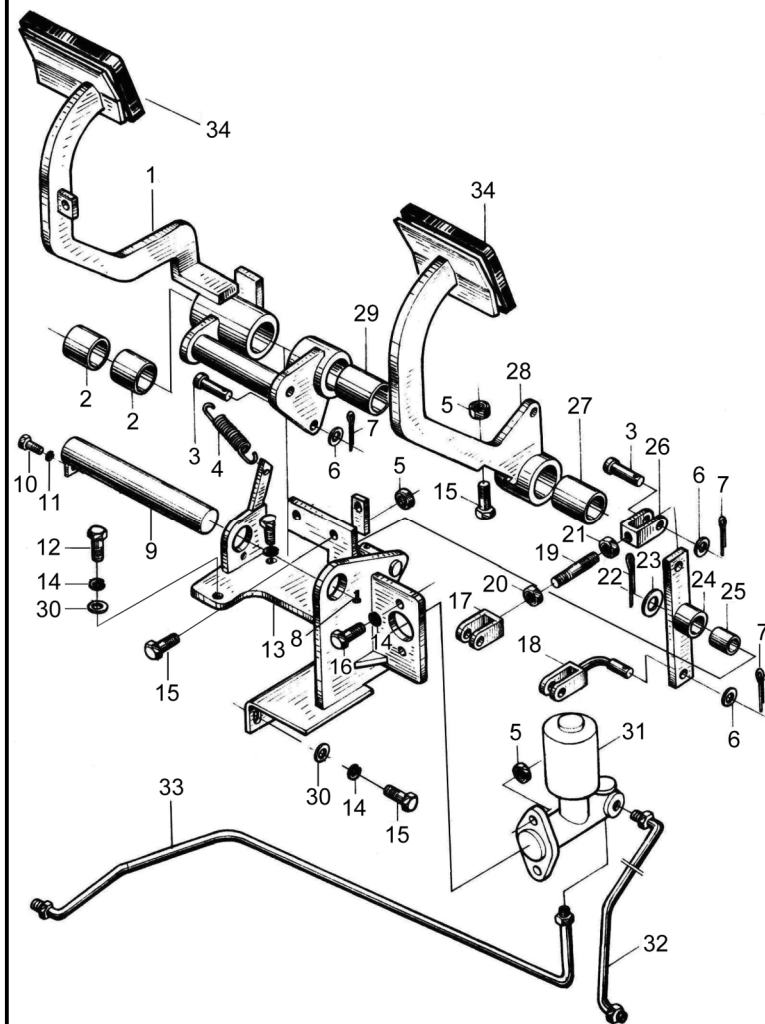


图2 制动微动操纵总成&制动油管总成
Fig.2 Brake and inching control assy &
Brake pipe assy

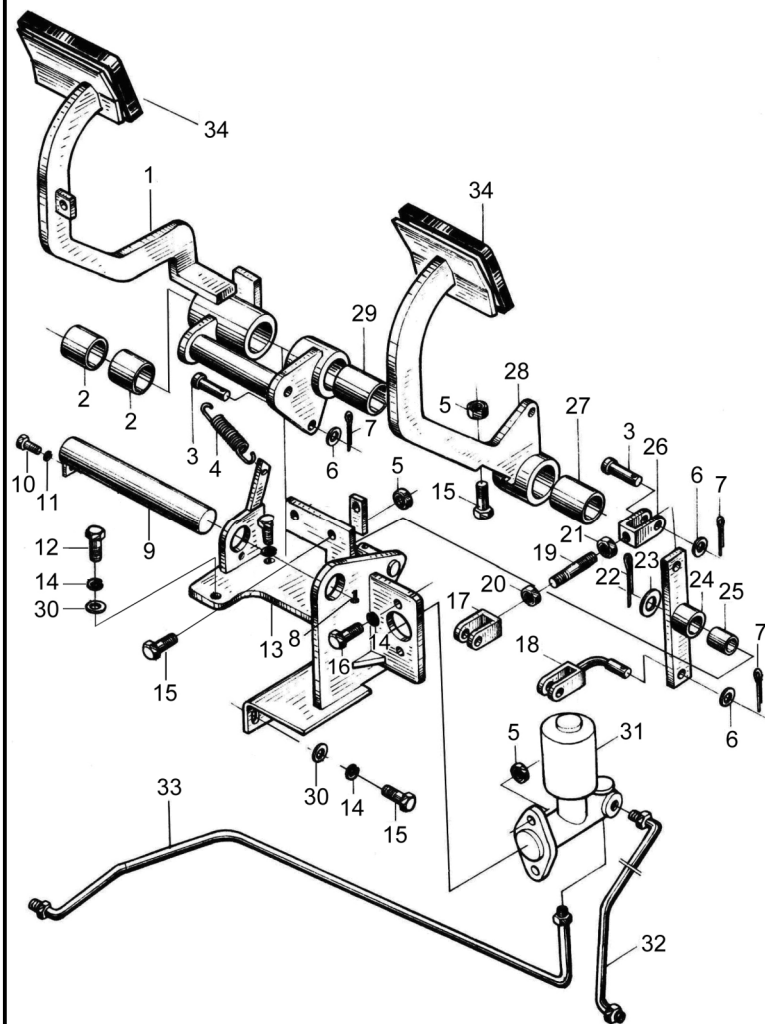
(A1) (B1) (C1) (C3) (D1) (E1) (E3) (F1) (G1) (H1) (H1) (J1) (K1) (L1) (M1) (N1) (O1) (P1) (Q1) (R1) (O3) (Q3) (S1) (T1) (U1) (V1) (W1) (X1) (Y1)
 (Z1) (U3) (5) (6) (7) (8), CPCD, CPQD
 液力车 Hydrodynamic truck



序号 Item	物料码 Part NO.	名称 Description	数量 Qty	备注或适用车型 Remarks or Serial NO.
1	A310-512000-000	制动踏板 Brake pedal	1	<2020-10-23
1	A310-512000-001	制动踏板 Brake pedal	1	≥2020-10-23
2	N163-514001-000	套 sleeve	2	
3	G000882-008028-01	销轴B8×28 Pin shaft B8×28	3	
4	30HB-511004	拉簧 Spring	2	
5	G006170-000010-00	螺母M10 Nut M10	4	
6	G0097P1-000008-00	垫圈8 Washer 8	4	
7	G000091-3P2024-00	销3.2×24 Pin 3.2×24	4	
8	Q701B90-NPT1/16-G00	油杯 Grease nipple	1	
9	30DHB-512800A	主销 Pin	1	
10	G005783-006015-00	螺栓M6×15 Bolt M6×15	1	
11	G000093-000006-00	垫圈6 Washer 6	1	
12	G000070-010025-00	螺钉M10×25 Screw M10×25	2	
13	A310-511000-000	支架总成 Bracket assembly	1	<2020-10-23
13	A310-511000-001	支架总成 Bracket assembly	1	≥2020-10-23

图2 制动微动操纵总成&制动油管总成
Fig.2 Brake and inching control assy &
Brake pipe assy

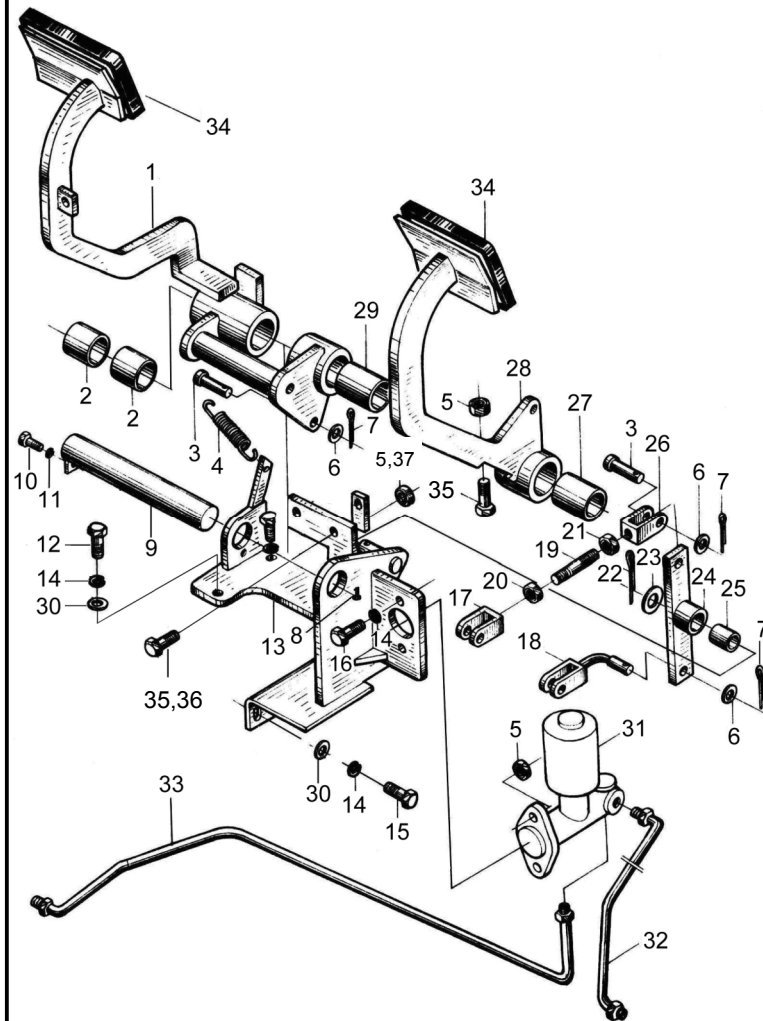
(A1) (B1) (C1) (C3) (D1) (E1) (E3) (F1) (G1) (H1) (H1) (J1) (K1) (L1) (M1) (N1) (O1) (P1) (Q1) (R1) (O3) (Q3) (S1) (T1) (U1) (V1) (W1) (X1) (Y1)
②③⑤⑥⑦⑧, CPCD, CPQD
液力车 Hydrodynamic truck



序号 Item	物料码 Part NO.	名称 Description	数量 Qty	备注或适用车型 Remarks or Serial NO.
14	G000093-000010-00	垫圈10 Washer 10	6	
15	G005783-010025-00	螺栓M10×25 Bolt M10×25	2	
16	G005783-010030-00	螺栓M10×30 Bolt M10×30	2	
17	30DHB-512002	叉头 Yoke	1	
18	30DHB-512400	微动阀连杆总成 Inching valve pull rod	1	
19	30DHB-512001	调节螺杆 Adjusting bolt	1	
20	G006174-000008-00	螺母M8-左旋 Nut M8	1	
21	G006174-000008-00	螺母M8 Nut M8	1	
22	G000091-004045-00	销4×45 Pin 4×45	1	
23	G0097P1-000016-00	垫圈16 Washer 16	1	
24	A310-514000-000	微动阀摆杆 Inching valve swing rod	1	
25	SF-1-1620-G00	复合衬套1620 Bush 1620	1	
26	15D-511001	叉头 Yoke	1	
27	30DHB-512004A	套 sleeve	1	
28	A310-513000-000	微动踏板 Slight travel pedal	1	

图2 制动微动操纵总成&制动油管总成
Fig.2 Brake and inching control assy &
Brake pipe assy

(A1) (B1) (C1) (C3) (D1) (E1) (E3) (F1) (G1) (H1) (H1) (J1) (K1) (L1) (M1) (N1) (O1) (P1) (Q1) (R1) (O3) (Q3) (S1) (T1) (U1) (V1) (W1) (X1) (Y1)
②③⑤⑥⑦⑧, CPCD, CPQD
液力车 Hydrodynamic truck



序号 Item	物料码 Part NO.	名称 Description	数量 Qty	备注或适用车型 Remarks or Serial NO.
29	30DHB-512003A	套 sleeve	1	
30	G0097P1-000010-00	垫圈10 Washer	4	
31	30HB-511400	制动总泵总成 Brake pump assy	1	
32	A310-530100-000	左制动油管总成 Brake pipe assy,Left	1	
33	A310-530200-000	右制动油管总成 Brake pipe assy,Right	1	
34	N163-512001-000	踏板垫 Pedal gaske	2	
35	G005783-010035-00	螺栓M10×35 Bolt M10×35	2	<2020-10-23
35	G005783-010035-00	螺栓M10×35 Bolt M10×35	1	≥2020-10-23
36	G005783-008035-00	螺栓M8×35 Bolt M8×35	1	≥2020-10-23
37	G006170-000008-00	螺母M8 Nut M8	1	≥2020-10-23

图3 油门操纵总成
Fig.3 Throttle control assy

- | | | | |
|--------------------------------|----------------------------------|---------------------------------|----------------------------------|
| Ⓐ CPC30/35/38-AG2 | Ⓐ ₁ CPCD30/35/38-AG2 | Ⓐ ₂ CPC30/35-AG2-Z | Ⓐ ₃ CPCD30/35/38-AG2E |
| Ⓑ CPC20/25-AG2 | Ⓑ ₁ CPCD20/25-AG2 | | Ⓑ ₃ CPCD20/25-AG2E |
| Ⓘ CPC30/35/38-AW27 | Ⓘ ₁ CPCD30/35/38-AW27 | Ⓘ ₂ CPC20/25-AW27 | Ⓘ ₃ CPCD20/25-AW27 |
| Ⓜ ₁ CPCD30/35-AW67 | Ⓜ ₂ CPCD20/25-AW67 | Ⓜ ₃ CPC30/35/38-AG2J | Ⓜ ₄ CPCD30/35/38-AG2J |
| Ⓢ ₂ CPC30/35-AG2J-Z | Ⓢ ₁ CPC20/25-AG2J | Ⓢ ₃ CPC20/25-AG2J | ⑦ CPCD20/25-AW55 |
| | | | ⑧ CPCD30/35/38-AW55 |

序号 Item	物料码 Part NO.	名称 Description	数量 Qty	备注或适用车型 Remarks or Serial NO.
A1	A300-520000-000	油门操纵总成 Throttle control assy	1	除⑦⑧外 except⑦⑧
A1	A3119-520000-000	油门操纵总成 Throttle control assy	1	⑦⑧
1	A300-522000-000	油门踏板 Gas pedal	1	
2	G005783-006020-00	螺栓M6×20 Bolt M6×20	3	
3	G006170-000006-01	螺母M6 Nut M6	5	⑦⑧ 数量 3 Qty3
4	G000093-000006-00	垫圈6 Washer 6	4	⑦⑧ 数量 3 Qty3
5	G0097P1-000006-00	垫圈6 Washer 6	5	除⑦⑧外 except⑦⑧
6	GR501-520001-000	拉线挂销 Fix pin, throttle line	1	除⑦⑧外 except⑦⑧
7	G0894P1-000010-00	轴用弹性挡圈-A型10 Snap ring	2	
8	30DH-530002	滚轮 Roller	1	
9	G000848-000010-00	垫圈10 Washer 10	1	
10	N163-520001-000	限位螺钉 Bolt	1	
11	G006170-000008-00	螺母M8 Nut M8	2	
12	3DEW4-530003	回位弹簧 Spring	1	

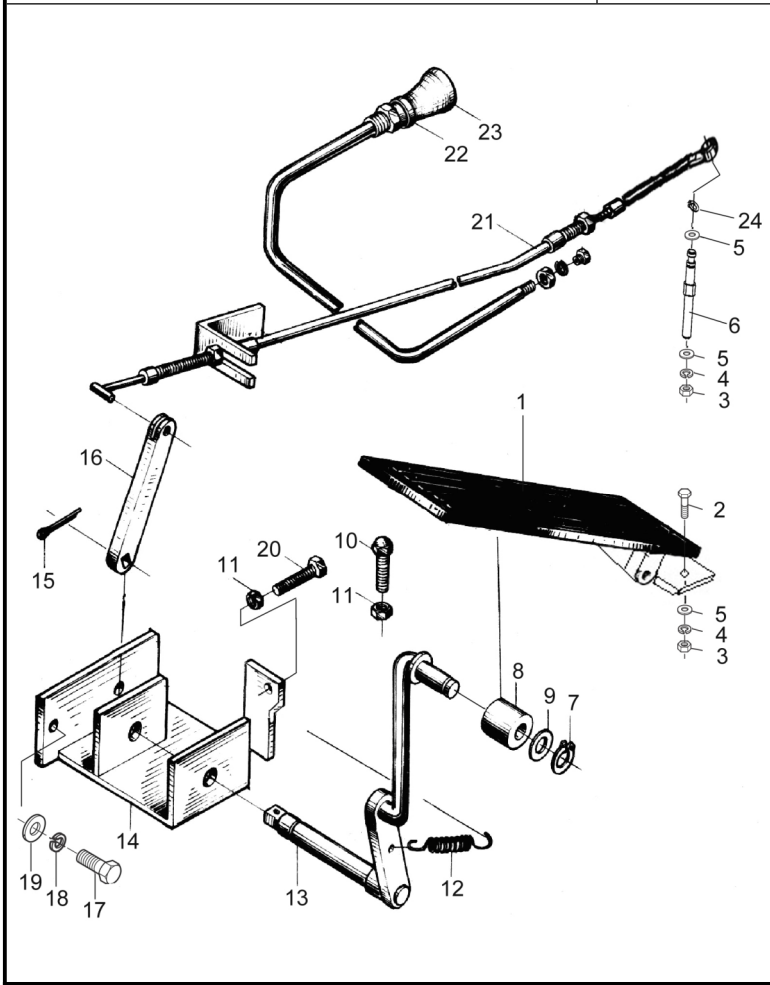
图3 油门操纵总成
Fig.3 Throttle control assy

- | | | | |
|--------------------------------|----------------------------------|-------------------------------|----------------------------------|
| Ⓐ CPC30/35/38-AG2 | Ⓐ ¹ CPCD30/35/38-AG2 | Ⓐ ² CPC30/35-AG2-Z | Ⓐ ³ CPCD30/35/38-AG2E |
| Ⓑ CPC20/25-AG2 | Ⓑ ¹ CPCD20/25-AG2 | | Ⓑ ³ CPCD20/25-AG2E |
| Ⓘ CPC30/35/38-AW27 | Ⓘ ¹ CPCD30/35/38-AW27 | Ⓙ CPC20/25-AW27 | Ⓙ ¹ CPCD20/25-AW27 |
| Ⓜ ¹ CPCD30/35-AW67 | Ⓜ ² CPCD20/25-AW67 | Ⓢ CPC30/35/38-AG2J | Ⓢ ¹ CPCD30/35/38-AG2J |
| Ⓢ ² CPC30/35-AG2J-Z | Ⓢ ³ CPC20/25-AG2J | Ⓢ ⁷ CPCD20/25-AW55 | Ⓢ ⁸ CPCD30/35/38-AW55 |

序号 Item	物料码 Part NO.	名称 Description	数量 Qty	备注或适用车型 Remarks or Serial NO.
13	A300-521000-000	摇杆总成 Rocker rod assy	1	
13	A300-521000-800	摇杆总成 Rocker rod assy	1	电磁阀换向 Solenoid valve Commutation
14	A300-523000-000	支架体 Bracket	1	
14	A300-523000-800	支架体 Bracket	1	电磁阀换向 Solenoid valve Commutation
15	G000091-3P2016-00	销3.2×16 Pin 3.2×16	1	除⑦⑧外 except⑦⑧
15	G000091-2P5015-00	销2.5×15 Pin 2.5×15	1	⑦⑧
16	40DH-530002	摆臂 Rocker arm	1	
17	G005783-008040-00	螺栓M8×40 Bolt M8×40	2	
18	G000093-000008-00	垫圈8 Washer 8	2	
19	G0097P1-000008-00	垫圈8 Washer 8	2	<2012-08-30
20	G005783-008080-00	螺栓M8×65 Bolt M8×65	1	⑦⑧ 数量 2 Qty2
21	40DH-532000	油门拉线 Throttle 1ine	1	除⑦⑧外 except⑦⑧
21	A3119-521000-000	油门拉线 Throttle 1ine	1	⑦⑧
22	25DE-65-1	防水圈 Leak preventer washer	1	<2013-01-01

图3 油门操纵总成
Fig.3 Throttle control assy

- | | | | |
|--------------------------------|----------------------------------|-------------------------------|---|
| Ⓐ CPC30/35/38-AG2 | Ⓐ ₁ CPCD30/35/38-AG2 | Ⓐ ₂ CPC30/35-AG2-Z | Ⓐ ₃ CPCD30/35/38-AG2E |
| Ⓑ CPC20/25-AG2 | Ⓑ ₁ CPCD20/25-AG2 | | Ⓑ ₃ CPCD20/25-AG2E |
| Ⓘ CPC30/35/38-AW27 | Ⓘ ₁ CPCD30/35/38-AW27 | Ⓙ CPC20/25-AW27 | Ⓙ ₁ CPCD20/25-AW27 |
| Ⓜ ₁ CPCD30/35-AW67 | Ⓜ ₂ CPCD20/25-AW67 | Ⓢ CPC30/35/38-AG2J | Ⓢ ₁ CPCD30/35/38-AG2J |
| Ⓢ ₂ CPC30/35-AG2J-Z | Ⓣ CPC20/25-AG2J | Ⓣ ₁ CPCD20/25-AG2J | ⑦ CPCD20/25-AW55
⑧ CPCD30/35/38-AW55 |



序号 Item	物料码 Part NO.	名称 Description	数量 Qty	备注或适用车型 Remarks or Serial NO.
23	A300-524000-000	熄火拉线总成 flameout back guy	1	除⑦⑧外 except⑦⑧
24	G000896-000004-00	挡圈4 Snap ring4	1	除⑦⑧外 except⑦⑧

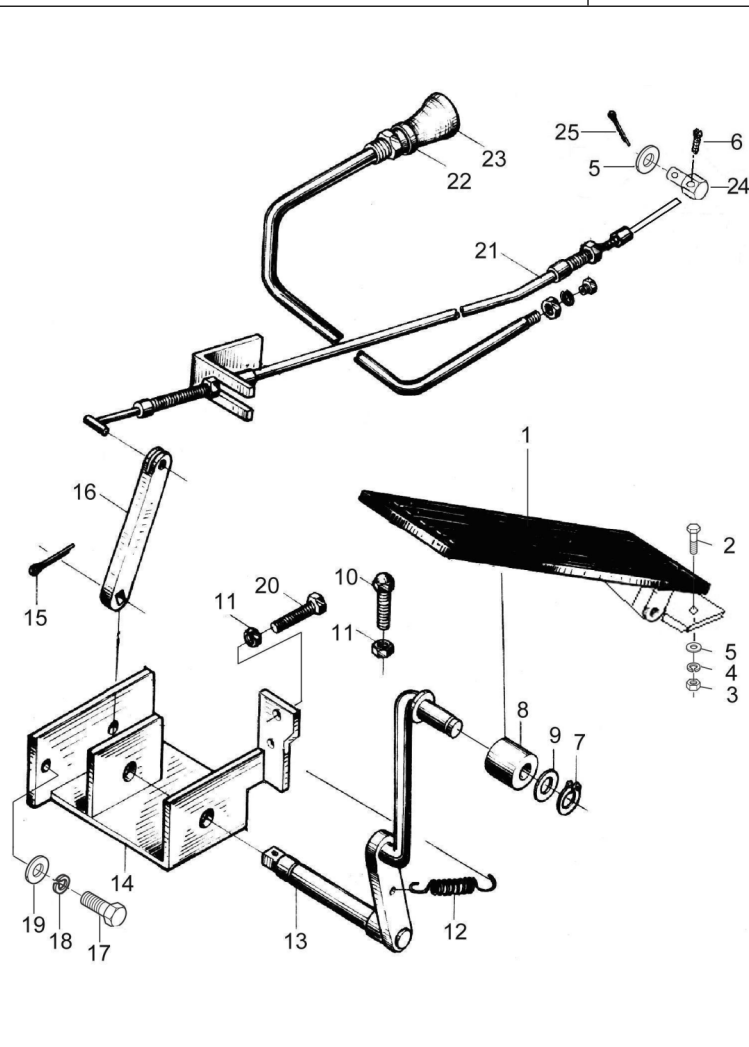
图4 油门操纵总成
Fig.4 Throttle control assy

© CPC30/35/38-AG32 ©1 CPCD30/35/38-AG32 © D CPC20/25-AG32 © D1 CPCD20/25-AG32
©2 CPC38-AXG32 ©3 CPCD38-AXG32

序号 Item	物料码 Part NO.	名称 Description	数量 Qty	备注或适用车型 Remarks or Serial NO.
A1	A301-510000-000	油门操纵总成 Throttle control assy	1	
1	A300-522000-000	油门踏板 Gas pedal	1	
2	G005783-006020-00	螺栓M6×20 Bolt M6×20	2	
3	G006170-000006-01	螺母M6 Nut M6	3	
4	G000093-000006-00	垫圈6 Washer 6	3	
5	G0097P1-000006-00	垫圈6 Washer 6	4	
6	G000067-005010-00	螺钉M5×10 Bolt	1	
7	G0894P1-000010-00	轴用弹性挡圈-A型10 Snap ring	2	
8	30DH-530002	滚轮 Roller	1	
9	G000848-000010-00	垫圈10 Washer 10	1	
10	N163-520001-000	限位螺钉 Bolt	1	
11	G006170-000008-00	螺母M8 Nut M8	2	
12	3DEW4-530003	回位弹簧 Spring	1	
13	A300-521000-000	摇杆总成 Rocker rod assy	1	
14	A300-523000-000	支架体 Bracket	1	

图4 油门操纵总成
Fig.4 Throttle control assy

© CPC30/35/38-AG32 © CPCD30/35/38-AG32 © CPC20/25-AG32 © CPCD20/25-AG32
 © CPC38-AXG32 © CPCD38-AXG32



序号 Item	物料码 Part NO.	名称 Description	数量 Qty	备注或适用车型 Remarks or Serial NO.
15	G000091-3P2016-00	销3.2×16 Pin3.2×16	1	
16	40DH-530002	摆臂 Rocker arm	1	
17	G005783-008040-00	螺栓M8×40 Bolt M8×40	2	
18	G000093-000008-00	垫圈8 Washer 8	2	
19	G0097P1-000008-00	垫圈8 Washer 8	2	<2012-08-30
20	G005783-008080-00	螺栓M8×65 Bolt M8×65	1	
21	30HBG32-531000	油门拉线 Throttle line	1	
22	25DE-65-1	防水圈 Leak preventer washer	1	<2013-01-01
23	A301-511000-000	熄火拉线总成 flameout back guy	1	
24	R9617-510001-000	推耳 Ear-bolt	1	
25	G000091-2P5015-00	销2.5×15 Pin	1	

图5 油门操纵总成
Fig.5 Throttle control assy

Ⓔ CPC30-AW10
Ⓕ CPC20/25-AW10
Ⓖ CPC30-AXW10

Ⓔ CPCD30-AW10
Ⓕ CPCD20/25-AW10
Ⓖ CPCD30-AXW10

Ⓖ CPC30/35/38-AW13
Ⓕ CPC20/25-AW13

Ⓖ CPCD30/35/38-AW13
Ⓕ CPCD20/25-AW13

序号 Item	物料码 Part NO.	名称 Description	数量 Qty	备注或适用车型 Remarks or Serial NO.
A1	A302-520000-000	油门操纵总成 Throttle control assy	1	Ⓖ Ⓕ Ⓕ Ⓕ
A2	A307-510000-000	油门操纵总成 Throttle control assy	1	Ⓔ Ⓖ Ⓔ Ⓕ Ⓕ Ⓕ
A3	见图3 序号A1 See Fig.3 Item A1	油门操纵总成 Throttle control assy	1	Ⓖ Ⓕ 选配 Optional 电磁阀换向 Solenoid valve Commutation
1	A300-522000-000	油门踏板 Gas pedal	1	
2	G005783-006020-00	螺栓M6×20 Bolt M6×20	3	
3	G006170-000006-01	螺母M6 Nut M6	3	
4	G000093-000006-00	垫圈6 Washer 6	3	
5	G0097P1-000006-00	垫圈6 Washer 6	5	
6	N121-510001-000	拉线挂销 Fix pin, throttle line	1	
7	G0894P1-000010-00	轴用弹性挡圈-A型10 Snap ring	2	
8	30DH-530002	滚轮 Roller	1	
9	G000848-000010-00	垫圈10 Washer 10	1	
10	N163-520001-000	限位螺钉 Bolt	1	
11	G006170-000008-00	螺母M8 Nut M8	2	

图5 油门操纵总成
Fig.5 Throttle control assy

Ⓔ CPC30-AW10 Ⓔ1 CPCD30-AW10 Ⓔ CPC30/35/38-AW13 Ⓔ1 CPCD30/35/38-AW13
 Ⓕ CPC20/25-AW10 Ⓕ1 CPCD20/25-AW10 Ⓕ CPC20/25-AW13 Ⓕ1 CPCD20/25-AW13
 Ⓔ2 CPC30-AXW10 Ⓔ21 CPCD30-AXW10

序号 Item	物料码 Part NO.	名称 Description	数量 Qty	备注或适用车型 Remarks or Serial NO.
12	3DEW4-530003	回位弹簧 Spring	1	
13	A300-521000-000	摇杆总成 Rocker rod assy	1	
14	A300-523000-000	支架体 Bracket	1	
15	G000091-3P2016-00	销3.2×16 Pin 3.2×16	1	
16	40DH-530002	摆臂 Rocker arm	1	
17	G005783-008040-00	螺栓M8×40 Bolt M8×40	2	
18	G000093-000008-00	垫圈 8 Washer 8	2	
19	G006170-000005-00	螺母M5 Nut M5	1	
20	G005783-008080-00	螺栓M8×65 Bolt M8×65	1	
21	30DHBW13-531000	油门拉线 Throttle 1ine	1	Ⓔ Ⓔ1 Ⓕ Ⓕ1
21	A307-511000-000	油门拉线 Throttle 1ine	1	Ⓔ Ⓔ2 Ⓔ1 Ⓔ3 Ⓕ Ⓕ1
22	G000093-000005-00	垫圈5 Washer 5	1	
23	G000896-000004-00	挡圈4 Snap ring 4	1	
24	PKD-170-G00	捆线带 Bundle cable ties	2	Ⓔ Ⓔ2 Ⓔ1 Ⓔ3 Ⓕ Ⓕ1

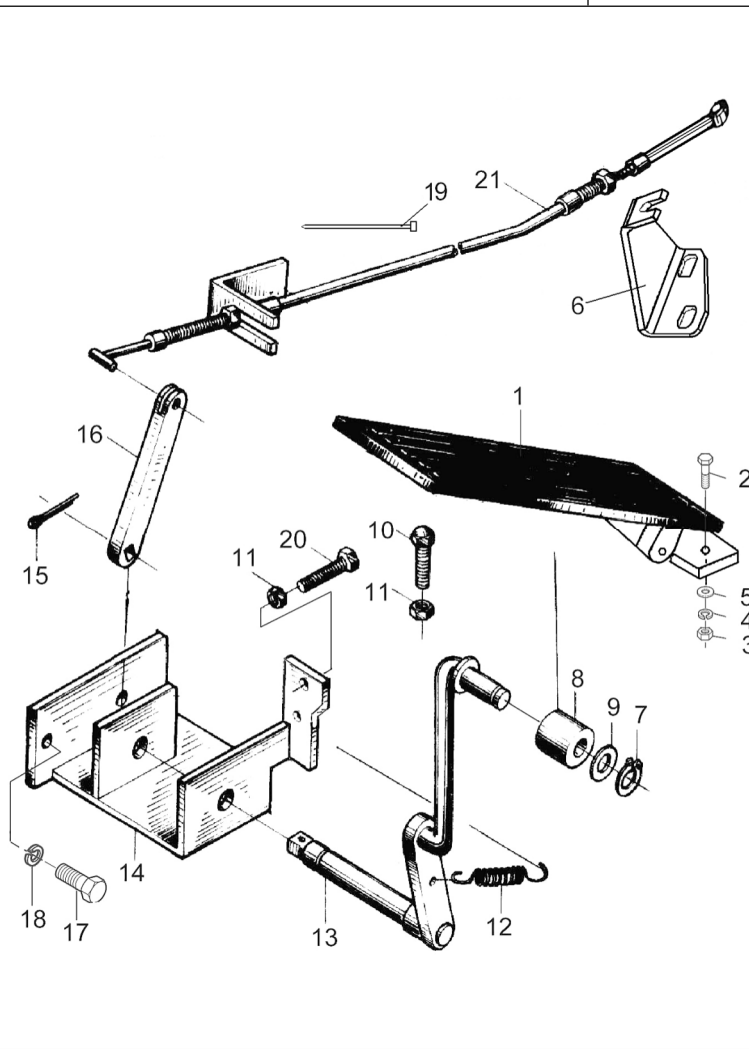
图6 油门操纵总成
Fig.6 Throttle control assy

Ⓚ CPQ30/35/38-AW7 Ⓚ1 CPQD30/35/38-AW7 Ⓚ L CPQ20/25-AW7 Ⓚ1 L CPQD20/25-AW7

序号 Item	物料码 Part NO.	名称 Description	数量 Qty	备注或适用车型 Remarks or Serial NO.
1	A300-522000-000	油门踏板 Gas pedal	1	
2	G005783-006020-00	螺栓M6×20 Bolt M6×20	3	
3	G006170-000006-01	螺母M6 Nut M6	3	
4	G000093-000006-00	垫圈6 Washer 6	3	
5	G0097P1-000006-00	垫圈6 Washer 6	3	
6	R966-510001-000	油门拉线支架 Bracket	1	
7	G0894P1-000010-00	轴用弹性挡圈-A型10 Snap ring	2	
8	30DH-530002	滚轮 Roller	1	
9	G000848-000010-00	垫圈10 Washer 10	1	
10	N163-520001-000	限位螺钉 Bolt	1	
11	G006170-000008-00	螺母M8 Nut M8	2	
12	3DEW4-530003	回位弹簧 Spring	1	
13	A300-521000-000	摇杆总成 Rocker rod assy	1	
14	A300-523000-000	支架体 Bracket	1	
15	G000091-3P2016-00	销3.2×16 Pin3.2×16	1	

图6 油门操纵总成
Fig.6 Throttle control assy

Ⓚ CPQ30/35/38-AW7 Ⓚ1 CPQD30/35/38-AW7 Ⓚ CPQ20/25-AW7 Ⓚ1 CPQD20/25-AW7



序号 Item	物料码 Part NO.	名称 Description	数量 Qty	备注或适用车型 Remarks or Serial NO.
16	40DH-530002	摆臂 Rocker arm	1	
17	G005783-008040-00	螺栓M8×40 Bolt M8×40	2	
18	G000093-000008-00	垫圈8 Washer 8	2	
19	PKD-170-G00	捆线带 Wire	2	
20	G005783-008065-00	螺栓M8×65 Bolt M8×65	1	
21	A306-521000-000	油门拉线 Throttle line	1	

图7 油门操纵总成
Fig.7 Throttle control assy

- | | | | |
|--------------------|---------------------|--------------------|-------------------|
| ⓐ CPC30/35/38-AG51 | ⓑ CPCD30/35/38-AG51 | Ⓐ CPC20/25-AG51 | Ⓟ CPCD20/25-AG51 |
| ⓑ CPC30/35/38-AG52 | ⓓ CPCD30/35/38-AG52 | Ⓑ CPC20/25-AG52 | Ⓡ CPCD20/25-AG52 |
| ⓐ CPC30/35-AXG51 | ⓓ CPCD30/35-AXG51 | ⓐ CPC30/35-AXG52 | Ⓢ CPCD30/35-AXG52 |
| ⓐ CPC30/35-AG51-Z | Ⓢ CPC30/35-AG51G-Z | ⓐ CPC30/35-AG52G-Z | |

序号 Item	物料码 Part NO.	名称 Description	数量 Qty	备注或适用车型 Remarks or Serial NO.
A1	A302-510000-000	油门操纵总成 Throttle control assy	1	
A2	AGZ309-520000-000	油门操纵总成 Throttle control assy		Ⓢ Ⓣ
1	A300-522000-000	油门踏板 Gas pedal	1	
2	G005783-006020-00	螺栓M6×20 Bolt M6×20	3	
3	G006170-000006-01	螺母M6 Nut M6	3	
4	G000093-000006-00	垫圈6 Washer 6	3	
5	G0097P1-000006-00	垫圈6 Washer 6	4	
6	N121-510001-000	拉线挂销 Fix pin, throttle line	1	
7	G0894P1-000010-00	轴用弹性挡圈-A型10 Snap ring	2	
8	30DH-530002	滚轮 Roller	1	
9	G000848-000010-00	垫圈10 Washer 10	1	
10	N163-520001-000	限位螺钉 Bolt	1	
11	G006170-000008-00	螺母M8 Nut M8	2	
12	3DEW4-530003	回位弹簧 Spring	1	
13	A300-521000-000	摇杆总成 Rocker rod assy	1	

图7 油门操纵总成
Fig.7 Throttle control assy

- | | | | |
|--------------------|---------------------|--------------------|-------------------|
| Ⓞ CPC30/35/38-AG51 | Ⓞ CPCD30/35/38-AG51 | Ⓞ CPC20/25-AG51 | Ⓞ CPCD20/25-AG51 |
| Ⓞ CPC30/35/38-AG52 | Ⓞ CPCD30/35/38-AG52 | Ⓞ CPC20/25-AG52 | Ⓞ CPCD20/25-AG52 |
| Ⓞ CPC30/35-AXG51 | Ⓞ CPCD30/35-AXG51 | Ⓞ CPC30/35-AXG52 | Ⓞ CPCD30/35-AXG52 |
| Ⓞ CPC30/35-AG51-Z | Ⓞ CPC30/35-AG51G-Z | Ⓞ CPC30/35-AG52G-Z | |

序号 Item	物料码 Part NO.	名称 Description	数量 Qty	备注或适用车型 Remarks or Serial NO.
14	A300-523000-000	支架体 Bracket	1	
15	G000091-3P2016-00	销3.2×16 Pin3.2×16	1	
16	40DH-530002	摆臂 Rocker arm	1	
17	G005783-008040-00	螺栓M8×40 Bolt M8×40	2	
18	G000093-000008-00	垫圈8 Washer 8	2	
19	G0097P1-000008-00	垫圈8 Washer 8	2	
20	G005783-008065-00	螺栓M8×65 Bolt M8×65	1	
21	30DHBW13-531000	油门拉线 Throttle 1line	1	
21	A450-522000-000	油门拉线 Throttle 1line	1	Ⓞ Ⓞ
22	G000093-000005-00	垫圈5 Washer 5	1	
23	G006170-000005-00	螺母M5 Nut M5	1	
24	G0097P1-000005-00	垫圈5 Washer 5	1	
25	G000896-000004-00	挡圈4 Snap ring 4	1	
26	PKD-170-G00	捆线带 Wire	2	

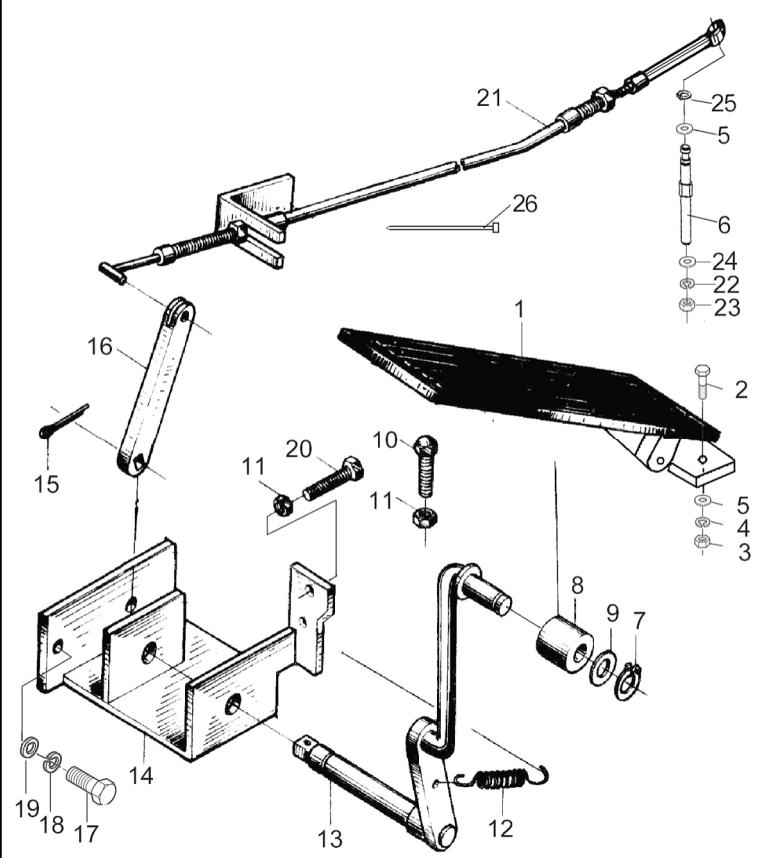
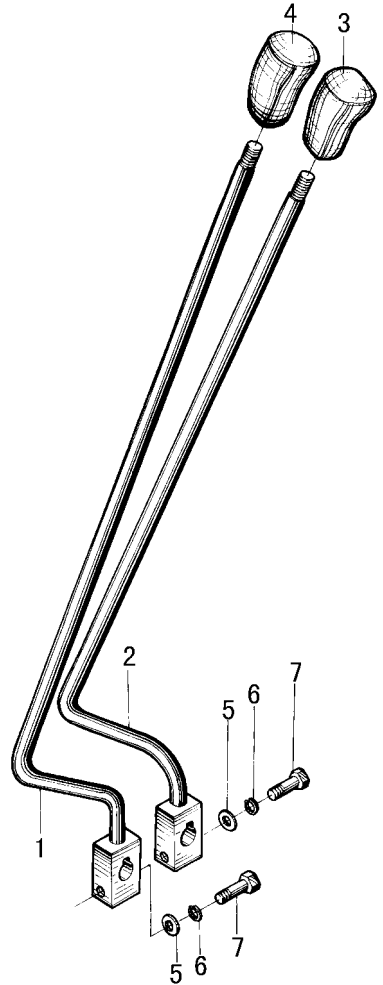


图 8 换挡操纵总成
Fig.8 Change over control assy

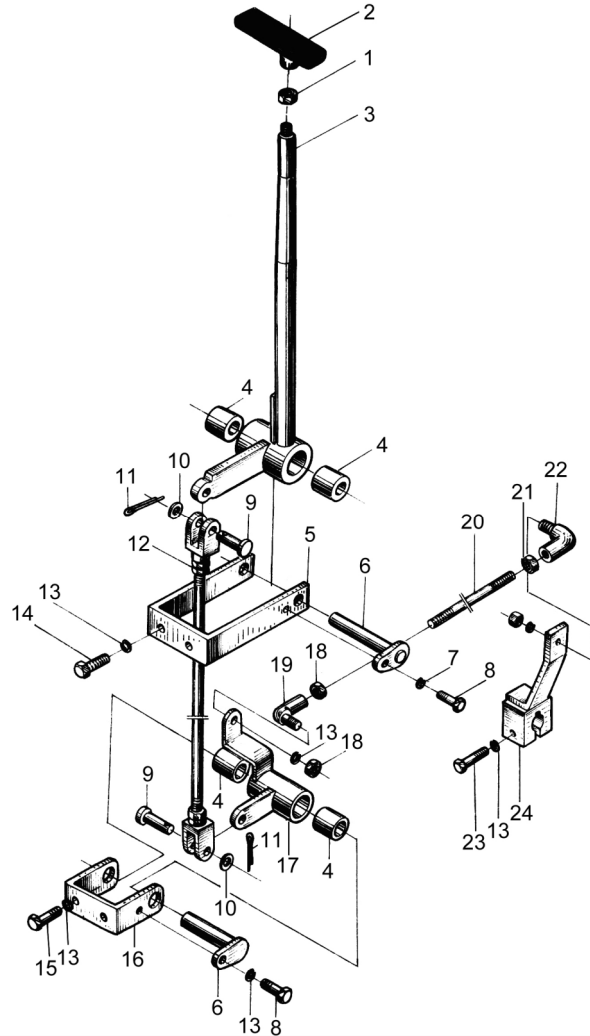
Ⓐ Ⓐ² Ⓑ Ⓒ Ⓒ² Ⓓ Ⓔ Ⓔ² Ⓕ Ⓖ Ⓕ Ⓖ Ⓗ Ⓘ Ⓙ Ⓚ Ⓛ Ⓛ² Ⓜ Ⓝ Ⓟ Ⓠ Ⓡ Ⓡ² Ⓢ Ⓢ² Ⓣ Ⓤ Ⓥ Ⓦ Ⓧ Ⓨ Ⓩ
 Ⓤ² ① Ⓝ² Ⓤ⁶ Ⓠ³ ④ CPC,CPQ
 机械车 Mechanical truck



序号 Item	物料码 Part NO.	名称 Description	数量 Qty	备注或适用车型 Remarks or Serial NO.
A1	A300-540000-000	换挡操纵总成 Change over control assy	1	
1	A300-540200-000	换挡手柄 Lever,speed change	1	
2	A300-540100-000	换向手柄 Lever,direction change	1	
3	N150-530001-000	换向手把 Knob,direction change	1	
4	N150-530002-000	换挡手把 Knob,speed change	1	
5	G000848-000008-00	垫圈8 Washer 8	2	
6	G000093-000008-00	垫圈 8 Washer 8	2	
7	G005782-008035-00	螺栓 M8×35 Bolt M8×35	2	

图9 换挡操纵总成
Fig.9 Change over control assy

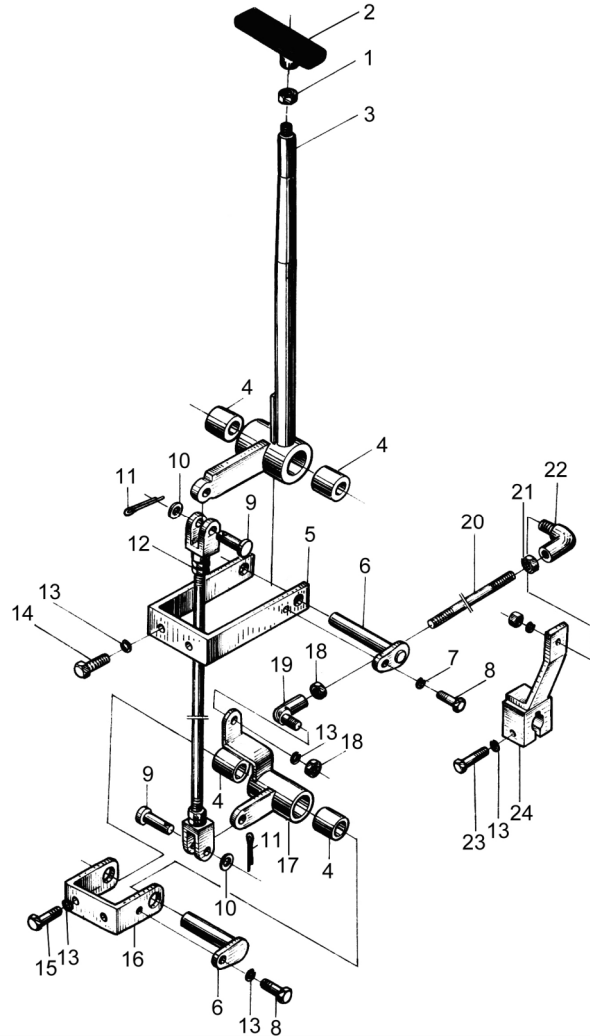
(A1) (B1) (C1) (C3) (D1) (E1) (E3) (F1) (G1) (H1) (I1) (J1) (K1) (L1) (M1) (N1) (O1) (P1) (Q1) (R1) (Q3) (S1) (T1) (U1) (V1) (W1) (X1) (Y1)
(Z1) (U3) (5) (6) (7) (8) 液力车 Hydrodynamic truck



序号 Item	物料码 Part NO.	名称 Description	数量 Qty	备注或适用车型 Remarks or Serial NO.
A1	A310-520000-000	换挡操纵总成 Change over control assy	1	
1	G006170-000010-00	螺母M10 Nut M10	1	
2	30DHW15-520001	手把 Handle	1	
3	A310-521000-000	换挡手柄 Handle	1	
4	3E-610005	轴套 Shaft sleeve	4	
5	A310-524000-000	换挡支架 Bracket	1	
6	30DHW15-522000	销轴 Pin shaft	2	
7	G000093-000006-00	垫圈 6 Washer 6	2	
8	G005783-006016-00	螺栓M6×16 Bolt M6×16	2	
9	G000882-006022-00	销轴 6×22 Pin shaft 6×22	2	
10	G0097P1-000006-00	垫圈 6 Washer 6	2	
11	G000091-1P6012-00	销1.6×12 Pin 1.6×12	2	
12	30DHB-521000	拉杆 Pull rod	1	
13	G000093-000008-00	垫圈 8 Washer 8	7	
14	G005783-008020-00	螺栓M8×20 Bolt M8×20	2	

图9 换档操纵总成
Fig.9 Change over control assy

(A1) (B1) (C1) (C3) (D1) (E1) (E3) (F1) (G1) (H1) (I1) (J1) (K1) (L1) (M1) (N1) (O1) (P1) (Q1) (R1) (Q3) (Q3) (S1) (T1) (U1) (V1) (W1) (X1) (Y1)
(Z1) (U3) (5) (6) 液力车 Hydrodynamic truck



序号 Item	物料码 Part NO.	名称 Description	数量 Qty	备注或适用车型 Remarks or Serial NO.
15	G005783-008030-00	螺栓M8×30 Bolt M8×30	2	
16	30DHB-522000	换档支架 Bracket	1	
17	A310-522000-000	摇臂 Rocker arm	1	
18	G006172-000008-00	螺母M8 Nut M8	3	
19	J005306-000008-01	轴承SQL8C-RS Bearing	1	
20	A310-520001-000	连杆 Connecting rod	1	
21	25DE-64-7	螺母M8-左 Nut	1	
22	J005306-000008-00	关节轴承SQ8C-RS Bearing	1	
23	G005782-008040-00	螺栓M8×40 Bolt M8×40	1	
24	A310-523000-000	摆臂 Rocker arm	1	
25	G0097P1-000008-00	垫圈 8 Washer 8	2	

图 10 手制动操纵总成
Fig.10 Hand brake control assy

除外/Except (A3) (B3)

序号 Item	物料码 Part NO.	名称 Description	数量 Qty	备注或适用车型 Remarks or Serial NO.
1	NC9321-532000-000	驻车制动器 Device assy parking brake control	1	
1	NC9321-531000-000		1	CE, 压钮 Button
2	G005783-010020-00	螺栓M10×20 Bolt M10×20	2	
3	G000093-000010-00	垫圈 10 Washer 10	2	
4	H510-500001-000	管夹 Clip	2	
5	G005783-008016-00	螺栓M8×16 Bolt M8×16	2	(05) (U4) (2) (Y3) (Q6)
6	G000093-000008-00	垫圈 8 Washer 8	2	(05) (U4) (2) (Y3) (Q6)

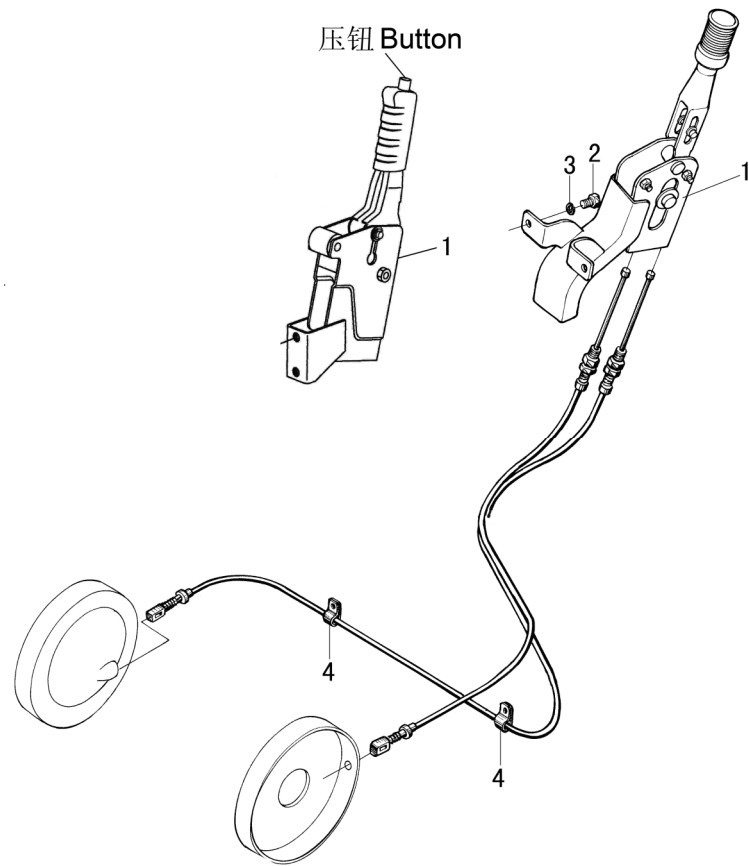
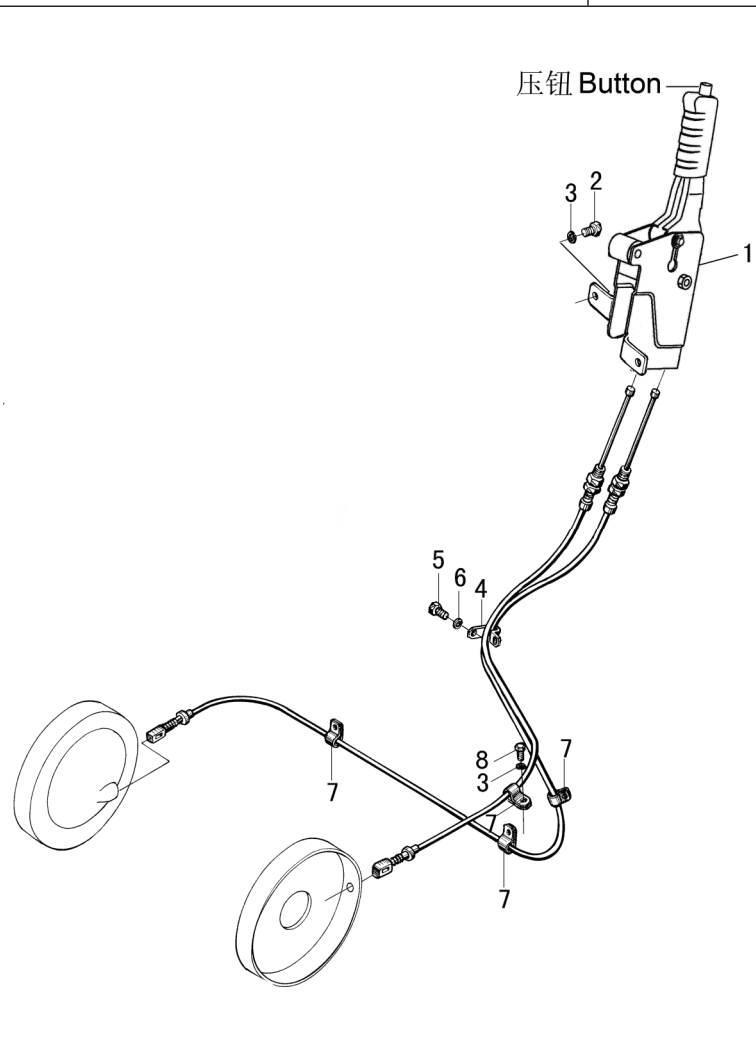


图 11 手制动操纵总成
Fig.11 Hand brake control assy

Ⓐ CPCD30/35/38-AG2E Ⓑ CPCD20/25-AG2E



序号 Item	代号 Part No.	名称 Description	数量 Qty	备注或适用车型 Remarks Or Serial No.
1	NC9321-531000-000	驻车制动器Device assy-parking brake control	1	按钮 Button
2	G005783-010020-00	螺栓M10×20 Bolt M10×20	2	
3	G000093-000010-00	垫圈 10 Washer 10	6	
4	N163-540001-000	管夹 Clip	1	
5	G005783-008016-00	螺栓 M8×16 Bolt M8×16	1	
6	G000093-000008-00	垫圈 8 Washer 8	1	
7	N163-540002-000	管夹 Clip	4	
8	G005783-010016-00	螺栓M10×16 Bolt M10×16	4	

图 12 制动微动踏板总成

Fig. 12 Brake and inch pedal assy

Ⓐ CPCD30/35/38-AG2E Ⓑ CPCD20/25-AG2E

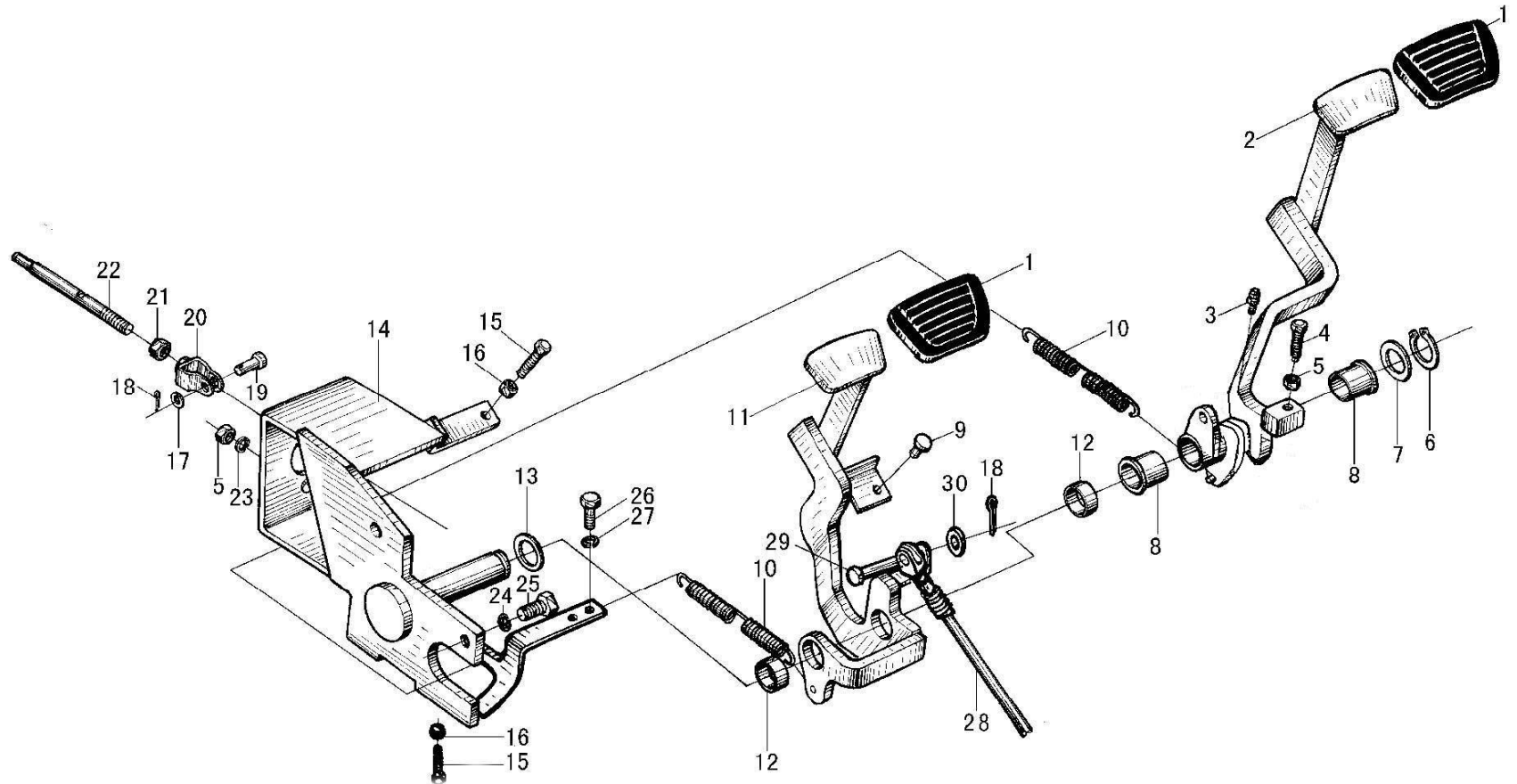
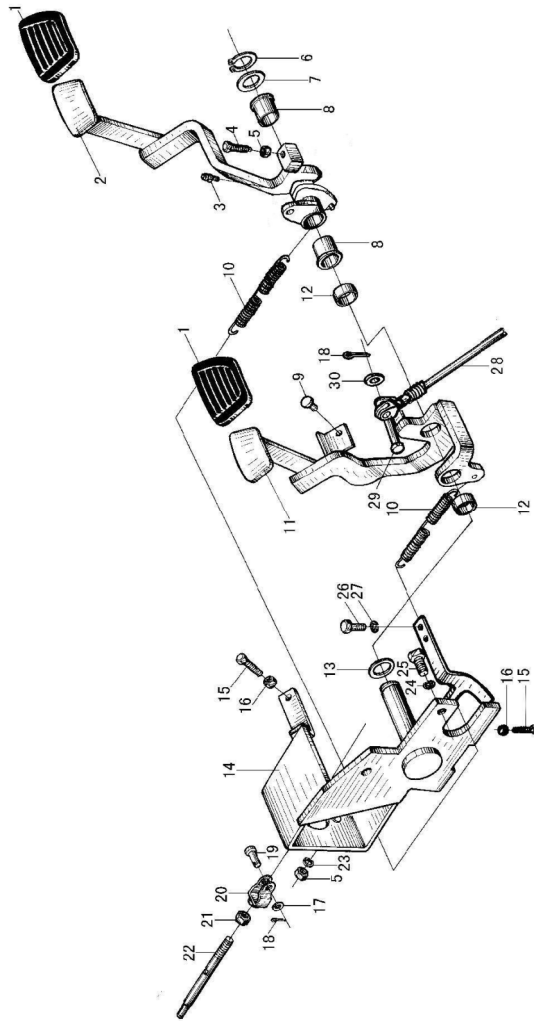


图 12 制动微动踏板总成
Fig. 12 Brake and inch pedal assy

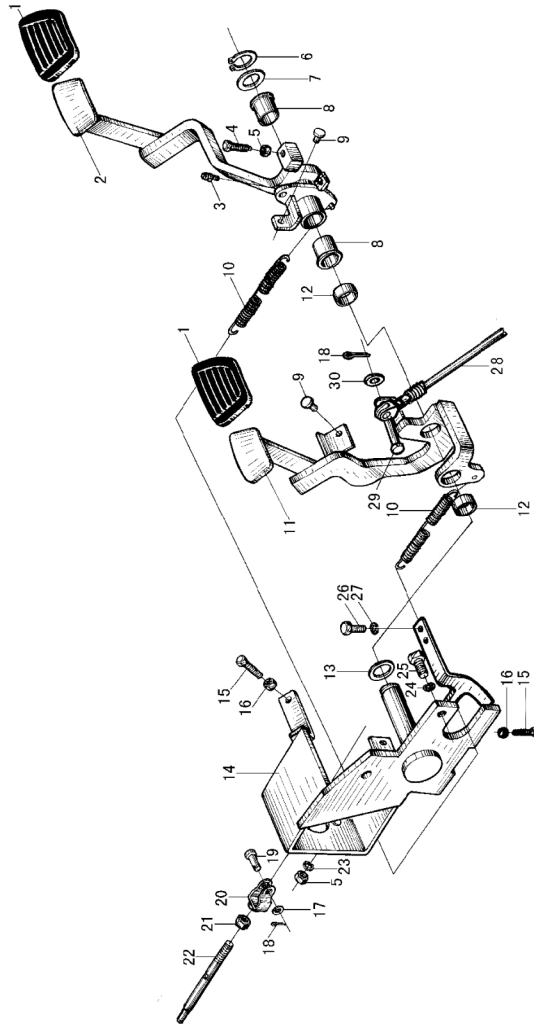
Ⓐ CPCD30/35/38-AG2E Ⓑ CPCD20/25-AG2E



序号 Item	物料码 Part No.	名称 Description	数量 Qty	备注或适用车型 Remarks or Serial No.
A	AE310-510000-000	制动微动踏板总成 inch pedal assy	1	包含/INC: 1-32
1	N163-512001-000	踏板垫 Pedal pad	2	
2	AE310-513100-000	制动踏板 Brake pedal	1	
3	G001152-006000-00	油杯M6 Oil grease	1	
4	G005783-010040-00	螺栓M10×40 BoltM10×40	1	
5	G006170-000010-00	螺母 M10 Nut M10	3	
6	G0894P1-000028-00	挡圈 28 Snap ring	1	
7	N163-510004-000	垫片 Shim	1	
8	N163-514001-000	套 Bushing	2	
9	N163-512002-000	止推圈 Thrust ring	1	
10	N163-510003-000	弹簧 Spring	2	
11	AE310-512100-000	微动踏板 Inching pedal	1	
12	N163-512003-000	套 Bushing	2	
13	N163-510001-000	垫片 Shim	1	
14	AE310-511000-000	底座 Seat	1	

图 12 制动微动踏板总成
Fig. 12 Brake and inch pedal assy

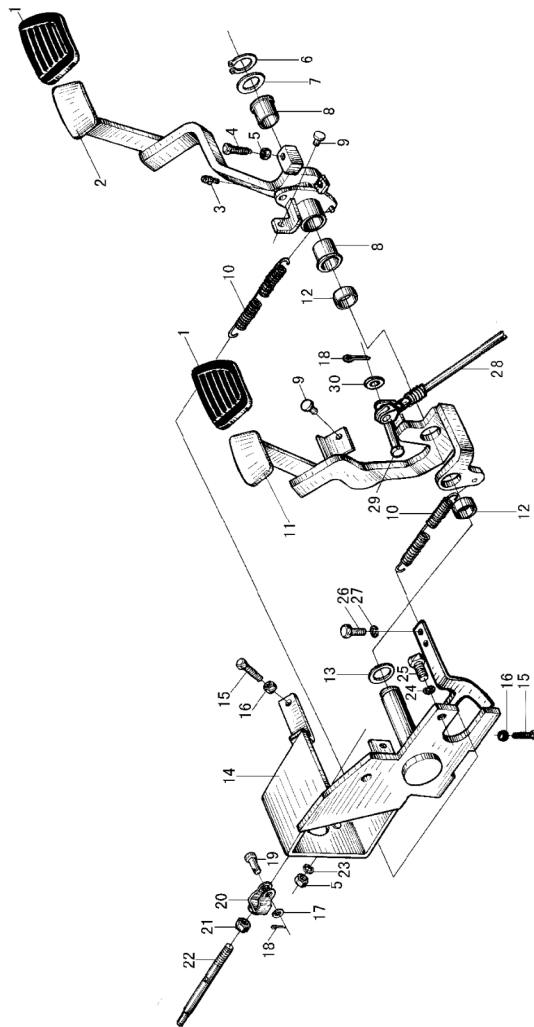
Ⓐ CPCD30/35/38-AG2E Ⓑ CPCD20/25-AG2E



序号 Item	物料码 Part No.	名称 Description	数量 Qty	备注或适用车型 Remarks or Serial No.
15	G005783-008030-00	螺栓M8×30 Bolt M8×30	2	
16	G006170-000008-00	螺母M8 Nut M8	2	
A2	N163-513000-000	推杆总成 Thrust rod assy	1	包含 INC:17-22
17	G000848-000008-00	垫圈 8 Washer 8	1	
18	N163-513002-000	锁销 1.6B The locking pin 1.6B	3	
19	G000882-008024-00	销轴 B8×24 Pin shaft B8×24	1	
20	N163-513100-000	推耳 Push bracket	1	
21	G006170-000010-00	螺母M10 Nut 10	1	
22	N163-513001-000	推杆 Thrust rod	1	
23	G000093-000010-00	垫圈 10 Washer	2	
24	G000093-000012-00	垫圈 12 Washer	2	
25	G005786-012025-00	螺栓 M12×1.25×25 Bolt M12×1.25×25	2	
26	G005783-006012-00	螺栓 M6×12 Bolt M6×12	2	
27	G000093-000006-00	垫圈 6 Washer 6	2	
28	R561-512000-000	微动软轴 Inching shaft	1	

图 12 制动微动踏板总成
Fig. 12 Brake and inch pedal assy

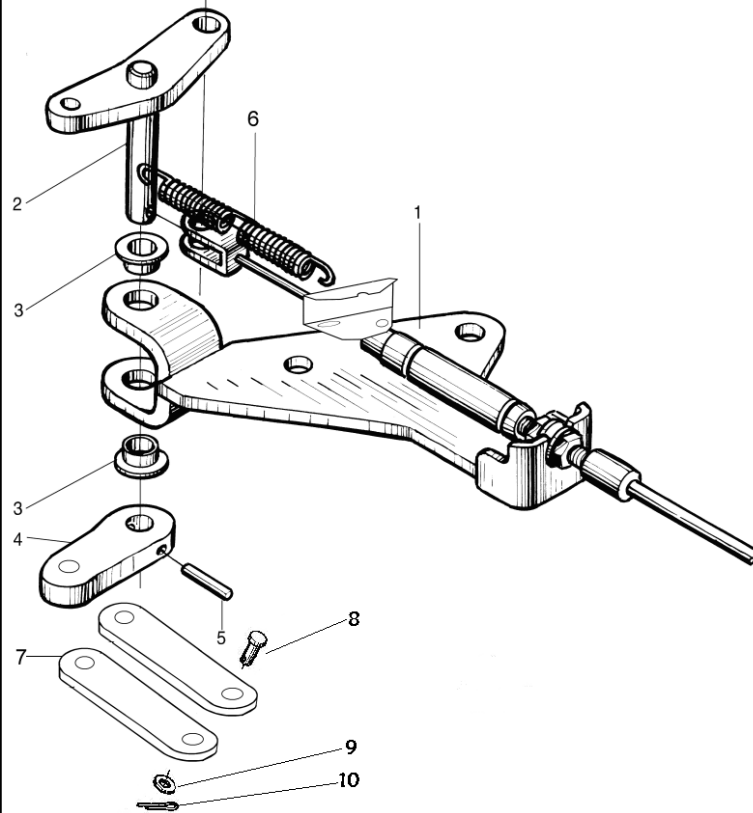
Ⓐ CPCD30/35/38-AG2E Ⓑ CPCD20/25-AG2E



序号 Item	物料码 Part No.	名称 Description	数量 Qty	备注或适用车型 Remarks or Serial No.
29	G000882-008018-01	销轴 B8×18 Pin B8×18	2	
30	G0097P1-000008-00	垫圈 8 Washer 8	2	
31		微动推杆支架 Inching Budge push-rod stents	1	见图 4 序号 A See Fig.5 Item A
32		制动总泵总成 Brake pump assy	1	见图 5 序号 1 See Fig.6 Item 1

图 13 微动推杆支架
Fig. 13 Inching Budge push-rod stents

Ⓐ CPCD30/35/38-AG2E Ⓑ CPCD20/25-AG2E



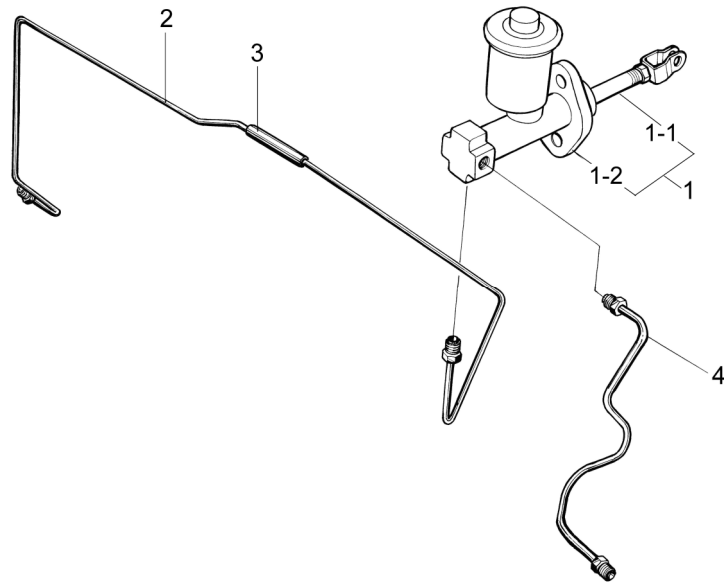
序号 Item	物料码 Part No.	名称 Description	数量 Qty	备注或适用车型 Remarks or Serial No.
A	AE310-514000-000	微动推杆支架 Inching Budge push-rod stents	1	INC:1-5
1	AE310-514100-000	固定支架 Fixed bracket	1	
2	R561-513200-000	上板 Upper plate	1	
3	R561-513000-G00	复合衬套 0806 Composite bushing	2	
4	AE310-514001-000	下板 Plate	1	
5	GT879P1-003020-00	销3×20 Pin 3×20	1	
6	N163-510003-000	弹簧 Spring	1	
7	AE310-510001-000	连接片 Connecting sheet	2	
8	G000882-006022-01	销轴B6×22 Pin shaft B6×22	2	
9	G0097P1-000006-00	垫圈6 Washer 6	2	
10	N163-513002-000	锁销 1.6B The locking pin 1.6B	2	

图14 制动总泵总成
Fig.14 Brake pump assy

Ⓐ CPCD30/35/38-AG2E Ⓑ CPCD20/25-AG2E

Ⓒ CPC30/35-AG51G-Z
Ⓓ CPC30/35-AG52G-Z

Ⓔ CPC30/35-AG65JG-Z
Ⓕ CPC30/35-AG69G-Z
Ⓖ CPC30/35-AG70JG-Z



序号 Item	物料码 Part No.	名称 Description	数量 Qty	备注或适用车型 Remarks or Serial No.
1	N160-518000-000	制动总泵总成 Brake pump assy	1	Ⓐ Ⓑ Ⓒ Ⓓ Ⓔ Ⓕ Ⓖ
1-1	N163-513000-000	推杆总成 Thrust rod assy	1	
1-2	30DHW15-515000	制动总泵 Brake pump	1	
A1	AE310-520200-000	右制动油管 Right brake pipe	1	包含/INC:2-3
2	AE310-520201-W00	右制动油管 Right brake pipe	1	
3	N163-550201-000	管套 Bushing	3	
4	AE310-520100-000	左制动油管 Left brake pipe	1	

图 15 制动离合踏板总成
 Fig. 15 Brake clutch pedal assy

Ⓚ CPC30/35-AG65JG-Z
 Ⓚ CPC30/35-AG51G-Z
 ② CPC30/35-AG69G-Z
 Ⓚ CPC30/35-AG70JG-Z
Ⓚ CPC30/35-AG52G-Z

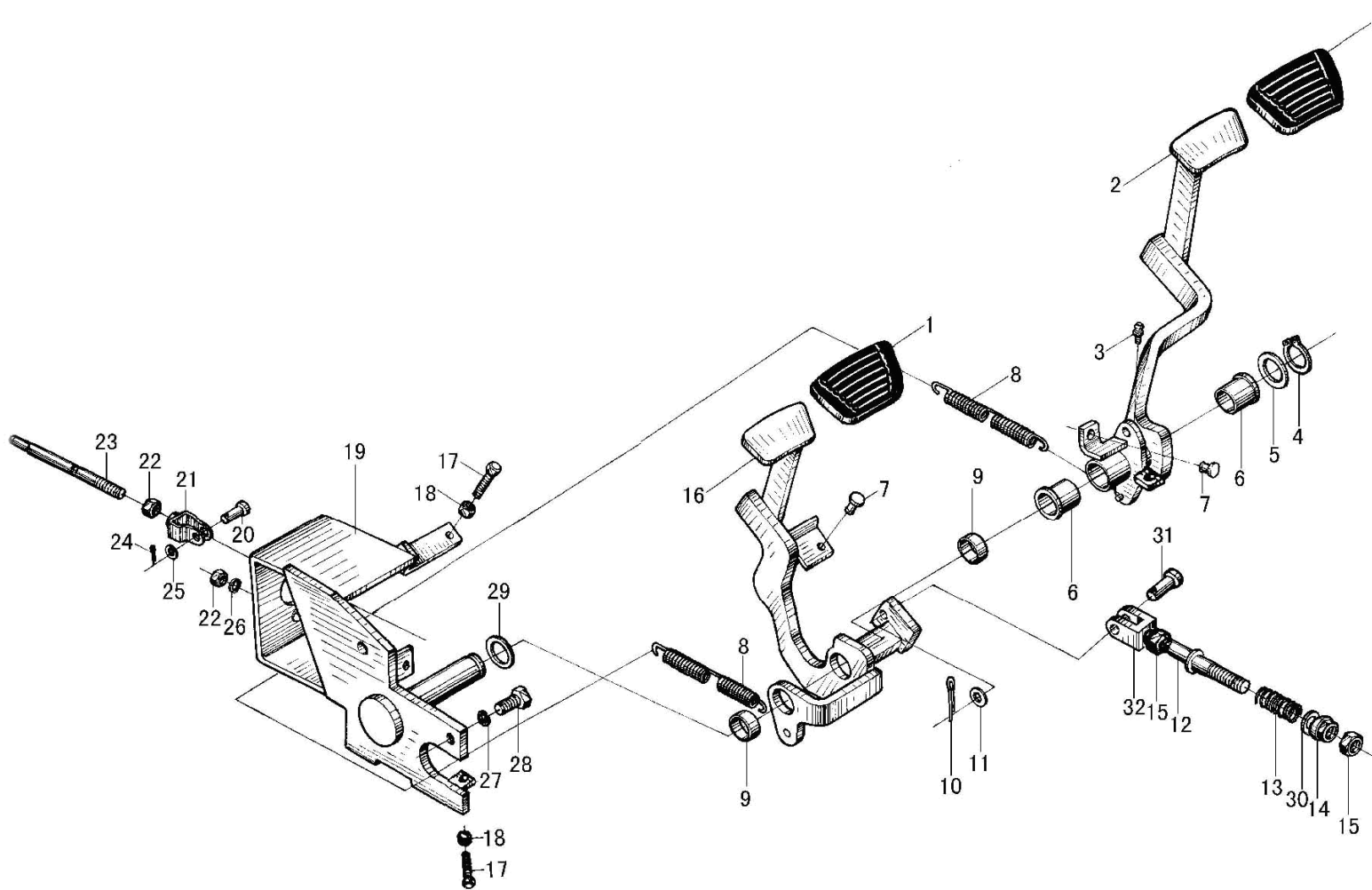
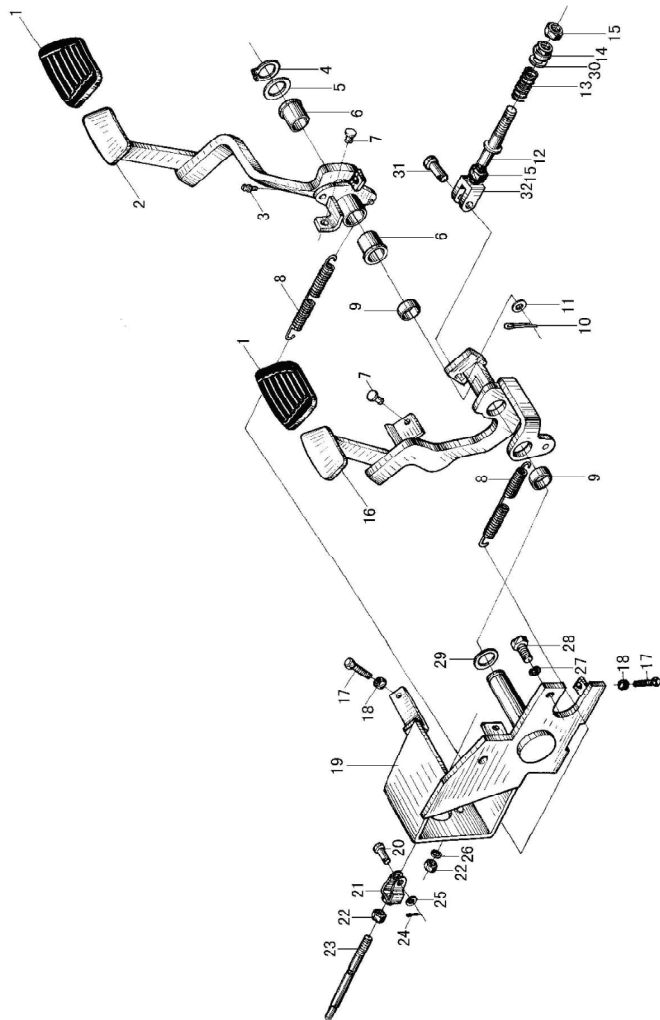


图 15 制动离合踏板总成
Fig. 15 Brake clutch pedal assy

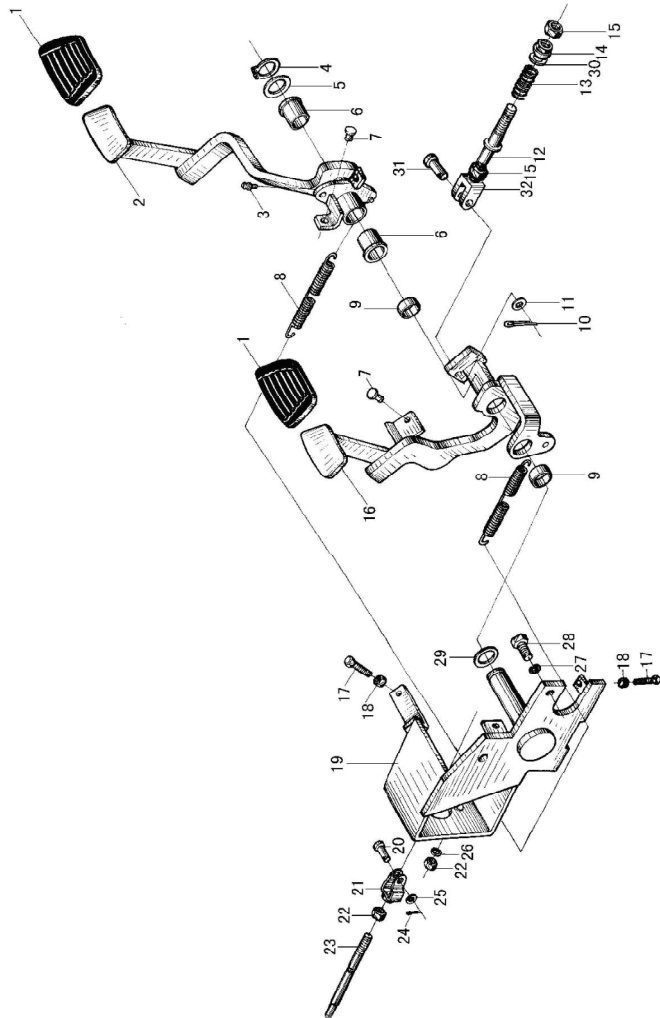
④ CPC30/35-AG65JG-Z ⑨ CPC30/35-AG51G-Z ② CPC30/35-AG69G-Z ③ CPC30/35-AG70JG-Z
⑥ CPC30/35-AG52G-Z



序号 Item	物料码 Part No.	名称 Description	数量 Qty	备注或适用车型 Remarks or Serial No.
1	N163-512001-000	踏板垫 Pedal pad	2	
2	AGZ309-512100-000	制动踏板 Brake pedal	1	
3	G001152-006000-00	油杯 M6 Oil grease M6	1	
4	G0894P1-000028-00	垫圈 28 Snap ring 28	1	
5	N163-510004-000	垫片 Shim	1	
6	N163-514001-000	套 Bush	2	
7	N163-512002-000	止推圈 Thrust ring	2	
8	N163-510003-000	弹簧 Spring	2	
9	N163-512003-000	套 Bush	2	
10	R441-500002-000	锁销 1.8B The locking pin 1.8B	1	
11	G0097P1-000010-00	垫圈 10 Washer 10	1	
12	AGZ309-514000-000	拉杆 Pull rod	1	
13	N150-511002-000	压缩弹簧 Spring	1	
14	N150-511001-000	球形螺母 Nut	1	
15	G006171-010001-00	螺母 M10×1 Nut M10×1	2	

图 15 制动离合踏板总成
Fig. 15 Brake clutch pedal assy

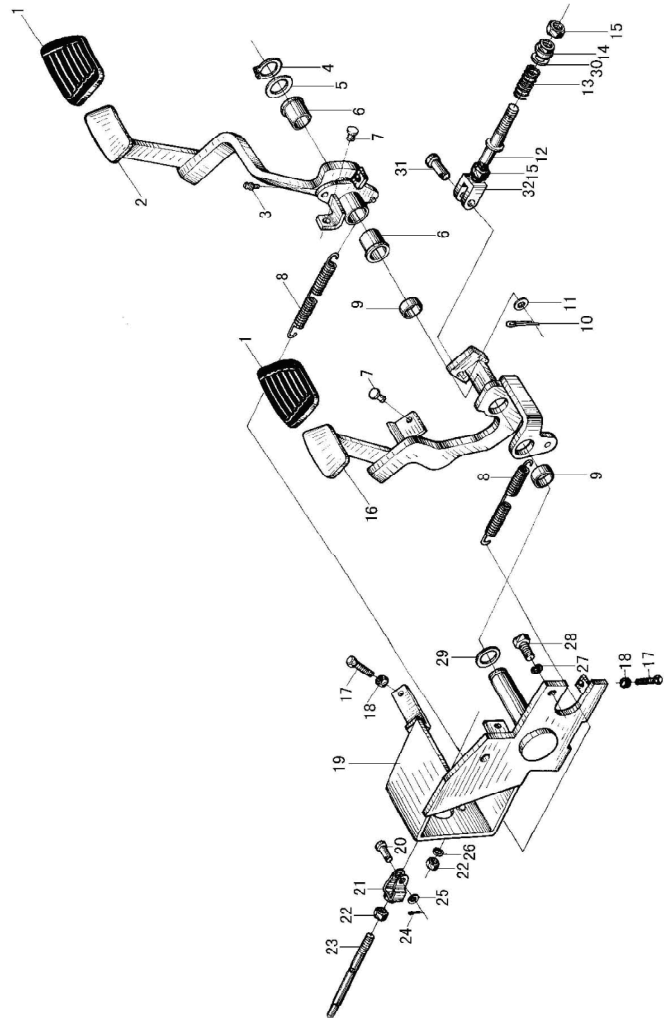
④ CPC30/35-AG65JG-Z ⑨ CPC30/35-AG51G-Z ② CPC30/35-AG69G-Z ③ CPC30/35-AG70JG-Z
⑥ CPC30/35-AG52G-Z



序号 Item	物料码 Part No.	名称 Description	数量 Qty	备注或适用车型 Remarks or Serial No.
16	AGZ309-513100-000	离合踏板 Clutch pedal	1	
17	G005783-008030-00	螺栓M8×30 Bolt M8×30	2	
18	G006170-000008-00	螺母 M8 Nut M8	2	
19	AGZ309-511000-000	底座 Seat	1	
A2	N163-513000-000	推杆总成 Thrust rod assy	1	包含 INC:20-25
20	G000882-008024-01	销轴B8×24 Pin shaft B8×24	1	
21	N163-513100-000	推耳 Push bracket	1	
22	G006170-000010-00	螺母 M10 Nut M10	3	
23	N163-513001-000	推杆 Thrust rod	1	
24	N163-513002-000	锁销 1.6B The locking pin 1.6B	1	
25	G000848-000008-00	垫圈8 Washer 8	1	
26	G000093-000010-00	垫圈10 Washer 10	2	
27	G000093-000012-00	垫圈12 Washer 12	2	
28	G005786-012025-00	螺栓M12×1.25×25 Bolt M12×1.25×25	2	
29	N163-510001-000	垫片 Shim	1	

图 15 制动离合踏板总成
Fig. 15 Brake clutch pedal assy

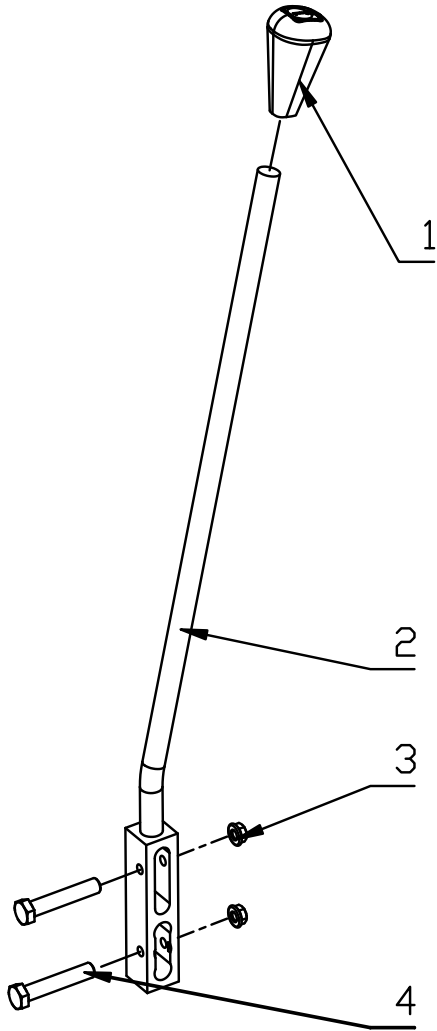
Ⓧ CPC30/35-AG65JG-Z
 Ⓣ CPC30/35-AG51G-Z
 ② CPC30/35-AG69G-Z
 Ⓝ CPC30/35-AG70JG-Z
Ⓠ CPC30/35-AG52G-Z



序号 Item	物料码 Part No.	名称 Description	数量 Qty	备注或适用车型 Remarks or Serial No.
30	G000095-000010-00	垫圈10 Washer 10	1	
31	G000882-010032-01	销轴 B10×32 Pin shaft B10×32	1	
32	N150-510001-000	叉头 Fork	1	
33		制动总泵总成 Brake pump assy	1	见图 14 See Fig.14

图 16 换挡操纵总成
Fig.16 Change over control assy

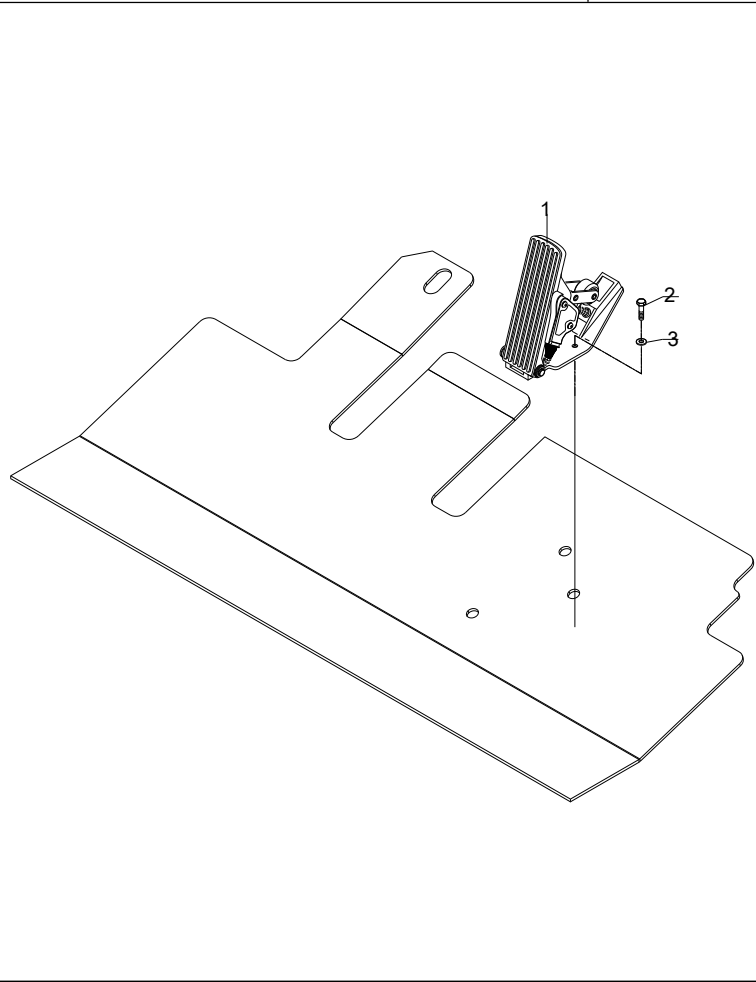
④ CPC30/35-AG65JG-Z ⑨ CPC30/35-AG51G-Z ② CPC30/35-AG69G-Z ③ CPC30/35-AG70JG-Z
 ⑥ CPC30/35-AG52G-Z



序号 Item	物料码 Part No.	名称 Description	数量 Qty	备注或适用车型 Remarks or Serial No.
1	AGZ309-542000-000	换挡手柄球头 Shift handle ball head	1	
2	AGZ309-541000-000	换挡杆 Gearshift	1	
3	G001337-000008-00	螺母 M8 Nut M8	2	
4	G005783-008045-00	螺栓 M8×45 Bolt M8×45	2	

图 17 油门操纵总成
FIG.17 Throttle control assy

- Ⓚ CPC30/35/38-AG65J Ⓚ CPCD30/35/38-AG65J Ⓚ CPC20/25-AG65J Ⓚ CPCD20/25-AG65J
- Ⓜ CPC30/35/38-AG70 Ⓜ CPCD30/35/38-AG70 Ⓧ CPC20/25-AG70 Ⓧ CPCD20/25-AG70
- Ⓨ CPC30/35/38-AG70J Ⓨ CPCD30/35/38-AG70J Ⓩ CPC20/25-AG70J Ⓩ CPCD20/25-AG70J
- Ⓛ2 CPC30/35-AG65J-Z Ⓛ4 CPC30/35-AG65JG-Z Ⓨ2 CPC30/35-AG70J-Z ⓁB CPCD30/35-AXG65J
- Ⓛ6 CPC30/35-AXG65J ① CPC30/35-AG69-Z ② CPC30/35-AG69G-Z Ⓨ3 CPC30/35-AG70JG-Z
- ③ CPC20/25-AG69 ④ CPC30/35/38-AG69 ⑤ CPCD20/25-AG69 ⑥ CPCD30/35/38-AG69



序号 Item	物料码 Part NO.	名称 Description	数量 Qty	备注或适用车型 Remarks Or Serial NO.
1	A3011-700001-000	油门踏板 Accelerator pedal	1	XB455-700002-000
2	G005783-008016-00	螺栓M8×16 Bolt M8×16	3	
3	G000093-000008-00	垫圈 8 Washer 8	3	

第六部分 液压系统目录

Part VI Hydraulic system contents

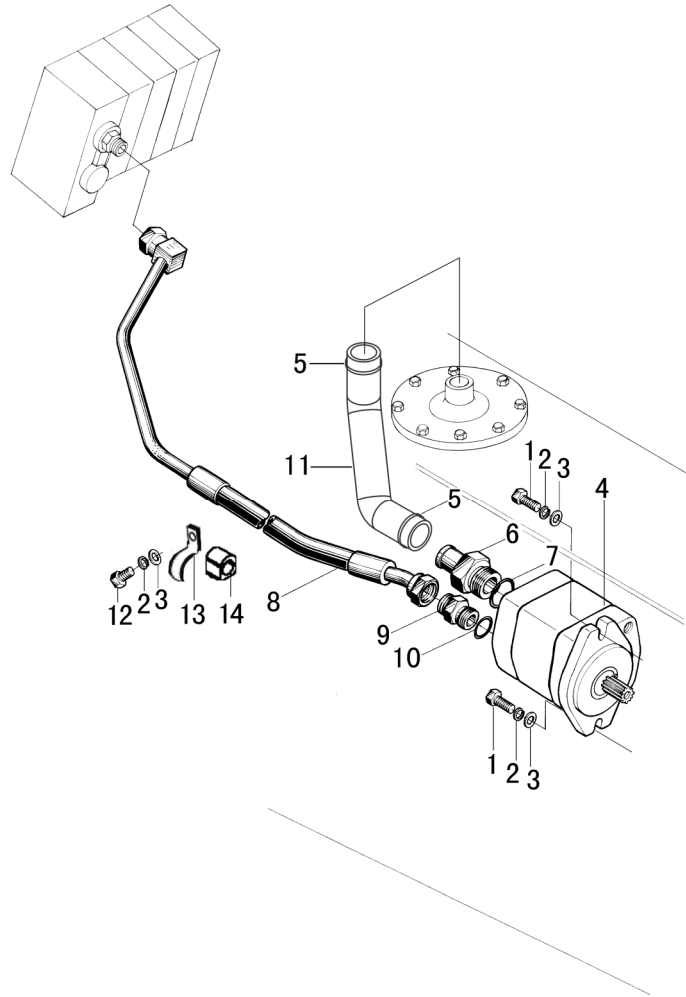
Ⓐ CPC30/35/38-AG2	Ⓐ ¹ CPCD30/35/38-AG2	Ⓐ ² CPC30/35-AG2-Z	Ⓐ ³ CPCD30/35/38-AG2E
Ⓑ CPC20/25-AG2	Ⓑ ¹ CPCD20/25-AG2	⑦ CPCD20/25-AW55	Ⓑ ³ CPCD20/25-AG2E
Ⓒ CPC30/35/38-AG32	Ⓒ ¹ CPCD30/35/38-AG32	Ⓒ ² CPC38-AXG32	Ⓒ ³ CPCD38-AXG32
Ⓓ CPC20/25-AG32	Ⓓ ¹ CPCD20/25-AG32	Ⓕ CPC20/25-AW10	Ⓕ ¹ CPCD20/25-AW10
Ⓔ CPC30-AW10	Ⓔ ¹ CPCD30-AW10	Ⓔ ² CPC30-AXW10	Ⓔ ³ CPCD30-AXW10
Ⓒ ³ CPC30/35/38-AW13	Ⓒ ³ ¹ CPCD30/35/38-AW13	Ⓕ ¹ CPC20/25-AW13	Ⓕ ¹ ¹ CPCD20/25-AW13
Ⓕ ¹ CPC30/35/38-AW27	Ⓕ ¹ ¹ CPCD30/35/38-AW27	Ⓕ ¹ CPC20/25-AW27	Ⓕ ¹ ¹ CPCD20/25-AW27
Ⓖ ¹ CPQ30/35/38-AW7	Ⓖ ¹ ¹ CPQD30/35/38-AW7	Ⓖ ¹ CPQ20/25-AW7	Ⓖ ¹ ¹ CPQD20/25-AW7
Ⓜ ¹ CPCD30/35-AW67	Ⓜ ¹ ¹ CPCD20/25-AW67	Ⓜ ¹ CPC30/35-AG52-Z	Ⓜ ¹ ¹ CPC30/35-AG52G-Z
Ⓞ ¹ CPC30/35/38-AG51	Ⓞ ¹ ¹ CPCD30/35/38-AG51	Ⓞ ¹ ² CPC30/35-AG51-Z	Ⓞ ¹ ³ CPCD30/35-AXG51
Ⓞ ¹ ⁴ CPC30/35-AXG51	Ⓞ ¹ ⁴ CPC30/35-AG51G-Z	Ⓞ ¹ CPC20/25-AG51	Ⓞ ¹ ¹ CPCD20/25-AG51
Ⓞ ¹ CPC30/35/38-AG52	Ⓞ ¹ ¹ CPCD30/35/38-AG52	Ⓞ ¹ ³ CPCD30/35-AXG52	Ⓞ ¹ ⁴ CPC30/35-AXG52
Ⓡ ¹ CPC20/25-AG52	Ⓡ ¹ ¹ CPCD20/25-AG52	① CPC30/35-AG69-Z	② CPC30/35-AG69G-Z
Ⓢ ¹ CPC30/35/38-AG2J	Ⓢ ¹ ¹ CPCD30/35/38-AG2J	Ⓢ ¹ ² CPC30/35-AG2J-Z	Ⓢ ¹ ² CPC30/35-AG70J-Z
Ⓣ ¹ CPC20/25-AG2J	Ⓣ ¹ ¹ CPCD20/25-AG2J	Ⓢ ¹ ³ CPC30/35-AG70JG-Z	⑧ CPCD30/35/38-AW55
Ⓤ ¹ CPC30/35/38-AG65J	Ⓤ ¹ ¹ CPCD30/35/38-AG65J	Ⓤ ¹ ² CPC30/35-AG65J-Z	Ⓤ ¹ ³ CPCD30/35-AXG65J
Ⓤ ¹ ⁴ CPC30/35-AG65JG-Z	Ⓤ ¹ ⁴ CPC30/35-AXG65J	Ⓤ ¹ ⁵ CPC20/25-AG65J	Ⓤ ¹ ⁶ CPCD20/25-AG65J
Ⓦ ¹ CPC30/35/38-AG70	Ⓦ ¹ ¹ CPCD30/35/38-AG70	Ⓦ ¹ CPC20/25-AG70	Ⓦ ¹ ¹ CPCD20/25-AG70
Ⓨ ¹ CPC30/35/38-AG70J	Ⓨ ¹ ¹ CPCD30/35/38-AG70J	Ⓨ ¹ CPC20/25-AG70J	Ⓨ ¹ ¹ CPCD20/25-AG70J
③ CPC20/25-AG69	④ CPC30/35/38-AG69	⑤ CPCD20/25-AG69	⑥ CPCD30/35/38-AG69

序号 Item	名称 Description	适用车型 Serial No.	页码 Page
图 1 Fig.1	油泵总成 Pump assy	除外/Except Ⓚ Ⓚ ¹ Ⓛ Ⓛ ¹ ⑦ ⑧	6-1

序号 Item	名称 Description	适用车型 Serial No.	页码 Page
图 2 Fig.2	油泵总成 Pump assy	Ⓚ Ⓚ1 Ⓛ Ⓛ1	6-4
图 3 Fig.3	转向油路 Steering oil pipe	全部车型 All models of truck	6-6
图 4 Fig.4	回油滤油总成 Strainer assy	全部车型 All models of truck	6-8
图 5 Fig.5	液压油箱附件 Hydraulic oil tank accessory	<2012-11-18 全部车型 All models of truck	6-9
图 5-1 Fig.5-1	液压油箱附件 Hydraulic oil tank accessory	≥2012-11-18 全部车型 All models of truck	6-11
图 6 Fig.6	多路阀操纵 Multi-way valve control	全部车型 All models of truck	6-13
图 7 Fig.7	多路阀总成(标配) Multi-way valve assy (Standard)	全部车型 All models of truck	6-16
图 8 Fig.8	多路阀总成(感知系统) Multi-way valve assy (OPS System)	2t-3.5t, Ⓛ1 Ⓛ11 Ⓛ111 Ⓛ1111	6-18
图 9 Fig.9	倾斜管路 Tilting oil pipe	全部车型 All models of truck	6-20
图 10 Fig.10	油泵总成 Pump assy	⑦ ⑧	6-22

图 1 油泵总成
Fig.1 Pump assy

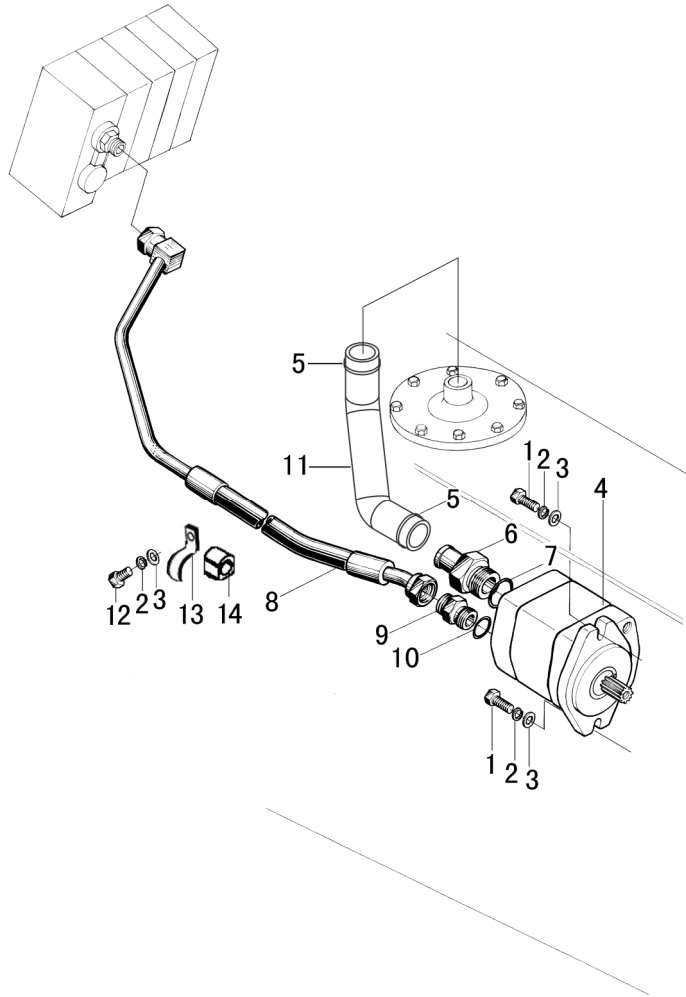
(A) (A1) (A2) (A3) (B) (B1) (B3) (C) (C1) (C2) (C3) (D) (D1) (E) (E2) (E1) (E3) (F) (F1) (G) (G1) (H) (H1) (I) (I1) (J) (J1) (M1) (N1) (O)
 (O1) (P) (P1) (Q) (Q1) (Q2) (R) (R1) (O3) (O4) (Q3) (Q4) (S) (S1) (S2) (T) (T1) (O9) (U) (U1) (V) (V1) (W) (X) (Y) (Z) (W1) (X1) (Y1) (Z1)
 (U2) (U4) (Y2) (U6) (U3) (1) (2) (Y3) (Q5) (Q6) (3) (4) (5) (6)



序号 Item	物料码 Part NO.	名称 Description	数量 Qty	备注或适用车型 Remarks or Serial NO.
1	G005783-010030-00	螺栓 M10×30 Bolt M10×30	2	
2	G000093-000010-00	垫圈 10 Washer 10	2	
3	G0097P1-000010-00	垫圈 10 Washer 10	2	
4	CBHZG-F32-ALH6L-G00	齿轮泵 Gear pump	1	(A) (A1) (A2) (A3) (B) (B1) (B3) (I) (I1) (J) (J1) (M1) (N1) (S) (S1) (S2) (T) (T1)
4	CBHZG-F32-AL Φ-G00	齿轮泵 Gear pump	1	(C) (C1) (C2) (C3)
4	R9317-601100-000	齿轮泵 Gear pump	1	(D) (D1)
4	N121-601300-000	齿轮泵 Gear pump	1	(E) (E2) (E1) (E3) (F) (F1)
4	XF251-601100-G00	齿轮泵 Gear pump	1	(G) (G1) (H) (H1)
4	A309-601100-000	齿轮泵 Gear pump	1	(O) (O1) (O2) (P) (P1) (Q) (Q1) (R) (R1) (O3) (O4) (Q3) (Q4) (O9) (U) (U1) (V) (V1) (W) (X) (Y) (Z) (W1) (X1) (Y1) (Z1) (U6) (U3) (U4) (2) (Y3) (1) (Q5) (3) (4) (5) (6)
5	Q672-44-G00	双钢丝式环箍 44 Clamp 44	2	
6	30DHBW9-600001	管接头 Nipple-assy	1	
7	G001235-003503P5-00	O 形密封圈 35×3.5 O-ring 35×3.5	1	

图1 油泵总成
Fig.1 Pump assy

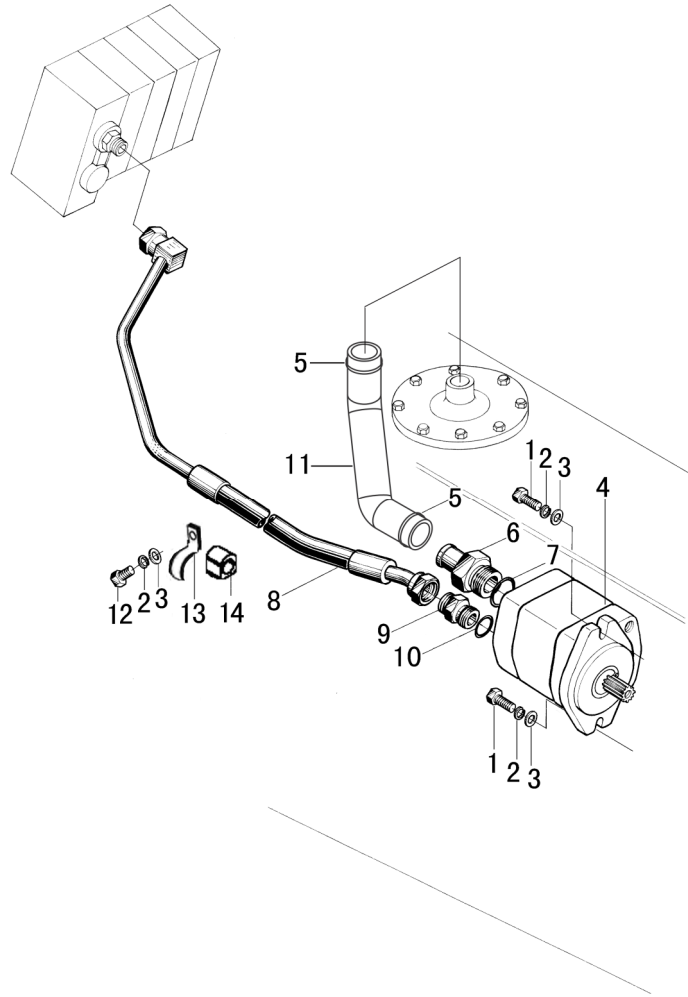
(A) (A1) (A2) (A3) (B) (B1) (B3) (C) (C1) (C2) (C3) (D) (D1) (E) (E2) (E1) (E3) (F) (F1) (G) (G1) (H) (H1) (I) (I1) (J) (J1) (M) (N) (O)
 (O1) (P) (P1) (Q) (Q1) (O2) (R) (R1) (O3) (O4) (Q3) (Q4) (S) (S1) (S2) (T) (T1) (O5) (U) (U1) (V) (V1) (W) (X) (Y) (Z) (W1) (X1) (Y1) (Z1)
 (U2) (U4) (Y2) (U6) (U3) (1) (2) (Y3) (Q5) (Q6) (3) (4) (5) (6)



序号 Item	物料码 Part NO.	名称 Description	数量 Qty	备注或适用车型 Remarks or Serial NO.
8	30DHBW9-601000	胶管总成 Rubber pipe assy	1	其余车型 The remaining models
8	A301-604000-000	胶管总成 Rubber pipe assy	1	(C) (C1) (D) (D1) (C2) (C3)
8	AE301-601000-000	胶管总成 Rubber pipe assy	1	(A3) (B3)
8	AGZ309-604000-000	胶管总成 Rubber pipe assy	1	(O5) (U4) (2) (Y3) (Q6)
9	30DH-600001	直通管接头 Nipple-assy	1	
10	G001235-002402P4-00	O形密封圈 24×2.4 O-ring 24×2.4	1	
11	R960-600001-001	吸油管 Suction hose	1	(A) (A1) (A2) (B) (B1) (I) (I1) (J) (J1) (M) (N) (O) (O1) (O2) (P) (P1) (Q) (Q1) (R) (R1) (O3) (O4) (Q3) (Q4) (S) (S1) (S2) (T) (T1) (U) (U1) (V) (V1) (W) (X) (Y) (Z) (W1) (X1) (Y1) (Z1) (U2) (Y2) (U6) (U3) (1) (Q5) (3) (4) (5) (6)
11	R9617-600001-001	吸油管 Suction hose	1	(C) (C1) (D) (D1) (C2) (C3) G32
11	NC967-600001-000	吸油管 Suction hose	1	(E) (E2) (E1) (E3) (F) (F1) W10
11	R962-600001-001	吸油管 Suction hose	1	(G) (G1) (H) (H1) W13
11	AE310-600001-000	吸油管 Suction hose	1	(A3) (B3)
11	AGZ309-600001-000	吸油管 Suction hose	1	(O5) (U4) (2) (Y3) (Q6)

图1 油泵总成
Fig.1 Pump assy

(A) (A1) (A2) (A3) (B) (B1) (B3) (C) (C1) (C2) (C3) (D) (D1) (E) (E2) (E1) (E3) (F) (F1) (G) (G1) (H) (H1) (I) (I1) (J) (J1) (M) (N) (O)
 (O1) (P) (P1) (Q) (Q1) (O2) (R) (R1) (O3) (O4) (Q3) (Q4) (S) (S1) (S2) (T) (T1) (O5) (U) (U1) (V) (V1) (W) (X) (Y) (Z) (W1) (X1) (Y1) (Z1)
 (U2) (U4) (Y2) (U6) (U3) (1) (2) (Y3) (Q5) (Q6) (3) (4) (5) (6)



序号 Item	物料码 Part NO.	名称 Description	数量 Qty	备注或适用车型 Remarks or Serial NO.
12	G005783-010020-00	螺栓 M10×20 Bolt M10×20	1	(A3) (B3)
13	NC9321-600003-000	管夹 Clamp	1	(A3) (B3)
13	NC9321-600003-000	管夹 Clamp	1	(A3) (B3)
14	NC9321-600002-000	衬套 Bush	1	(A3) (B3)

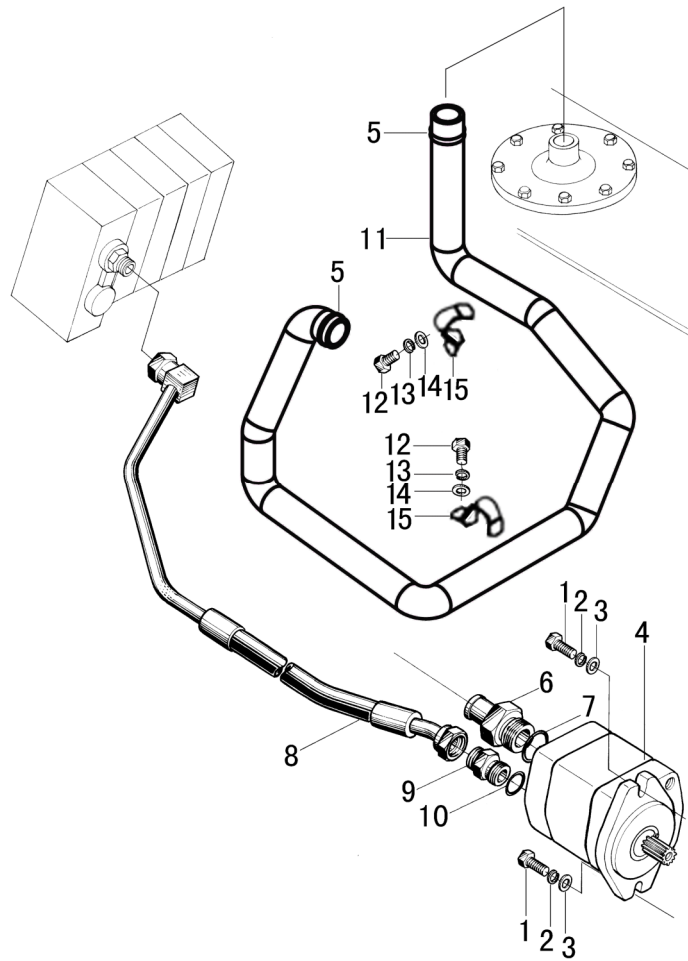
图2 油泵总成
Fig.2 Pump assy

Ⓚ CPQ30/35/38-AW7

Ⓚ1 CPQD30/35/38-AW7

Ⓛ CPQ20/25-AW7

Ⓛ1 CPQD20/25-AW7



序号 Item	物料码 Part NO.	名称 Description	数量 Qty	备注或适用车型 Remarks or Serial NO.
1	G005783-010030-00	螺栓 M10×30 Bolt M10×30	2	
2	G000093-000010-00	垫圈 10 Washer 10	2	
3	G0097P1-000010-00	垫圈 10 Washer 10	2	
4	R966-601100-000	齿轮泵 Gear pump	1	
5	Q672-44-G00	双钢丝式环箍 44 Clamp 44	2	
A1	R960-601200-001	管接头 Nipple-assy	1	包含/INC:6,7
6	NO PART NO.	接头体 Connector	1	
7	JISB2401-P29-G00	O 形密封圈 P29 O-ring P29	1	
8	R936-604000-000	油管总成 Oil pipe assy	1	
A2	N163-601200-000	管接头 Nipple-assy	1	包含/INC:9,10
9	NO PART NO.	接头体 Connector	1	
10	JISB2401-P18-G00	O 形密封圈 P18 O-ring P18	1	
11	R936-600001-001	吸油管 Suction hose	1	
12	G005783-006016-00	螺栓 M6×16 Bolt M6×16	2	
13	G000093-000006-00	垫圈 6 Washer 6	2	

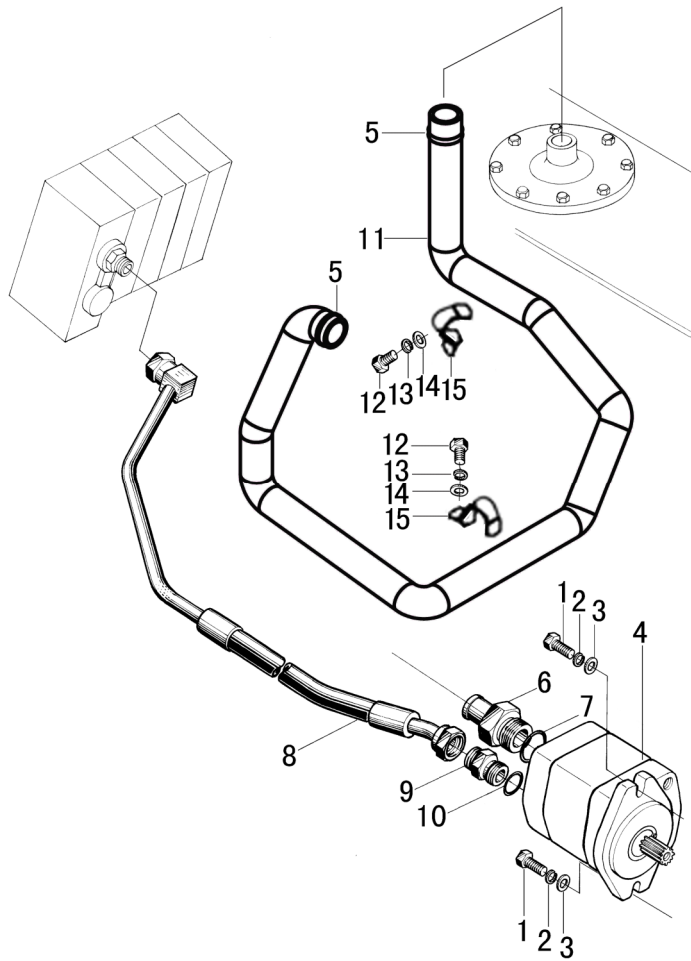
图2 油泵总成
Fig.2 Pump assy

Ⓚ CPQ30/35/38-AW7

Ⓚ1 CPQD30/35/38-AW7

Ⓛ CPQ20/25-AW7

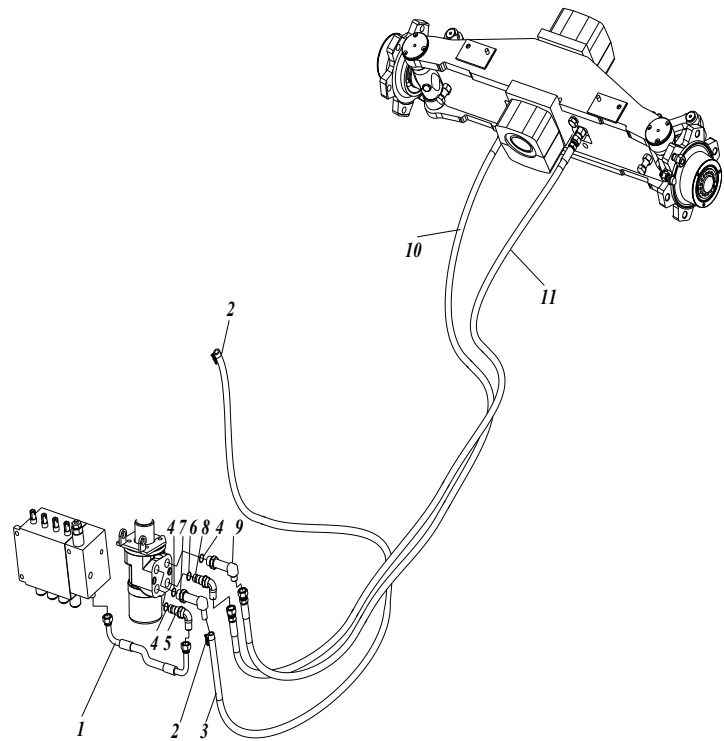
Ⓛ1 CPQD20/25-AW7



序号 Item	物料码 Part NO.	名称 Description	数量 Qty	备注或适用车型 Remarks or Serial NO.
14	G0097P1-000006-00	垫圈 6 Washer 6	2	
15	N030-600002-000	管夹 Clamp	2	

图3 转向油路
Fig. 3 Steering oil pipe

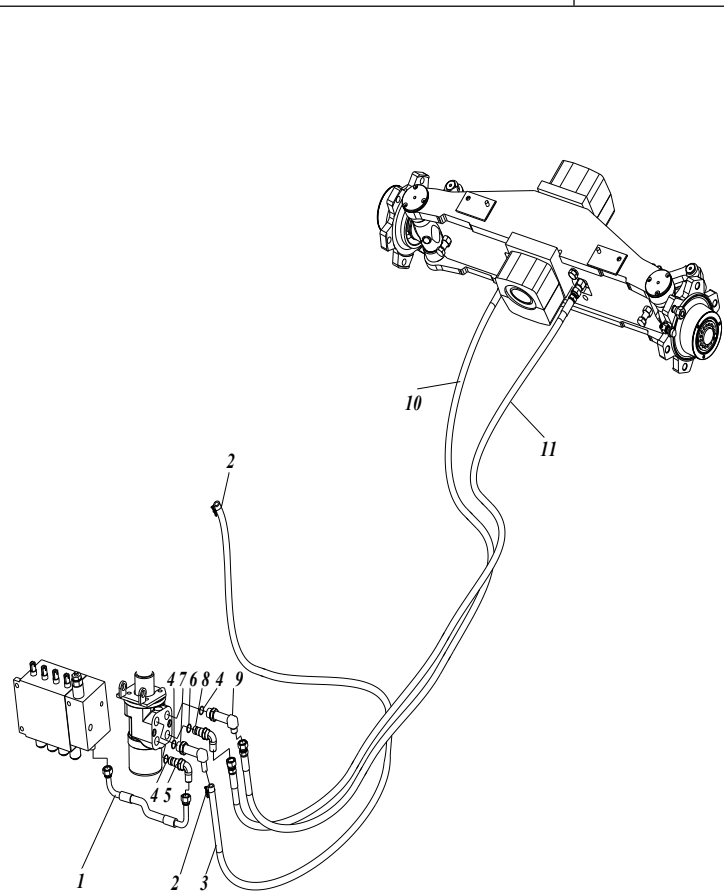
全部车型
All models of truck



序号 Item	物料码 Part NO.	名称 Description	数量 Qty	备注或适用车型 Remarks or Serial NO.
1	A300-630300-000	胶管总成 Rubber pipe assy	1	
2	Q672-24-G00	双钢丝式环箍 24 Clamp 24	2	
3	A300-630001-W00	低压胶管 Lower pressure pipe	1	<2016-07-14 回液压油箱
3	A300-630001-W01	低压胶管 Lower pressure pipe	1	≥2016-07-14 回多路阀
4	G001235-002202P4-00	O形密封圈 22×2.4 O-ring 22×2.4	3	
5	20RH-600300-000	90°管接头 90°connector	1	
6	SAEJ515-220×0173H-G00	O形密封圈 17.3×2.2 O-ring 17.3×2.2	1	
7	A300-630600-000	90°回油管接头 90°connector	1	
8	N163-216000-000	90°管接头 90°connector	1	
9	XF250-630700-000	90°管接头 90°connector	1	
10	A300-630100-000	胶管总成 Rubber pipe assy	1	3.0t-3.8t, 除外/Except C2 C3 E2 E3 O3 O4 Q3 Q4 U6 U3
10	AX381-630100-000	胶管总成 Rubber pipe assy	1	C2 C3 E2 E3 O3 O4 Q3 Q4 U6 U3
10	A250-630100-000	胶管总成 Rubber pipe assy	1	2.0t-2.5t

图3 转向油路
Fig. 3 Steering oil pipe

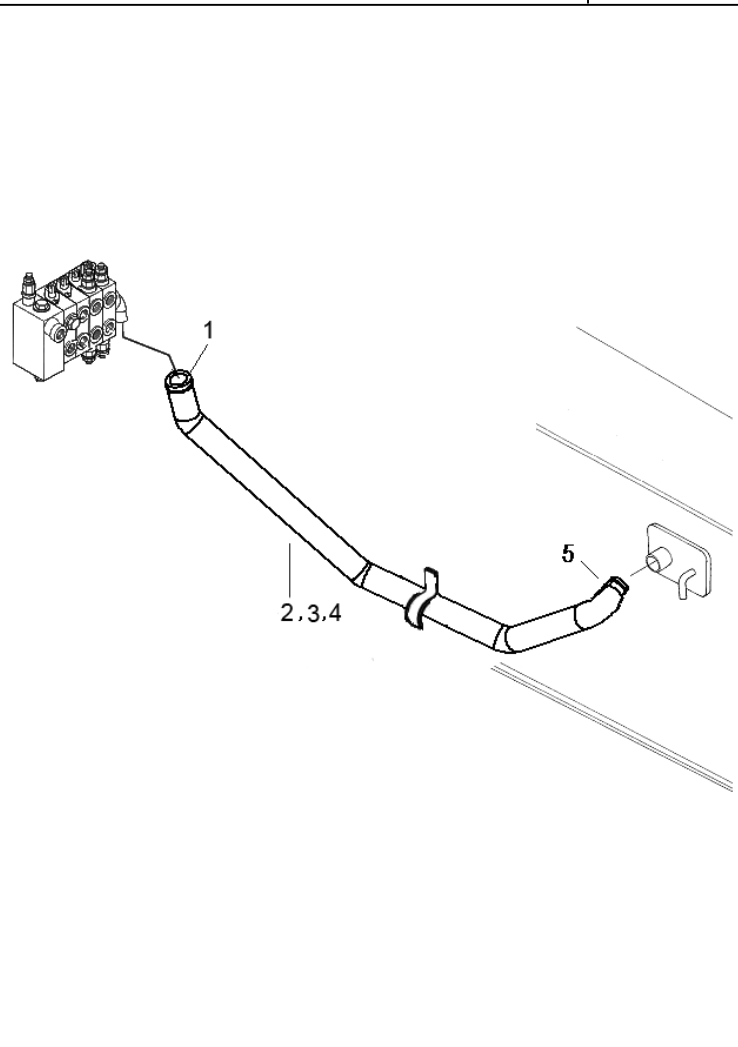
全部车型
All models of truck



序号 Item	物料码 Part NO.	名称 Description	数量 Qty	备注或适用车型 Remarks or Serial NO.
11	A300-630200-000	胶管总成 Rubber pipe assy	1	3.0t-3.8t,除外 /Except C2 C3 E2 E3 O3 O4 Q3 Q4 U6 U3
11	AX381-630200-000	胶管总成 Rubber pipe assy	1	C2 C3 E2 E3 O3 O4 Q3 Q4 U6 U3
11	A250-630200-000	胶管总成 Rubber pipe assy	1	2.0t-2.5t

图 4 回油滤油总成
Fig. 4 Strainer assy

全部车型
All models of truck

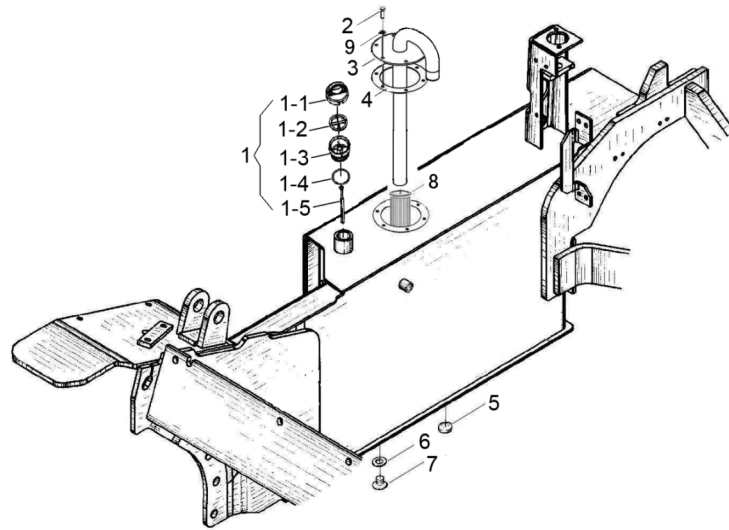


序号 Item	物料码 Part NO.	名称 Description	数量 Qty	备注或适用车型 Remarks or Serial NO.
1	Q672-44-G00	双钢丝式环箍 44 Clamp 44	1	
2	A300-605001-000	回油管 Oil return tube	1	二联阀 / 2 Sec. valve
3	A300-605002-000	回油管 Oil return tube	1	三联阀 / 3 Sec. valve
4	A300-605003-000	回油管 Oil return tube	1	四联阀 / 4 Sec. valve
5	Q672-40-G00	双钢丝式环箍 40 Clamp 40	1	

图5 液压油箱附件
Fig.5 Hydraulic tank accessory

1t-3.5t 全部车型
1t-3.5t All models of truck

<2012-11-18



序号 Item	物料码 Part NO.	名称 Description	数量 Qty	备注或适用车型 Remarks or Serial NO.
1	NC9321-603300-001	液压油箱盖总成 Cap assy	1	≤2012-08-07
1	NC9321-603300-002	液压油箱盖总成 Cap assy	1	≥2012-08-08
1-1	XF250-603201-000	端盖 Cap	1	不单独提供 Do not supply separately
1-2	XF250-603210-000	空气过滤器 Breather filter	1	≤2012-08-07 不单独提供
1-3	XF250-603203-001	盖体 Cap body	1	Do not supply separately
1-2	XF250-603202-000	空气过滤器 Breather filter	1	≥2012-08-08 <2012-11-18 不单独提供
1-3	XF250-603203-002	盖体 Cap body	1	Do not supply separately
1-4	G3452P1-46P23P55-00	O形密封圈 46.2×3.55 O-ring 46.2×3.55	1	
1-5	NC9321-603301-001	油尺 Fuel dipstick	1	不单独提供 Do not supply separately
2	G005783-006016-01	螺栓 M6×16 Bolt M6×16	6	
3	A300-603100-000	盖板总成 Cover plate assy	1	
4	RC250-605001-000	密封垫 Seal pad	1	
5	N163-340002-000	磁铁 Ring magnetic iron	1	
6	J000982-000024-00	垫圈 24 Washer 24	1	
7	N163-340008-000	螺塞 Plug	1	

图 5-1 液压油箱附件
Fig.5-1 Hydraulic tank accessory

1t-3.5t 全部车型
1t-3.5t All models of truck

≥2012-11-18

序号 Item	物料码 Part No.	名称 Description	数量 Qty	备注或适用车型 Remarks or Serial No.
1	A300-603300-000	液压油箱盖总成 Cap assy	1	2012-11-18≤Item 1< 2013-02-01
1-1	XF250-603201-000	端盖 Cap	1	2012-11-18≤Item 1< 2013-02-01 不单独提供 Do not supply separately
1-2	NO PART NO.	橡胶堵头 Rubber Plug	1	
1-3	A300-603203-000	盖体 Cap body	1	
1-5	NC9321-603301-001	油尺 Fuel dipstick	1	
1-4	G3452P1-46P23P55-00	O 形密封圈 46.2×3.55 O-ring 46.2×3.55	1	
2	G005783-006016-00	螺栓 M6×16 Bolt M6×16	6	
3	A300-603100-001	液压盖板总成 Cover plate assy	1	≥2012-11-18
4	RC250-605001-000	密封垫 Seal pad	1	
5	N163-340002-000	磁铁 Ring magnetic iron	1	
6	J000982-000024-00	垫圈 24 Washer 24	1	
7	N163-340008-000	螺塞 Plug	1	
8	J000982-000006-00	垫圈 6 Washer 6	6	
9	A300-603010-000	吸油滤油器总成 Suction filter assy	1	

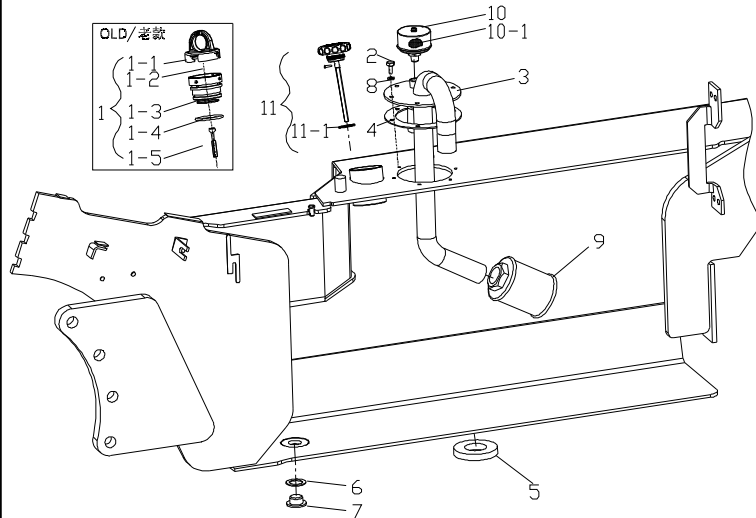
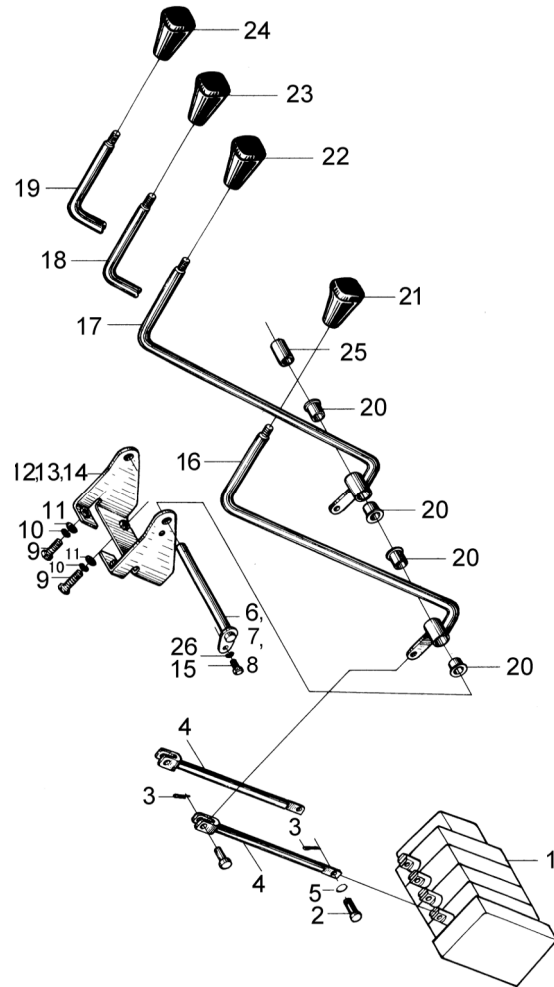


图6 多路阀操纵
Fig.6 Multi-way valve control

全部车型
All models of truck



序号 Item	物料码 Part NO.	名称 Description	数量 Qty	备注或适用车型 Remarks or Serial NO.
1	A300-611000-000	多路阀总成 Multi-way valve assy	1	其余车型 The remaining models
1	N163-611000-001	多路阀总成 Multi-way valve assy	1	Ⓚ Ⓚ① Ⓛ Ⓛ①
2	25DE-71-3	销轴 Pin shaft	4	3 Sec. valve 数量/Qty 6 4 Sec. valve 数量/Qty 8
3	G000091-002016-00	销 2×16 Pin 2×16	4	3 Sec. valve 数量/Qty 6 4 Sec. valve 数量/Qty 8
4	30DH-615000B	连接杆 Connector rod	2	3 Sec. valve 数量/Qty 3 4 Sec. valve 数量/Qty 4
5	G0097P1-000005-000	垫圈 5 Washer 5	4	3 Sec. valve 数量/Qty 6 4 Sec. valve 数量/Qty 8
6	3E-615000	销轴 Pin shaft	1	二联阀 / 2 Sec. valve
7	3E-616000	销轴 Pin shaft	1	三联阀 / 3 Sec. valve
8	3E-617000	销轴 Pin shaft	1	四联阀 / 4 Sec. valve
9	G005783-008025-00	螺栓 M8×25 Bolt M8×25	4	
10	G000093-000008-00	垫圈 8 Washer 8	4	
11	G0097P1-000008-00	垫圈 8 Washer 8	4	
12	JP300-641000-000	支架 Bracket	1	二联阀 / 2 Sec. valve
13	JP300-642000-000	支架 Bracket	1	三联阀 / 3 Sec. valve
14	JP300-643000-000	支架 Bracket	1	四联阀 / 4 Sec. valve

图6 多路阀操纵
Fig.6 Multi-way valve control

全部车型
All models of truck

序号 Item	物料码 Part NO.	名称 Description	数量 Qty	备注或适用车型 Remarks or Serial NO.
15	G005783-006012-00	螺栓 M6×12 Bolt M6×12	4	
16	A300-610100-000	起升手柄 Multi-way valve hand	1	<2013-01-01
17	A300-610200-000	倾斜手柄 Multi-way valve hand	1	<2013-01-01
18	A300-610300-000	属具手柄 1 Multi-way valve hand	1	<2013-01-01
19	A300-610400-000	属具手柄 2 Multi-way valve hand	1	<2013-01-01
16	A300-610100-001	起升手柄 Multi-way valve hand	1	≥2013-01-01
17	A300-610200-001	倾斜手柄 Multi-way valve hand	1	≥2013-01-01
18	A300-610300-001	属具手柄 1 Multi-way valve hand	1	≥2013-01-01
19	A300-610400-001	属具手柄 2 Multi-way valve hand	1	≥2013-01-01
20	3E-610006	垫圈 Washer	1	3 Sec. valve 数量/Qty 2 4 Sec. valve 数量/Qty 3
21	30DH-610002	起升手把 Lifting knob	1	
22	30DH-610003	倾斜手把 Tilting knob	1	
23	30DH-610008	侧移手把 Knob, Side shifter	1	
24	30DH-610004	属具手把 Knob attachment	1	
24	30DH-610010	旋转 标签 Lable, Rotation	1	

图7 多路阀总成(标配)
Fig.7 Multi-way valve assy(Standard)

全部车型
All models of truck

序号 Item	物料码 Part NO.	名称 Description	数量 Qty	备注或适用车型 Remarks or Serial NO.
1	N163-611100-001	二联多路阀 2 spool valve	1	<2016-07-14, 2t-3.5t
2	N163-611200-001	三联多路阀 3 spool valve	1	<2016-07-14, 2t-3.5t
3	N163-611300-001	四联多路阀 4 spool valve	1	<2016-07-14, 2t-3.5t
1	A300-611100-000	二联多路阀 2 spool valve	1	<2016-07-14, 3.8t, 3.5t 出 租车(CPC35-A□-Z)
2	A300-611200-000	三联多路阀 3 spool valve	1	<2016-07-14, 3.8t, 3.5t 出 租车(CPC35-A□-Z)
3	A300-611300-000	四联多路阀 4 spool valve	1	<2016-07-14, 3.8t, 3.5t 出 租车(CPC35-A□-Z)
1	N163-611100-002	二联多路阀 2 Sec. valve	1	≥2016-07-14,2t-3.5t
2	N163-611200-002	三联多路阀 3 Sec. valve	1	≥2016-07-14,2t-3.5t
3	N163-611300-002	四联多路阀 4 Sec. valve	1	≥2016-07-14,2t-3.5t
1	A300-611100-001	二联多路阀 2 spool valve	1	≥2016-07-14, 3.8t, 3.5t 出 租车(CPC35-A□-Z)
2	A300-611200-001	三联多路阀 3 spool valve	1	≥2016-07-14, 3.8t, 3.5t 出 租车(CPC35-A□-Z)
3	A300-611300-001	四联多路阀 4 spool valve	1	≥2016-07-14, 3.8t, 3.5t 出 租车(CPC35-A□-Z)
4	G001235-002402P4-00	O 形密封圈 24×2.4 O-ring 24×2.4	1	
5	G0097P1-000010-00	垫圈 10 Washer 10	3	
6	G000093-000010-00	垫圈 10 Washer 10	3	

图7 多路阀总成(标配)

Fig.7 Multi-way valve assy(Standard)

全部车型
All models of truck

序号 Item	物料码 Part NO.	名称 Description	数量 Qty	备注或适用车型 Remarks or Serial NO.
7	G005786-010025-00	螺栓 M10×1.25×25 Bolt M10×1.25×25	1	
8	N163-611800-000	管接头 Connector	1	
9	G001235-002202P4-00	O形密封圈 22×2.4 O-ring 22×2.4	3	
10	N163-611700-000	管接头 Connector	1	
A1	N163-611500-000	管接头 Connector	1	INC:4,11 Ⓚ Ⓚ1 Ⓛ Ⓛ1
11	NO PART NO.	接头体 Connector	1	Ⓚ Ⓚ1 Ⓛ Ⓛ1
11	30DH-600001	直通管接头 Nipple-assy	1	其余车型 The remaining models
12	N163-611600-000	管接头 Connector	1	
13	G005786-010030-00	螺栓 M10×1.25×30 Bolt M10×1.25×30	2	
14	A300-611400-000	管接头 Connector	1	≥2016-07-14
15	G001235-002202P4-00	O形密封圈 22×2.4 O-ring 22×2.4	1	≥2016-07-14

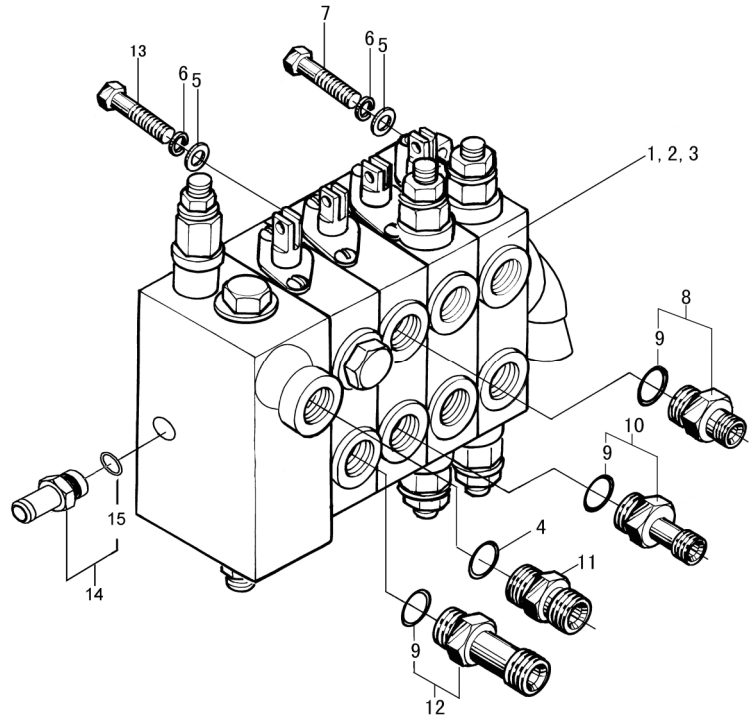


图 8 多路阀总成(感知系统)

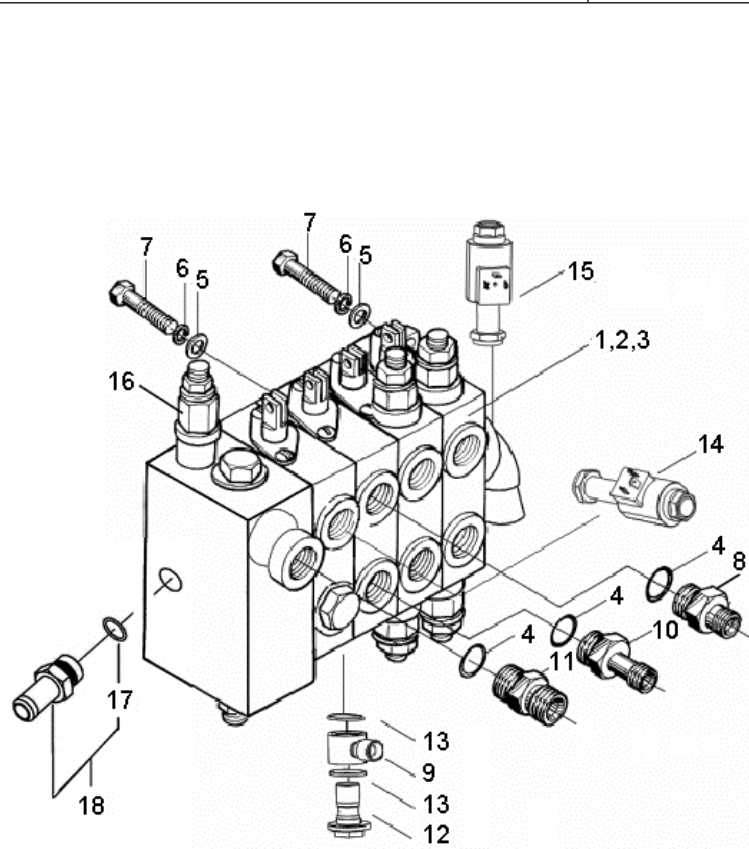
Fig.8 Multi-way valve assy (OPS System)

① CPCD30/35-AW27

① CPCD20/25-AW27

① CPCD30/35-AW67

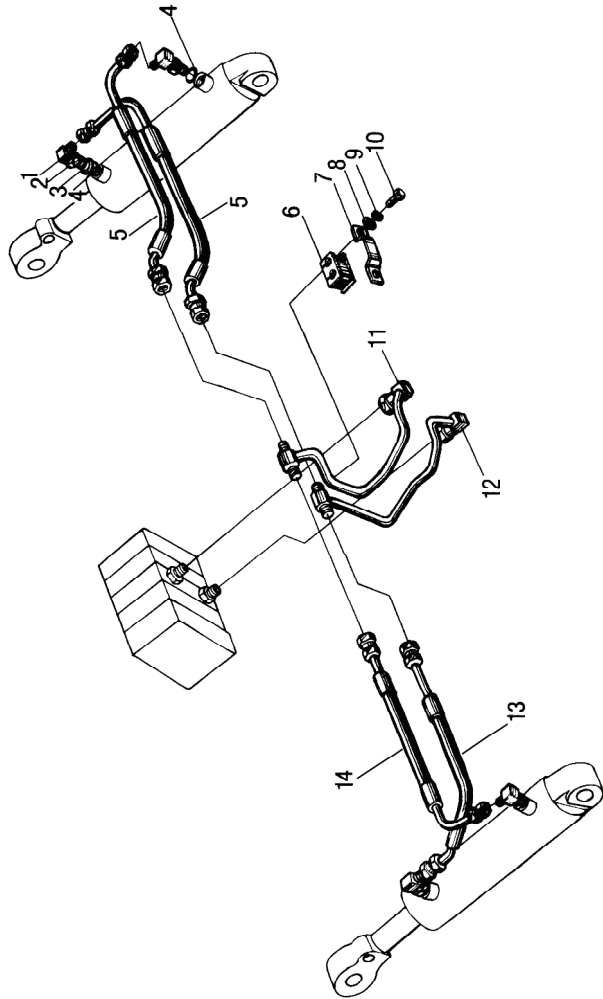
① CPCD20/25-AW67



序号 Item	物料码 Code No.	名称 Description	数量 Qty	备注或适用车型 Remarks Or Serial No.
1	N163-611100-520	二联电控多路阀 2 Sec. valve	1	2t-3.5t, <2016-07-14, 停产 Stop production
2	N163-611200-520	三联电控多路阀 3 Sec. valve	1	2t-3.5t, <2016-07-14, 停产 Stop production
3	N163-611300-520	四联电控多路阀 4 Sec. valve	1	2t-3.5t, <2016-07-14, 停产 Stop production
1	N163-611100-521	二联电控多路阀 2 Sec. valve	1	替代方案 alternative scheme: 图 3, 序号 3,
2	N163-611200-521	三联电控多路阀 3 Sec. valve	1	A300-630001-W01, 图 8, 序号 17, 18
3	N163-611300-521	四联电控多路阀 4 Sec. valve	1	G001235-002202P4-00 A300-611400-000
4	G001235-002402P4-00	O 形密封圈 24×2.4 O-ring 24×2.4	3	
5	G0097P1-000010-00	垫圈 10 Washer 10	3	
6	G000093-000010-00	垫圈 10 Washer 10	3	
7	G005786-010030-00	螺栓 M10×1.25×30 Bolt M10×1.25×30	3	
A1	N163-611800-000	管接头 Connector	1	包含/INC: 4, 8
A2	N163-611700-500	管接头 Connector	1	包含/INC: 4, 10
8	NO PART NO.	接头体 Connector	1	
9	XF250-611005-500	铰接接头体 Connector	1	
10	NO PART NO.	接头体 Connector	1	

图9 倾斜管路
Fig. 9 Tilting oil pipe

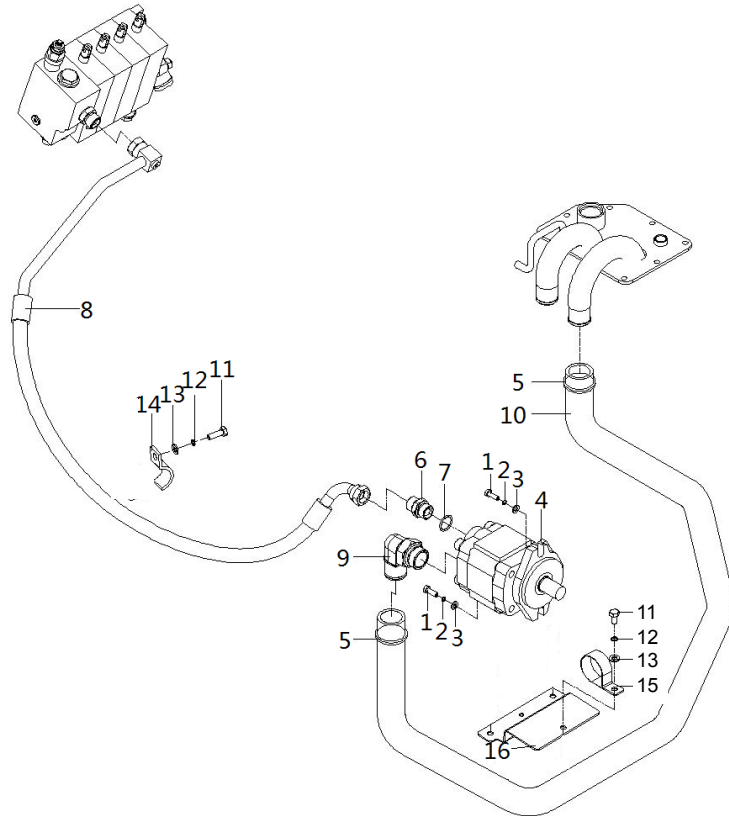
全部车型
All models of truck



序号 Item	物料码 Part No.	名称 Description	数量 Qty	备注或适用车型 Remarks or Serial No.
1	N163-620801-W00	接头体 Connector	4	
2	N163-620802-W00	锁紧螺母 Locking nut	4	
3	N163-620803-W00	挡圈 Snap ring	4	
4	JISB2401-P11-G00	O形密封圈 P11 O-ring P11	4	
A1	N163-620800-000	90° 管接头 Elbow	4	包含/INC:1-4
5	A300-620100-000	胶管总成 Rubber pipe assy	2	
6	N163-620002-000	固定块 Fixed block	1	
7	N163-620001-000	压板 Clamp	1	
8	G0097P1-000008-00	垫圈 8 Washer 8	2	
9	G000093-000008-00	垫圈 8 Washer 8	2	
10	G005783-008016-00	螺栓 M8×16 Bolt M8×16	2	
11	N163-620200-000	倾斜油管 Tilting oil pipe	1	标配 Standard
11	N163-620200-500	倾斜油管 Tilting oil pipe	1	感知系统 OPS System
12	N163-620100-000	倾斜油管 Tilting oil pipe	1	标配 Standard
12	N163-620100-500	倾斜油管 Tilting oil pipe	1	感知系统 OPS System

图 10 油泵总成
Fig.10 Oil pump assy

全部车型
All models of truck



序号 Item	物料码 Part No.	名称 Description	数量 Qty	备注或适用车型 Remarks or Serial No.
1	G005783-010030-01	螺栓 M10×30 Bolt M10×30	2	
2	G000093-000010-00	垫圈 10 Washer 10	2	
3	G0097P1-000010-00	垫圈 10 Washer 10	2	
4	R305-601100-000	齿轮泵 Gear pump	1	
5	Q672-44-G00	双钢丝式环箍 44 Hoop 44	1	
6	30DH-600001	管接头 Pipe connector		
7	G001235-002402P4-00	O 形密封圈 24×2.4 O-ring 24×2.4	1	
8	A3119-604000-000	油管总成 Oil pipe assy	1	
9	R305-601200-000	管接头 Connector	1	
10	A3119-600001-000	吸油管 Suction pipe	1	
11	G005783-008016-00	螺栓 M8×16 Bolt M8×16	6	
12	G000093-000008-00	垫圈 8 Washer 8	10	
13	G0097P1-000008-00	垫圈 8 Washer 8	10	
14	MB254-600005-000	管夹 Clamp	1	
15	XF250-602002-000	管夹 Clamp	1	

第七部分 电气系统目录

Part VII Electrical system contents

- | | | | |
|----------------------------------|-----------------------------------|----------------------------------|----------------------------------|
| Ⓐ CPC30/35/38-AG2 | Ⓐ ¹ CPCD30/35/38-AG2 | Ⓐ ² CPC30/35-AG2-Z | Ⓐ ³ CPCD30/35/38-AG2E |
| Ⓑ CPC20/25-AG2 | Ⓑ ¹ CPCD20/25-AG2 | ⑦ CPCD20/25-AW55 | Ⓑ ³ CPCD20/25-AG2E |
| Ⓒ CPC30/35/38-AG32 | Ⓒ ¹ CPCD30/35/38-AG32 | Ⓒ ² CPC38-AXG32 | Ⓒ ³ CPCD38-AXG32 |
| Ⓓ CPC20/25-AG32 | Ⓓ ¹ CPCD20/25-AG32 | Ⓕ CPC20/25-AW10 | Ⓕ ¹ CPCD20/25-AW10 |
| Ⓔ CPC30-AW10 | Ⓔ ¹ CPCD30-AW10 | Ⓔ ² CPC30-AXW10 | Ⓔ ³ CPCD30-AXW10 |
| Ⓒ ³ CPC30/35/38-AW13 | Ⓒ ³ CPCD30/35/38-AW13 | Ⓖ ¹ CPC20/25-AW13 | Ⓖ ¹ CPCD20/25-AW13 |
| Ⓘ ¹ CPC30/35/38-AW27 | Ⓘ ¹ CPCD30/35/38-AW27 | Ⓙ ¹ CPC20/25-AW27 | Ⓙ ¹ CPCD20/25-AW27 |
| Ⓚ ¹ CPQ30/35/38-AW7 | Ⓚ ¹ CPQD30/35/38-AW7 | Ⓛ ¹ CPQ20/25-AW7 | Ⓛ ¹ CPQD20/25-AW7 |
| Ⓜ ¹ CPCD30/35-AW67 | Ⓜ ¹ CPCD20/25-AW67 | Ⓞ ⁵ CPC30/35-AG52-Z | Ⓞ ⁶ CPC30/35-AG52G-Z |
| Ⓞ ¹ CPC30/35/38-AG51 | Ⓞ ¹ CPCD30/35/38-AG51 | Ⓞ ² CPC30/35-AG51-Z | Ⓞ ³ CPCD30/35-AXG51 |
| Ⓞ ⁴ CPC30/35-AXG51 | Ⓞ ⁹ CPC30/35-AG51G-Z | Ⓟ ¹ CPC20/25-AG51 | Ⓟ ¹ CPCD20/25-AG51 |
| Ⓞ ³ CPC30/35/38-AG52 | Ⓞ ¹ CPCD30/35/38-AG52 | Ⓞ ³ CPCD30/35-AXG52 | Ⓞ ⁴ CPC30/35-AXG52 |
| Ⓡ ¹ CPC20/25-AG52 | Ⓡ ¹ CPCD20/25-AG52 | ① CPC30/35-AG69-Z | ② CPC30/35-AG69G-Z |
| Ⓢ ¹ CPC30/35/38-AG2J | Ⓢ ¹ CPCD30/35/38-AG2J | Ⓢ ² CPC30/35-AG2J-Z | Ⓢ ² CPC30/35-AG70J-Z |
| Ⓣ ¹ CPC20/25-AG2J | Ⓣ ¹ CPCD20/25-AG2J | Ⓢ ³ CPC30/35-AG70JG-Z | ⑧ CPCD30/35/38-AW55 |
| Ⓤ ¹ CPC30/35/38-AG65J | Ⓤ ¹ CPCD30/35/38-AG65J | Ⓤ ² CPC30/35-AG65J-Z | Ⓤ ³ CPCD30/35-AXG65J |
| Ⓤ ⁴ CPC30/35-AG65JG-Z | Ⓤ ⁶ CPC30/35-AXG65J | Ⓥ ¹ CPC20/25-AG65J | Ⓥ ¹ CPCD20/25-AG65J |
| Ⓦ ¹ CPC30/35/38-AG70 | Ⓦ ¹ CPCD30/35/38-AG70 | Ⓧ ¹ CPC20/25-AG70 | Ⓧ ¹ CPCD20/25-AG70 |
| Ⓢ ² CPC30/35/38-AG70J | Ⓢ ² CPCD30/35/38-AG70J | Ⓢ ² CPC20/25-AG70J | Ⓢ ² CPCD20/25-AG70J |
| ③ CPC20/25-AG69 | ④ CPC30/35/38-AG69 | ⑤ CPCD20/25-AG69 | ⑥ CPCD30/35/38-AG69 |

序号 Item	名称 Description	适用车型 Serial No.	页码 Page
图 I Fig. I	仪表板总成 Instrument assy	<2014-7-1 全部车型 All models of truck	7-1

序号 Item	名称 Description	适用车型 Serial No.	页码 Page
图 I -1 Fig. I -1	仪表板总成 Instrument assy	全部车型 All models of truck	7-3
图 II Fig. II	仪表板总成 Instrument assy	全部车型 All models of truck	7-5
图III Fig.III	前灯总成 Front lamps assy	全部车型 All models of truck	7-6
图IV Fig.IV	后灯总成 Rear lamps assy	全部车型 All models of truck	7-8
图 V Fig. V	控制盒总成, 非电控发动机 Control box assy, Not electronically controlled engine	1.0t-3.8t,全部车型 All models of truck G2,G32, W10,W27,W67, G2J	7-9
图 V-1 Fig. V-1	控制盒总成, 电控发动机 Control box assy, Electronically controlled engine	1.0t-3.8t 全部车型 All models of truck G51,G52, G65,G65J, G70,G70J	7-10
图VI Fig.VI	组合开关 Combination switch	电磁阀换向 Solenoid valve Commutation 全部车型 All models of truck	7-12
图VII Fig.VII	电源总开关总成 Disconnect switch assy	选配 optional 全部车型 All models of truck	7-13
图VIII Fig. VIII	手刹开关总成 Hand brake switch assy	感知系统标配/OPS System Standard, 或选配, Or optional, 全部车型 All models of truck	7-14
图IX Fig. IX	控制盒总成 (感知系统) Control box assy (OPS System)	全部车型 All models of truck	7-15
图 1 Fig.1	电气系统 Electrical system	Ⓐ Ⓐ1 Ⓐ2 Ⓑ Ⓑ1 Ⓒ Ⓒ1 Ⓒ2 Ⓒ3 Ⓓ Ⓓ1	7-16
图 2 Fig.2	电气系统 Electrical system	Ⓒ Ⓒ1 Ⓒ2 Ⓒ3 Ⓓ Ⓓ1	7-20
图 3 Fig.3	电气系统 Electrical system	Ⓔ Ⓔ2 Ⓔ1 Ⓔ3 Ⓕ Ⓕ1	7-24
图 4 Fig.4	电气系统 Electrical system	Ⓖ Ⓖ1 Ⓕ Ⓕ1	7-28
图 5 Fig.5	电气系统 Electrical system	Ⓛ Ⓛ1 Ⓜ Ⓜ1 Ⓝ Ⓝ1	7-32

序号 Item	名称 Description	适用车型 Serial No.	页码 Page
图 6 Fig.6	电气系统 Electrical system	(K) (K1) (L) (L1)	7-36
图 7 Fig.7	电气系统 Electrical system	(A3) (B3) (A1) (B1) 电磁阀换向 Solenoid valve Commutation	7-40
图 8 Fig.8	电气系统 (感知系统) Electrical system (OPS System)	(M1) (N1)	7-44
图 9 Fig.9	电气系统 Electrical system	(O) (O1) (O2) (O3) (O4) (P) (P1) (Q) (Q1) (Q3) (Q4) (R) (R1) (O5) (U) (U1) (V) (V1) (Q5) (Q6)	7-48
图 10 Fig.10	电气系统 Electrical system	(W) (W1) (X) (X1) (Y) (Y1) (Z) (Z1) (Y3)	7-52
图 11 Fig.11	电气系统 Electrical system	(7) (8)	7-56

图 I 仪表盘总成
Fig. I Instrument assy

全部车型
All models of truck

<2014-7-1

序号 Item	物料码 Part No.	名称 Description	数量 Qty	备注或适用车型 Remarks or Serial No.
A1	A300-740000-000	仪表盘总成 Instrument assy	1	机械车, Except W7 除外 <2014-7-1
A2	A310-740000-000	仪表盘总成 Instrument assy	1	液力车, Except W7 除外 <2014-7-1
A3	A306-740000-000	仪表盘总成 Instrument assy	1	机械车, W7 engine <2014-7-1
A4	A316-740000-000	仪表盘总成 Instrument assy	1	液力车, W7 engine <2014-7-1
1	DW-2	油温表 Oil temp gauge	1	液力车 Hydrodynamic
2	HXJ-02	计时表 Hour meter	1	
3	JK107-G00	大小灯开关 Head lamp & Small lamp witch	1	
4	FXK-700-G00	转向灯开关 Steering lamp switch	1	
5	DS-202	检查按钮 Check button	1	
6	DR-2	油量表 Fuel gauge	1	
7	DW-2	水温表 Water temp gauge	1	
8	NO PART NO.	左转向指示灯 Left-turn signal lamp	1	
9	NO PART NO.	远光指示灯 Far indicator lamp	1	
10	NO PART NO.	预热指示灯 Preheat indicator lamp	1	

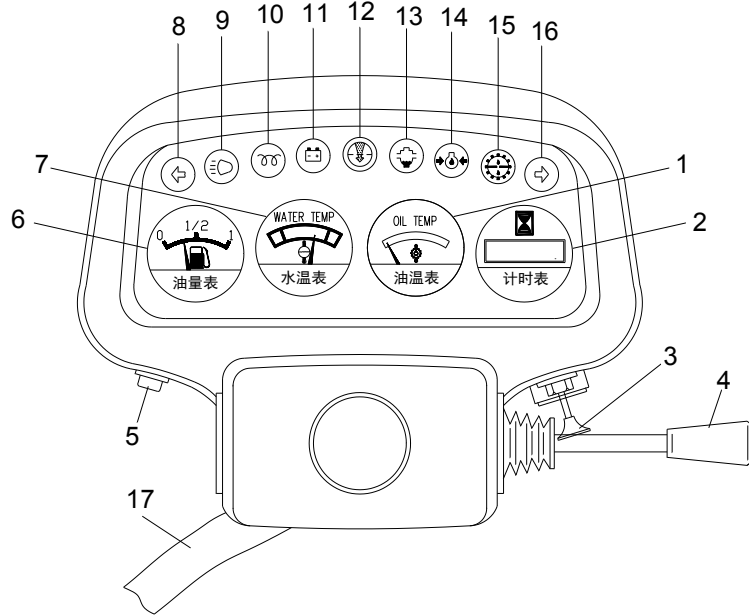


图 I 仪表板总成
Fig. I Instrument assy

全部车型
All models of truck

<2014-7-1

序号 Item	物料码 Part No.	名称 Description	数量 Qty	备注或适用车型 Remarks or Serial No.
11	NO PART NO.	充电指示灯 Charging indicator lamp	1	
12	NO PART NO.	空滤器指示灯 Air Filter indicator lamp	1	
13	NO PART NO.	油水分离指示灯 Indicator lamp, Water-oil separation	1	
14	NO PART NO.	油压报警灯 Hydraulic Oil warning lamp	1	
15	NO PART NO.	滤油指示灯 Oil filter indicator lamp	1	
16	NO PART NO.	右转向指示灯 Right-turn signal lamp	1	
17	30HB-741000	仪表盒线束 Instrument wire-harness	1	Except W7 除外 <2013-01-01
17	A300-741000-000	仪表盒线束 Instrument wire-harness	1	Except W7 除外 ≥2013-01-01
17	A306-741000-000	仪表盒线束 Instrument wire-harness	1	W7 发动机 W7 engine

图 I -1 仪表板总成
Fig. I -1 Instrument assy

全部车型
All models of truck

≥2014-7-1

序号 Item	物料码 Part No.	名称 Description	数量 Qty	备注或适用车型 Remarks or Serial No.
A1	A300-740100-001	仪表总成 Instrument assy	1	≥2014-7-1 INC:1-12,14-18
A1	A309-740100-001	仪表总成 Instrument assy	1	CPC30/35-A□-Z, 出租车 INC:1-12,14-18
1	NO PART NO.	水温表 Water temp gauge	1	
2	NO PART NO.	油量表 Fuel gauge	1	
3	NO PART NO.	左转向指示灯 Left-turn signal lamp	1	
4	NO PART NO.	充电指示灯 Charging indicator lamp	1	
5	NO PART NO.	油压报警灯 Hydraulic Oil warning lamp	1	
6	NO PART NO.	预热指示灯 Preheat indicator lamp	1	
7	NO PART NO.	油水分离指示灯 Indicator lamp, Water-oil separation	1	
8	NO PART NO.	变速箱油温报警灯 Oil temp warning lamp	1	液力车 Hydrodynamic
9	NO PART NO.	驻车指示灯 Parking indicator	1	
10	NO PART NO.	中位指示灯 Neutral indicator lamp		
11	NO PART NO.	故障指示 Fault indication lamp	1	
11	NO PART NO.	维修保养指示灯 Maintenance lamp	1	CPC30/35-A□-Z, 出租车
12	NO PART NO.	右转向指示灯 Right turn signal lamp	1	

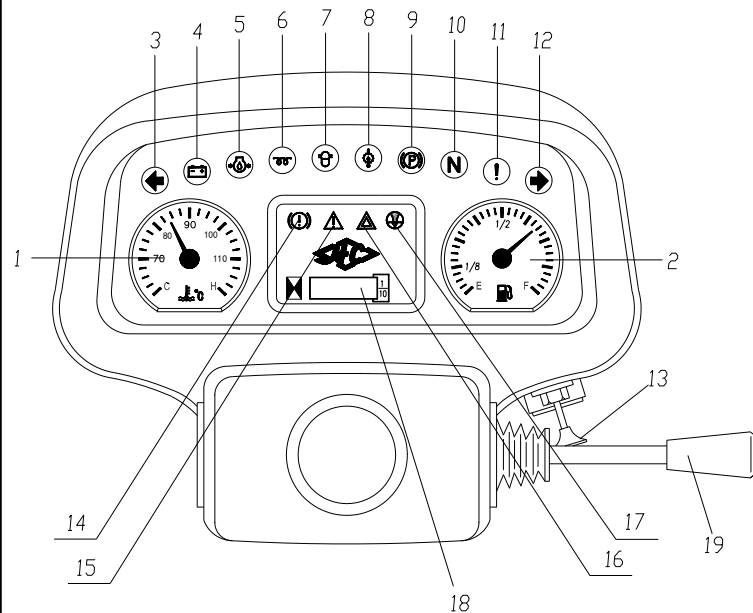


图 II 仪表板总成 2
Fig. II Dashboard assy 2

全部车型
All models of truck

序号 Item	物料码 Part No.	名称 Description	数量 Qty	备注或适用车型 Remarks or Serial No.
1	G000067-004035-00	螺钉 M4×35 Bolt M4×35	4	
2	30HB 仪表壳体 30HB Instrument housing	后盖板 Back cover hood	1	需一起购买 Provide together
3		上壳体 Upper cover hood	1	
4		下壳体 Lower cover hood	1	
5	FXK-700-G00	转向灯开关 Steering lamp switch	1	手动换向 Manual control Commutation
6	NO PART NO.	表头 Meter	1	
7	JK406C-G00	钥匙开关 Start switch	1	
8	JD195-G00	预热继电器 Preheat relay	1	Except 除外 W7 engine (K) (K1) (L) (L1), <2014-7-1
9	YD101-G00	预热定时器 Preheat timer	1	Except 除外 W7 engine (K) (K1) (L) (L1), <2014-7-1
10	N163-701100-000	电子闪光器 Flasher	1	<2014-7-1

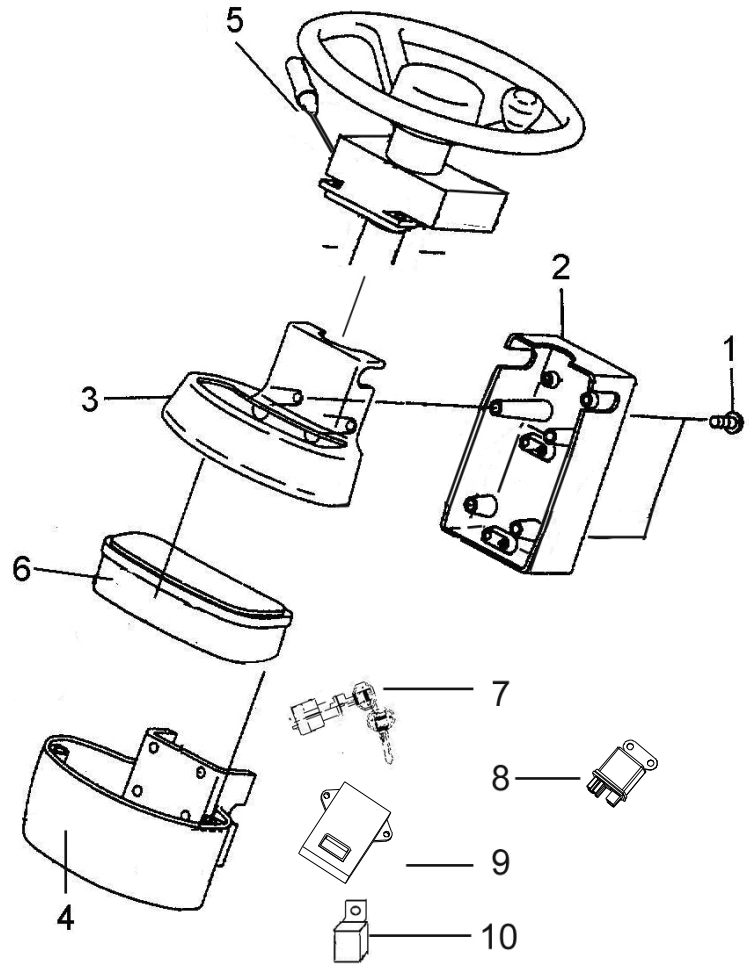
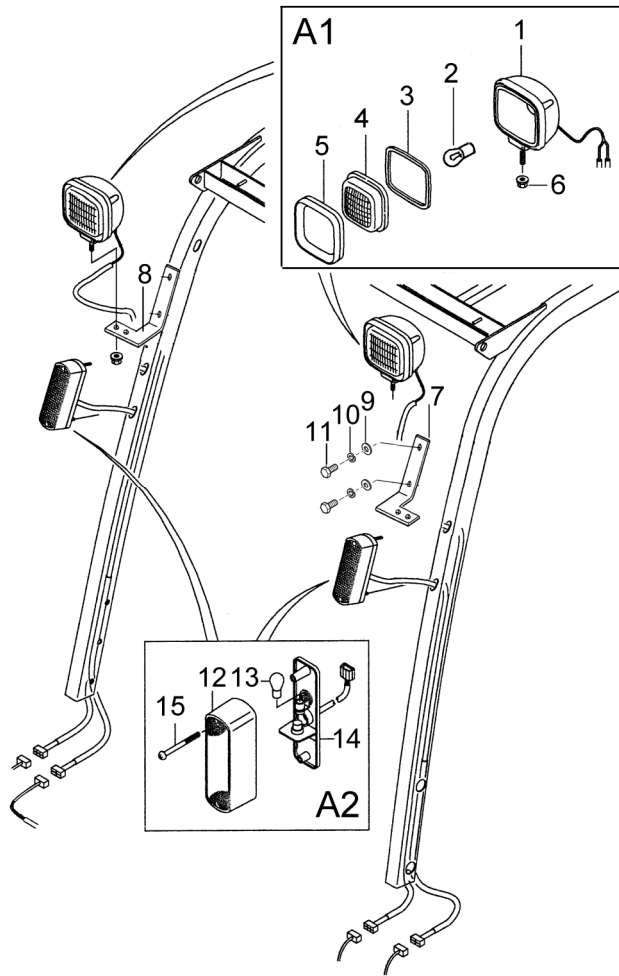


图 III 前灯总成
Fig. III Front lamps assy

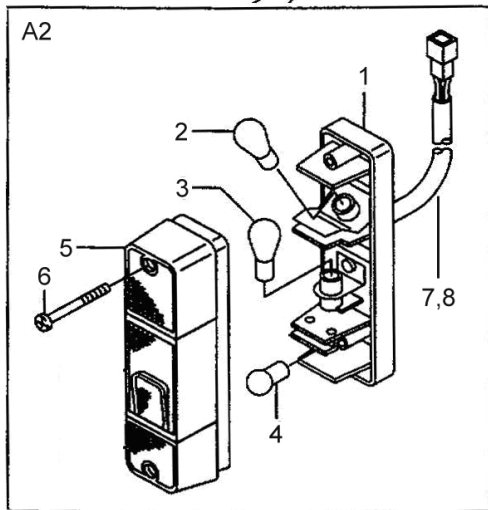
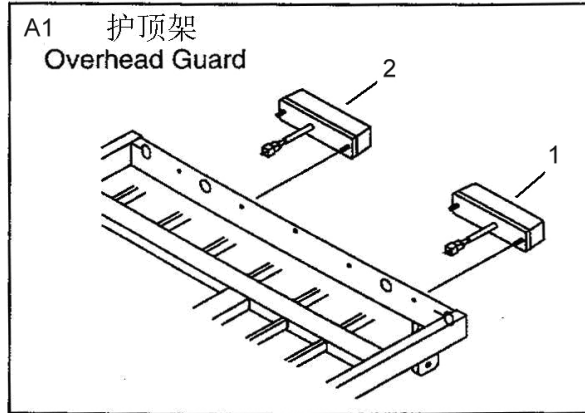
全部车型
All models of truck



序号 Item	物料码 Part NO.	名称 Description	数量 Qty	备注或适用车型 Remarks or Serial No.
A1	A300-760100-000	前大灯 Head lamp	2	包含/INC:1-6
1	NO PART NO.	灯壳 Body	2	
2	H3-12V-35W	灯泡 Bubble	2	
3	NO PART NO.	密封圈 Seal	2	
4	NO PART NO.	玻璃罩 Glass	2	
5	NO PART NO.	罩壳 Cover	2	
6	NO PART NO.	螺母 Nut	2	
7	A300-760001-000	右前大灯架 Right head lamp bracket	1	右 Right
8	A300-760002-000	左前大灯架 Left head lamp bracket	1	左 Left
9	G0097P1-000008-00	垫圈8 Washer 8	2	
10	G000093-000008-00	垫圈8 Washer 8	2	
11	G0029P2-008016-00	螺栓 M8×16 Bolt M8×16	2	
A2	A300-700100-000	前小灯 Front lamps	2	包含/INC:12-15 <2013-05-01
A2	A300-700100-001	前小灯 LED Front lamps LED	2	≥2013-05-01
12	NO PART NO.	灯罩 Cover	2	<2013-05-01

图IV 后灯总成
Fig.IV Rear lamps assy

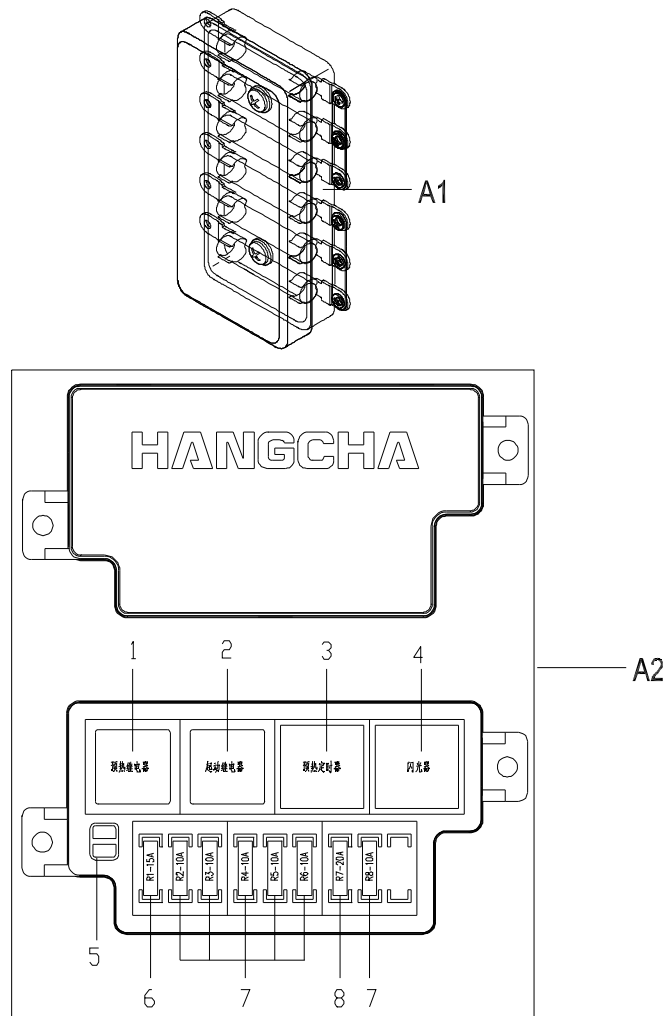
全部车型
All models of truck



序号 Item	物料码 Part No.	名称 Description	数量 Qty	备注或适用车型 Remarks or Serial No.
1	A300-701100-000	左后灯 Rear lamp-Left	1	包含/INC:1-7 <2013-05-01
1	A300-701100-001	左后灯, LED Rear lamp-Left,LED	1	≥2013-05-01
2	A300-701200-000	右后灯 Rear lamp-Right	1	包含/INC:1-6,8 <2013-05-01
2	A300-701200-001	右后灯 LED Rear lamp-Right,LED	1	≥2013-05-01
1	NO PART NO.	灯底板 Bracket	1	<2013-05-01
2	NO PART NO.	转向灯泡 Bubble, turning signal	1	<2013-05-01
3	NO PART NO.	制动灯泡 Bubble, brake signal	1	<2013-05-01
4	NO PART NO.	倒车灯泡 Bubble, reverse signal	1	<2013-05-01
5	NO PART NO.	罩壳 Cover,	1	<2013-05-01
6	NO PART NO.	螺钉 M5×70 Screw M5×70	2	<2013-05-01
7	NO PART NO.	线束 harness	1	左后灯 Rear lamp-Left
8	NO PART NO.	线束 harness	1	右后灯 Rear lamp-Right

图V 控制盒总成, 非电控发动机
 Fig. V Control box assy, Not electronically controlled engine

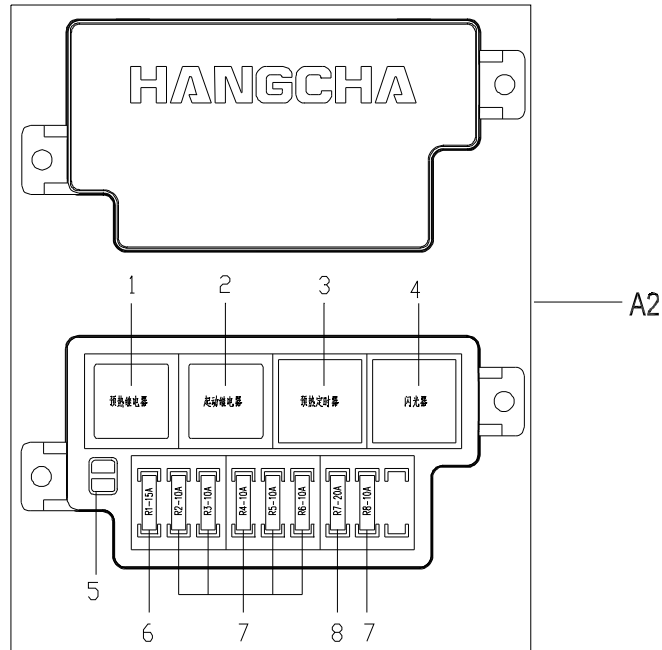
1.0t-3.8t,全部车型 All models of truck
 G2,G32, W10,W27,W67, G2J,



序号 Item	物料码 Part No.	名称 Description	数量 Qty	备注或适用车型 Remarks or Serial No.
A1	BX-306	控制盒总成 Control box assy	1	<2014-07-01
A2	A300-704000-000	控制盒总成 Control box assy	1	≥2014-07-01 除外/Except (A3) (B3) 手动换向 Manual control Commutation
A2	A300-705000-000	控制盒总成 Control box assy	1	(A2) (S2) ≥2015-07-01
A2	AE310-704000-000	控制盒总成 Control box assy	1	选配 Optional,电磁阀换向 Solenoid valve Commutation
A2	AE310-704000-000	控制盒总成 Control box assy	1	(A3) (B3) AG2E 标配 Standard
1	XB450-706001-000	预热继电器 Pre-heat Relay	1	
2	XB450-706001-000	起动继电器 Start relay	1	
3	XF254-706001-000	预热定时器 Preheat Timer	1	
4	XF250-706003-000	闪光器 Flasher	1	
5	A300-704003-000	拔片器 Stubbs slicer	1	
6	BK/ATC-15	保险丝 15A Fuse 15A	1	
7	BK/ATC-10	保险丝 10A Fuse 10A	6	
8	BK/ATC-20	保险丝 20A Fuse 20A	1	

图 V-1 控制盒总成, 电控发动机
Fig. V-1 Control box assy, Electronically controlled engine

1.0t-3.8t 全部车型 All models of truck
G51,G52, G65,G65J, G70,G70J, G69

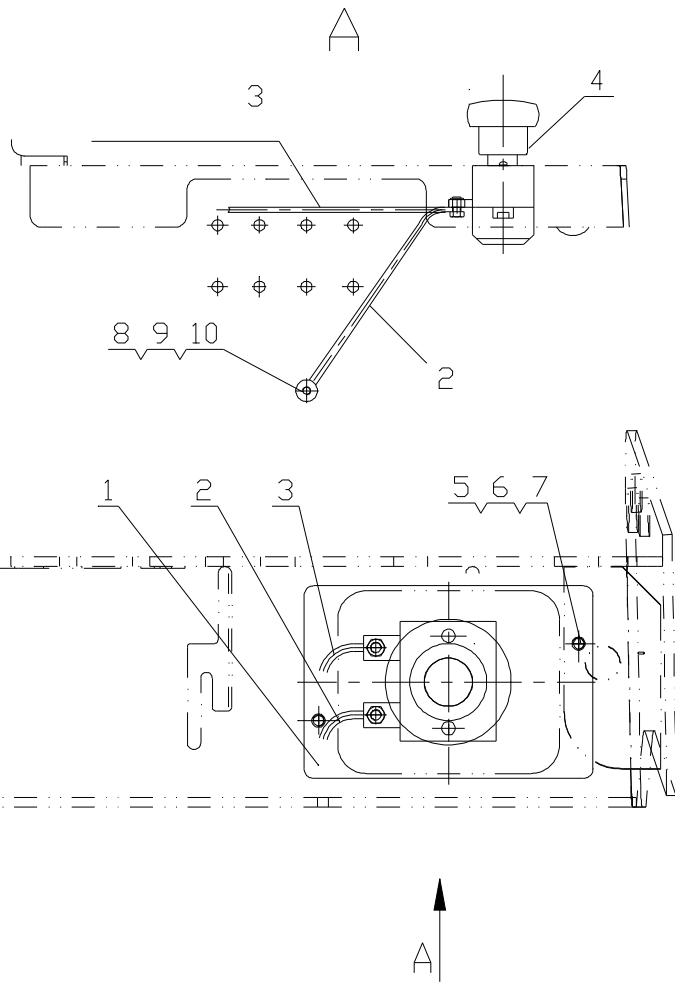


序号 Item	物料码 Part No.	名称 Description	数量 Qty	备注或适用车型 Remarks or Serial No.
A2	A309-704000-000	控制盒总成 Control box assy	1	⓪ ⓪1 ⓪3 ⓪4 ⓐ ⓐ1 ⓐ ⓐ1 ⓐ3 ⓐ4 ⓐ ⓐ1
A2	A309-705000-000	控制盒 Control box	1	ⓐ2 CPC30/35-AG51-Z ⓐ3 CPC30/35-AG51G-Z
A2	A3111-704000-000	控制盒 Control box	1	ⓐ ⓐ1 ⓐ ⓐ1 ⓐ ⓐ1 ⑤ ⑥
A2	A3011-705000-000	控制盒 Control box	1	ⓐ2 ⓐ4 ① ② ③ ④
A2	A3012-704000-000	控制盒 Control box	1	ⓐ ⓐ1 ⓐ ⓐ1 ⓐ ⓐ1 ⓐ ⓐ1
A2	A3012-705000-000	控制盒 Control box	1	ⓐ2 CPC30/35-AG70J-Z ⓐ3 CPC30/35-AG70JG-Z
1	XB450-706001-000	预热继电器 Pre-heat Relay	1	
2	XB450-706001-000	起动机继电器 Start relay	1	
3	XB450-706001-000	电控继电器 Electric control Relay	1	ⓐ ⓐ1 ⓐ ⓐ1 ⓐ ⓐ1 ⓐ ⓐ1 ⓐ ⓐ1
4	XF250-706003-000	闪光器 Flasher	1	
5	A300-704003-000	拔片器 Stubbs slicer	1	
6	BK/ATC-15	保险丝 15A Fuse 15A	1	
7	BK/ATC-10	保险丝 10A Fuse 10A	6	
8	BK/ATC-20	保险丝 20A Fuse 20A	1	除外 /Except ⓐ ⓐ1 ⓐ ⓐ1 ⓐ ⓐ1

图VII 电源总开关总成
Fig.VII Disconnect switch assy

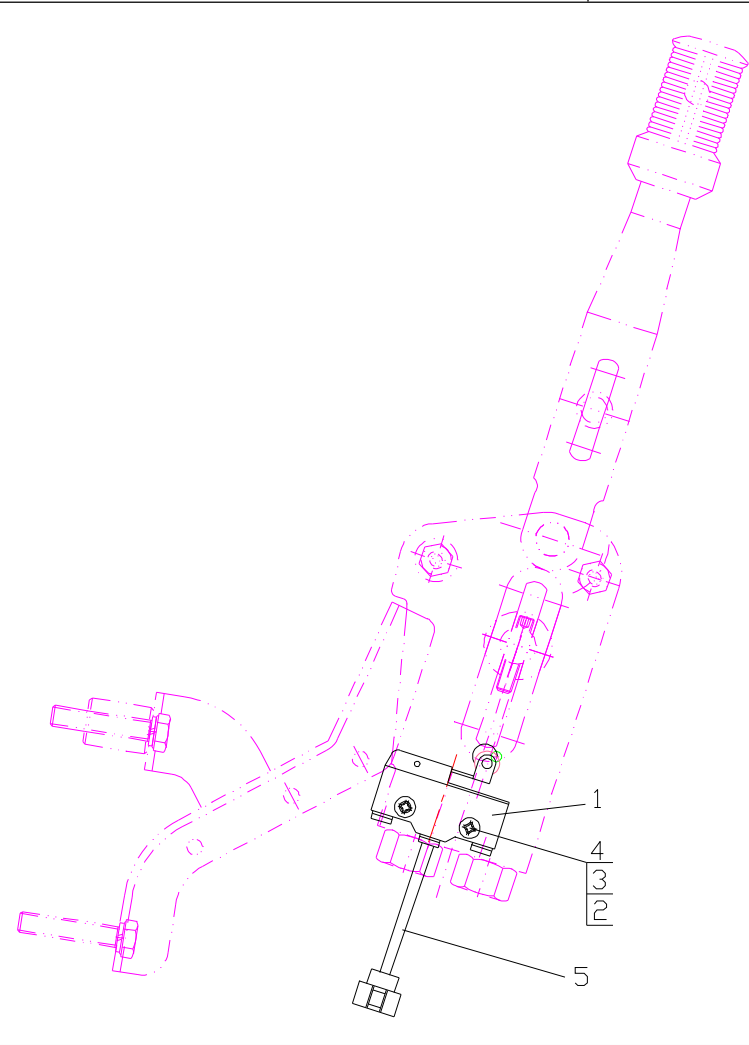
选配 optional
全部车型 All models of truck

序号 Item	物料码 Part No.	名称 Description	数量 Qty	备注或适用车型 Remarks or Serial No.
A1	A300-730000-500	电源总开关总成 disconnect switch assy	1	
1	A300-730001-500	安装板 Mounting plate	1	
2	A300-700200-500	电源开关接地线 Wire	1	
3	A300-700100-500	蓄电池负极接电源开关线 Wire	1	
4	ED250B-1-G00	紧急断电开关 Disconnect switch	1	
5	G005783-006016-00	螺栓 M6×16 Bolt M6×16	2	
6	G0097P1-000006-00	垫圈 6 Gasket 6	2	
7	G000093-000006-00	垫圈 6 Gasket 6	2	
8	G005783-008016-00	螺栓 M8×16 Bolt M8×16	1	
9	G000093-000008-00	垫圈 8 Gasket 8	1	
10	G0097P1-000008-00	垫圈 8 Gasket 8	1	



图Ⅷ 手刹开关总成
 FIG.VIII Hand brake switch assy

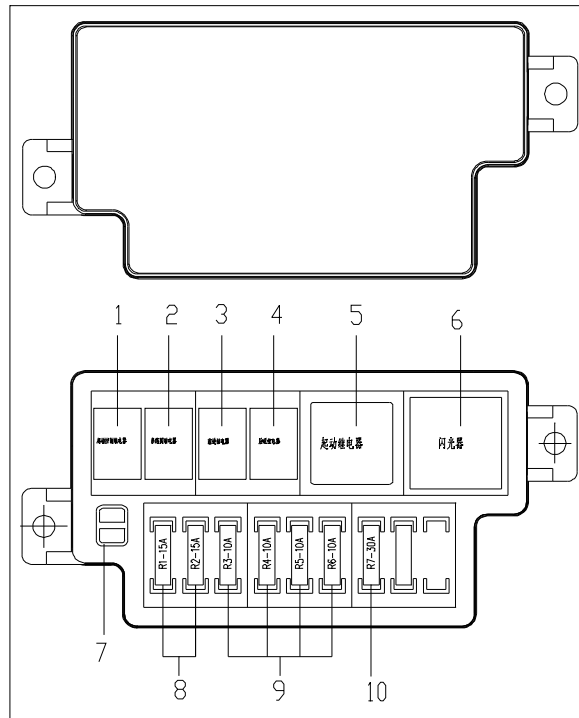
感知系统标配/OPS System Standard
 或选配, Or optional
 全部车型 All models of truck



序号 Item	物料码 Part NO.	名称 Description	数量 Qty	备注或适用车型 Remarks or Serial NO.
A1	NC9419-703000-800	手刹开关总成 Hand brake switch assy	1	包含/INC:1-5
1	NC9419-703001-800	微动开关 Micro switch	1	
2	G000818-004025-00	螺钉 M4×25 Screws M4×25	2	
3	G000093-000004-00	垫圈 4 Gasket 4	2	
4	G0097P1-000004-00	垫圈 4 Gasket 4	2	
5	R960-703100-800	手刹开关线束 Wire harness, hand brake switch	1	

图IX 控制盒总成（感知系统）
Fig.IX Control box assy (OPS System)

全部车型 All models of truck



A1

序号 Item	物料码 Part NO.	名称 Description	数量 Qty	备注或适用车型 Remarks or Serial NO.
A2	A315-704000-900	控制盒总成 Control box assy	1	
1	XB450-706003-000	起动控制继电器 Start Control Relay	1	
2	XB450-706003-000	多路阀继电器 Solenoid Valve Relay	1	
3	XB450-706003-000	前进继电器 Forward Relay	1	
4	XB450-706003-000	后退继电器 Reverse Relay	1	
5	XB450-706001-000	预热继电器 Pre-heat Relay	1	
6	XF250-706003-000	闪光器 Flasher	1	
7	A300-704003-000	拔片器 Stubbs slicer	1	
8	BK/ATC-15	保险丝 15A Fuse 15A	2	
9	BK/ATC-10	保险丝 10A Fuse 10A	4	
10	BK/ATC-30	保险丝 30A Fuse 30A	1	

图 1 电气系统
Fig.1 Electrical system

- | | | | |
|-------------------------------|---------------------------------|----------------------------------|--------------------------------|
| Ⓐ CPC30/35/38-AG2 | Ⓐ ¹ CPCD30/35/38-AG2 | Ⓑ CPC20/25-AG2 | Ⓑ ¹ CPCD20/25-AG2 |
| Ⓐ ² CPC30/35-AG2-Z | Ⓐ ² CPC30/35/38-AG2J | Ⓑ ¹ CPCD30/35/38-AG2J | Ⓑ ² CPC30/35-AG2J-Z |
| Ⓒ CPC20/25-AG2J | Ⓒ ¹ CPCD20/25-AG2J | | |

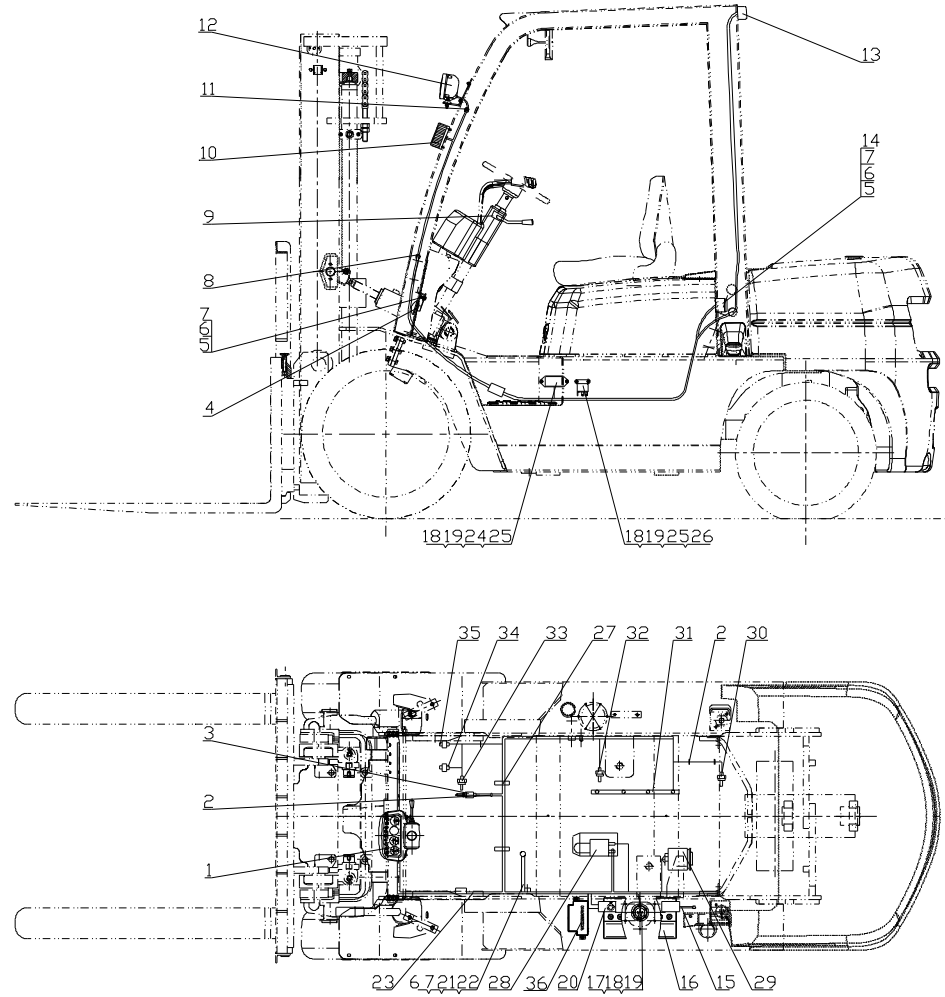


图 1 电气系统
Fig.1 Electrical system

Ⓐ CPC30/35/38-AG2 Ⓐ1 CPCD30/35/38-AG2 Ⓑ CPC20/25-AG2 Ⓑ1 CPCD20/25-AG2
 Ⓐ2 CPC30/35-AG2-Z Ⓒ CPC30/35/38-AG2J Ⓒ1 CPCD30/35/38-AG2J Ⓒ2 CPC30/35-AG2J-Z
 Ⓓ CPC20/25-AG2J Ⓓ1 CPCD20/25-AG2J

序号 Item	物料码 Part No.	名称 Description	数量 Qty	备注或适用车型 Remarks or Serial No.
1		仪表板总成 Dashboard assy	1	见图 I 或图 I-1 See Fig. I or Fig. I-1
2	PKD-50-G00	捆线带 Ties	8	
3	N163-700600-000	制动灯开关 Brake lamp switch	1	
4	N163-700009-000	喇叭 Horn	1	
5	G0029P2-008016-00	螺栓 M8×16 Bolt M8×16	2	
6	G000093-000008-00	垫圈8 Washer 8	3	
7	G0097P1-000008-00	垫圈8 Washer 8	3	
8	A300-700001-000	橡胶塞 Rubber plug	4	
9	FXK-700-G00	转向灯开关 steering lamp switch	1	
10		前小灯 Front combination lamp	2	见图III See Fig.III
11	N163-700002-000	前灯线护套 Front lamp wire sheath	2	
12		前大灯总成 Head lamp-assy,	1	见图III See Fig.III
13		后灯总成 Rear lamp-assy	1	见图IV See Fig. IV
14	N163-700500-000	倒车蜂鸣器 Reverser alarm	1	
15	3E-705000	蓄电池负极引线 Cable, Battery(-)	1	

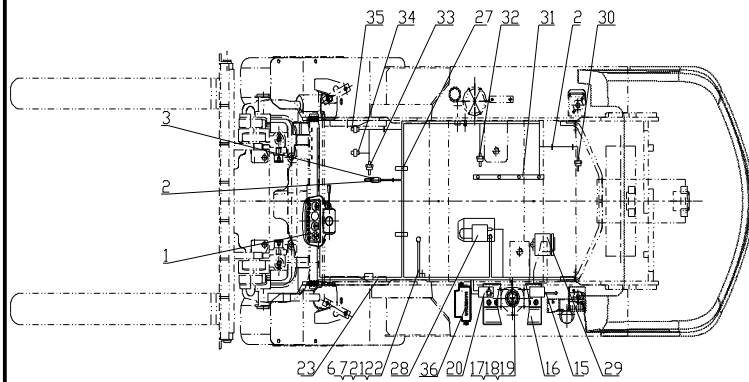
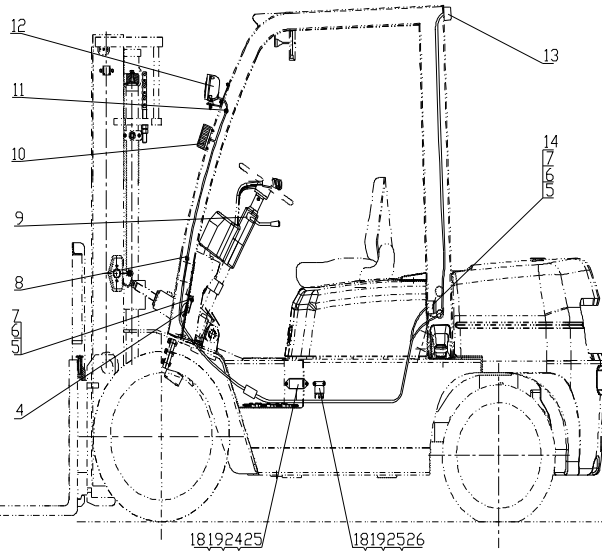


图1 电气系统
Fig.1 Electrical system

- (A) CPC30/35/38-AG2 (A1) CPCD30/35/38-AG2 (B) CPC20/25-AG2 (B1) CPCD20/25-AG2
 (A2) CPC30/35-AG2-Z (S) CPC30/35/38-AG2J (S1) CPCD30/35/38-AG2J (S2) CPC30/35-AG2J-Z
 (T) CPC20/25-AG2J (T1) CPCD20/25-AG2J

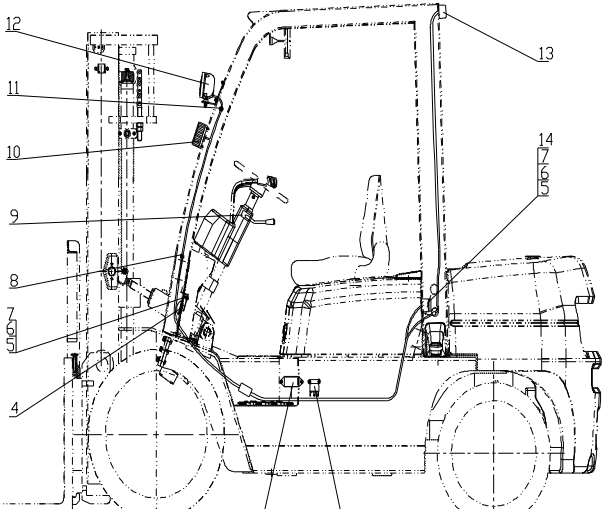
	序号 Item	物料码 Part No.	名称 Description	数量 Qty	备注或适用车型 Remarks or Serial No.
	16	R960-700002-000	少维护蓄电池 Battery, Low-Maintenance	1	12V 90Ah
	17	R960-700400-000	油量传感器 Fuel sensor	1	
	18	G000067-005012-00	螺钉M5×12 Screw M5×12	9	
	19	G000093-000005-00	垫圈 5 Washer 5	9	
	20	3E-704000	蓄电池正极引线 Cable, Battery(+)	1	
	21	R960-700300-000	起动机接地线 Ground cable	1	
	22	G005783-008016-00	螺栓 M8×16 Bolt M8×16	1	
	23	30HB-710000	车身主线束 Main wire-harness	1	(A) (B) <2013-01-01
	23	30DHB-710000	车身主线束 Main wire-harness	1	(A1) (B1) <2013-01-01
	23	A300-710000-000	车身主线束 Main wire-harness	1	<2014-07-01
	23	A300-710000-001	车身主线束 Main wire-harness	1	≥2014-07-01
	24	JFT147-14B-G00	电子调节器 Voltage regulator	1	
	25	G0097P1-000005-00	垫圈 5 Washer 5	4	
	26	JQ1-G00	起动继电器 Starter relay	1	<2014-07-01
	27	30DHB-100001	抱箍 anchor ear	2	(A1) (B1) (S1) (T1)

图2 电气系统
Fig.2 Electrical system

© CPC30/35/38-AG32 Ⓒ CPCD30/35/38-AG32 Ⓓ CPC20/25-AG32 Ⓔ CPCD20/25-AG32
 Ⓒ CPC38-AXG32 Ⓒ CPCD38-AXG32

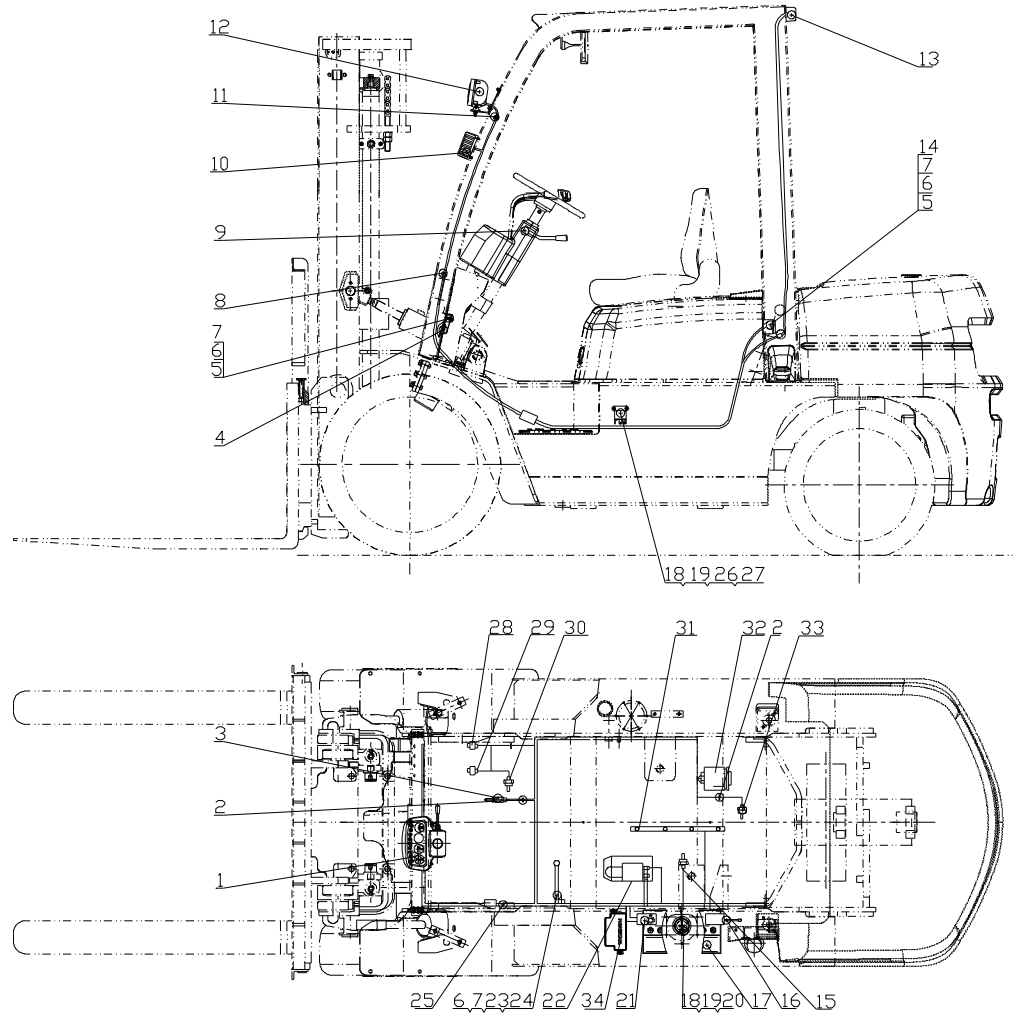


图2 电气系统
Fig.2 Electrical system

© CPC30/35/38-AG32 ©1 CPCD30/35/38-AG32 © D CPC20/25-AG32 ©1 CPCD20/25-AG32
 ©2 CPC38-AXG32 ©3 CPCD38-AXG32

序号 Item	物料码 Part No.	名称 Description	数量 Qty	备注或适用车型 Remarks or Serial No.
1		仪表板总成 Dashboard assy	1	见图 I 或图 I -1 See Fig. I or Fig. I -1
2	PKD-50-G00	捆线带 Ties	8	
3	N163-700600-000	制动灯开关 Brake lamp switch	1	
4	N163-700009-000	喇叭 Horn	1	
5	G0029P2-008016-00	螺栓 M8×16 Bolt M8×16	2	
6	G000093-000008-00	垫圈8 Washer 8	3	
7	G0097P1-000008-00	垫圈8 Washer 8	3	
8	A300-700001-000	橡胶塞 Rubber plug	4	
9	FXK-700-G00	转向灯开关 steering lamp switch	1	
10		前小灯 Front combination lamp	2	见图III See Fig.III
11	N163-700002-000	前灯线护套 Front lamp wire sheath	2	
12		前大灯总成 Head lamp-assy,	1	见图III See Fig.III
13		后灯总成 Rear lamp-assy	1	见图IV See Fig. IV
14	N163-700500-000	倒车蜂鸣器 Reverser alarm	1	
15	3818020-X2	油压报警器 Oil pressure alarm	1	发动机配 Supply by engine

图2 电气系统
Fig.2 Electrical system

© CPC30/35/38-AG32 ©1 CPCD30/35/38-AG32 © D CPC20/25-AG32 ©1 CPCD20/25-AG32
 ©2 CPC38-AXG32 ©3 CPCD38-AXG32

序号 Item	物料码 Part No.	名称 Description	数量 Qty	备注或适用车型 Remarks or Serial No.
16	3E-705000	蓄电池负极引线 Cable, Battery(-)	1	
17	R960-700002-000	少维护蓄电池 Battery, Low-Maintenance	1	12V 90Ah
18	G000067-005012-00	螺钉 M5×12 Screw M5×12	7	
19	G000093-000005-00	垫圈 5 Washer 5	7	
20	R960-700400-000	油量传感器 Fuel sensor	1	
21	3E-704000	蓄电池正极引线 Cable, Battery(+)	1	
22	3708010-X12	起动机 Starter	1	发动机配 Supply by engine
23	R960-700300-000	起动机接地线 Ground cable	1	
24	G005783-008016-00	螺栓 M8×16 Bolt M8×16	1	
25	30HBG32-710000	车身主线束 Main wire-harness	1	© © <2013-01-01
25	35DHBG32-710000	车身主线束 Main wire-harness	1	©1 ©1 <2013-01-01
25	A301-710000-000	车身主线束 Main wire-harness	1	<2014-07-01
25	A301-710000-001	车身主线束 Main wire-harness	1	≥2014-07-01
26	G0097P1-000005-00	垫圈 5 Washer 5	2	
27	JQ1-G00	起动机继电器 Starter relay	1	<2014-07-01

图3 电气系统
Fig.3 Electrical system

Ⓔ CPC30-AW10
Ⓔ CPC30-AXW10

Ⓔ CPCD30-AW10
Ⓔ CPCD30-AXW10

Ⓔ CPC20/25-AW10

Ⓔ CPCD20/25-AW10

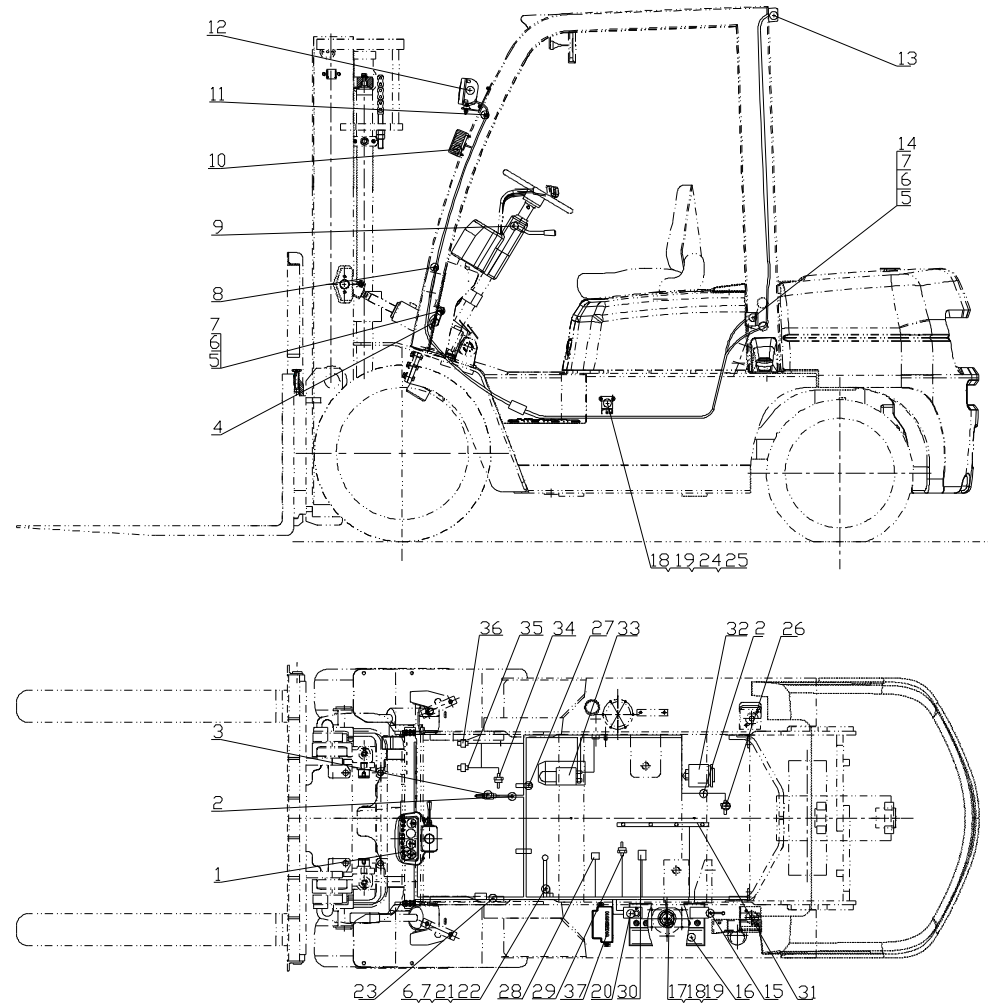


图3 电气系统
Fig.3 Electrical system

Ⓔ CPC30-AW10
Ⓔ CPC30-AXW10

Ⓔ CPCD30-AW10
Ⓔ CPCD30-AXW10

Ⓔ CPC20/25-AW10

Ⓔ CPCD20/25-AW10

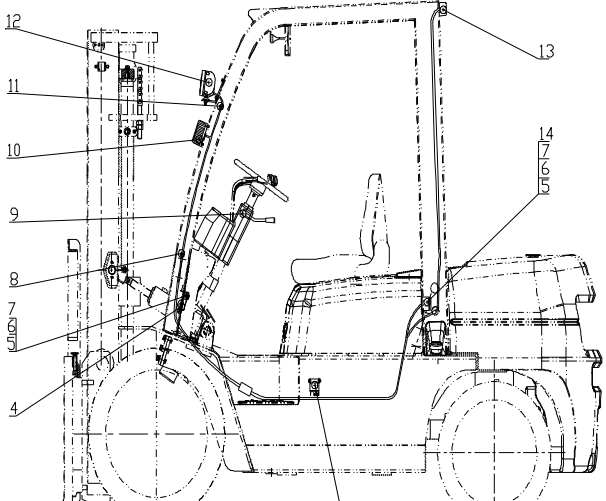
	序号 Item	物料码 Part No.	名称 Description	数量 Qty	备注或适用车型 Remarks or Serial No.
	1		仪表板总成 Dashboard assy	1	见图 I 或图 I -1 See Fig. I or Fig. I -1
	2	PKD-50-G00	捆线带 Ties	8	
	3	N163-700600-000	制动灯开关 Brake lamp switch	1	
	4	N163-700009-000	喇叭 Horn	1	
	5	G0029P2-008016-00	螺栓 M8×16 Bolt M8×16	2	
	6	G000093-000008-00	垫圈8 Washer 8	3	
	7	G0097P1-000008-00	垫圈8 Washer 8	3	
	8	A300-700001-000	橡胶塞 Rubber plug	4	
	9	FXK-700-G00	转向灯开关 steering lamp switch	1	
	10		前小灯 Front combination lamp	2	见图III See Fig.III
	11	N163-700002-000	前灯线护套 Front lamp wire sheath	2	
	12		前大灯总成 Head lamp-assy,	1	见图III See Fig.III
	13		后灯总成 Rear lamp-assy	1	见图IV See Fig. IV
	14	N163-700500-000	倒车蜂鸣器 Reverser alarm	1	
	15	3E-705000	蓄电池负极引线 Cable, Battery(-)	1	

图3 电气系统
Fig.3 Electrical system

Ⓔ CPC30-AW10
Ⓔ CPC30-AXW10

Ⓔ CPCD30-AW10
Ⓔ CPCD30-AXW10

Ⓔ CPC20/25-AW10

Ⓔ CPCD20/25-AW10

序号 Item	物料码 Part No.	名称 Description	数量 Qty	备注或适用车型 Remarks or Serial No.	
	16	R960-700002-000	少维护蓄电池 Battery, Low-Maintenance	1	12V 90Ah
	17	G000067-005012-00	螺钉M5×12 Screw M5×12	7	
	18	G000093-000005-00	垫圈 5 Washer 5	7	
	19	R960-700400-000	油量传感器 Fuel sensor	1	
	20	30DHW13-701000	蓄电池正极引线 Cable, Battery(+)	1	
	21	R960-700300-000	起动机接地线 Ground cable	1	
	22	G005783-008016-00	螺栓 M8×16 Bolt M8×16	1	
	23	A307-710000-000	车身主线束 Main wire-harness	1	<2014-07-01
	23	A307-710000-001	车身主线束 Main wire-harness	1	≥2014-07-01
	24	G0097P1-000005-00	垫圈 5 Washer 5	2	
	25	JQ1-G00	起动继电器 Starter relay	1	<2014-07-01
	26	NC9321-700006-001	水温传感器 Water temp sensor	1	
	27	30DHB-100001	抱箍 anchor ear	2	Ⓔ Ⓔ Ⓔ
	28		油水分离报警 Water-oil separation alarm	1	发动机配 Supply by engine
	29		油压报警器 Oil pressure alarm	1	发动机配 Supply by engine

图4 电气系统
Fig.4 Electrical system

Ⓒ CPC30/35/38-AW13 Ⓓ CPCD30/35/38-AW13 Ⓔ CPC20/25-AW13 Ⓕ CPCD20/25-AW13

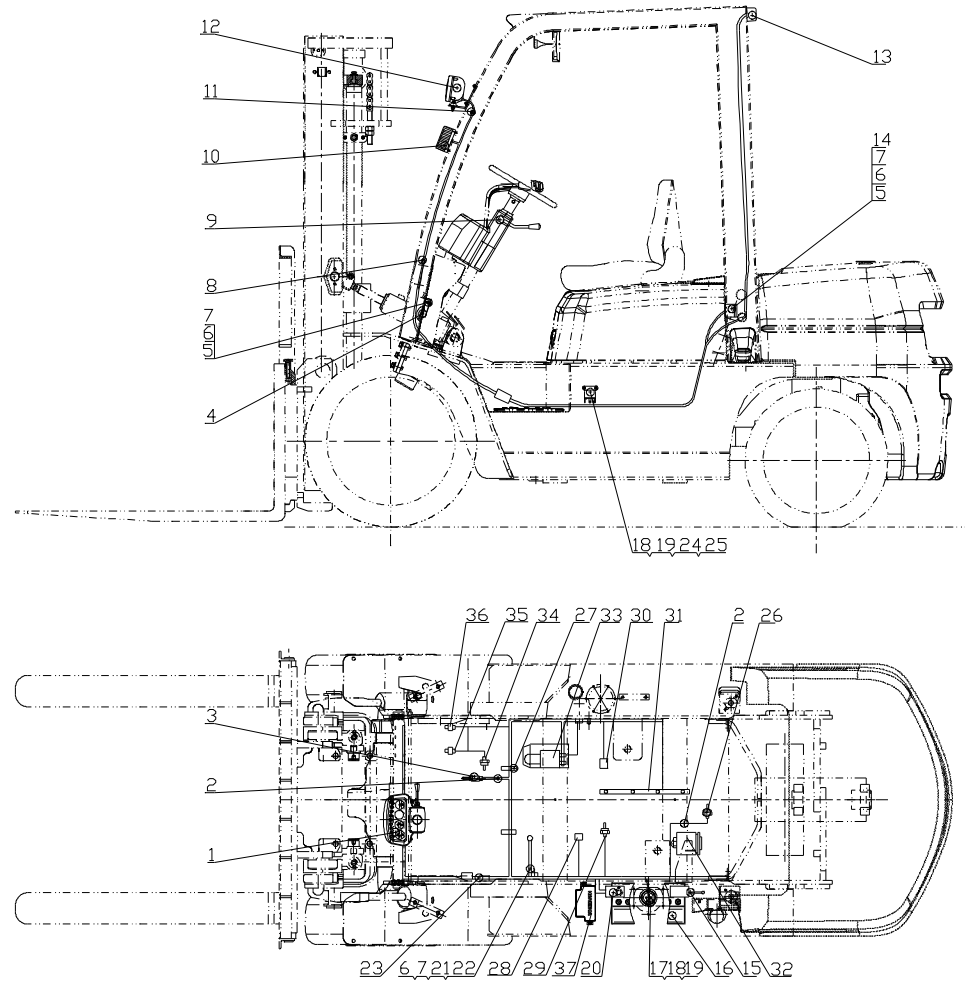


图4 电气系统
Fig.4 Electrical system

© CPC30/35/38-AW13 © CPCD30/35/38-AW13 © CPC20/25-AW13 © CPCD20/25-AW13

序号 Item	物料码 Part No.	名称 Description	数量 Qty	备注或适用车型 Remarks or Serial No.
1		仪表板总成 Dashboard assy	1	见图 I 或图 I-1 See Fig. I or Fig. I-1
2	PKD-50-G00	捆线带 Ties	8	
3	N163-700600-000	制动灯开关 Brake lamp switch	1	
4	N163-700009-000	喇叭 Horn	1	
5	G0029P2-008016-00	螺栓 M8×16 Bolt M8×16	2	
6	G000093-000008-00	垫圈8 Washer 8	3	
7	G0097P1-000008-00	垫圈8 Washer 8	3	
8	A300-700001-000	橡胶塞 Rubber plug	4	
9	FXK-700-G00	转向灯开关 steering lamp switch	1	标配 Standard
9	AE310-705000-000	组合开关 Combination switch assy	1	电磁阀换向 Solenoid valve Commutation
10		前小灯 Front combination lamp	2	见图III See Fig.III
11	N163-700002-000	前灯线护套 Front lamp wire sheath	2	
12	A300-760000-000	前大灯总成 Head lamp-assy,	1	见图III See Fig.III
13	A300-701000-000	后灯总成 Rear lamp-assy	1	见图IV See Fig. IV
14	N163-700500-000	倒车蜂鸣器 Reverser alarm	1	

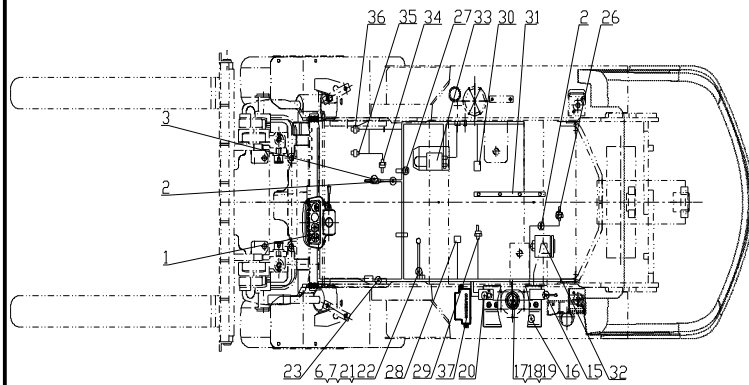
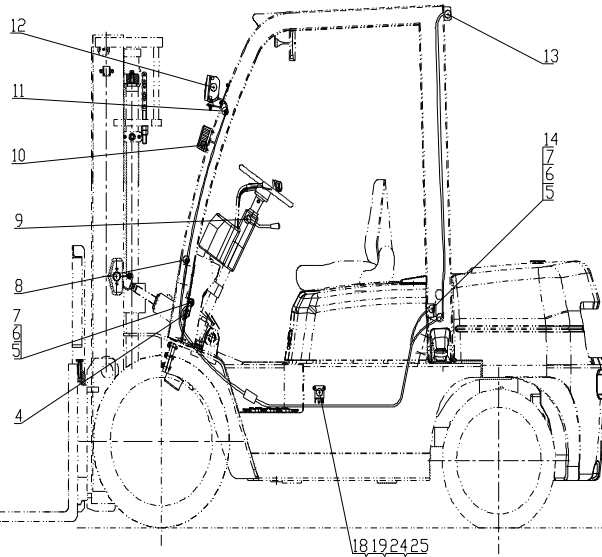


图4 电气系统
Fig.4 Electrical system

© CPC30/35/38-AW13 © CPCD30/35/38-AW13 ④ CPC20/25-AW13 ④ CPCD20/25-AW13

序号 Item	物料码 Part No.	名称 Description	数量 Qty	备注或适用车型 Remarks or Serial No.
15	3E-705000	蓄电池负极引线 Cable, Battery(-)	1	
16	R960-700002-000	少维护蓄电池 Battery, Low-Maintenance	1	12V 90Ah
17	R960-700400-000	油量传感器 Fuel sensor	1	
18	G000093-000005-00	垫圈 5 Washer 5	7	
19	G000067-005012-00	螺钉 M5×12 Screw M5×12	7	
20	30DHW13-701000	蓄电池正极引线 Cable, Battery(+)	1	
21	R960-700300-000	起动机接地线 Ground cable	1	
22	G005783-008016-00	螺栓 M8×16 Bolt M8×16	1	
23	A302-710000-000	车身主线束 Main wire-harness	1	<2014-07-01
23	A302-710000-001	车身主线束 Main wire-harness	1	≥2014-07-01 标配 Standard
23	A312-710000-500	车身主线束 Main wire-harness	1	电磁阀换向 Solenoid valve Commutation
24	G0097P1-000005-00	垫圈 5 Washer 5	2	
25	JQ1-G00	起动继电器 Starter relay	1	<2014-07-01
25	H24C2-40601-G00	控制盒 Control box	1	电磁阀换向 Solenoid valve Commutation
26	NC9321-700006-001	水温传感器 Water temp sensor	1	

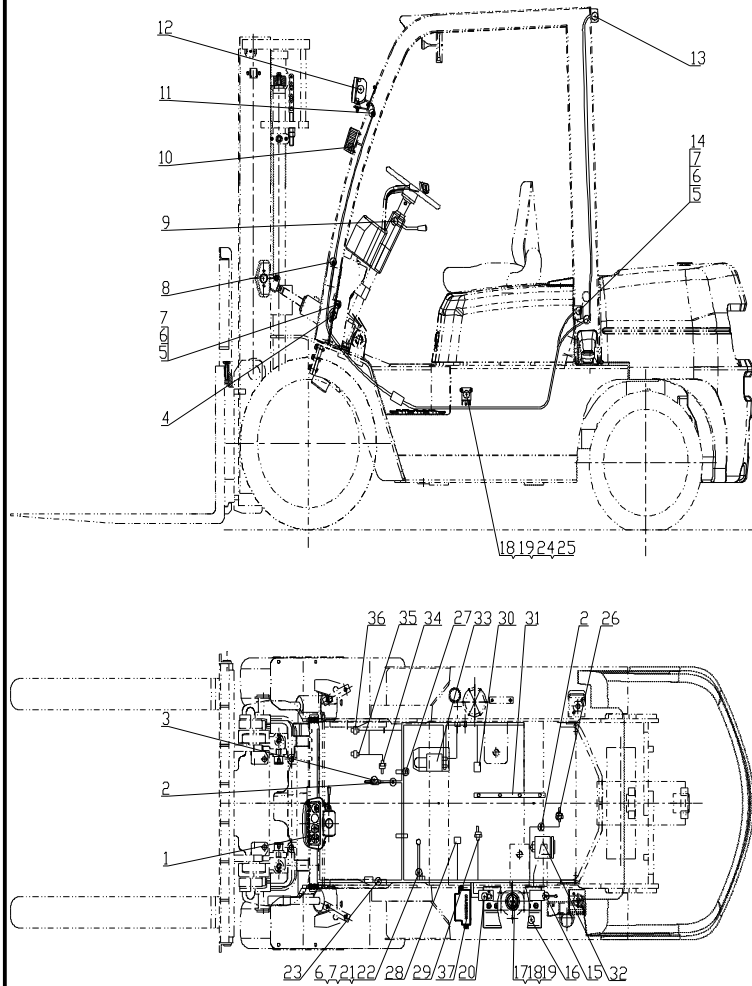


图 5 电气系统
Fig.5 Electrical system

- | | | | |
|--------------------|----------------------|-----------------|-------------------|
| ① CPC30/35/38-AW27 | ①① CPCD30/35/38-AW27 | ① CPC20/25-AW27 | ①① CPCD20/25-AW27 |
| ①① CPCD30/35-AW67 | ①① CPCD20/25-AW67 | | |

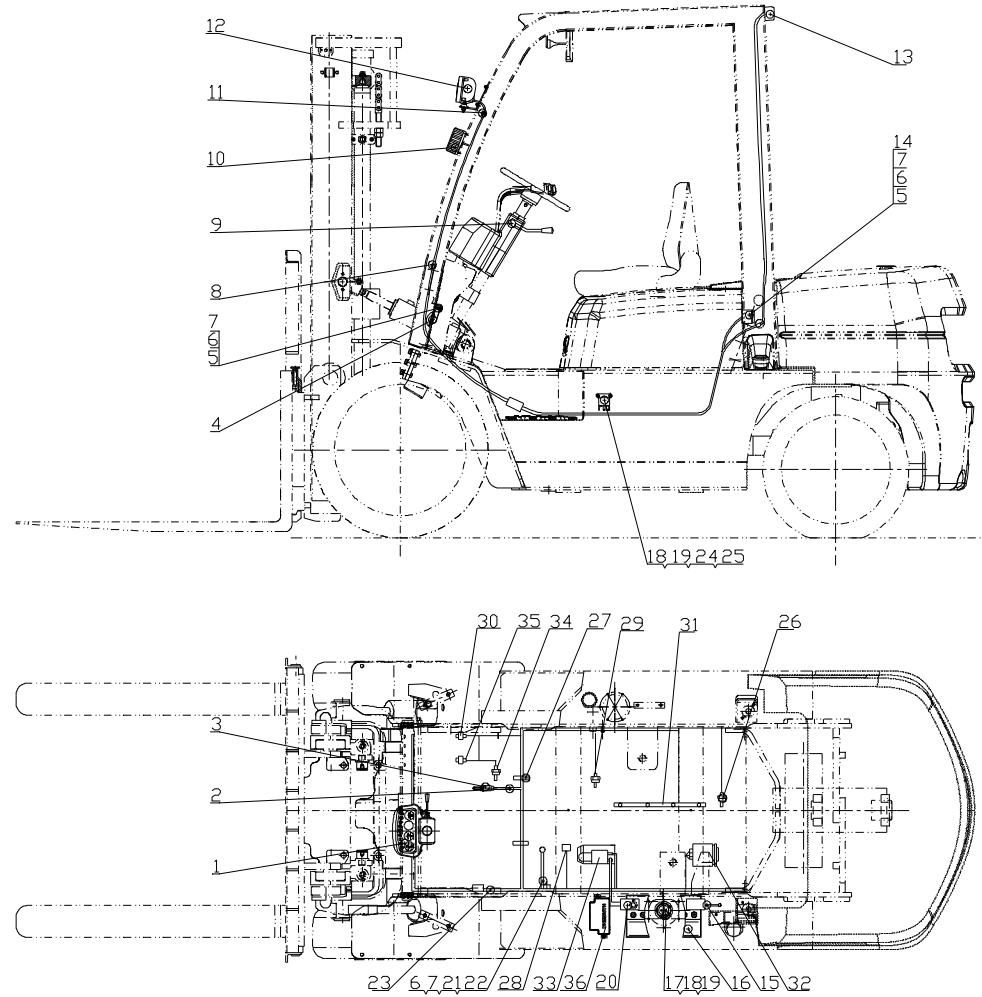
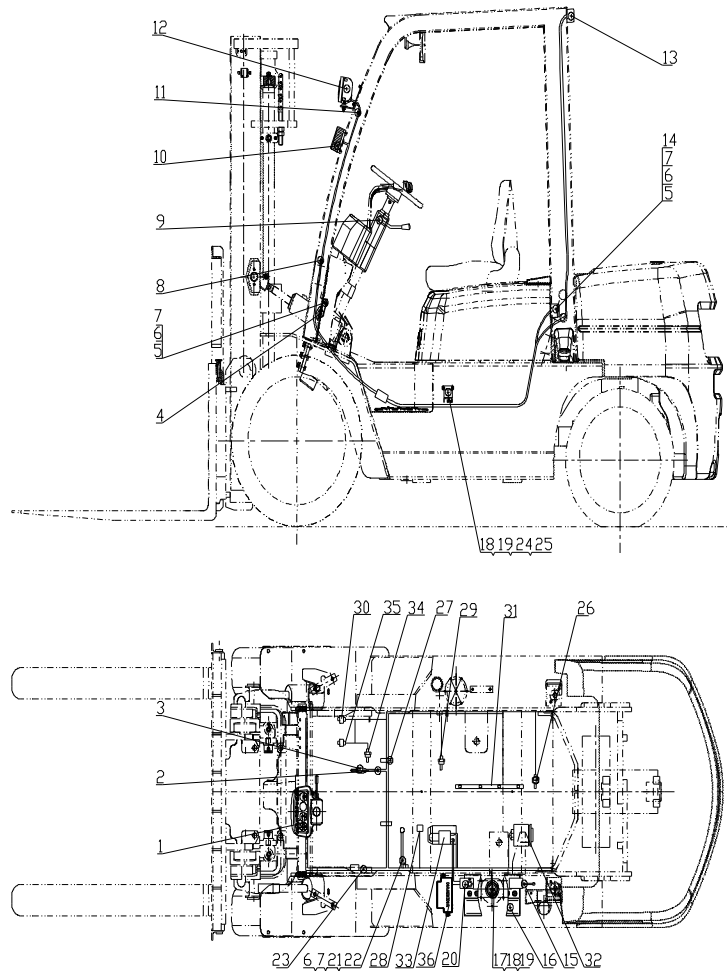


图5 电气系统
Fig.5 Electrical system

① CPC30/35/38-AW27 ①① CPCD30/35/38-AW27 ② CPC20/25-AW27 ②① CPCD20/25-AW27
③ CPC30/35-AW67 ③① CPCD20/25-AW67



序号 Item	物料码 Part No.	名称 Description	数量 Qty	备注或适用车型 Remarks or Serial No.
1		仪表板总成 Dashboard assy	1	见图 I 或图 I-1 See Fig. I or Fig. I-1
2	PKD-50-G00	捆线带 Ties	8	
3	N163-700600-000	制动灯开关 Brake lamp switch	1	
4	N163-700009-000	喇叭 Horn	1	
5	G0029P2-008016-00	螺栓 M8×16 Bolt M8×16	2	
6	G000093-000008-00	垫圈8 Washer 8	3	
7	G0097P1-000008-00	垫圈8 Washer 8	3	
8	A300-700001-000	橡胶塞 Rubber plug	4	
9	FXK-700-G00	转向灯开关 steering lamp switch	1	标配 Standard
9	AE310-705000-000	组合开关 Combination switch assy	1	电磁阀换向 Solenoid valve Commutation
10		前小灯 Front combination lamp	2	见图III See Fig.III
11	N163-700002-000	前灯线护套 Front lamp wire sheath	2	
12		前大灯总成 Head lamp-assy,	1	见图III See Fig.III
13		后灯总成 Rear lamp-assy	1	见图IV See Fig. IV
14	N163-700500-000	倒车蜂鸣器 Reverser alarm	1	

图5 电气系统
Fig.5 Electrical system

① CPC30/35/38-AW27 ①① CPCD30/35/38-AW27 ② CPC20/25-AW27 ②① CPCD20/25-AW27
③ CPCD30/35-AW67 ③① CPCD20/25-AW67

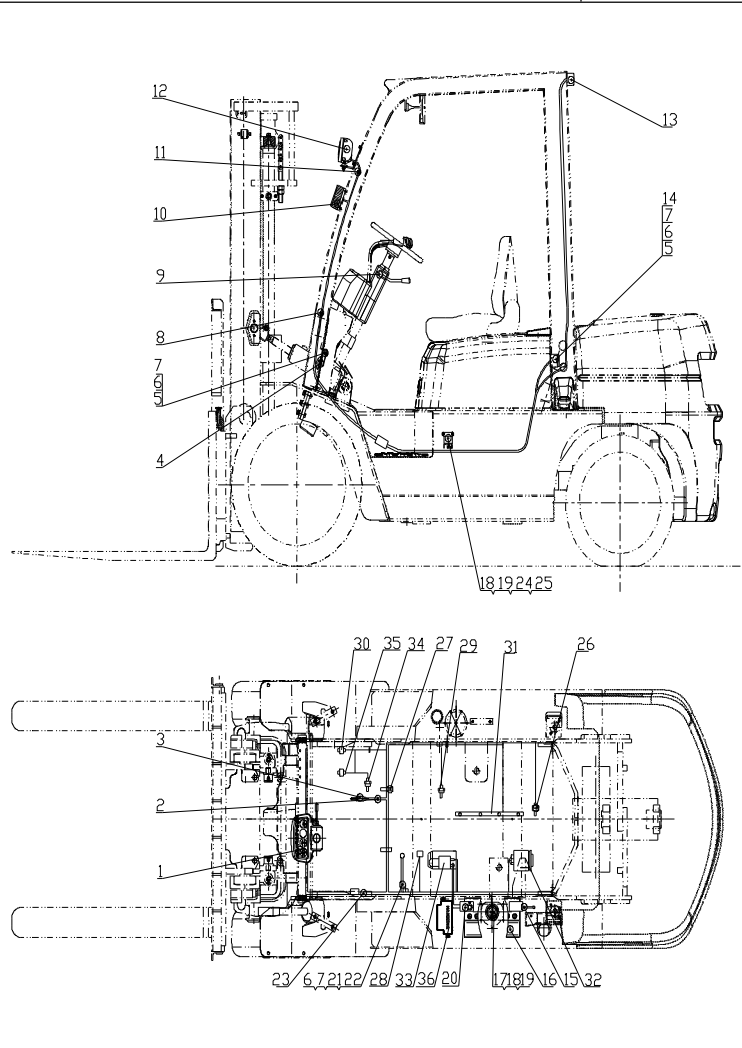
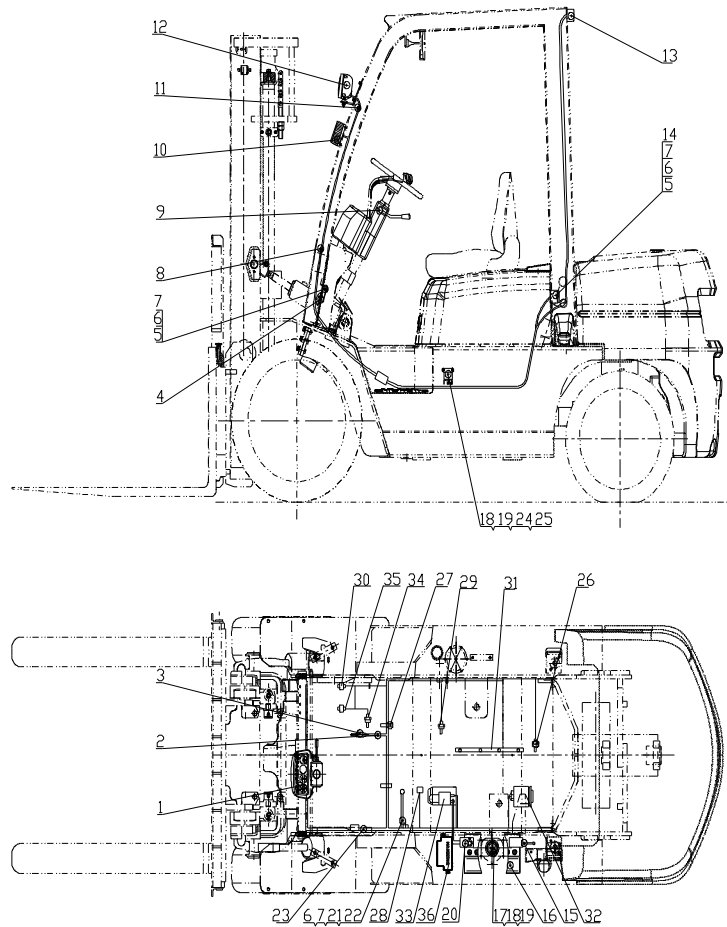
	序号 Item	物料码 Part No.	名称 Description	数量 Qty	备注或适用车型 Remarks or Serial No.
	15	3E-705000	蓄电池负极引线 Cable, Battery(-)	1	
	16	R960-700002-000	少维护蓄电池 Battery, Low-Maintenance	1	12V 90Ah
	17	G000067-005012-00	螺钉M5×12 Screw M5×12	7	
	18	G000093-000005-00	垫圈 5 Washer 5	7	
	19	R960-700400-000	油量传感器 Fuel sensor	1	
	20	30DH-701000	蓄电池正极引线 Cable, Battery(+)	1	
	21	R960-700300-000	起动机接地线 Ground cable	1	
	22	G005783-008016-00	螺栓 M8×16 Bolt M8×16	1	
	23	A305-710000-000	车身主线束 Main wire-harness	1	<2014-07-01
	23	A305-710000-001	车身主线束 Main wire-harness	1	≥2014-07-01 标配 Standard
	23	A315-710000-500	车身主线束 Main wire-harness	1	电磁阀换向 Solenoid valve Commutation
	24	G0097P1-000005-00	垫圈 5 Washer 5	2	
	25	JQ1-G00	起动继电器 Starter relay	1	<2014-07-01
	25	H24C2-40601-G00	控制盒 Control box	1	电磁阀换向 Solenoid valve Commutation
	26	NC9321-700006-001	水温传感器 Water temp sensor	1	

图5 电气系统
Fig.5 Electrical system

① CPC30/35/38-AW27 ①① CPCD30/35/38-AW27 ①② CPC20/25-AW27 ①③ CPCD20/25-AW27
④ CPCD30/35-AW67 ④① CPCD20/25-AW67



序号 Item	物料码 Part No.	名称 Description	数量 Qty	备注或适用车型 Remarks or Serial No.
27	30DHB-100001	抱箍 anchor ear	2	①① ①②
28		油水分离报警 Water-oil separation alarm	1	发动机配 Supply by engine
29		油压报警器 Oil pressure alarm	1	发动机配 Supply by engine
30		空档起动开关 Neutral switch	1	见第一部分 变速箱 See Part I gearbox
31		预热塞 Glow plug	1	发动机配 Supply by engine
32		发电机 Alternator	1	发动机配 Supply by engine
33		起动机 Starter	1	发动机配 Supply by engine
34	A310-710001-000	油温传感器 Oil temperature sensor	1	①① ①② ④① ④② WG-2K(RC1/2)
35		倒车灯开关 Reversing light switch	1	见第一部分 变速箱 See Part I gearbox
36	A300-704000-000	控制盒 Control box	1	≥2014-07-01 见图 V See Fig. V

图6 电气系统
Fig.6 Electrical system

Ⓚ CPQ30/35/38-AW7

Ⓚ1 CPQD30/35/38-AW7

Ⓚ CPQ20/25-AW7

Ⓚ1 CPQD20/25-AW7

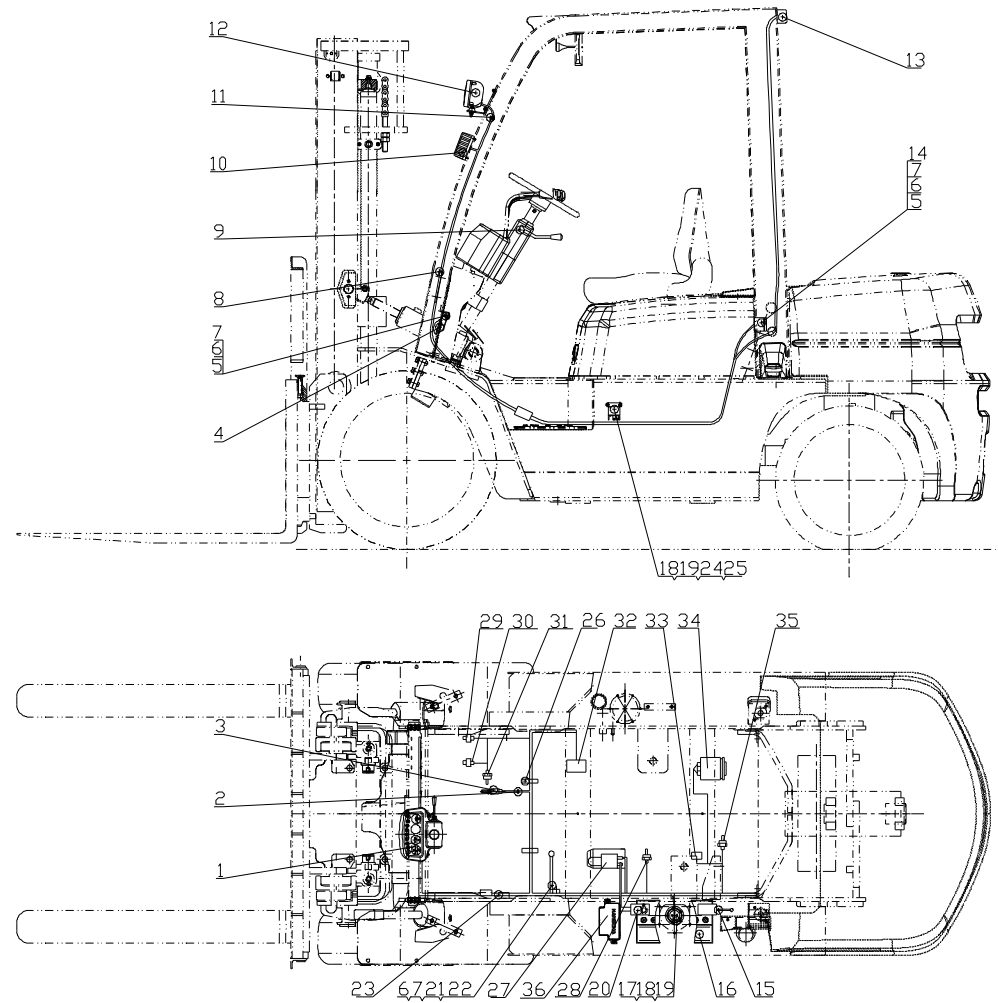


图6 电气系统
Fig.6 Electrical system

Ⓚ CPQ30/35/38-AW7 Ⓚ CPQD30/35/38-AW7 Ⓚ CPQ20/25-AW7 Ⓚ CPQD20/25-AW7

序号 Item	物料码 Part No.	名称 Description	数量 Qty	备注或适用车型 Remarks or Serial No.
1		仪表板总成 Dashboard assy	1	见图 I 或图 I-1 See Fig. I or Fig. I-1
2	PKD-50-G00	捆线带 Ties	8	
3	N163-700600-000	制动灯开关 Brake lamp switch	1	
4	N163-700009-000	喇叭 Horn	1	
5	G0029P2-008016-00	螺栓 M8×16 Bolt M8×16	2	
6	G000093-000008-00	垫圈8 Washer 8	3	
7	G0097P1-000008-00	垫圈8 Washer 8	3	
8	A300-700001-000	橡胶塞 Rubber plug	4	
9	FXK-700-G00	转向灯开关 steering lamp switch	1	
10		前小灯 Front combination lamp	2	见图III See Fig.III
11	N163-700002-000	前灯线护套 Front lamp wire sheath	2	
12		前大灯总成 Head lamp-assy,	1	见图III See Fig.III
13		后灯总成 Rear lamp-assy	1	见图IV See Fig. IV
14	N163-700500-000	倒车蜂鸣器 Reverser alarm	1	
15	3E-705000	蓄电池负极引线 Cable, Battery(-)	1	

图6 电气系统
Fig.6 Electrical system

Ⓚ CPQ30/35/38-AW7 Ⓚ CPQD30/35/38-AW7 Ⓚ CPQ20/25-AW7 Ⓚ CPQD20/25-AW7

序号 Item	物料码 Part No.	名称 Description	数量 Qty	备注或适用车型 Remarks or Serial No.
16	R840-700001-000	少维护蓄电池 Battery, Low-Maintenance	1	12V 60Ah
17	G000067-005012-00	螺钉M5×12 Screw M5×12	7	
18	G000093-000005-00	垫圈 5 Washer 5	7	
19	R960-700400-000	油量传感器 Fuel sensor	1	
20	3E-704000	蓄电池正极引线 Cable, Battery(+)	1	
21	R960-700300-000	起动机接地线 Ground cable	1	
22	G005783-008016-00	螺栓 M8×16 Bolt M8×16	1	
23	A306-710000-000	车身主线束 Main wire-harness	1	<2014-07-01
23	A306-710000-001	车身主线束 Main wire-harness	1	≥2014-07-01
24	G0097P1-000005-00	垫圈 5 Washer 5	2	
25	JQ1-G00	起动继电器 Starter relay	1	<2014-07-01
26	30DHB-100001	抱箍 anchor ear	2	Ⓚ Ⓚ
27		起动机 Starter	1	发动机配 Supply by engine
28		油压报警器 Oil pressure alarm	1	发动机配 Supply by engine
29		倒车灯开关 Reversing light switch	1	见第一部分 变速箱 See Part I gearbox

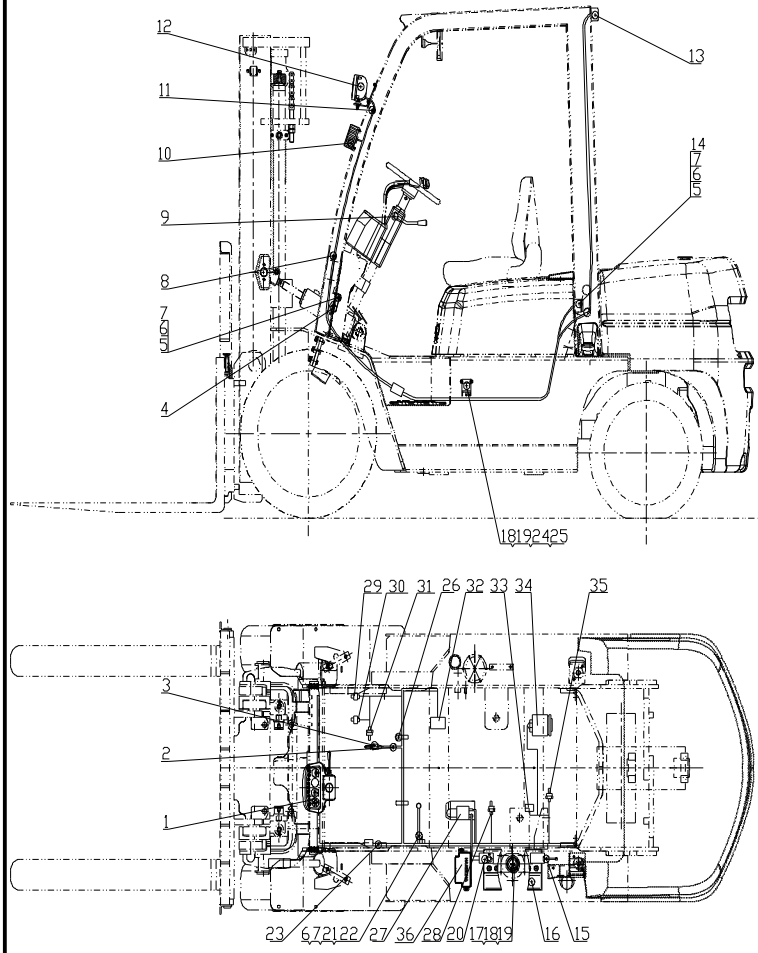


图7 电气系统
Fig.7 Electrical system

Ⓐ) CPCD30/35/38-AG2 Ⓑ) CPCD20/25-AG2
Ⓒ) CPCD30/35/38-AG2E Ⓓ) CPCD20/25-AG2E

电磁阀换向 Solenoid
valve Commutation

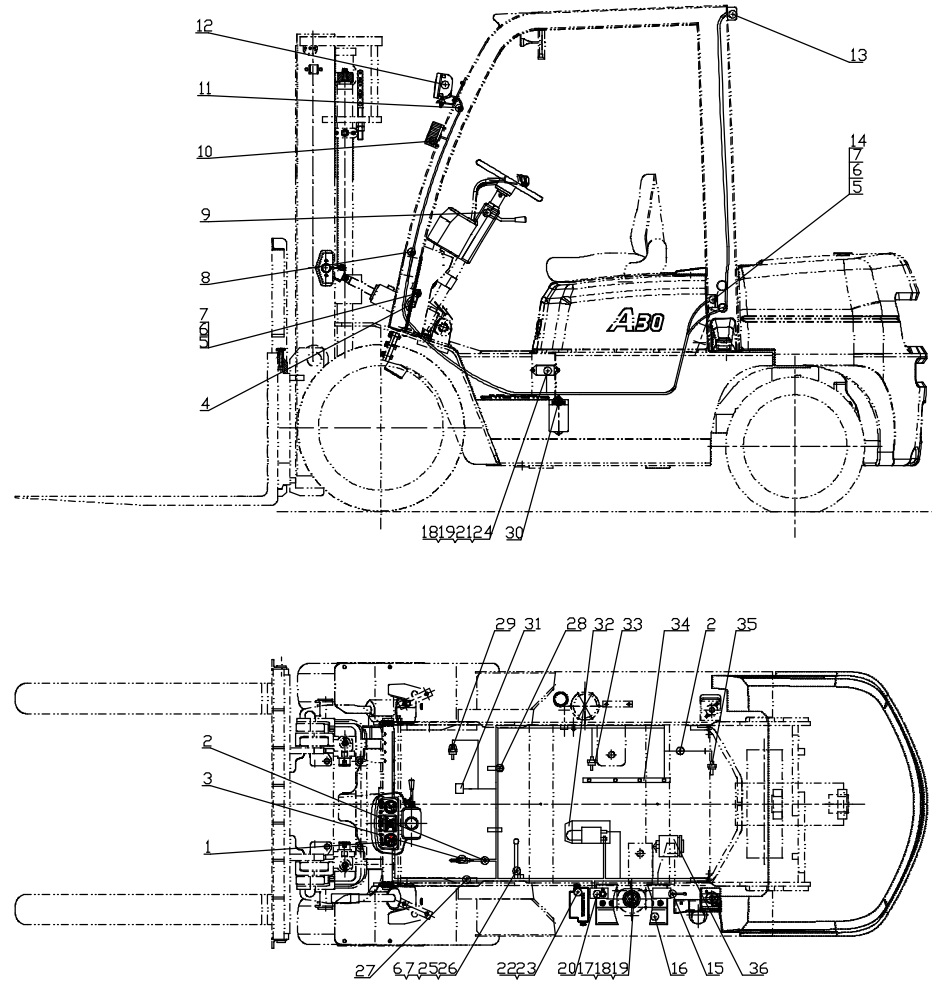
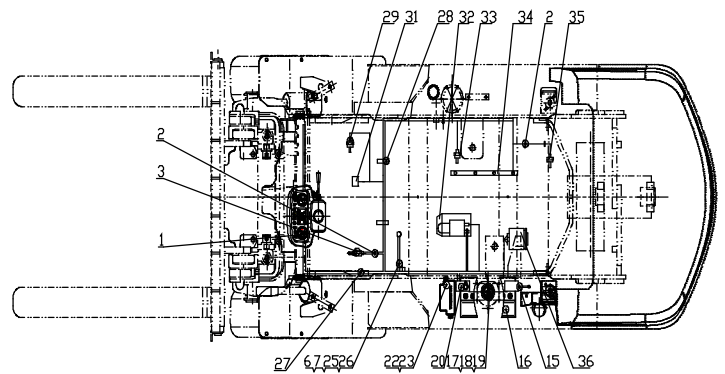
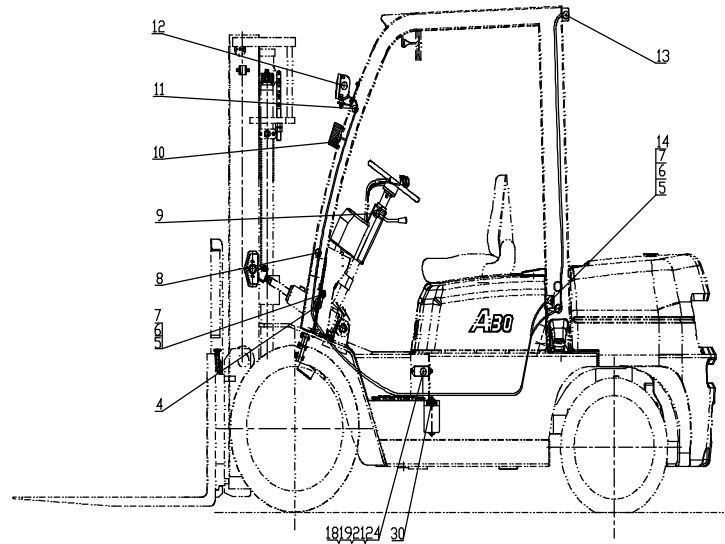


图7 电气系统
Fig.7 Electrical system

Ⓐ) CPCD30/35/38-AG2 Ⓑ) CPCD20/25-AG2
Ⓒ) CPCD30/35/38-AG2E Ⓓ) CPCD20/25-AG2E

电磁阀换向 Solenoid
valve Commutation

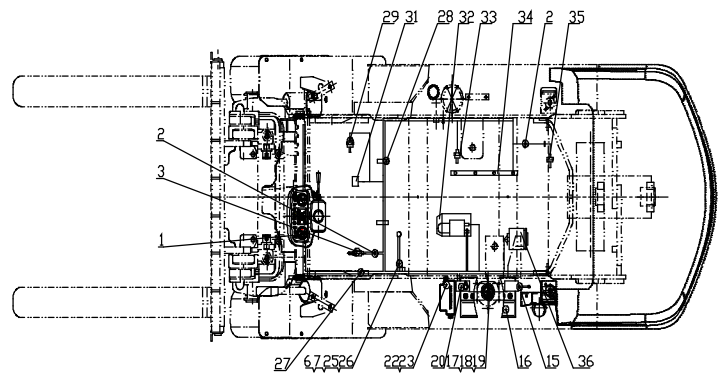
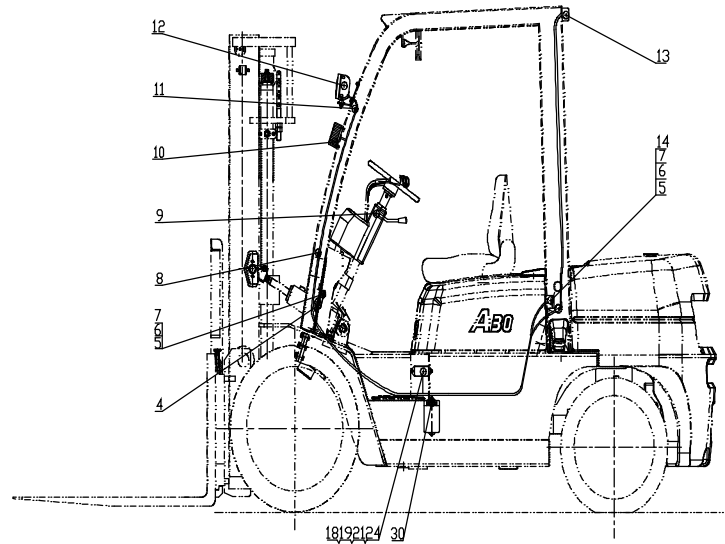


序号 Item	物料码 Part No.	名称 Description	数量 Qty	备注或适用车型 Remarks or Serial No.
1		仪表板总成 Dashboard assy	1	见图 I -1 See Fig. I -1
2	PKD-50-G00	捆线带 Ties	8	
3	N163-700600-000	制动灯开关 Brake lamp switch	1	
4	N163-700009-000	喇叭 Horn	1	
5	G0029P2-008016-00	螺栓 M8×16 Bolt M8×16	2	
6	G000093-000008-00	垫圈8 Washer 8	3	
7	G0097P1-000008-00	垫圈8 Washer 8	3	
8	A300-700001-000	橡胶塞 Rubber plug	4	
9	AE310-705000-000	组合开关总 Combination switch assembly	1	见图VI See Fig.VI
10		前小灯 Front combination lamp	2	见图III See Fig.III
11	N163-700002-000	前灯线护套 Front lamp wire sheath	2	
12		前大灯总成 Head lamp-assy,	1	见图III See Fig.III
13		后灯总成 Rear lamp-assy	1	见图IV See Fig. IV
14	N163-700500-000	倒车蜂鸣器 Reverser alarm	1	
15	3E-705000	蓄电池负极引线 Cable, Battery(-)	1	

图7 电气系统
Fig.7 Electrical system

Ⓐ1 CPCD30/35/38-AG2 Ⓑ1 CPCD20/25-AG2
Ⓐ3 CPCD30/35/38-AG2E Ⓑ3 CPCD20/25-AG2E

电磁阀换向 Solenoid
valve Commutation



序号 Item	物料码 Part No.	名称 Description	数量 Qty	备注或适用车型 Remarks or Serial No.
16	R960-700002-000	少维护蓄电池 Battery, Low-Maintenance	1	12V 90Ah
17	R960-700400-000	油量传感器 Fuel sensor	1	
18	G000067-005012-00	螺钉M5×12 Screw M5×12	9	
19	G000093-000005-00	垫圈 5 Washer 5	9	
20	3E-704000	蓄电池正极引线 Cable, Battery(+)	1	
21	G0097P1-000005-00	垫圈 5 Washer 5	4	
22	AE310-704000-000	控制盒 Control box	1	见图 V See Fig. V
23	N163-420100-000	螺钉组件 Screw assembly	2	
24	JFT147-14B-G00	电子调节器 Voltage regulator	1	
25	R960-700300-000	起动机接地线 Ground cable	1	
26	G005783-008012-00	螺栓 M8×12 Bolt M8×12	1	
27	AE300-710000-000	车身主线束 Main wire-harness	1	
28	30DHB-100001	抱箍 anchor ear	2	
29	AE310-700001-000	油温传感器 Oil temperature sensor	1	
30	H24C2-40601-G00	控制盒 Control box	1	

图8 电气系统(感知系统)

Fig.8 Electrical system (OPS System)

Ⓜ) CPCD30/35/38-AW27 Ⓜ) CPCD20/25-AW27

Ⓜ) CPCD30/35-AW67 Ⓜ) CPCD20/25-AW67

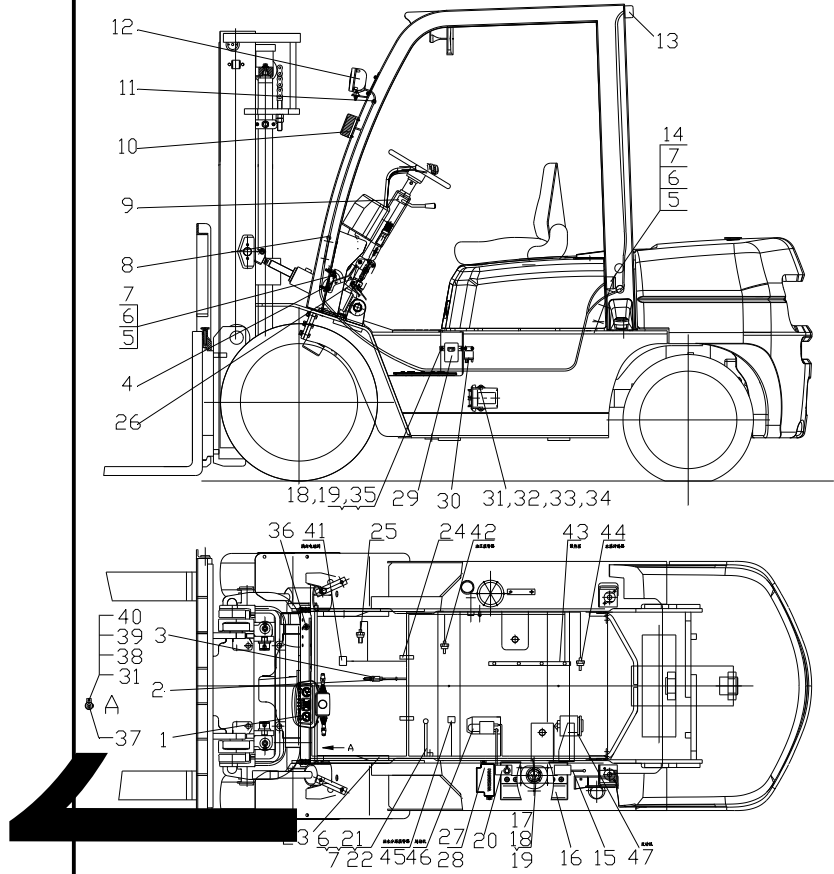
	序号 Item	物料码 Part No.	名称 Description	数量 Qty	备注或适用车型 Remarks or Serial No.
	1		仪表板总成 Dashboard assy	1	见图 I -1 See Fig. I -1
	2	PKD-50-G00	捆线带 Ties	5	
	3	N163-700600-000	制动灯开关 Brake lamp switch	1	
	4	N163-700009-000	喇叭 Horn	1	
	5	G0029P2-008016-00	螺栓 M8×16 Bolt M8×16	2	
	6	G000093-000008-00	垫圈8 Washer 8	3	
	7	G0097P1-000008-00	垫圈8 Washer 8	3	
	8	A300-700001-000	橡胶塞 Rubber plug	4	
	9	AE310-705000-000	组合开关 Combination switch assy	1	见图VI See Fig.VI
	10		前小灯 Front combination lamp	2	见图III See Fig.III
	11	N163-700002-000	前灯线护套 Front lamp wire sheath	2	
	12		前大灯总成 Head lamp-assy,	1	见图III See Fig.III
	13		后灯总成 Rear lamp-assy	1	见图IV See Fig. IV
	14	N163-700500-000	倒车蜂鸣器 Reverser alarm	1	
	15	3E-705000	蓄电池负极引线 Cable, Battery(-)	1	

图8 电气系统(感知系统)

Fig.8 Electrical system (OPS System)

Ⓜ) CPCD30/35/38-AW27 Ⓜ) CPCD20/25-AW27

Ⓜ) CPCD30/35-AW67 Ⓜ) CPCD20/25-AW67

序号 Item	物料码 Part No.	名称 Description	数量 Qty	备注或适用车型 Remarks or Serial No.
16	R960-700002-000	少维护蓄电池 Battery, Low-Maintenance	1	12V 90Ah
17	R960-700400-000	油量传感器 Fuel sensor	1	
18	G000067-005012-00	螺钉M5×12 Screw M5×12	9	
19	G000093-000005-00	垫圈 5 Washer 5	9	
20	30DH-701000	蓄电池正极引线 Cable, Battery(+)	1	
21	R960-700300-000	起动机接地线 Ground cable	1	
22	G005783-008016-00	螺栓 M8×16 Bolt M8×16	1	
23	A315-710000-900	车身主线束 Main wire-harness	1	
24	30DHB-100001	抱箍 anchor ear	2	
25	A310-710001-000	油温传感器 Oil temperature sensor	1	
26	NC9419-703000-800	手刹开关总成 Hand brake switch assy	1	见图VIII See Fig.VIII
27	A315-704000-900	控制盒 Control box	1	见图IX See Fig.IX
28	N163-420100-000	螺钉组件 Screw assy	2	
29	YD101-G00	预热定时器12V Preheating timer 12V	1	
30	N163-702200-000	预热继电器 Preheat relay		

图8 电气系统(感知系统)

Fig.8 Electrical system (OPS System)

Ⓜ CPCD30/35/38-AW27 Ⓜ CPCD20/25-AW27

Ⓜ CPCD30/35-AW67 Ⓜ CPCD20/25-AW67

序号 Item	物料码 Part No.	名称 Description	数量 Qty	备注或适用车型 Remarks or Serial No.
31	G0097P1-000006-00	垫圈 6 Washer 6	2	
32	G000093-000006-00	垫圈 6 Washer 6	2	
33	G005783-006025-00	螺栓 M6×25 Bolt M6×25	2	
34	R9321-700200-900	感知系统控制器 OPS system controller	1	
35	G0097P1-000006-00	垫圈 6 Washer 6	2	
36	A300-730000-500	电源总开关总成 disconnect switch assy	1	见图 VII See Fig. VII
37	R9321-700100-900	报警器 alarm	1	
38	G000096-000006-00	垫圈 6 Washer 6	1	
39	G006170-000006-00	螺母 M6 Nut M6	1	
40	G005783-006020-00	螺栓 M6×20 Bolt M6×20	1	
41		换向电磁阀 Reversing solenoid valve	1	见第一部分 变速箱 See Part I gearbox
42		油压报警器 Oil pressure alarm	1	发动机配 Supply by engine
43		预热塞 Glow plug	1	发动机配 Supply by engine
44	NC9321-700006-001	水温传感器 Water temp sensor	1	
45		油水分离报警 Water-oil separation alarm	1	发动机配 Supply by engine

图9 电气系统
Fig.9 Electrical system

- | | | | |
|---------------------|----------------------|-------------------|---------------------|
| ⓐ CPC30/35-AG51 | ⓐ CPC30/35-AG51-Z | ⓐ CPC30/35-AG52 | ⓐ CPC20/25-AG51 |
| ⓑ CPCD30/35-AG51 | ⓑ CPC30/35-AG51G-Z | ⓑ CPCD30/35-AG52 | ⓑ CPC20/25-AG52 |
| ⓒ CPCD30/35-AXG51 | ⓒ CPC30/35-AG69-Z | ⓒ CPCD30/35-AXG52 | ⓒ CPCD20/25-AG51 |
| ⓓ CPC30/35-AXG51 | ⓓ CPC30/35-AG69G-Z | ⓓ CPC30/35-AXG52 | ⓓ CPCD20/25-AG52 |
| ⓔ CPC30/35/38-AG65J | ⓔ CPCD30/35/38-AG65J | ⓔ CPC20/25-AG65J | ⓔ CPCD20/25-AG65J |
| ⓕ CPC30/35-AG65J-Z | ⓕ CPC30/35-AG65JG-Z | ⓕ CPC30/35-AXG65J | ⓕ CPCD30/35-AXG65J |
| ⓖ CPC20/25-AG69 | ⓖ CPC30/35/38-AG69 | ⓖ CPCD20/25-AG69 | ⓖ CPCD30/35/38-AG69 |

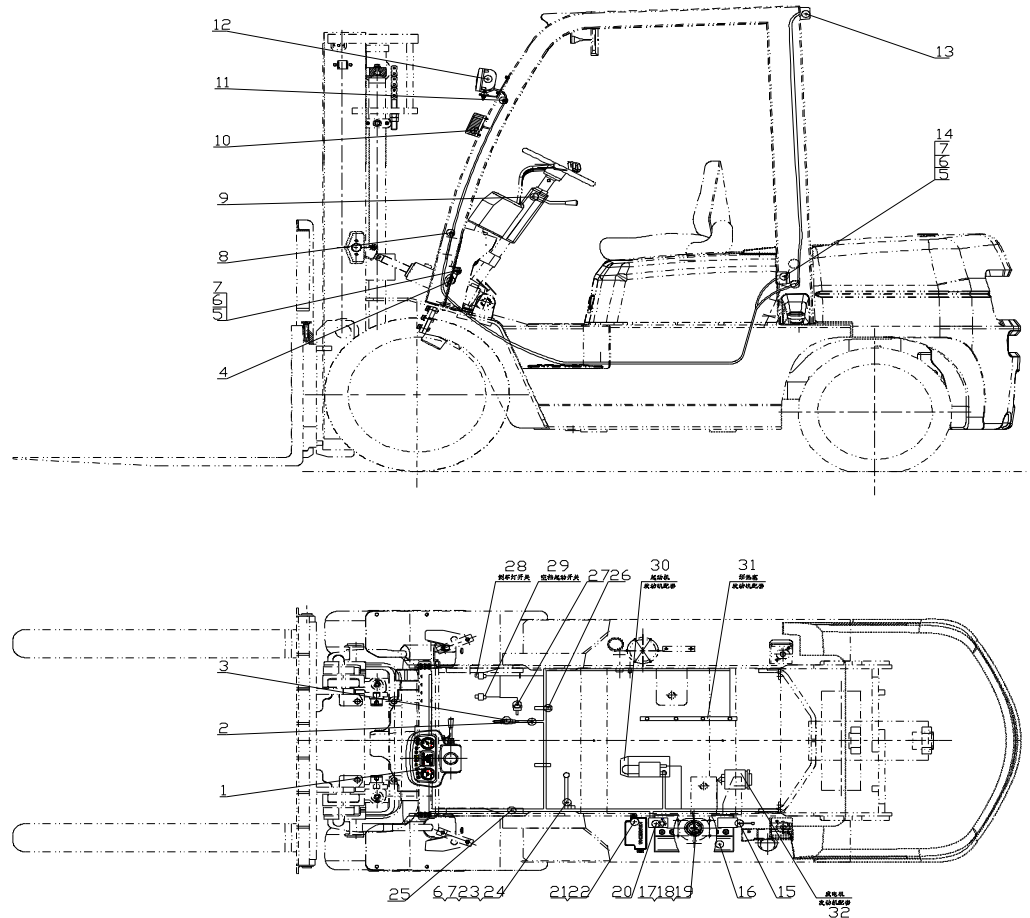
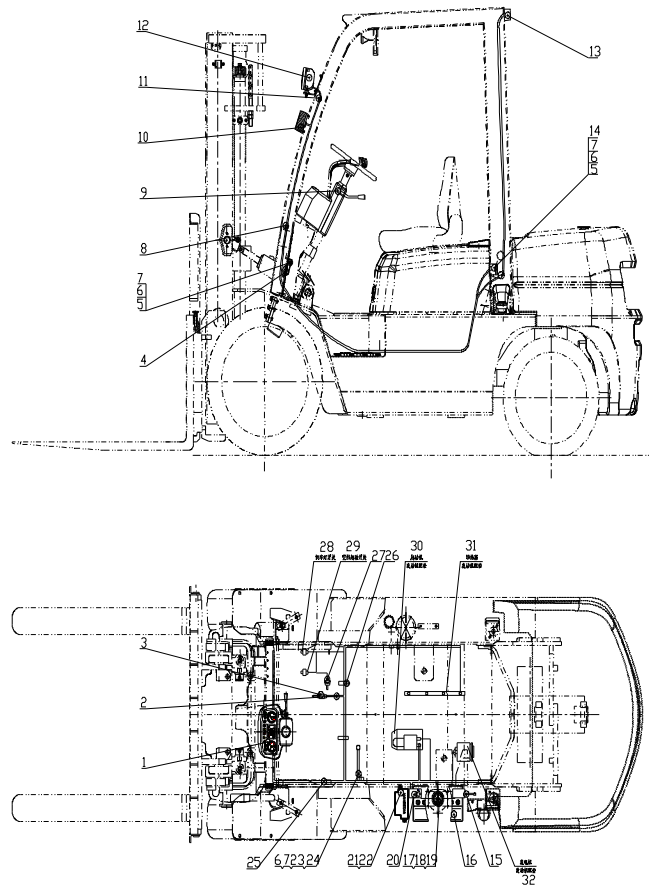


图9 电气系统
Fig.9 Electrical system

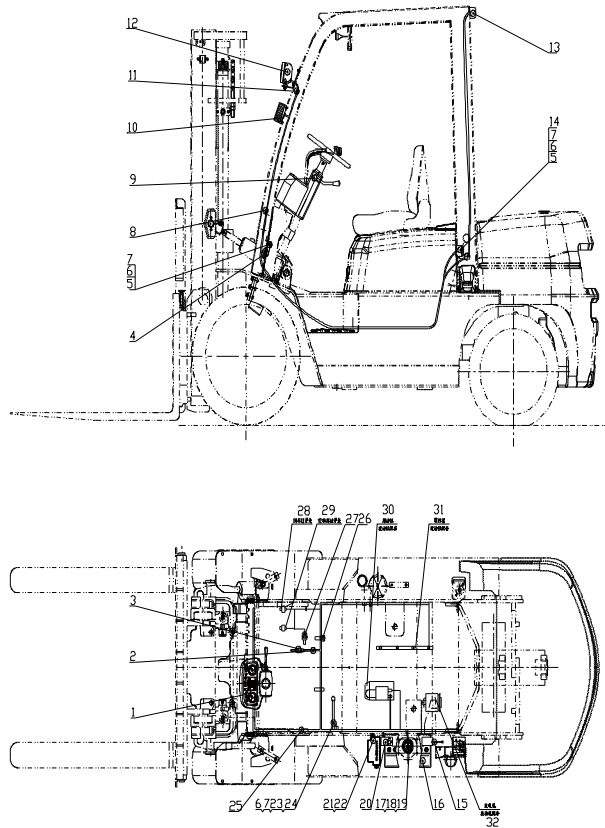
- | | | | |
|---------------------|-----------------------|--------------------|---------------------|
| ⓐ CPC30/35-AG51 | ⓐ CPC30/35-AG51-Z | ⓐ CPC30/35-AG52 | ⓐ CPC20/25-AG51 |
| ⓑ CPCD30/35-AG51 | ⓑ CPC30/35-AG51G-Z | ⓑ CPCD30/35-AG52 | ⓑ CPC20/25-AG52 |
| ⓒ CPCD30/35-AXG51 | ① CPC30/35-AG69-Z | ⓒ CPCD30/35-AXG52 | ⓐ1 CPCD20/25-AG51 |
| ⓓ CPC30/35-AXG51 | ② CPC30/35-AG69G-Z | ⓓ CPC30/35-AXG52 | ⓐ2 CPCD20/25-AG52 |
| ⓔ CPC30/35/38-AG65J | ⓔ1 CPCD30/35/38-AG65J | ⓔ CPC20/25-AG65J | ⓔ1 CPCD20/25-AG65J |
| ⓔ2 CPC30/35-AG65J-Z | ⓔ4 CPC30/35-AG65JG-Z | ⓔ6 CPC30/35-AXG65J | ⓔ3 CPCD30/35-AXG65J |
| ③ CPC20/25-AG69 | ④ CPC30/35/38-AG69 | ⑤ CPCD20/25-AG69 | ⑥ CPCD30/35/38-AG69 |



序号 Item	物料码 Part No.	名称 Description	数量 Qty	备注或适用车型 Remarks or Serial No.
1		仪表板总成 Dashboard assy	1	见图 I 或图 I -1 See Fig. I or Fig. I -1
2	PKD-50-G00	捆线带 Ties	8	
3	N163-700600-000	制动灯开关 Brake lamp switch	1	
4	N163-700009-000	喇叭 Horn	1	
5	G0029P2-008016-00	螺栓 M8×16 Bolt M8×16	2	
6	G000093-000008-00	垫圈8 Washer 8	3	
7	G0097P1-000008-00	垫圈8 Washer 8	3	
8	A300-700001-000	橡胶塞 Rubber plug	4	
9	FXK-700-G00	转向灯开关 steering lamp switch	1	
10		前小灯 Front combination lamp	2	见图III See Fig.III
11	N163-700002-000	前灯线护套 Front lamp wire sheath	2	
12		前大灯总成 Head lamp-assy,	1	见图III See Fig.III
13		后灯总成 Rear lamp-assy	1	见图IV See Fig. IV

图9 电气系统
Fig.9 Electrical system

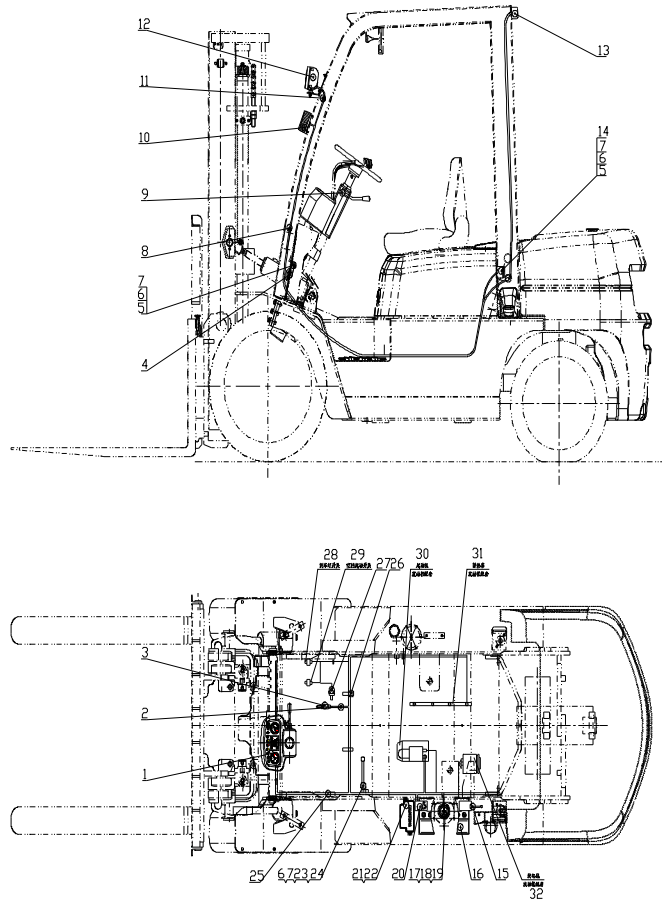
- ⓪ CPC30/35-AG51 Ⓜ CPC30/35-AG51-Z ⓐ CPC30/35-AG52 Ⓟ CPC20/25-AG51
- Ⓛ CPCD30/35-AG51 Ⓞ CPC30/35-AG51G-Z ⓑ CPCD30/35-AG52 Ⓠ CPC20/25-AG52
- Ⓝ CPCD30/35-AXG51 ① CPC30/35-AG69-Z ⓐ CPCD30/35-AXG52 Ⓟ CPCD20/25-AG51
- Ⓞ CPC30/35-AXG51 ② CPC30/35-AG69G-Z ⓑ CPC30/35-AXG52 Ⓠ CPCD20/25-AG52
- Ⓟ CPC30/35/38-AG65J Ⓡ CPCD30/35/38-AG65J Ⓢ CPC20/25-AG65J Ⓡ CPCD20/25-AG65J
- Ⓢ CPC30/35-AG65J-Z Ⓣ CPC30/35-AG65JG-Z Ⓣ CPC30/35-AXG65J Ⓢ CPCD30/35-AXG65J
- ③ CPC20/25-AG69 ④ CPC30/35/38-AG69 ⑤ CPCD20/25-AG69 ⑥ CPCD30/35/38-AG69



序号 Item	物料码 Part No.	名称 Description	数量 Qty	备注或适用车型 Remarks or Serial No.
14	N163-700500-000	倒车蜂鸣器 Reverser alarm	1	
15	3E-705000	蓄电池负极引线 Cable, Battery(-)	1	
16	R960-700002-000	少维护蓄电池 Low-Maintenance Battery,	1	12V 90Ah
17	G000067-005012-00	螺钉M5×12 Screw M5×12	7	
18	J000982-000005-00	垫圈 5 Washer 5	7	
19	R960-700400-000	油量传感器 Fuel sensor	1	
20	3E-704000	蓄电池正极引线 Cable, Battery(+)	1	
21	A309-704000-000	控制盒 Control box	1	除外 /Except Ⓜ Ⓞ Ⓟ Ⓡ Ⓢ Ⓣ Ⓡ Ⓢ Ⓣ Ⓢ Ⓡ Ⓢ Ⓣ Ⓢ Ⓡ Ⓢ Ⓣ Ⓢ 见图 V See Fig. V
21	A3011-704000-000	控制盒 Control box	1	Ⓟ Ⓡ Ⓢ Ⓣ Ⓡ Ⓢ Ⓣ Ⓢ Ⓡ Ⓢ Ⓣ Ⓢ Ⓡ Ⓢ Ⓣ Ⓢ
21	A309-705000-000	控制盒 Control box	1	Ⓜ Ⓞ 见图 V See Fig. V
22	N163-420100-000	螺钉组件 Screw	2	

图9 电气系统
Fig.9 Electrical system

- | | | | |
|-----------------------|-------------------------|----------------------|-----------------------|
| ⓪ CPC30/35-AG51 | ⓪② CPC30/35-AG51-Z | ⓪ CPC30/35-AG52 | ⓪ CPC20/25-AG51 |
| ⓪① CPCD30/35-AG51 | ⓪⑤ CPC30/35-AG51G-Z | ⓪① CPCD30/35-AG52 | ⓪ R CPC20/25-AG52 |
| ⓪③ CPCD30/35-AXG51 | ⓪① CPC30/35-AG69-Z | ⓪③ CPCD30/35-AXG52 | ⓪ P1 CPCD20/25-AG51 |
| ⓪④ CPC30/35-AXG51 | ⓪② CPC30/35-AG69G-Z | ⓪④ CPC30/35-AXG52 | ⓪ R1 CPCD20/25-AG52 |
| ⓪ U CPC30/35/38-AG65J | ⓪ U1 CPCD30/35/38-AG65J | ⓪ V CPC20/25-AG65J | ⓪ V1 CPCD20/25-AG65J |
| ⓪ U② CPC30/35-AG65J-Z | ⓪ U④ CPC30/35-AG65JG-Z | ⓪ U⑥ CPC30/35-AXG65J | ⓪ U③ CPCD30/35-AXG65J |
| ⓪③ CPC20/25-AG69 | ⓪④ CPC30/35/38-AG69 | ⓪⑤ CPCD20/25-AG69 | ⓪⑥ CPCD30/35/38-AG69 |



序号 Item	物料码 Part No.	名称 Description	数量 Qty	备注或适用车型 Remarks or Serial No.
23	R960-700300-000	起动机接地线 Ground cable	1	
24	G005783-008012-00	螺栓 M8×12 Bolt M8×12	1	
25	A309-710000-000	车身主线束 Main wire-harness	1	除外 /Except U U1 V V1 U2 U4 U6
25	A3011-710000-000	车身主线束 Main wire-harness	1	U U1 V V1 U2 U4 U6 U3 ① ② ③ ④ ⑤ ⑥
26	30DHB-100001	抱箍 anchor ear	2	⓪① ⓪ P1 ⓪ Q1 ⓪ R1 ⓪③ ⓪ Q3 ⓪ U1 ⓪ V1 ⓪ U3
27	A310-710001-000	油温传感器 Oil temperature sensor	1	⓪① ⓪ P1 ⓪ Q1 ⓪ R1 ⓪③ ⓪ Q3 ⓪ U1 ⓪ V1 ⓪ U3
28		倒车灯开关 Reversing light switch	1	见第一部分 变速箱 See Part I gearbox
29		空档起动开关 Neutral switch	1	见第一部分 变速箱 See Part I gearbox
30		起动机 Starter	1	发动机配 Supply by engine
31		预热塞 Start preheater assy	1	发动机配 Supply by engine
32		发电机 Alternator	1	发动机配 Supply by engine

图 10 电气系统
Fig.10 Electrical system

- | | | | |
|---------------------|-----------------------|------------------|--------------------|
| Ⓜ CPC30/35/38-AG70 | Ⓜ1 CPCD30/35/38-AG70 | ⓧ CPC20/25-AG70 | ⓧ1 CPCD20/25-AG70 |
| Ⓨ CPC30/35/38-AG70J | Ⓨ1 CPCD30/35/38-AG70J | Ⓩ CPC20/25-AG70J | Ⓩ1 CPCD20/25-AG70J |
| Ⓨ2 CPC30/35-AG70J-Z | Ⓨ3 CPC30/35-AG70JG-Z | | |

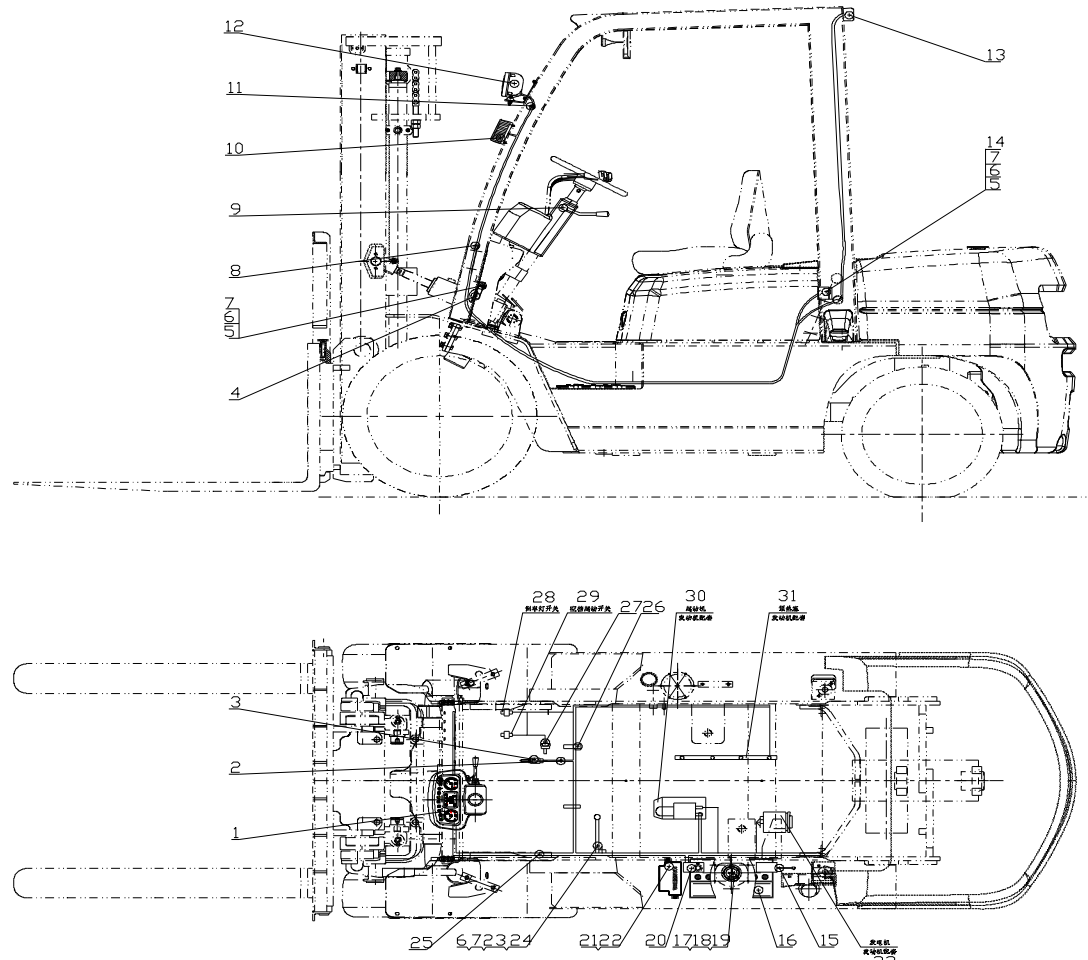
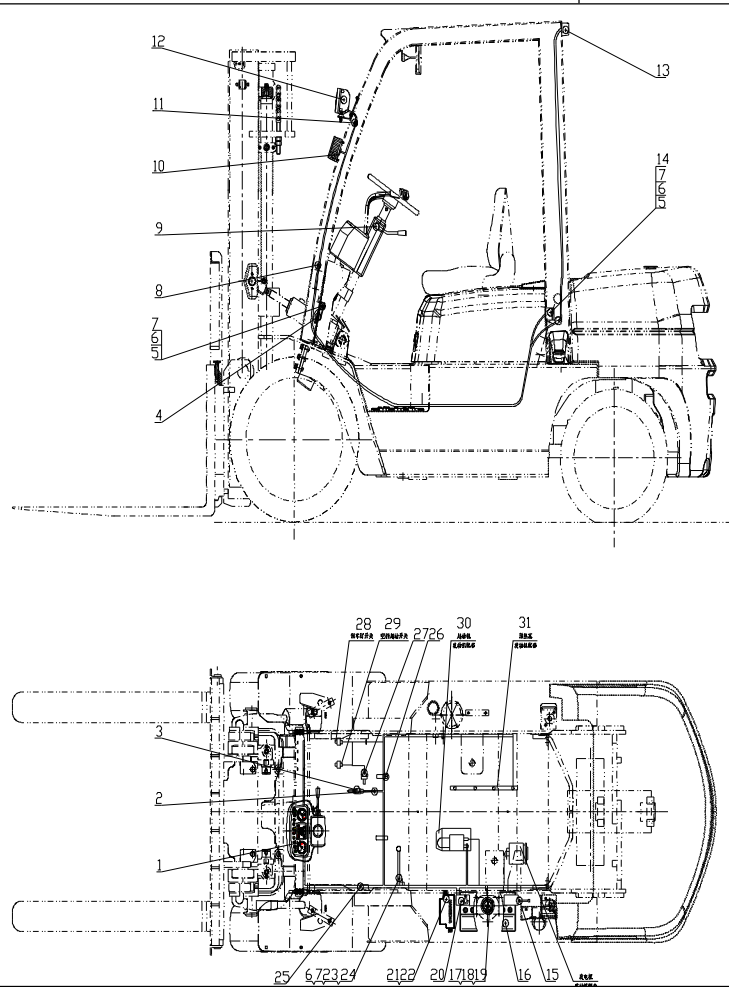


图 10 电气系统
Fig.10 Electrical system

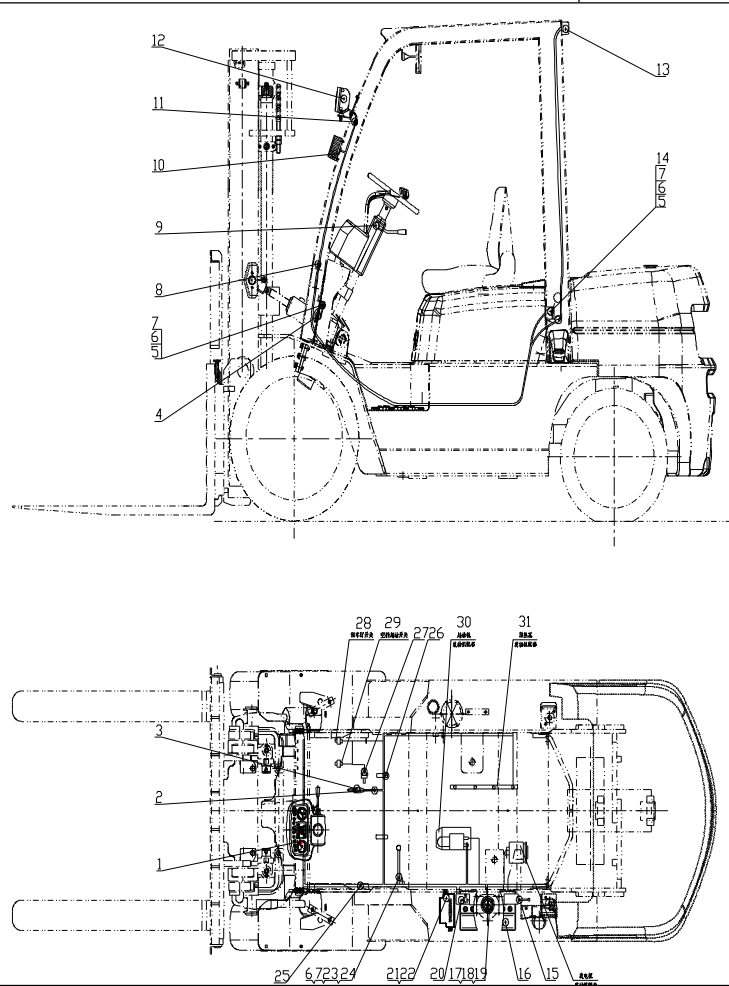
Ⓜ CPC30/35/38-AG70 Ⓜ CPCD30/35/38-AG70 ⓧ CPC20/25-AG70 ⓧ CPCD20/25-AG70
Ⓨ CPC30/35/38-AG70J Ⓨ CPCD30/35/38-AG70J Ⓩ CPC20/25-AG70J Ⓩ CPCD20/25-AG70J
Ⓨ² CPC30/35-AG70J-Z Ⓨ³ CPC30/35-AG70JG-Z



序号 Item	物料码 Part No.	名称 Description	数量 Qty	备注或适用车型 Remarks or Serial No.
1		仪表盘总成 Dashboard assy	1	见图 I -1 See Fig. I -1
2	PKD-50-G00	捆线带 Ties	8	
3	N163-700600-000	制动灯开关 Brake lamp switch	1	
4	N163-700009-000	喇叭 Horn	1	
5	G0029P2-008016-00	螺栓 M8×16 Bolt M8×16	2	
6	G000093-000008-00	垫圈 8 Washer 8	3	
7	G0097P1-000008-00	垫圈 8 Washer 8	3	
8	A300-700001-000	橡胶塞 Rubber plug	4	
9	FXK-700-G00	转向灯开关 steering lamp switch	1	
10		前小灯 Front combination lamp	2	见图III See Fig.III
11	N163-700002-000	前灯线护套 Front lamp wire sheath	2	
12		前大灯总成 Head lamp-assy,	1	见图III See Fig.III
13		后灯总成 Rear lamp-assy	1	见图IV See Fig. IV
14	N163-700500-000	倒车蜂鸣器 Reverser alarm	1	

图 10 电气系统
Fig.10 Electrical system

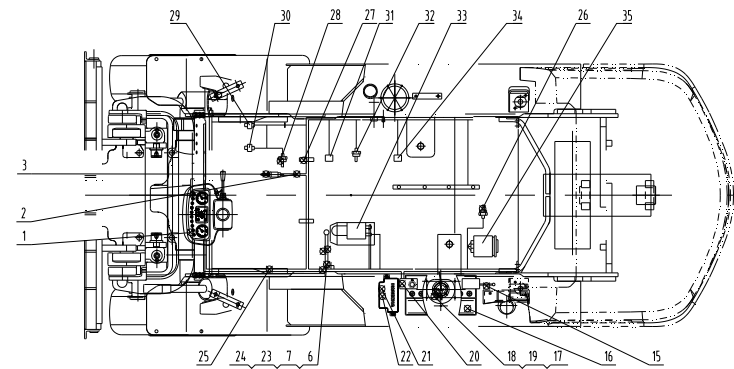
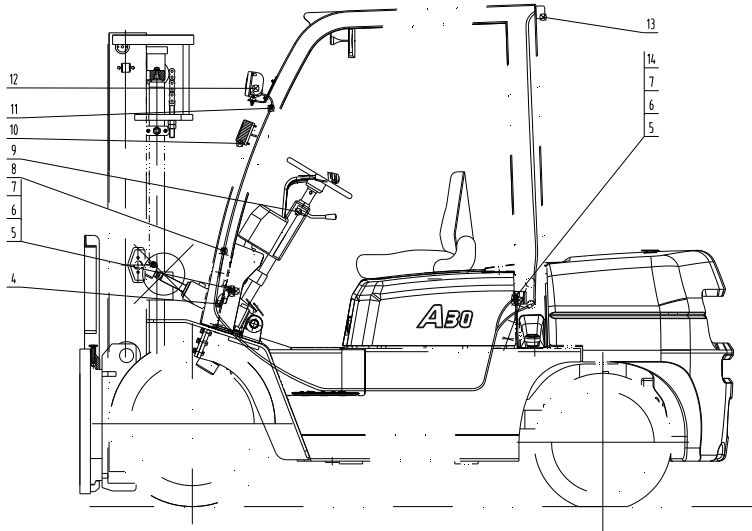
Ⓜ CPC30/35/38-AG70 Ⓜ1 CPCD30/35/38-AG70 ⓧ CPC20/25-AG70 ⓧ1 CPCD20/25-AG70
Ⓨ CPC30/35/38-AG70J Ⓨ1 CPCD30/35/38-AG70J Ⓩ CPC20/25-AG70J Ⓩ1 CPCD20/25-AG70J
Ⓨ2 CPC30/35-AG70J-Z Ⓨ3 CPC30/35-AG70JG-Z



序号 Item	物料码 Part No.	名称 Description	数量 Qty	备注或适用车型 Remarks or Serial No.
15	3E-705000	蓄电池负极引线 Cable, Battery(-)	1	
16	R960-700002-000	少维护蓄电池 Battery, Low-Maintenance	1	12V 90Ah
17	G000067-005012-00	螺钉 M5×12 Screw M5×12	7	
18	J000982-000005-00	垫圈 5 Washer 5	7	
19	R960-700400-000	油量传感器 Fuel sensor	1	
20	3E-704000	蓄电池正极引线 Cable, Battery(+)	1	
21	A3012-704000-000	控制盒 Control box	1	Ⓜ Ⓜ1 ⓧ ⓧ1 Ⓨ Ⓨ1 Ⓩ Ⓩ1
21	A3012-705000-000	控制盒 Control box	1	出租车专用 CPC30/35-AG70J (G) -Z
22	N163-420100-000	螺钉组件 Screw	2	
23	R960-700300-000	起动机接地线 Ground cable	1	
24	G005783-008012-00	螺栓 M8×12 Bolt M8×12	1	
25	A3012-710000-000	车身主线束 Main wire-harness	1	
26	30DHB-100001	抱箍 anchor ear	2	Ⓜ1 ⓧ1 Ⓨ1 Ⓩ1
27	A310-710001-000	油温传感器 Oil temperature sensor	1	Ⓜ1 ⓧ1 Ⓨ1 Ⓩ1

图 11 电气系统
Fig.11 Electrical system

⑦ CPCD20/25-AW55 ⑧ CPCD30/35/38-AW55



序号 Item	物料码 Part No.	名称 Description	数量 Qty	备注或适用车型 Remarks or Serial No.
1		仪表板总成 Dashboard assy	1	见图 I-1 See Fig. I-1
2	PKD-50-G00	捆线带 Ties	8	
3	N163-700600-000	制动灯开关 Brake lamp switch	1	
4	N163-700009-000	喇叭 Horn	1	
5	G0029P2-008016-00	螺栓 M8×16 Bolt M8×16	2	
6	G000093-000008-00	垫圈8 Washer 8	3	
7	G0097P1-000008-00	垫圈8 Washer 8	3	
8	A300-700001-000	橡胶塞 Rubber plug	4	
9	FXK-700-G00	转向灯开关 steering lamp switch	1	
10		前小灯 Front combination lamp	2	见图III See Fig.III
11	N163-700002-000	前灯线护套 Front lamp wire sheath	2	
12		前大灯总成 Head lamp-assy,	1	见图III See Fig.III
13		后灯总成 Rear lamp-assy	1	见图IV See Fig. IV
14	N163-700500-000	倒车蜂鸣器 Reverser alarm	1	
15	3E-705000	蓄电池负极引线 Cable, Battery(-)	1	

图 11 电气系统
Fig.11 Electrical system

⑦ CPCD20/25-AW55 ⑧ CPCD30/35/38-AW55

序号 Item	物料码 Part No.	名称 Description	数量 Qty	备注或适用车型 Remarks or Serial No.
16	R960-700002-000	少维护蓄电池 Battery, Low-Maintenance	1	12V 60Ah
17	R960-700400-000	油量传感器 Fuel sensor	1	
18	G000067-005012-00	螺钉M5×12 Screw M5×12	5	
19	G000093-000005-00	垫圈 5 Washer 5	5	
20	3E-704000	蓄电池正极引线 Cable, Battery(+)	1	
21	A300-704000-000	控制盒 Control box	1	见图 V See Fig. V
22	N163-420100-000	螺钉组件 Screw assy	2	
23	R960-700300-000	起动机接地线 Ground cable	1	
24	G005783-008012-00	螺栓 M8×12 Bolt M8×12	1	
25	A3119-710000-000	车身主线束 Main wire-harness	1	
26	NC9321-700006-001	水温传感器 Water temp sensor	1	
27	30DHB-100001	抱箍 anchor ear	2	
28	A310-710001-000	油温传感器 Oil temperature sensor	1	
29		倒车灯开关 Reversing light switch	1	见第一部分 变速箱 See Part I gearbox
30		空档起动开关 Neutral switch	1	见第一部分 变速箱 See Part I gearbox

第八部分 驾驶室目录
Part VIII Cab system contents

序号 Item	名称 Description	适用车型 Serial No.	页码 Page
图 1 Fig.1	驾驶室整体示意 Overall of cab	1.0t-3.8t	8-1
图 2 Fig. 2	整体框架系统 1 Overall frame system1	1.0t-3.8t	8-2
图 3 Fig. 3	整体框架系统 2 Overall frame system 2	1.0t-3.8t	8-5
图 4 Fig. 4	左侧门系统 Left door system	1.0t-3.8t	8-8
图 5 Fig. 5	右侧门系统 Right door system	1.0t-3.8t	8-10
图 6 Fig. 6	后窗系统 Rear windows system	1.0t-3.8t	8-12
图 7 Fig. 7	天窗系统 (选配) Skylight system (Optional)	1.0t-3.8t	8-16

图 1 驾驶室整体示意

Fig. 1 Overall of cab

1.0t-3.8t

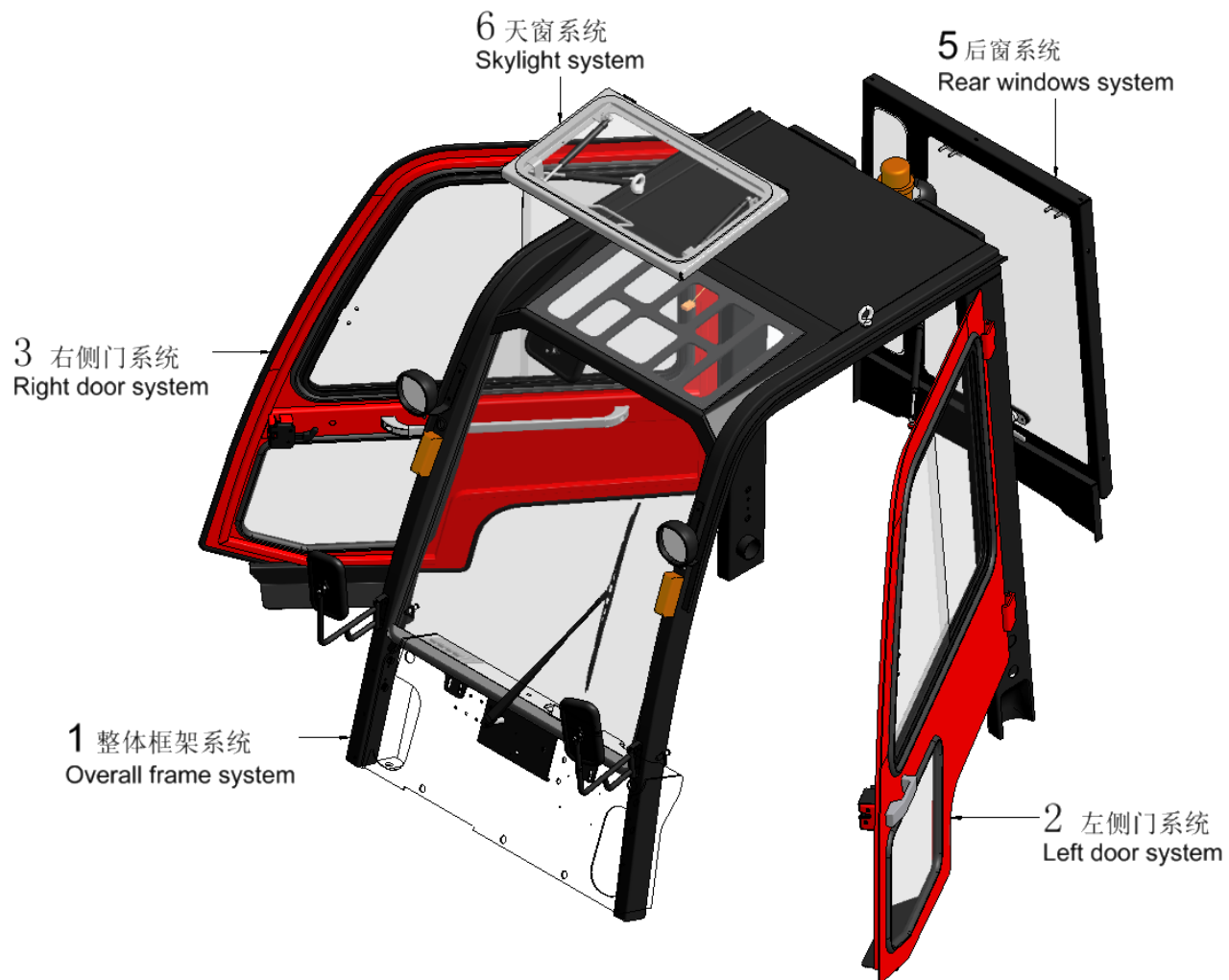


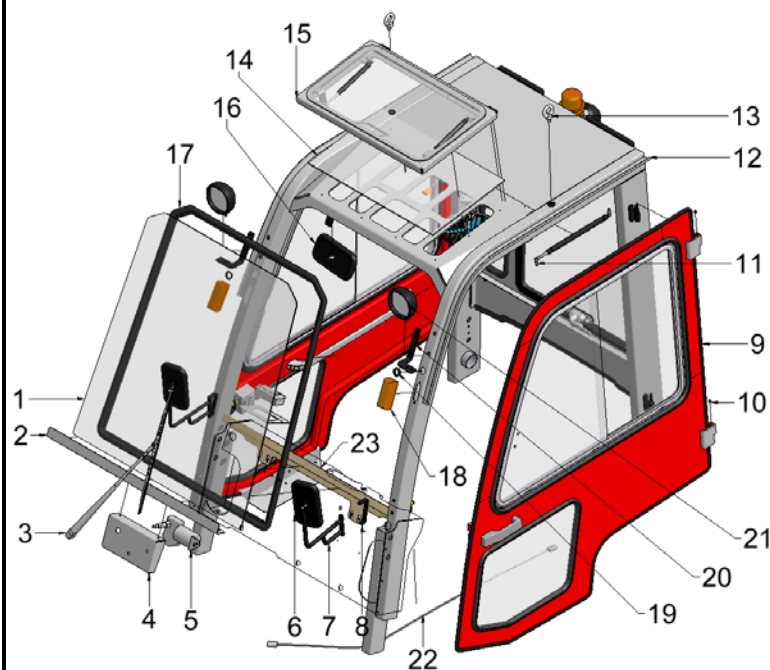
图2 整体框架系统 1
Fig.2 Overall frame system 1

1.0t-3.8t

序号 Item	物料码 Part No.	名称 Description	数量 Qty	备注或适用车型 Remarks or Serial No.
1	JA300-000001-G00	前挡风玻璃 Front windshield	1	
2	JA300-000500-000	前玻璃挡板总成 Front windows plate	1	
	GB818-M8x20	圆头十字槽螺丝 M8x20 Screw M8x20	2	
	GB93-87-M8	弹簧垫圈 M8 Spring pads M8	2	
	GB95-2002-8	Plain washers-Product grade C 8,平垫圈 C 级 8	2	
3	JR960A-001200-G00	前雨刮刷杆 Front wiper brush	1	
4	JXE850-000001-000	前窗压板 Front cover plate	1	
	GB818-M8x20	圆头十字槽螺丝 M8x20 Screw M8x20	2	
	GB93-87-M8	弹簧垫圈 M8 Spring pads M8	2	
	GB95-2002-8	Plain washers-Product grade C 8,平垫圈 C 级 8	2	
5	JR960A-001100-G00	前雨刮器电机 Front wiper assy	1	
	GB818-M6x18	圆头十字槽螺丝 M6x18 Screw M6x18	1	
	GB93-87-M6	弹簧垫圈 M6 Spring pads M6	1	
	GB95-2002-6	Plain washers-Product grade C 6,平垫圈 C 级 6	1	
6	30060-G00	后视镜 Rearview mirror	2	内销专用

图2 整体框架系统 1
Fig.2 Overall frame system 1

1.0t-3.8t



序号 Item	物料码 Part No.	名称 Description	数量 Qty	备注或适用车型 Remarks or Serial No.
7	JJP300-100800-000	观后视镜支架 Rearview mirror plate	2	内销专用
8	JJP300-100007-000	支板 plate	2	内销专用
	GB818-M6×18	圆头十字槽螺丝 M6×18 Screw M6×18	4	
	GB93-87-M6	弹簧垫圈 M6 Spring pads M6	4	
	GB95-2002-6	Plain washers-Product grade C 6,平垫圈 C 级 6	4	
9	JA300-200000-000	左侧门系统 Left door system	1	
10	GB1153-89-M6	油嘴 M6 Grease fitting M6	4	
11	YQL540-200-180N	气弹簧 Spring	2	
12	JA300-100000-000	框架总成 Frame assy	1	
13	GB 825 B M12	吊环螺丝 Eyebolt	2	
14	JA300-000003-G00	板-PVC Plate-pvc	1	标配专用
15	JA300-010000-000	天窗系统 Skylight system	1	选配天窗专用
	GB818-M6×18	圆头十字槽螺丝 M6×18 Screw M6×18	10	选配天窗专用
	GB93-87-M6	弹簧垫圈 M6 Spring pads M6	10	选配天窗专用
	GB95-2002-6	Plain washers-Product grade C 6,平垫圈 C 级 6	10	选配天窗专用

图2 整体框架系统 1
Fig.2 Overall frame system 1

1.0t-3.8t

序号 Item	物料码 Part No.	名称 Description	数量 Qty	备注或适用车型 Remarks or Serial No.
16	30060-G00	后视镜 Rearview mirror	1	
17	JXJ003-G00	前窗胶条 Front windows rubber pad	1	L=3500mm
18	A300-700100-001	转向灯 Cornering light	2	
19	N163-700002-000	灯线护套 Case	2	
20	A300-760002-000	左前灯架 Left headlight frame	1	
	GB818-M8x20	圆头十字槽螺丝 M8x20 Screw M8x20	2	
	GB93-87-M8	弹簧垫圈 M8 Spring pads M8	2	
	GB95-2002-8	Plain washers-Product grade C 8,平垫圈 C 级 8	2	
21	A300-760100-000	前大灯 Headlight	2	
22	A300-702000-500	驾驶室线束 Cab harness	1	
23	JA300-000600-000	前玻璃下挡板总成	1	

图3 整体框架系统 2
Fig.3 Overall frame system 2

1.0t-3.8t

序号 Item	物料码 Part No.	名称 Description	数量 Qty	备注或适用车型 Remarks or Serial No.
1	JA300-400000-000	后窗系统 Rear windows system	1	
	GB818-M6×18	圆头十字槽螺丝 M6×18 Screw M6×18	7	
	GB93-87-M6	弹簧垫圈 M6 Spring pads M6	7	
	GB95-2002-6	Plain washers-Product grade C 6,平垫圈 C 级 6	7	
2	N163-430004-000	拧紧螺丝 Screws	2	
3	JXJ004-G00-900	橡胶封条 Rubber seal	1	L=900mm
4	JA300-000200-000	后窗下挡板总成 Rear windows plate assy	1	
5	JXJ011-G00-340	3M 胶条 3M Rubber	2	L=340mm
6	JA300-000005-000	开关安装板 Switch plate	1	
	GB818-M6×18	圆头十字槽螺丝 M6×18 Screw M6×18	2	
	GB93-87-M6	弹簧垫圈 M6 Spring pads M6	2	
	GB95-2002-6	Plain washers-Product grade C 6,平垫圈 C 级 6	2	
7	JQKG-006-G00	开关 Switch	1	
8	XF250-800004-000	盖板 Plate	1	
	GB818-M5×18	圆头十字槽螺丝 M5×18 Screw M5×18	3	

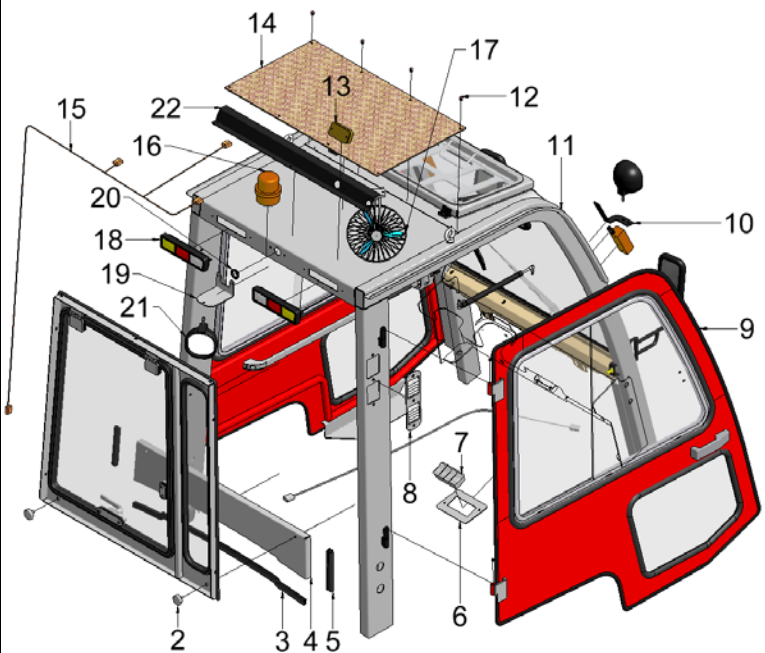


图3 整体框架系统 2
Fig.3 Overall frame system 2

1.0t-3.8t

序号 Item	物料码 Part No.	名称 Description	数量 Qty	备注或适用车型 Remarks or Serial No.
	GB93-87-M6	弹簧垫圈 M6 Spring pads M6	2	
	GB95-2002-6	Plain washers-Product grade C 6,平垫圈 C 级 6	2	
9	JA300-300000-000	右侧门系统 Right door system	1	
10	A300-760001-000	右前灯架 Right headlight frame	1	
	GB818-M8x20	圆头十字槽螺丝 M8x20 Screw M8x20	2	
	GB93-87-M8	弹簧垫圈 M8 Spring pads M8	2	
	GB95-2002-8	Plain washers-Product grade C 8,平垫圈 C 级 8	2	
11	JA300-100000-000	框架总成 Frame assy	1	
12	JFL01-002-G00	装饰扣 Decorative buckle	10	
13	JDD-1201L-G00	顶灯 Top light	1	
	GB818-M5x16	圆头十字槽螺丝 M5x16 Screw M5x16	2	
	GB93-87-M5	弹簧垫圈 M5 Spring pads M5	2	
	GB95-2002-5	Plain washers-Product grade C 5,平垫圈 C 级 5	2	
14	JA300-800050-G00	顶内饰板 Top trim panel	1	
15	A300-703000-500	驾驶室线束 Cab harness	1	

图3 整体框架系统 2
Fig.3 Overall frame system 2

1.0t-3.8t

序号 Item	物料码 Part No.	名称 Description	数量 Qty	备注或适用车型 Remarks or Serial No.
16	R960-707100-510	警灯 Alarm lamp	1	选配
17	JFS1201-G00	风扇 Fans	1	
	GB818-M5x16	圆头十字槽螺丝 M5x16 Screw M5x16	2	
	GB93-87-M5	弹簧垫圈 M5 Spring pads M5	2	
	GB95-2002-5	Plain washers-Product grade C 5,平垫圈 C 级 5	2	
18	A300-701300-500	尾灯总成 Taillight assy	2	
19	JA300-000011-000	警灯支架 Alarm lamp plate	1	选配
	GB818-M6x18	圆头十字槽螺丝 M6x18 Screw M6x18	2	
	GB93-87-M6	弹簧垫圈 M6 Spring pads M6	2	
	GB95-2002-6	Plain washers-Product grade C 6,平垫圈 C 级 6	2	
20	N163-700002-000	灯线护套 Case	1	
21	A300-760100-000	前大灯 Headlight	1	选配
22	JA300-000001-000	后上装饰板	1	

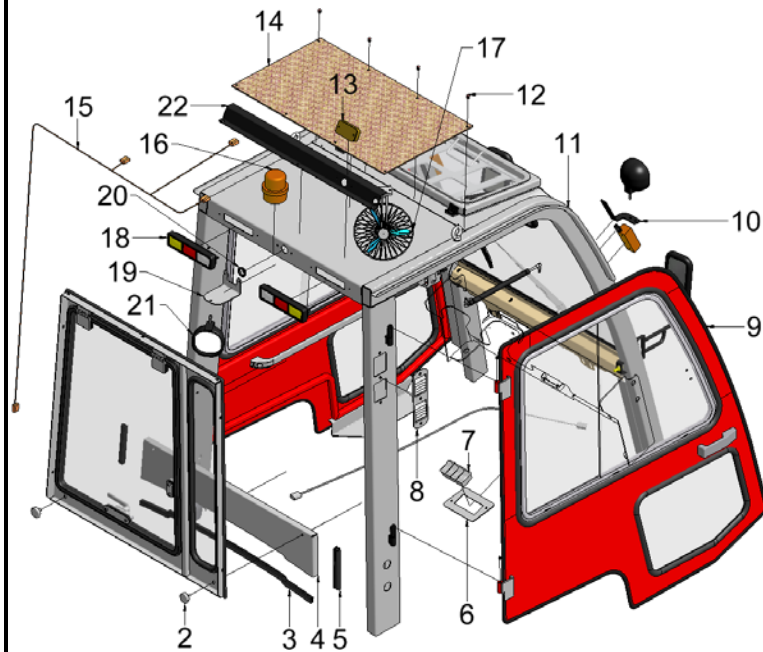
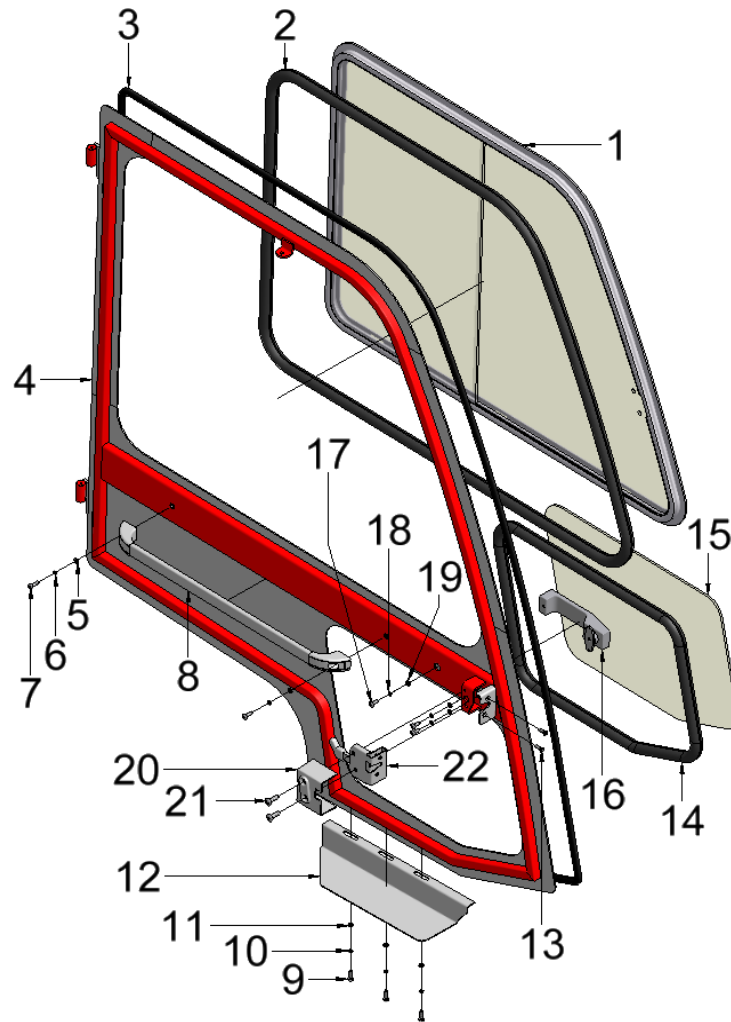


图4 左侧门系统
Fig.4 Left door System

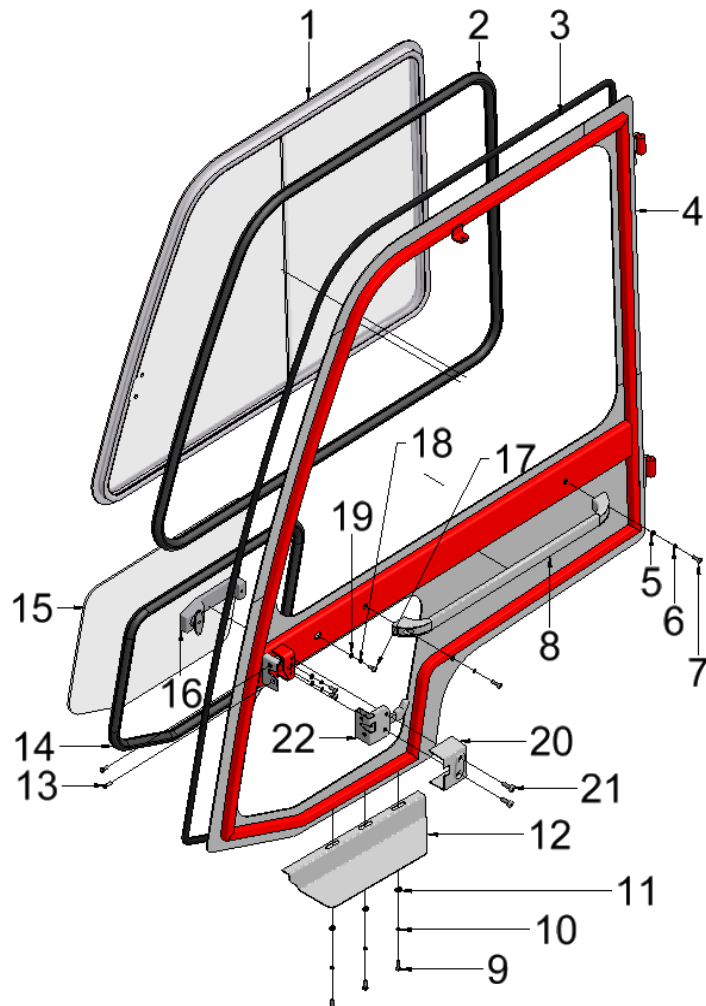
1.0t-3.8t



序号 Item	物料码 Part No.	名称 Description	数量 Qty	备注或适用车型 Remarks or Serial No.
1	JA300-220000-G00	铝窗总成(左) AL windows assy (Left)	1	
2	JXJ002-G00-3100	铝窗密封条 Seal rubber	1	L=3100mm
3	JXJ006-G00-4900	车门密封条 Seal rubber	1	L=4900mm
4	JA300-210000-000	左侧门框架 Left door frame	1	
5	GB95-2002-6	Plain washers-Product grade C 6,平垫圈 C 级 6	2	
6	GB93-87-M6	弹簧垫圈 M6 Spring pads M6	2	
7	GB818-M6x18	圆头十字槽螺丝 M6x18 Screw M6x18	2	
8	JMLS610-000-G00	门拉手 Door knob	1	
9	GB818-M6x18	圆头十字槽螺丝 M6x18 Screw M6x18	3	
10	GB93-87-M6	弹簧垫圈 M6 Spring pads M6	3	
11	GB95-2002-6	Plain washers-Product grade C 6,平垫圈 C 级 6	3	
12	JA150-000009-000	左踏板 Pedal left	1	1.0t-1.8t
	JA300-000009-000	左踏板 Pedal left	1	2.0t-3.8t
13	GB819.1-2000 M6X20	十字槽沉头螺丝 Screw M6x20	2	
14	JXJ002-G00-1700	铝窗密封条 Seal rubber	1	L=1700mm

图5 右侧门系统
Fig.5 Right door System

1.0t-3.8t



序号 Item	物料码 Part No.	名称 Description	数量 Qty	备注或适用车型 Remarks or Serial No.
1	JA300-320000-G00	铝窗总成(右) AL windows assy (Right)	1	
2	JXJ002-G00-3100	铝窗密封条 Seal rubber	1	L=3100mm
3	JXJ006-G00-4900	车门密封条 Seal rubber	1	L=4900mm
4	JA300-310000-000	右侧门框架 Right door frame	1	
5	GB95-2002-6	Plain washers-Product grade C 6,平垫圈 C 级 6	2	
6	GB93-87-M6	弹簧垫圈 M6 Spring pads M6	2	
7	GB818-M6x18	圆头十字槽螺丝 M6x18 Screw M6x18	2	
8	JMLS610-000-G00	门拉手 Door knob	1	
9	GB818-M6x18	圆头十字槽螺丝 M6x18 Screw M6x18	3	
10	GB93-87-M6	弹簧垫圈 M6 Spring pads M6	3	
11	GB95-2002-6	Plain washers-Product grade C 6,平垫圈 C 级 6	3	
12	JA150-000010-000	右踏板 Pedal right	1	1.0t-1.8t
	JA300-000010-000	右踏板 Pedal right	1	2.0t-3.8t
13	GB819.1-2000 M6X20	十字槽沉头螺丝 Screw M6x20	2	
14	JXJ002-G00-1700	铝窗密封条 Seal rubber	1	L=1700mm

图6 后窗系统
Fig.6 Rear windows system

1.0t-3.8t

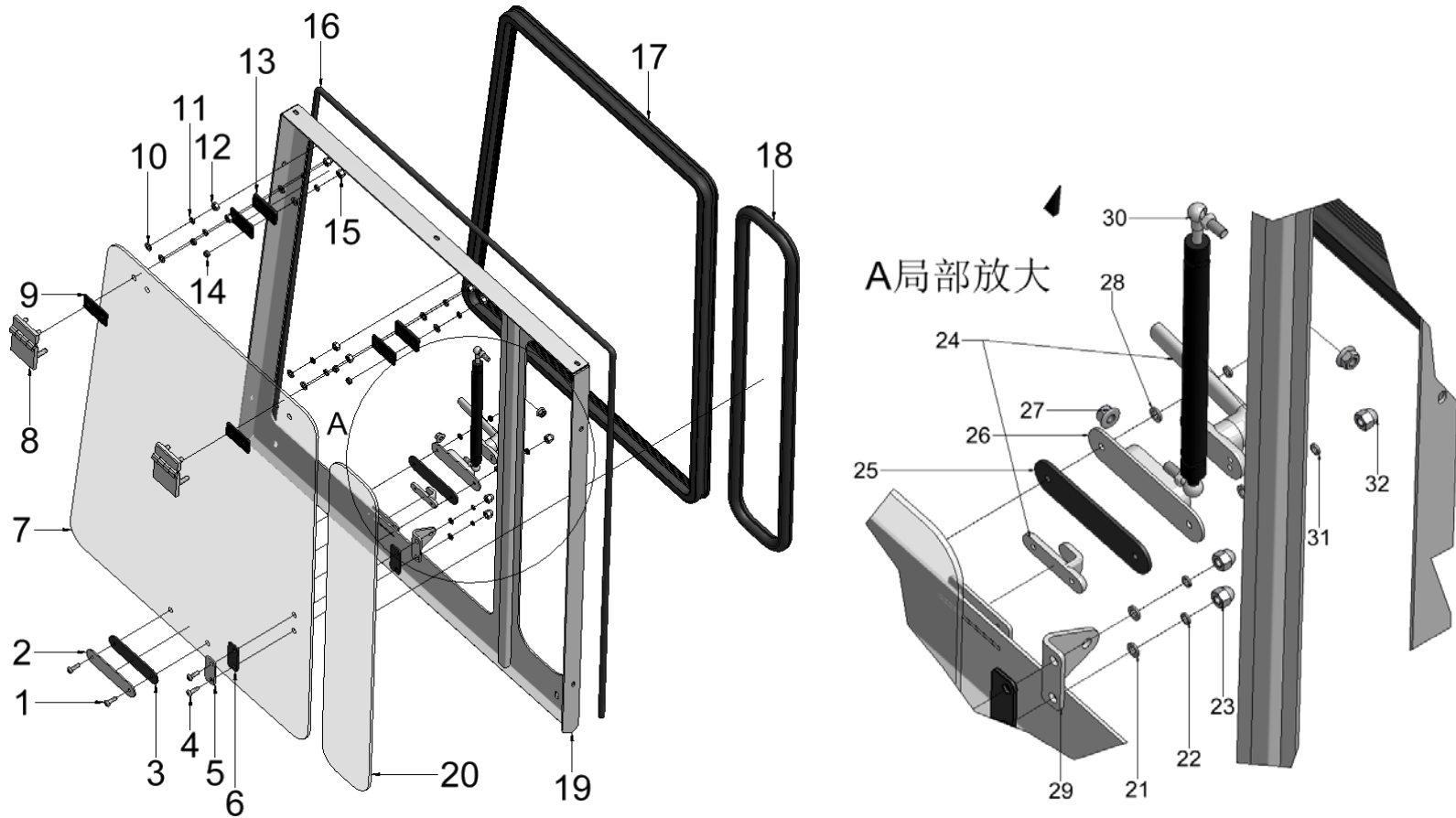
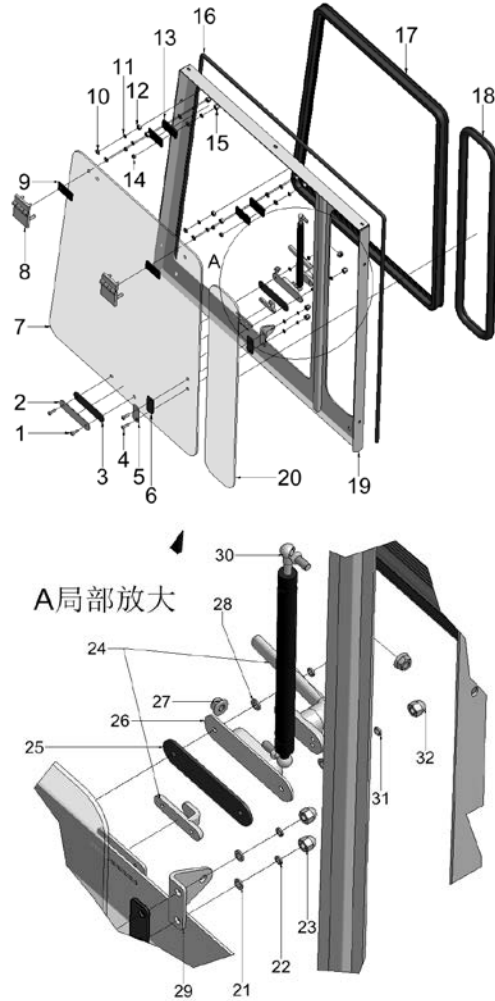


图6 后窗系统
Fig.6 Rear windows system

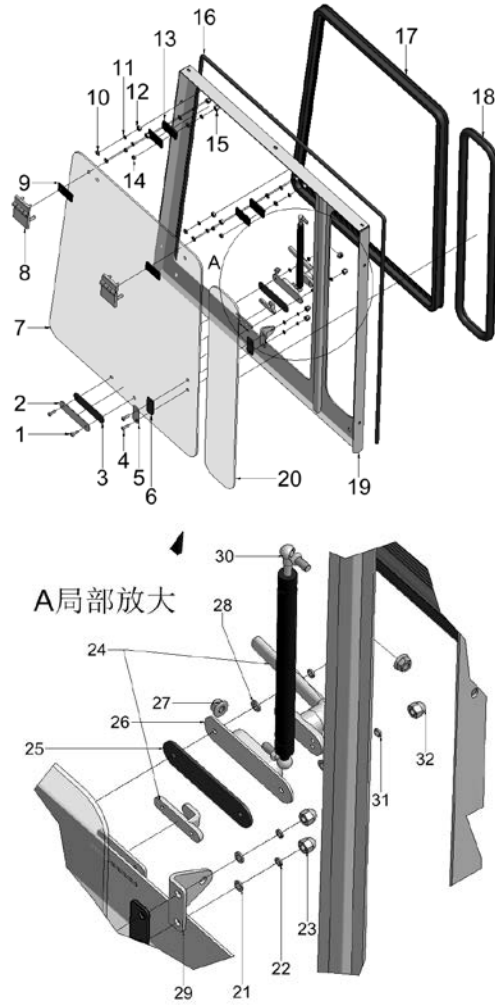
1.0t-3.8t



序号 Item	物料码 Part No.	名称 Description	数量 Qty	备注或适用车型 Remarks or Serial No.
1	GB 818-85 - M6 x 20	十字槽盘头螺钉 M6x20 Screw M6x20	2	
2	JR960-000020-000	垫板 Plate	1	
3	JR960-000019-000	橡胶垫 Rubber mat	1	
4	GB 818-85 - M6 x 20	十字槽盘头螺钉 M6x20 Screw M6x20	2	
5	JX700-400002-000	气弹簧垫块 Spring pads	1	
6	JXJ030-G00	橡胶垫 Rubber mat	2	
7	JA300-000002-G00	后玻璃 Rear glass	1	
8	JCJL-020-G00	后窗铰链 Rear window hinge	2	
9	JXJ028-G00	橡胶垫 Rubber mat	4	
10	GB95-2002-8	Plain washers-Product grade C 8,平垫圈 C 级 8	8	
11	GB93-87-M8	弹簧垫圈 M8 Spring pads M8	8	
12	GB6170-86-M8	螺母 M8 Nut M8	4	
13	JXF250-000005-000	垫板 Plate	2	
14	JFJ-005-G00	橡胶保护套管 Rubber tube	4	
15	GB 802-88 - M8	帽螺母 M8 Nut M8	4	

图6 后窗系统
Fig.6 Rear windows system

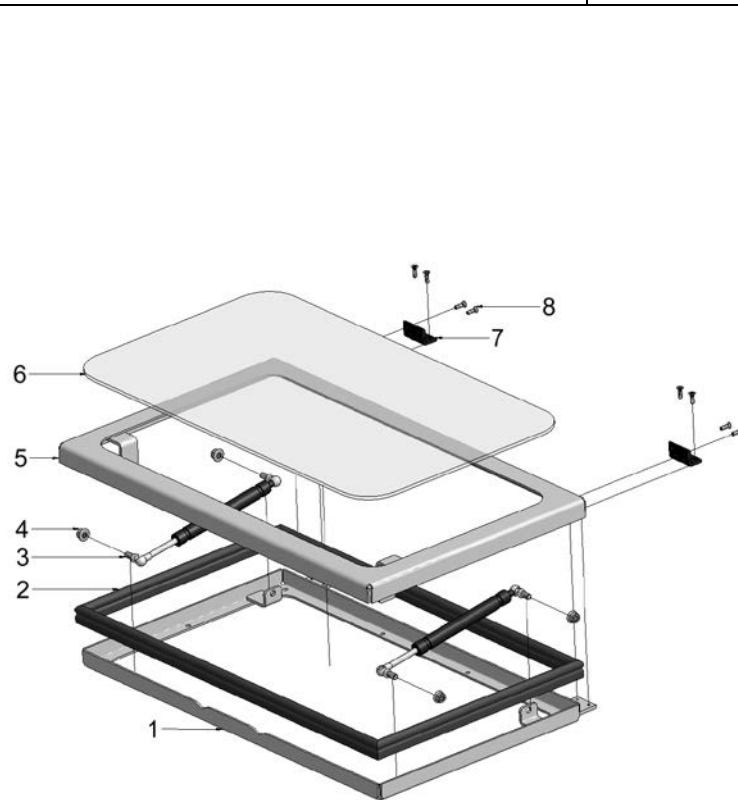
1.0t-3.8t



序号 Item	物料码 Part No.	名称 Description	数量 Qty	备注或适用车型 Remarks or Serial No.
16	JXJ018-G00-2650	橡胶条 Rubber	1	L=2650mm
17	JXJ004-G00-2680	后窗胶条 Rear windows rubber pad	1	L=2680mm
18	JXJ004-G00-1800	后窗胶条 Rear windows rubber pad	1	L=1800mm
19	JA300-410000-000	后窗框架 Rear frame	1	
20	JA300-000004-G00	侧玻璃 Side windows	1	
21	GB95-2002-6	Plain washers-Product grade C 6,平垫圈 C 级 6	2	
22	GB93-87-M6	弹簧垫圈 M6 Spring pads M6	2	
23	GB 802-88 - M6	帽螺母 M6 Nut M6	2	
24	JCS-003-G00	后窗把手 The window handle	1	图上两部件组成一套
	GB/T818-M4x8	圆头十字槽螺丝 M4x8 Screw M4x8	6	
25	JR960-000019-000	橡胶垫 Rubber mat	1	
26	JR960-004000-000	后窗把手座 The window handle plate	1	
27	GB6187.1-M8	锁紧螺母 Lock nuts	2	
28	GB95-2002-6	Plain washers-Product grade C 6,平垫圈 C 级 6	2	

图7 天窗系统（选配）
Fig.7 Skylight system (optional)

1.0t-3.8t



序号 Item	物料码 Part No.	名称 Description	数量 Qty	备注或适用车型 Remarks or Serial No.
1	JA300-000400-000	天窗底座 Skylight base	1	
2	JXJ004-G00-2000	橡胶封条 Rubber seal	1	L=2000mm
3	YQL270-100-300N	气弹簧 Spring	2	
4	GB 6187.1 M8	锁紧螺母 M8 Nut M8	4	
5	JA300-000300-000	天窗盖总成 Skylight cap	1	
6	JA300-000003-G01	天窗玻璃 Top glass	1	
7	JCJL-020-G00	后窗铰链 Hinge	2	
8	GB 819.1-M5×10	十字槽沉头螺钉 M5×10 Screw M5×10	8	